

4 DETAIL @ PRECAST CONC. BAND SCALE: 3/4"=1'-0"

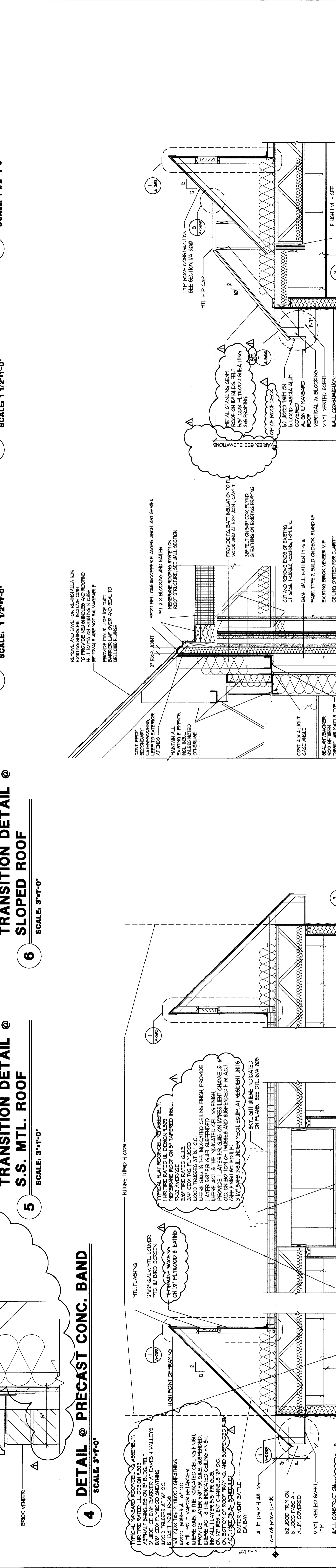
5 TRANSITION DETAIL @ S.S. MTL. ROOF SCALE: 3/4"=1'-0"

6 TRANSITION DETAIL @ SLOPED ROOF SCALE: 3/4"=1'-0"

7 EAVE DETAIL SCALE: 1/2"=1'-0"

8 ROOF EDGE DETAIL SCALE: 1/2"=1'-0"

9 RIDGE CREST DETAIL SCALE: 1/2"=1'-0"

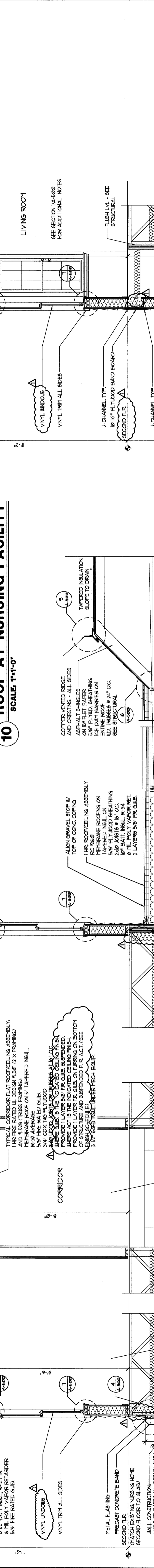


10 ROOF AT NURSING FACILITY SCALE: 1/4"=1'-0"

11 TYP. WALL SECTION AT BRICK BASE SCALE: 1/2"=1'-0"

12 ENTRANCE VESTIBULE SECTION SCALE: 1/2"=1'-0"

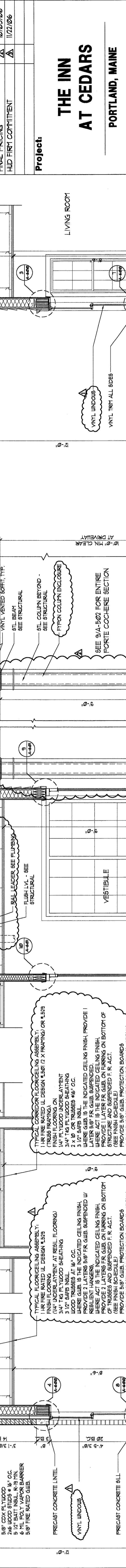
13 TYP. SECTION AT BAY SCALE: 1/2"=1'-0"



14 TYP. WALL SECTION AT BRICK BASE SCALE: 1/2"=1'-0"

15 ENTRANCE VESTIBULE SECTION SCALE: 1/2"=1'-0"

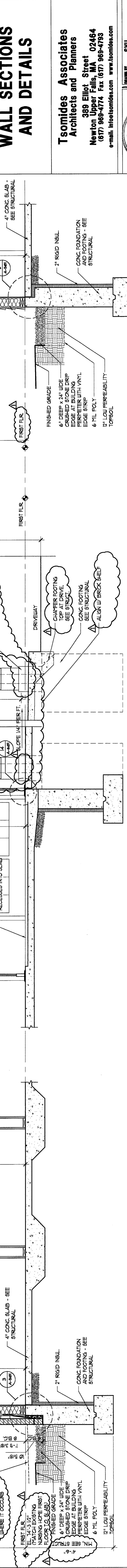
16 TYP. SECTION AT BAY SCALE: 1/2"=1'-0"



17 TYP. WALL SECTION AT BRICK BASE SCALE: 1/2"=1'-0"

18 ENTRANCE VESTIBULE SECTION SCALE: 1/2"=1'-0"

19 TYP. SECTION AT BAY SCALE: 1/2"=1'-0"



20 TYP. WALL SECTION AT BRICK BASE SCALE: 1/2"=1'-0"

21 ENTRANCE VESTIBULE SECTION SCALE: 1/2"=1'-0"

22 TYP. SECTION AT BAY SCALE: 1/2"=1'-0"

NO.	DATE
1	03/20/06
2	10/05/06
3	11/22/06

Project: THE INN AT CEDARS PORTLAND, MAINE

Drawing Title: WALL SECTIONS AND DETAILS

Tsomides Associates Architects and Planners
389 Elliot Street
Newton Upper Falls, MA 02464
(617) 969-1774 Fax (617) 969-4793
e-mail: info@tsomides.com www.tsomides.com

REVISIONS: AS NOTED

STATE OF MAINE

Professional Seal: TSOMIDES ASSOCIATES ARCHITECTS AND PLANNERS

A-500