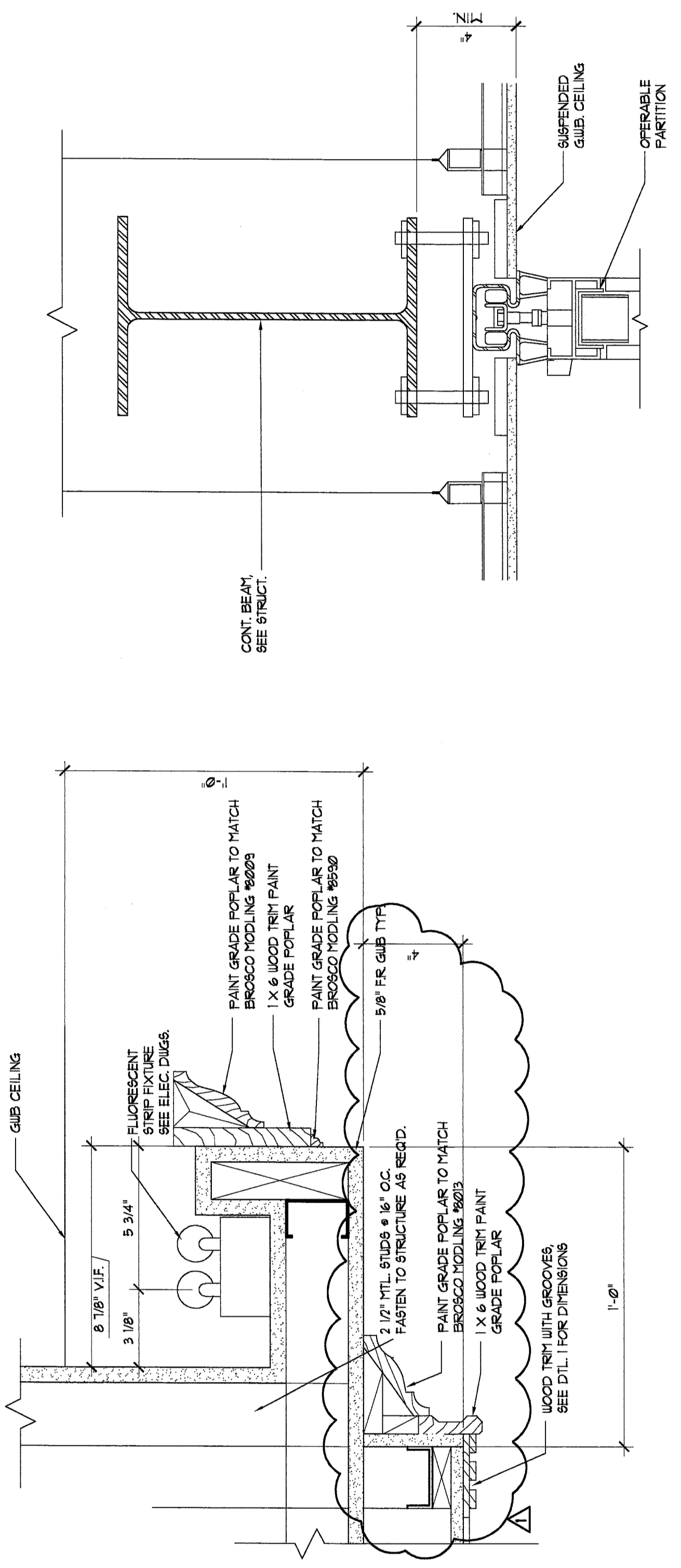


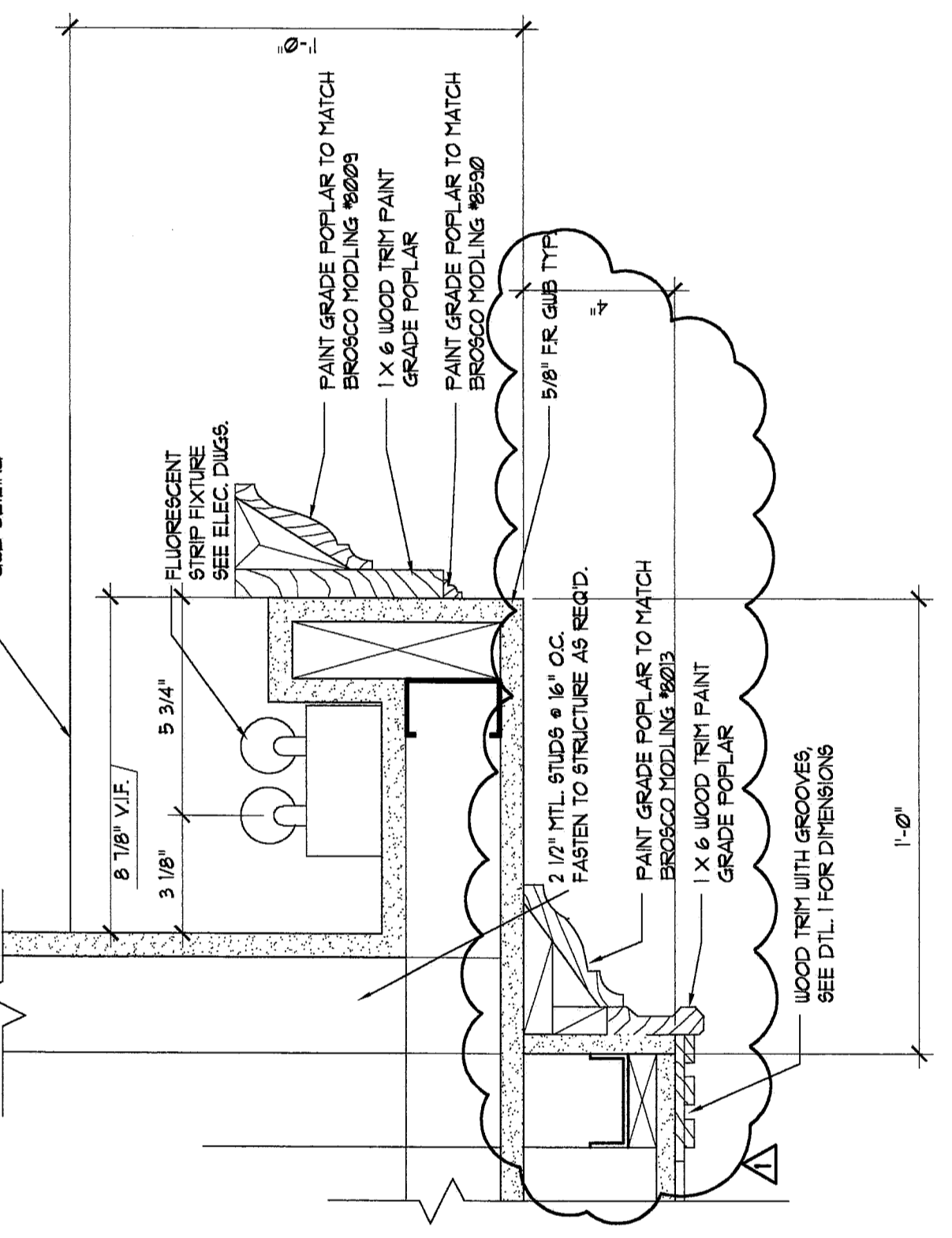
**5 ACCORDIAN PARTITION
CEILING TRACK**

SCALE: 3/4\"/>



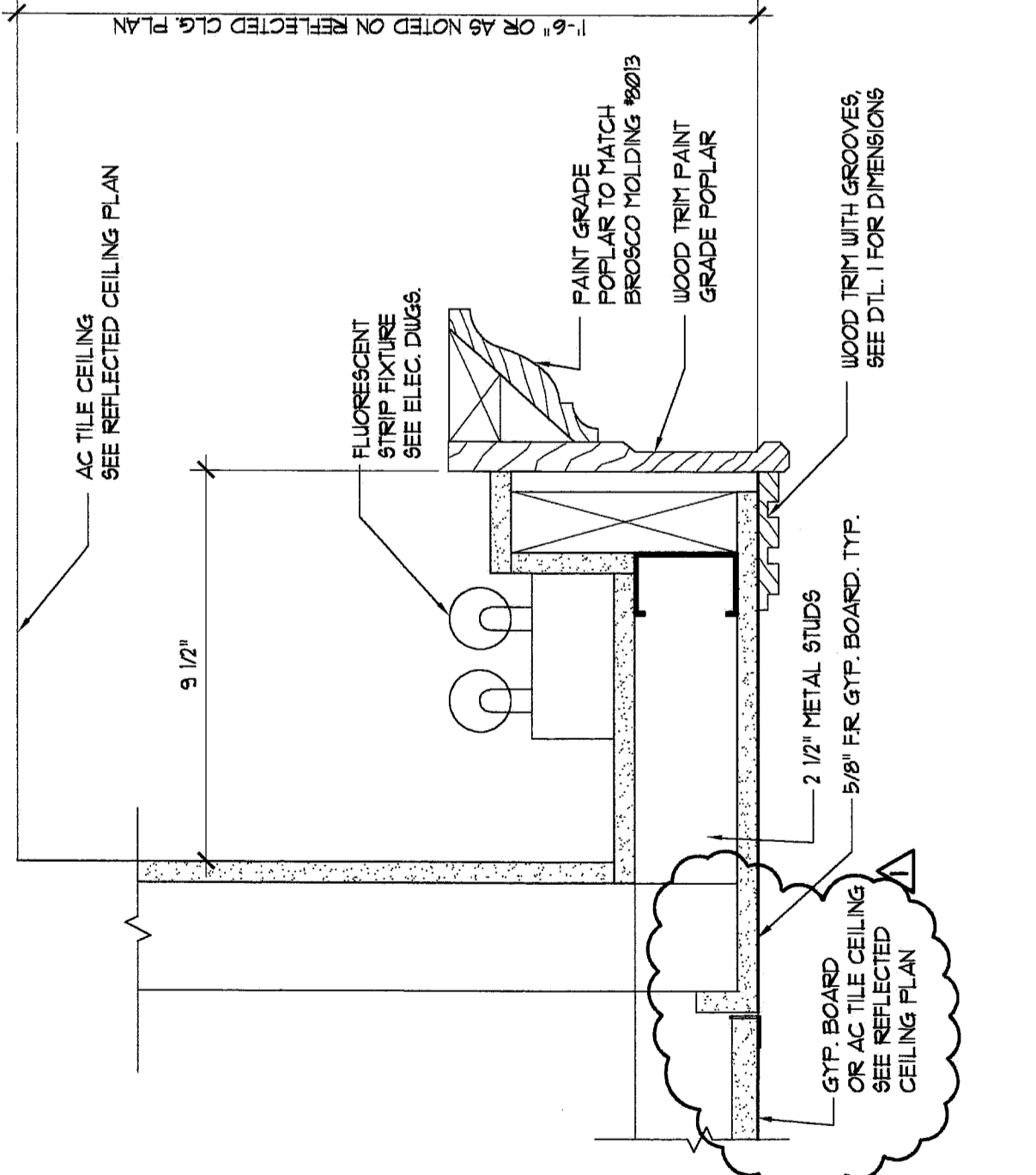
**4 OPERABLE PARTITION
CEILING TRACK**

SCALE: 3/4\"/>



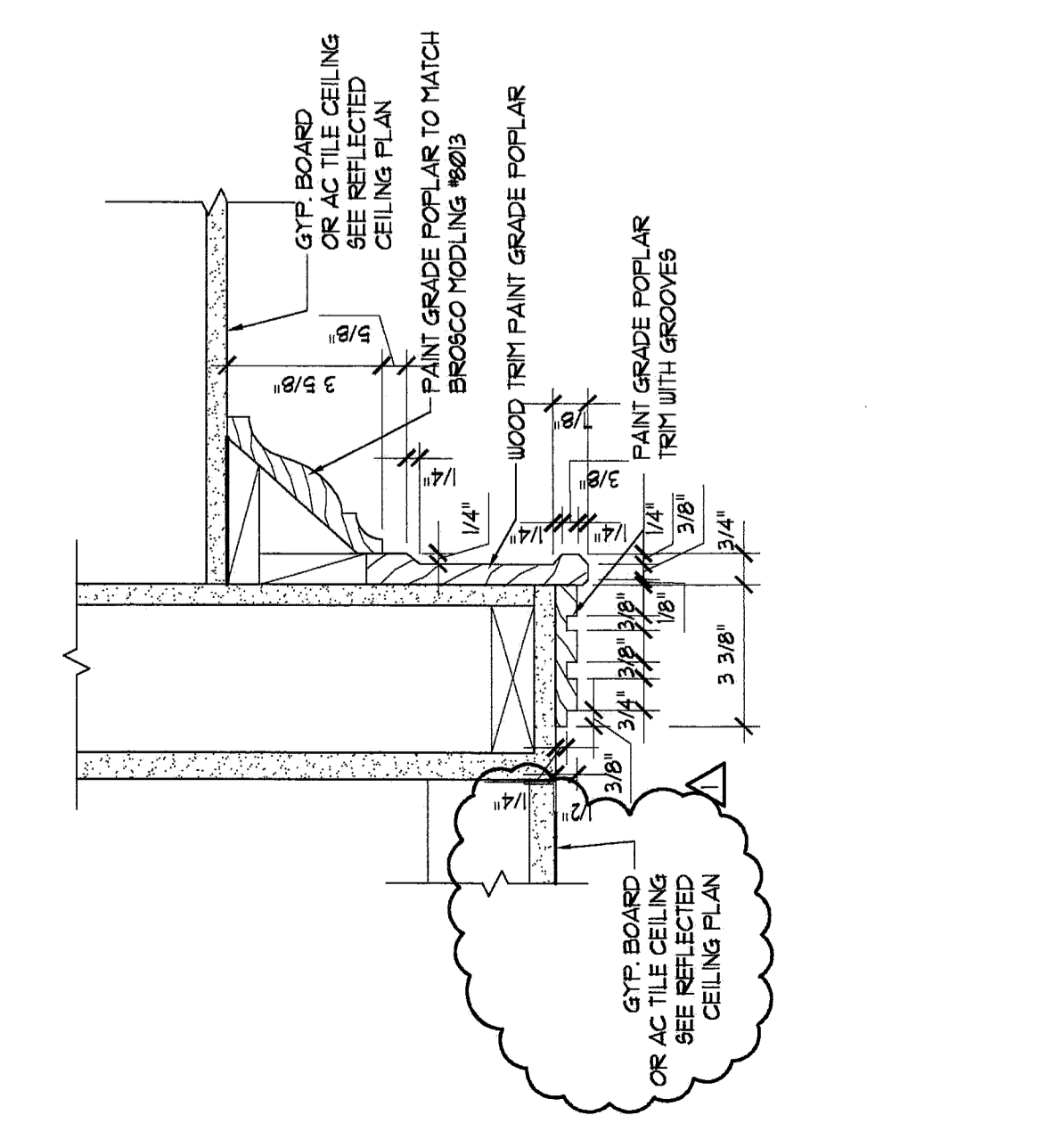
3 RAISED SOFFIT LIGHTING DETAIL

SCALE: 3/4\"/>



2 SOFFIT LIGHTING DETAIL

SCALE: 3/4\"/>



1 RAISED SOFFIT DETAIL

SCALE: 3/4\"/>

SYMBOLS

- 2x4 FLUORESCENT FIXTURE RECESSED OR SURFACE
- 2x2 FLUORESCENT FIXTURE RECESSED OR SURFACE
- 1x4 RECESSED FLUORESCENT FIXTURE
- 1x4 FLUORESCENT FIXTURE RECESSED OR SURFACE
- SURFACE MTD./PENDANT FIXTURE
- RECESSED CAN
- WALL SCOFF
- STRIP FLUORESCENT FIXTURE
- PENDANT FIXTURE
- EXIT LIGHT - WALL MOUNTED
- GRID
- ACT

REVISION

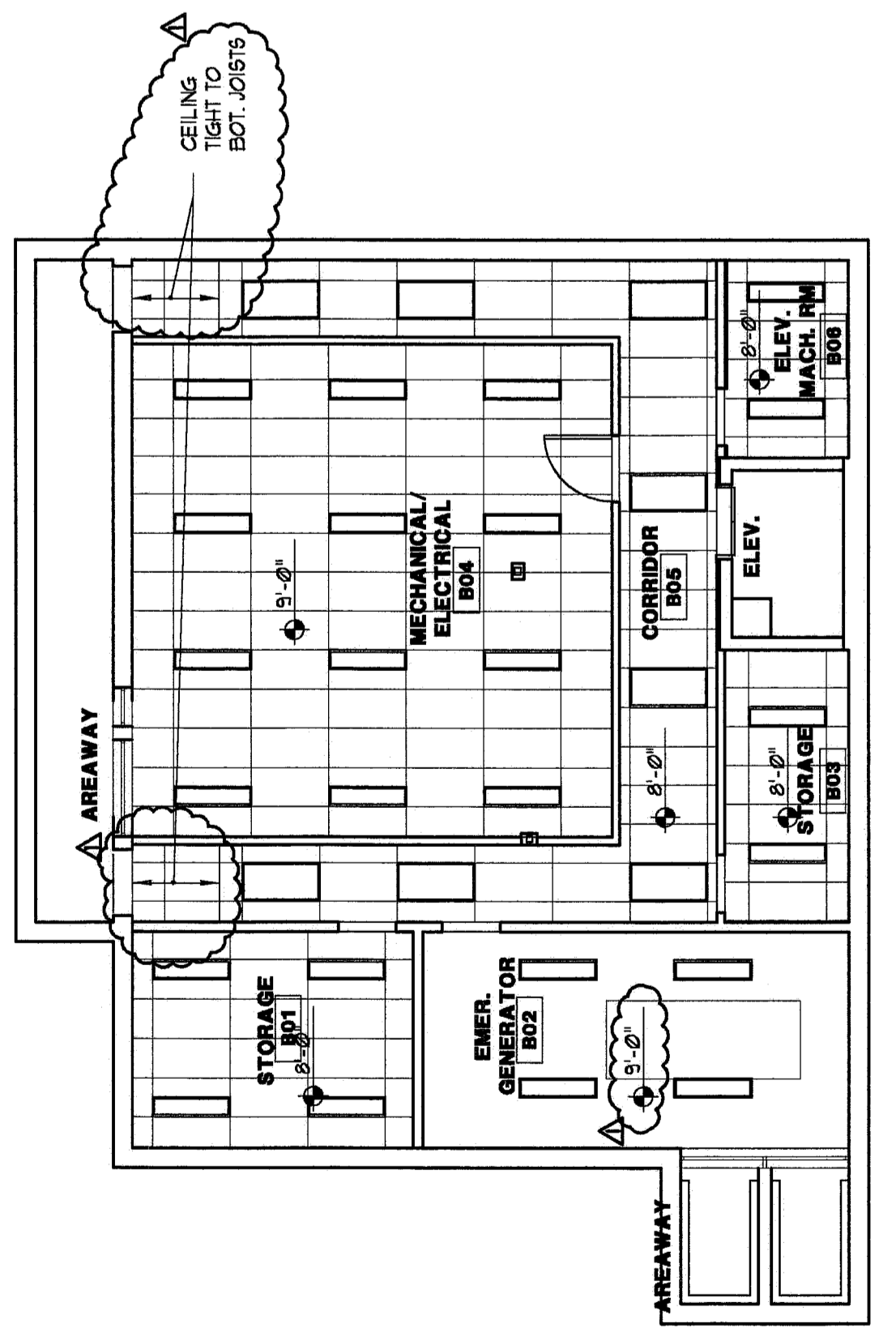
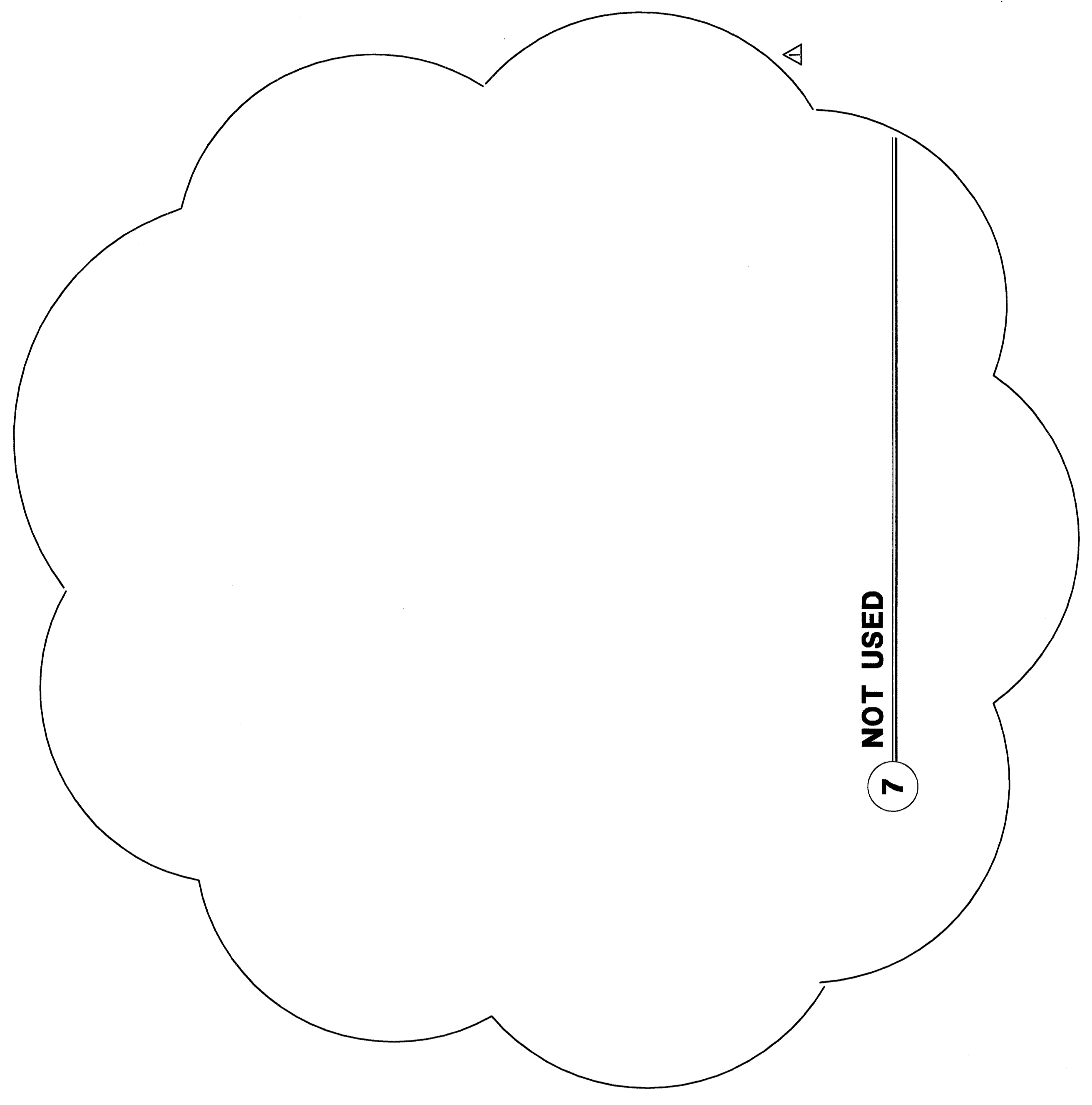
No.	Date
Δ	03/20/06
Δ	10/05/06
Δ	11/22/06

Project
**THE INN
 AT CEDARS**
 PORTLAND, MAINE

Drawing Title
**BSMT. REFLECTED
 CEILING PLANS**

**Tsomides Associates
 Architects and Planners**
 389 Elliot Street
 Newton Upper Falls, MA 02464
 (617) 889-4774 Fax: (617) 889-4795
 e-mail: info@tsomides.com www.tsomides.com

NEW HAMPSHIRE REGISTERED ARCHITECT
 STATE SEAL
 REVISED 08/24/05 BID SET
 DATE 1/9" x 11" 0"
A-300



6 BASEMENT RCP

SCALE: 1/8\"/>

