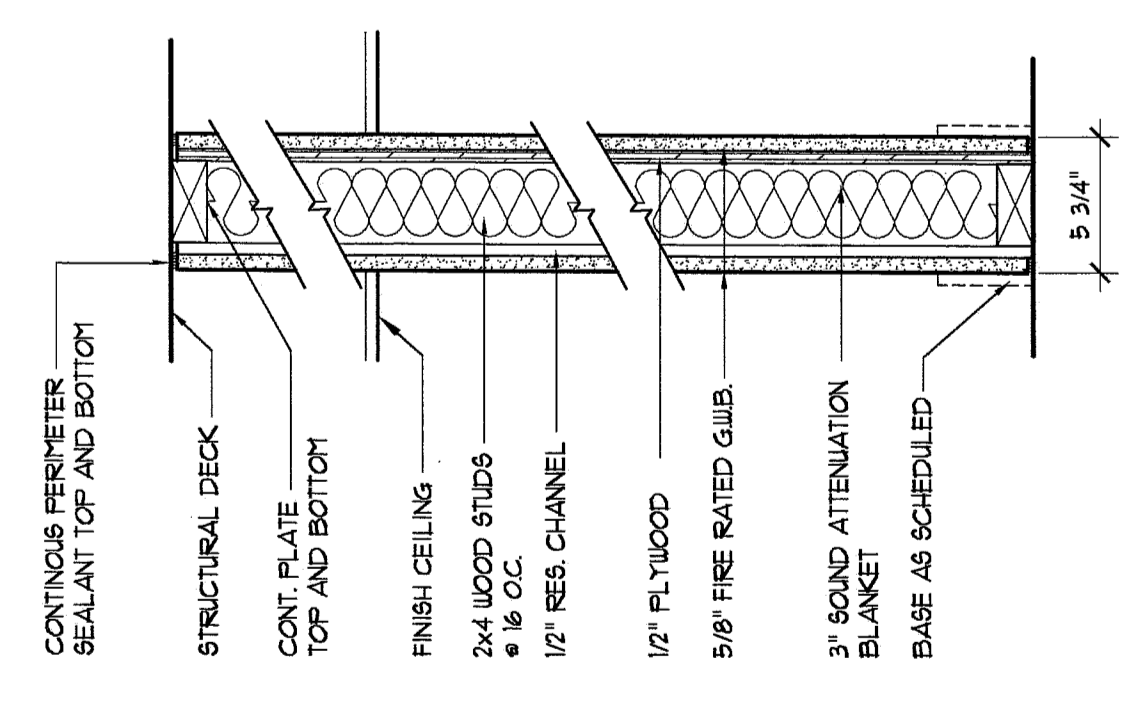
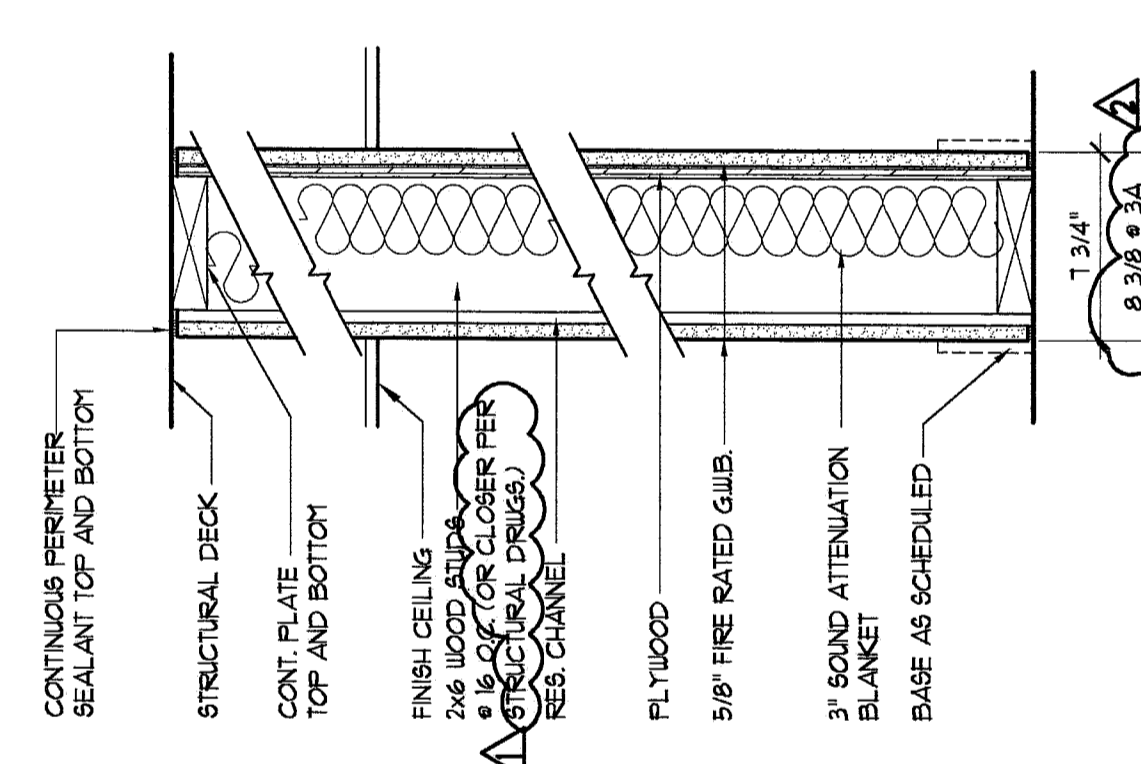


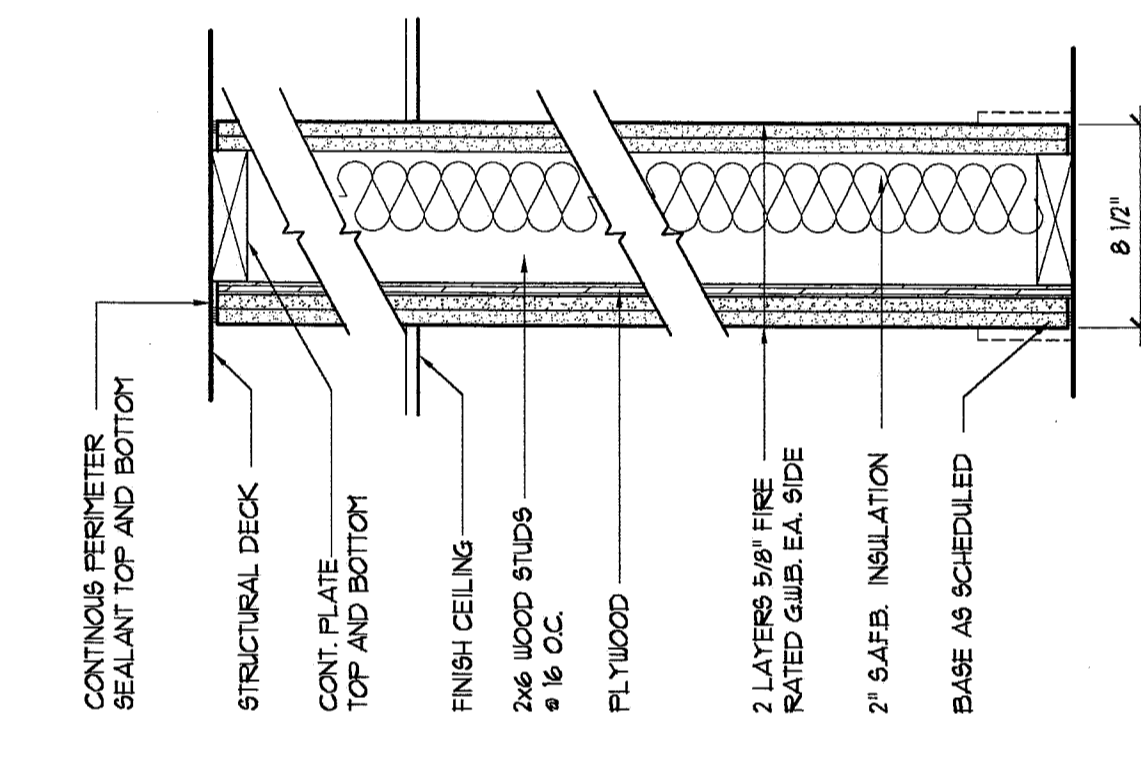
- 1 NON-RATED WALL
2x6 WOOD STUDS
- 1A W/2" SAFE FLOOR TO
CEILING AND ABOVE CEILING,
STC 45 MIN.
- 1B 2x4 WOOD STUDS
- 1C 2x6 WOOD STUDS



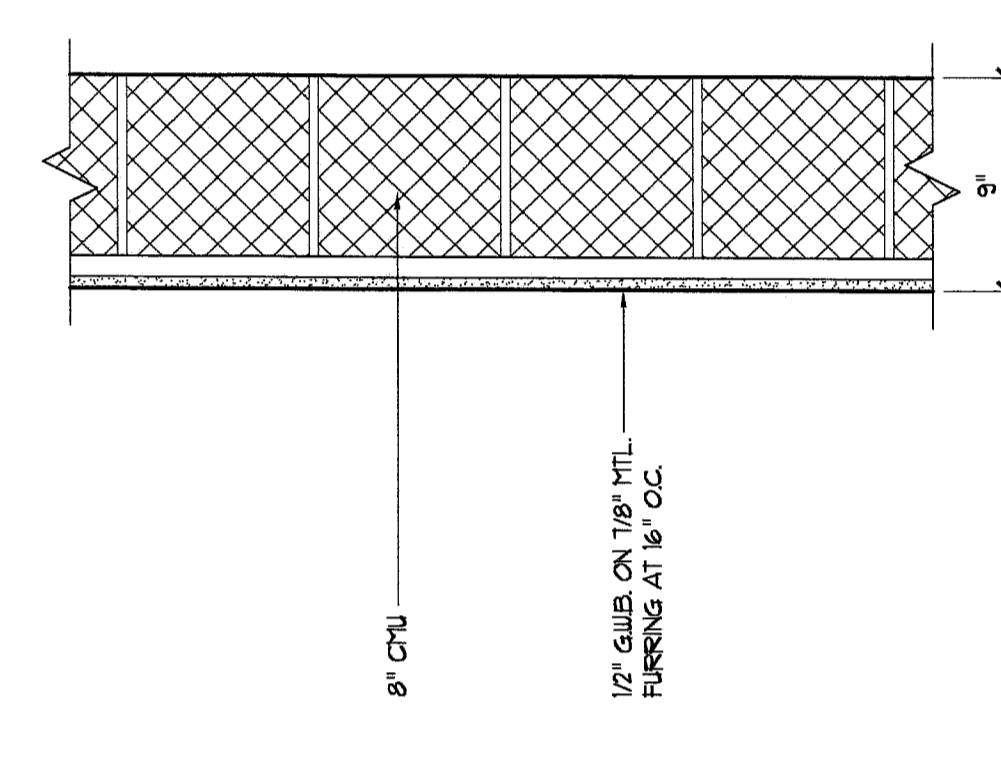
- 2 ONE HOUR FIRE RATED
G.A. FILE NO. UP 3240
- 2A NO PLYWOOD
- 2B NO PLYWOOD OR
RES. CHANNEL



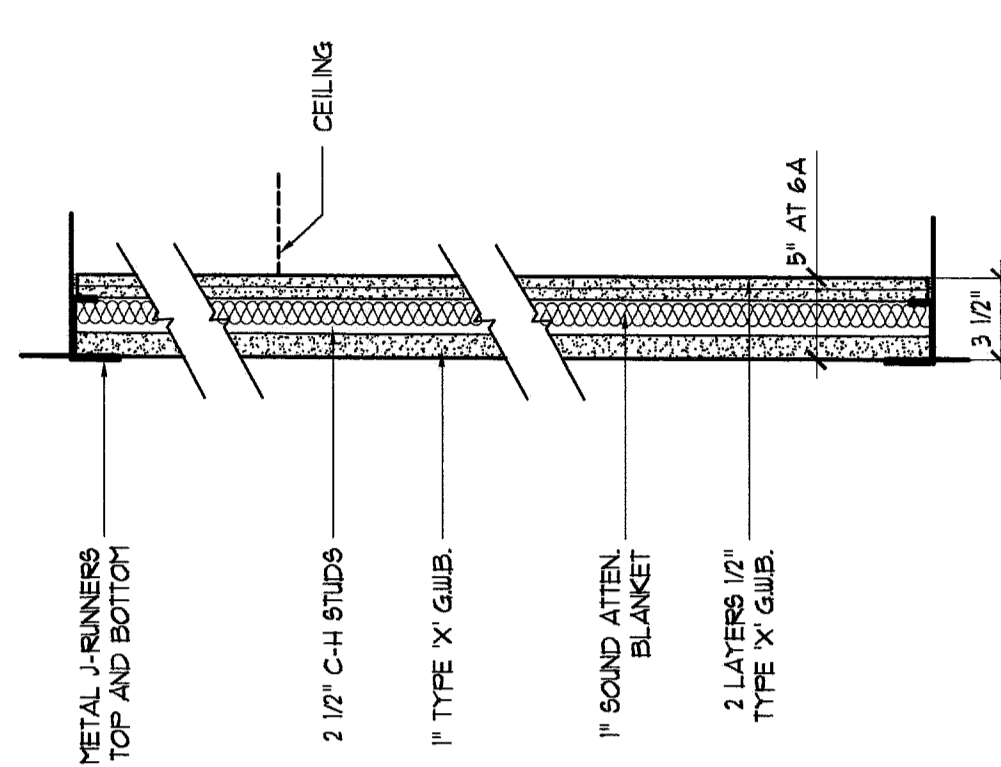
- 3 ONE HOUR FIRE RATED
BEARING WALL
G.A. FILE NO. UP 3240 (FIRE)
STC 52-54
WITH ADDED LAYER
5/8\"/>



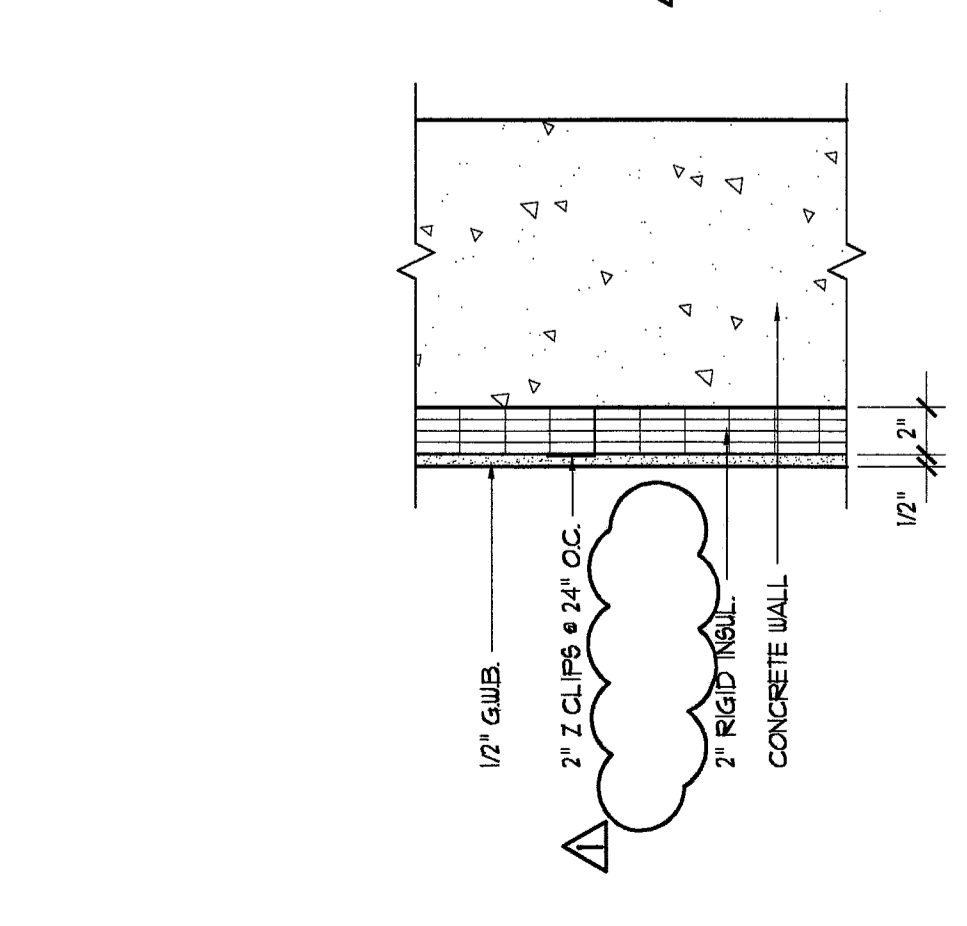
- 4 TWO HOUR FIRE RATED
ULL DESIGN M320
STC 45-52 MIN.
- 4A W/2 x 4 WOOD STUDS
NO PLYWOOD
NO INSULATION



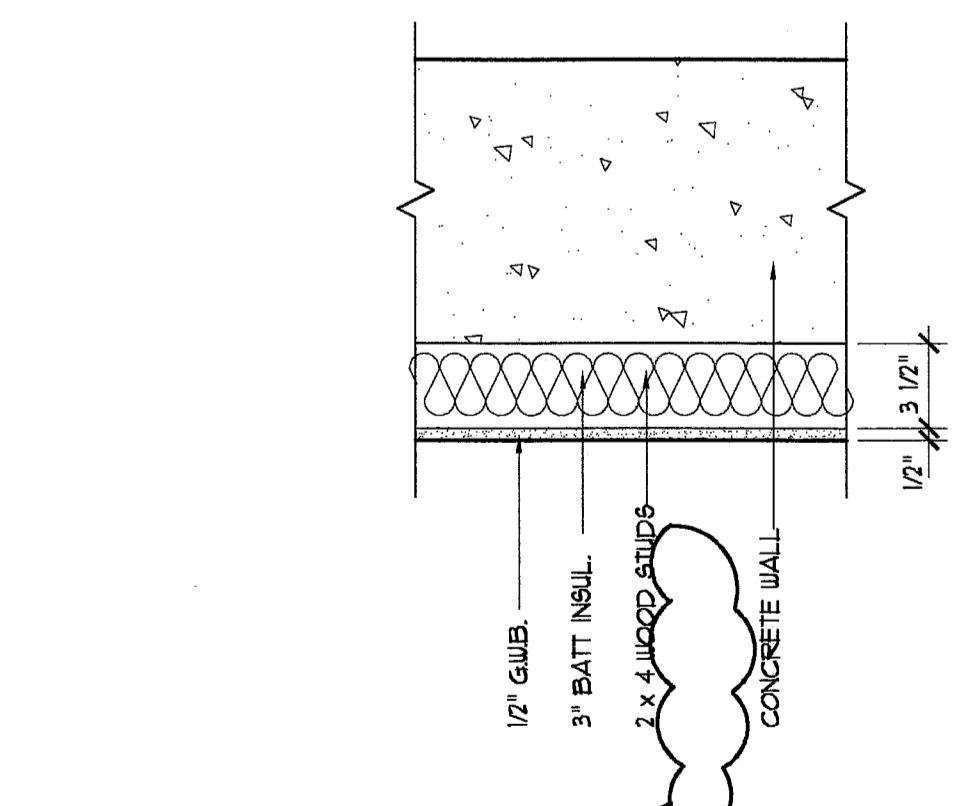
- 5 TWO HOUR RATED WALL
ULL DESIGN M325
C/O ONLY



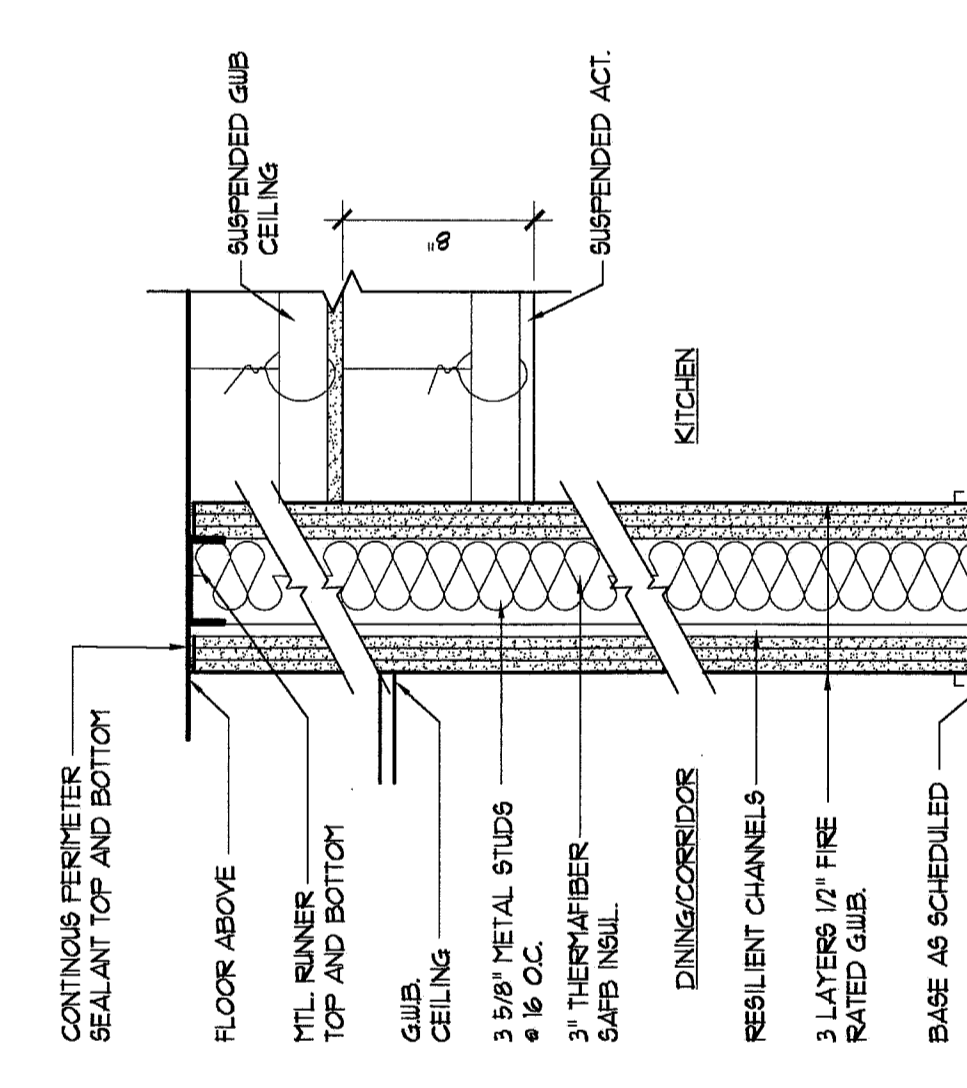
- 6 THREE HOUR RATED SHAFT WALL
ULL DESIGN M458
- 6A W/ 4\"/>



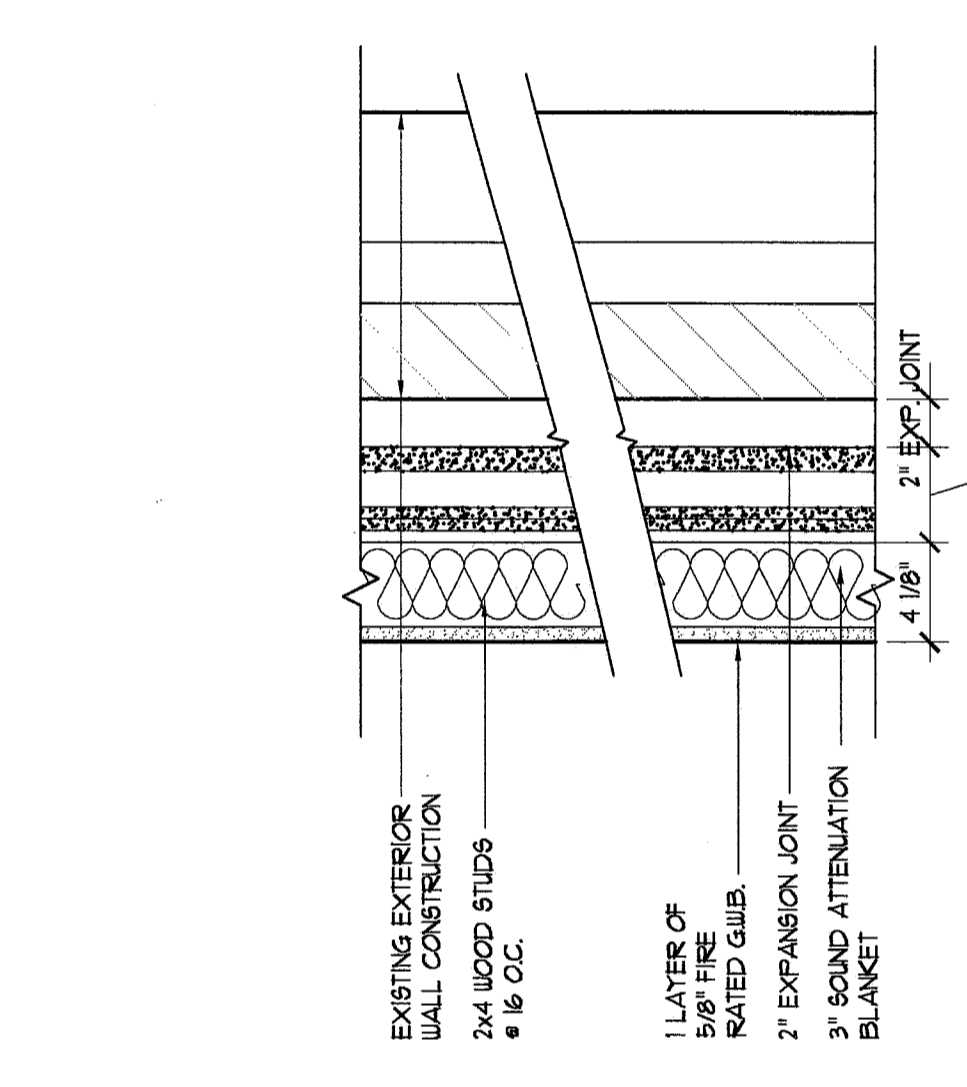
- 7 CONCRETE WALL W/ GIBB
PARTITION



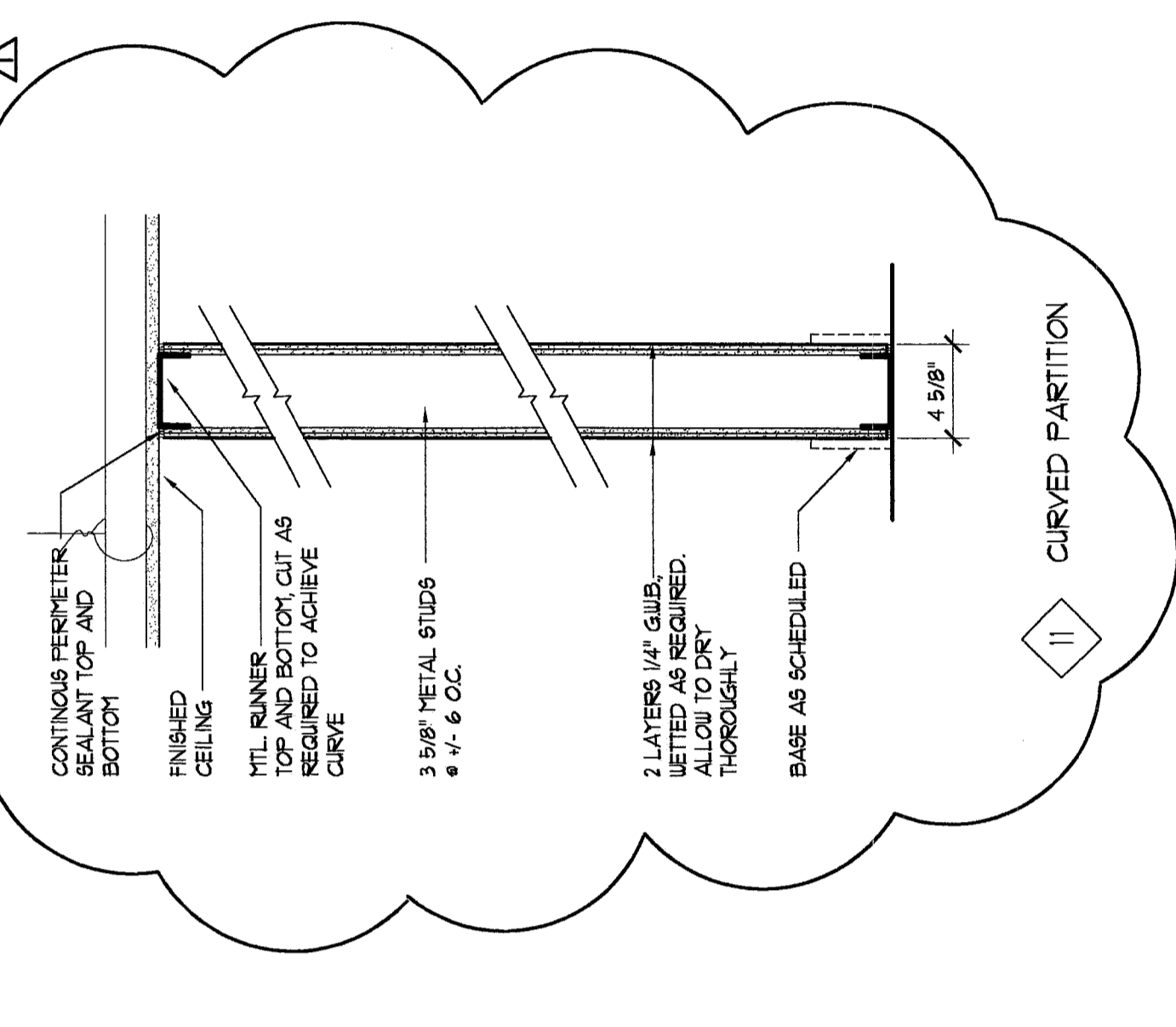
- 8 CONCRETE WALL
W/ GIBB PARTITION



- 9 SOUND CONTROL PARTITION
ULL DESIGN M455
STC 63



- 10 ONE HOUR FIRE RATED
AT EXISTING BRICK WALL
G.A. FILE NO. 5426



- 11 CURVED PARTITION

NOTE:
1. USE MOISTURE RESISTANT GIBB AT TOILETS, TYP.
2. FIRE RATING MAY NOT BE REQUIRED AT ALL LOCATIONS WHERE A FIRE PARTITION TYPE IS USED.
3. COORD. PARTITION TYPES WITH STRUCTURAL DRAWINGS. NOTIFY ARCHITECT OF ANY DISCREPANCIES.

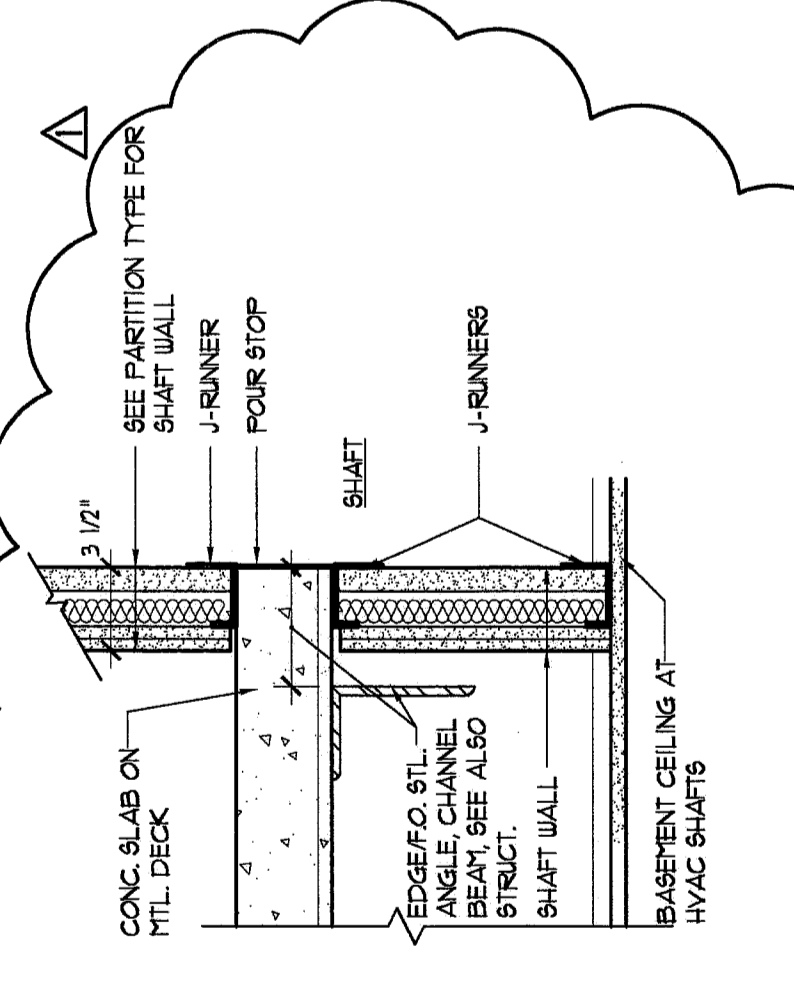
Rev/Date	No.	Date
GENERAL REVISIONS	▲	03/20/06
FINAL FRISING	▲	10/05/06
HUD FIRE COMMITMENT	▲	11/22/06

Project:
**THE INN
AT CEDARS**
PORTLAND, MAINE

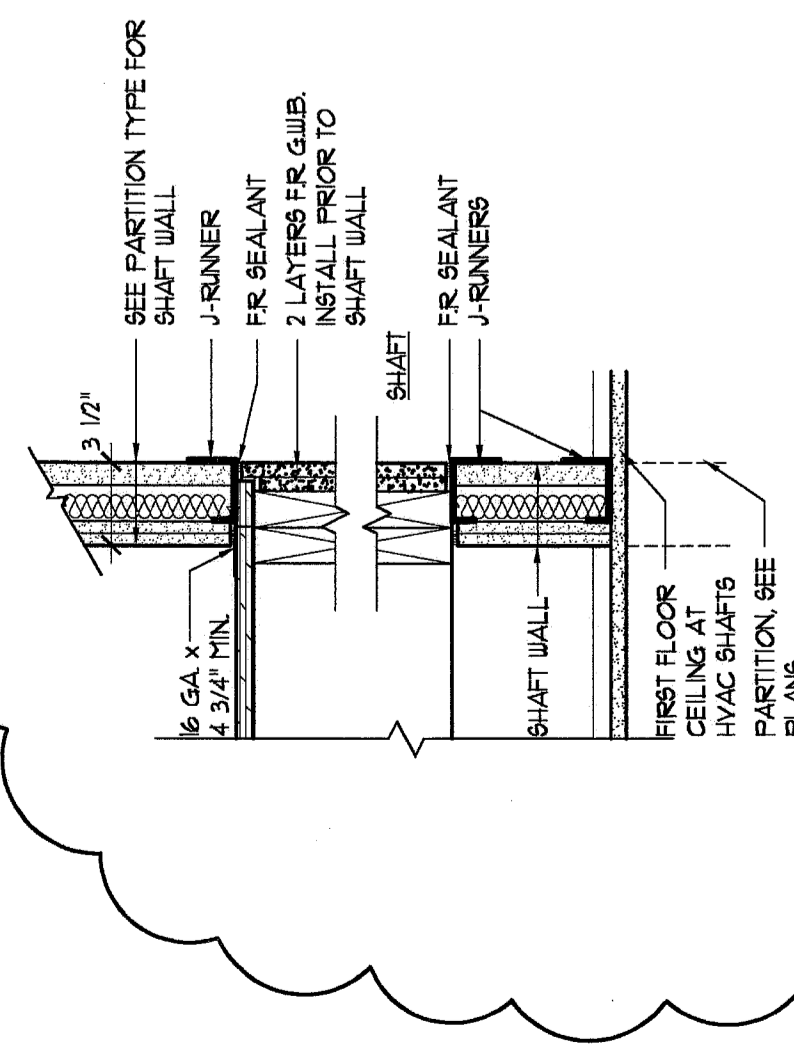
**Drawing
Title**
**PARTITION
TYPES**

**Tsomides Associates
Architects and Planners**
389 Elliot Street
Newton, Upper Falls, MA 02464
(617) 869-4774 Fax: (617) 869-4793
e-mail: info@tsomides.com www.tsomides.com

DATE PLOTTED: 06/24/06 BID SET
SCALE: 1/2" = 1'-0"
DRAWN BY: [Signature]
CHECKED BY: [Signature]
PROJECT NO.: [Signature]
A-205



**SHAFT WALL DETAIL
@ STL. FRAMING**
2 SCALE: 3/4"=1'-0"



**SHAFT WALL DETAIL
@ WOOD FRAME**
1 SCALE: 3/4"=1'-0"