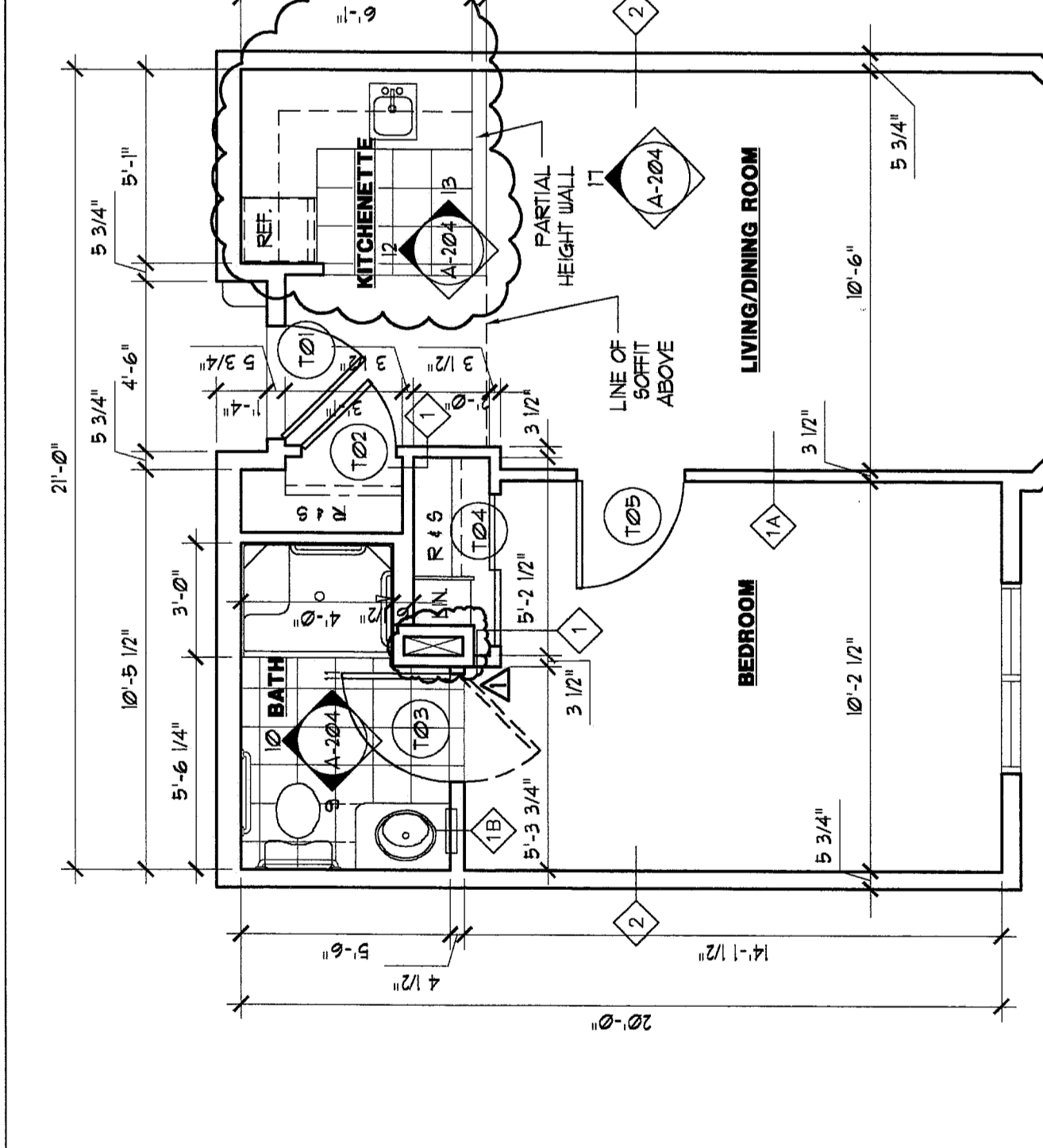
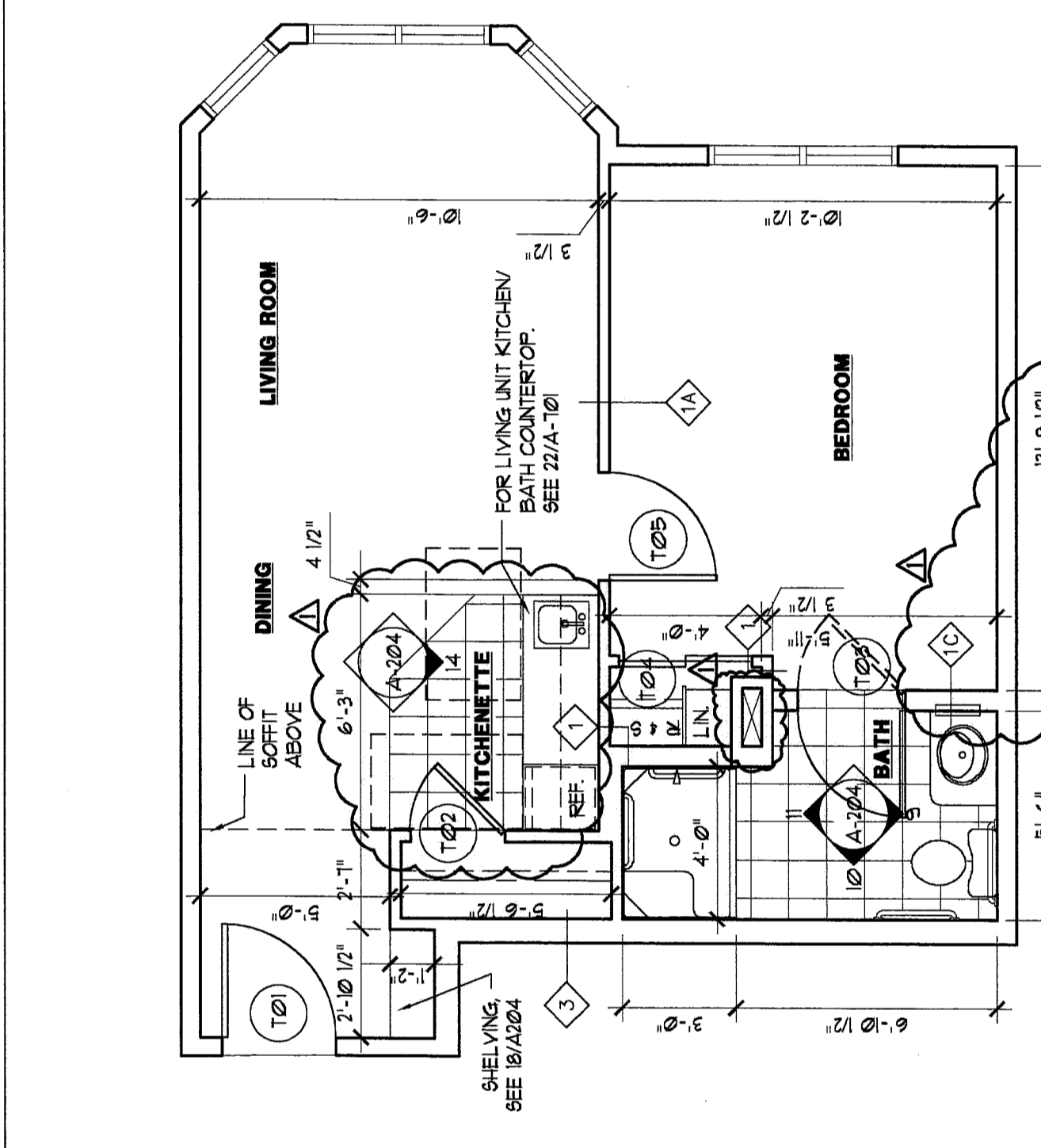


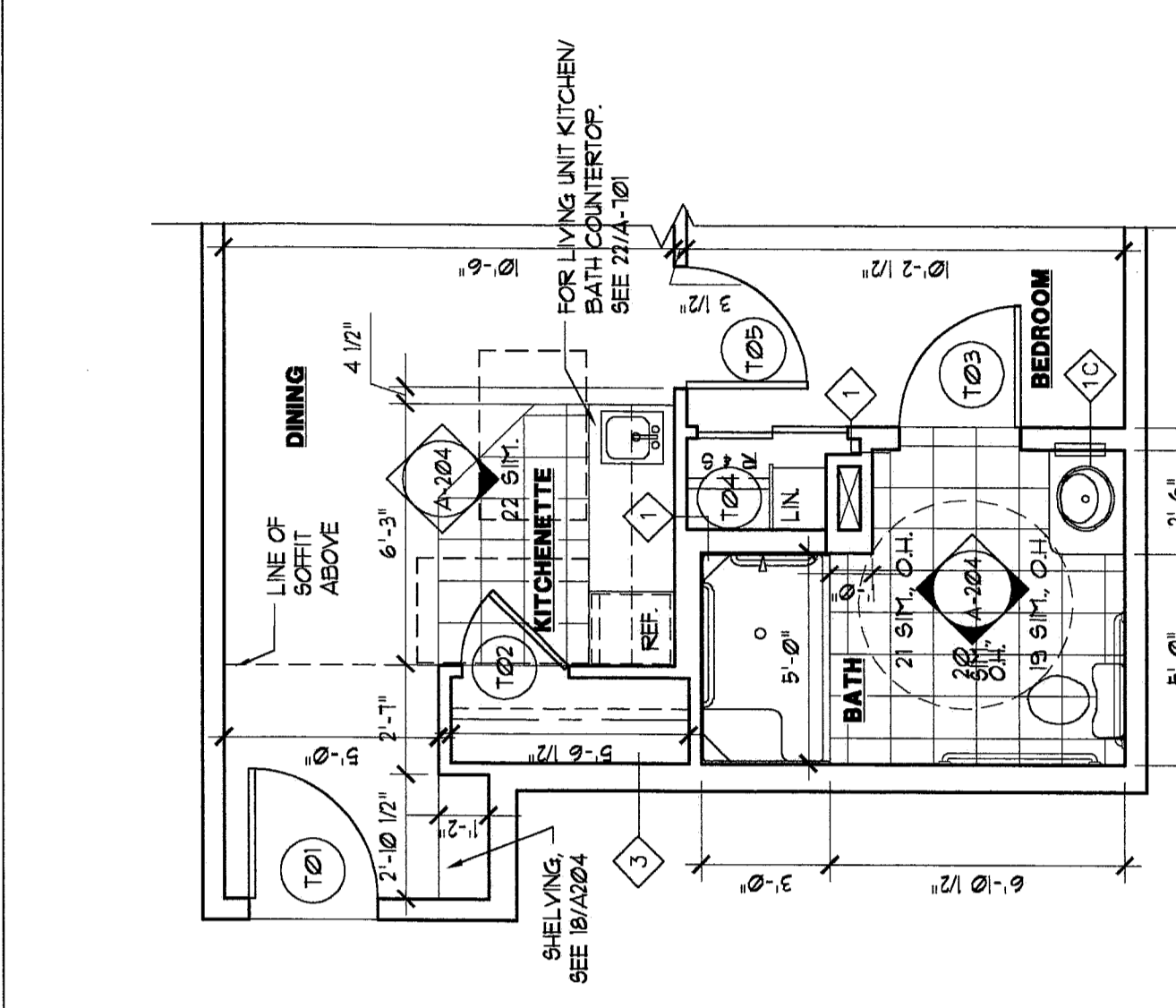
**1** ONE BEDROOM - TYPE 'A'  
(8 EA.)



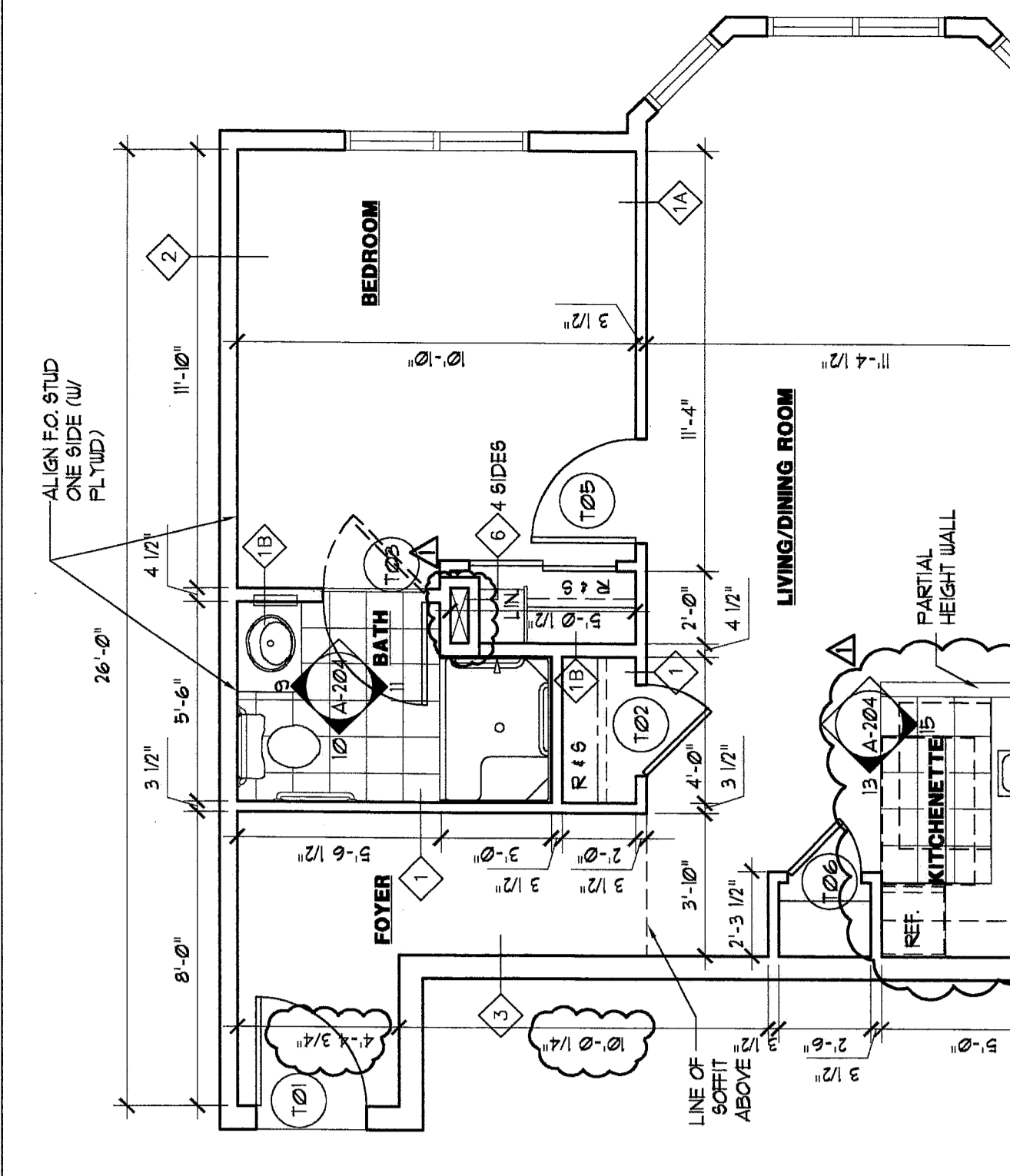
**2** ONE BEDROOM W/ BAY - TYPE 'B'  
(7 EA.)



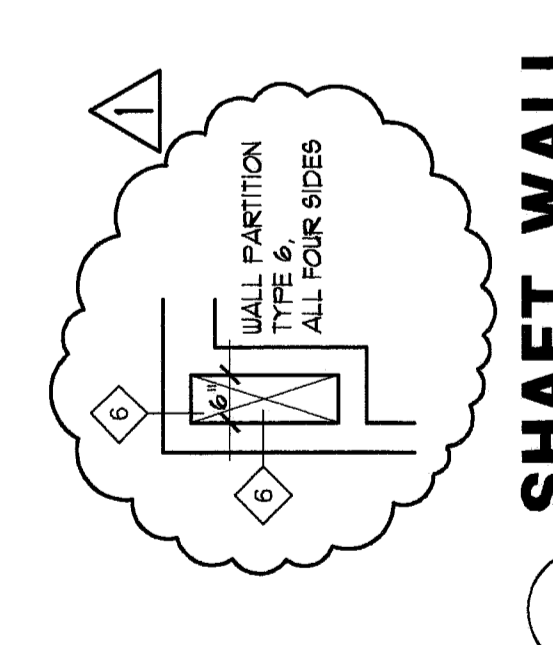
**3** CORNER ONE BEDROOM - TYPE 'C'  
(3 EA.)



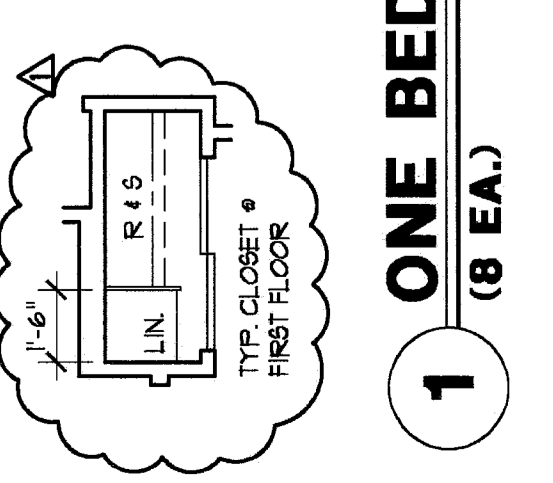
**3** CORNER ONE BEDROOM - TYPE 'C' HC  
(1 EA.)



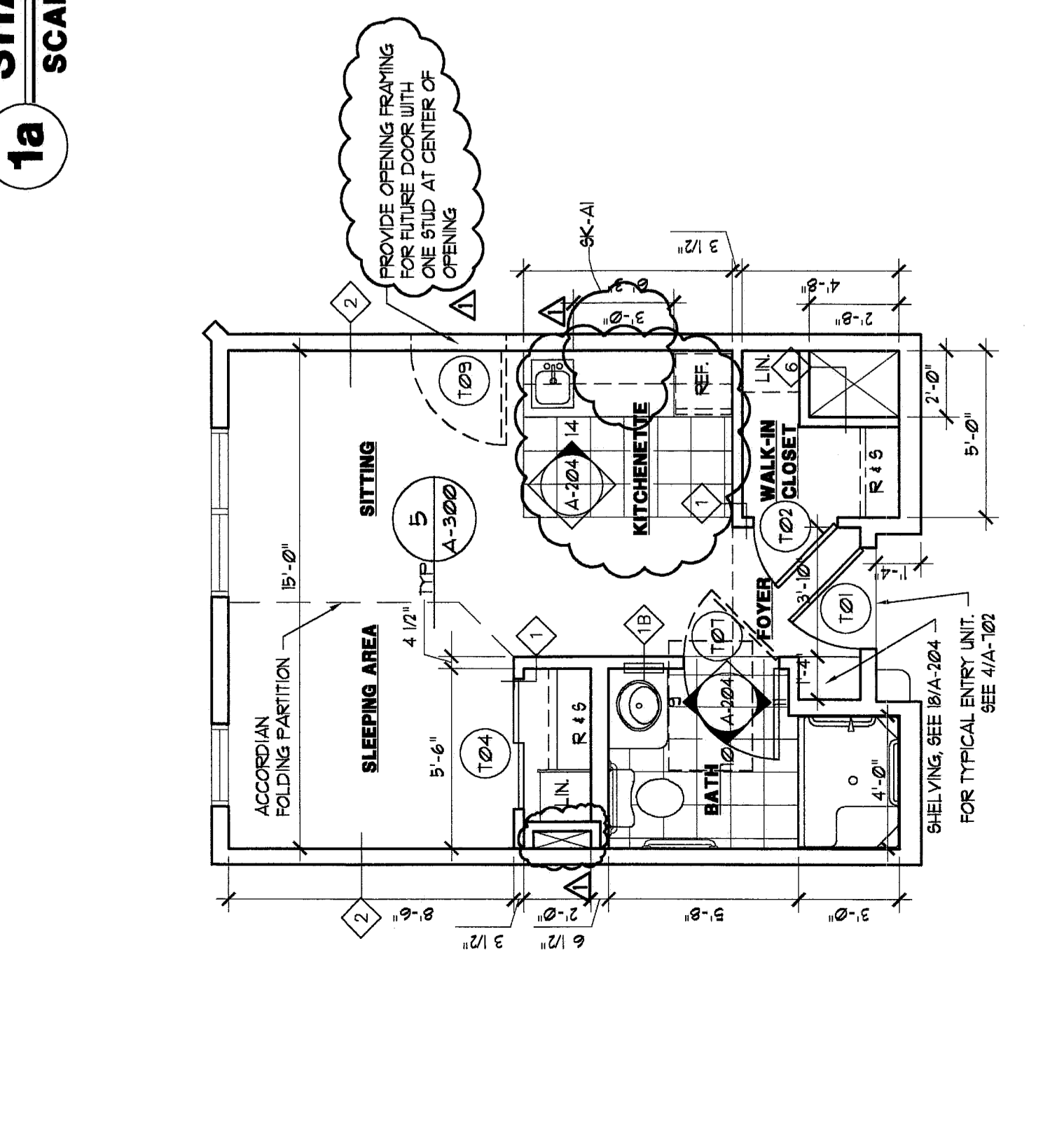
**4** LARGE ONE BEDROOM - TYPE 'D'  
(4 EA.)



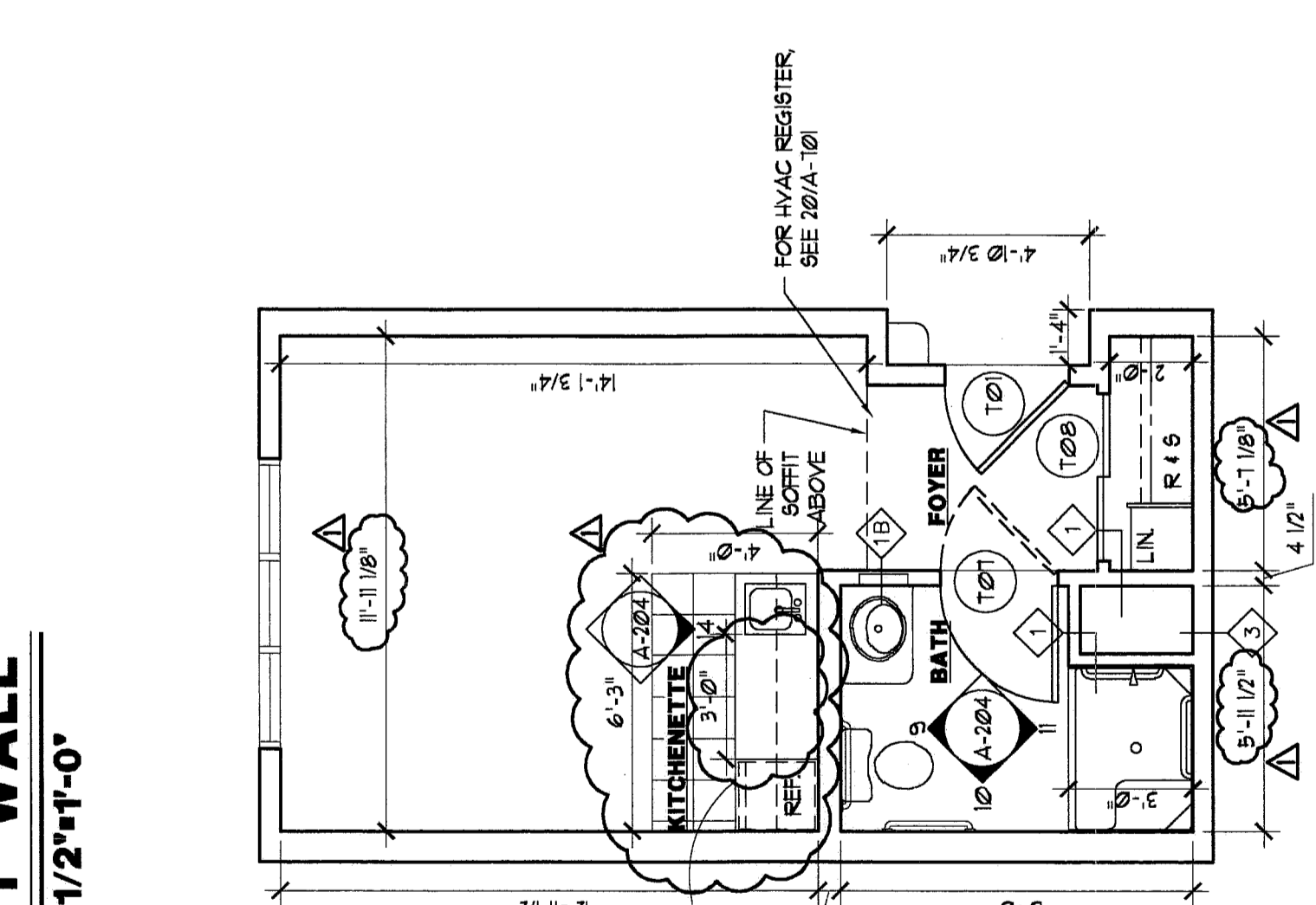
**1a** SHAFT WALL  
SCALE: 1/2"=1'-0"



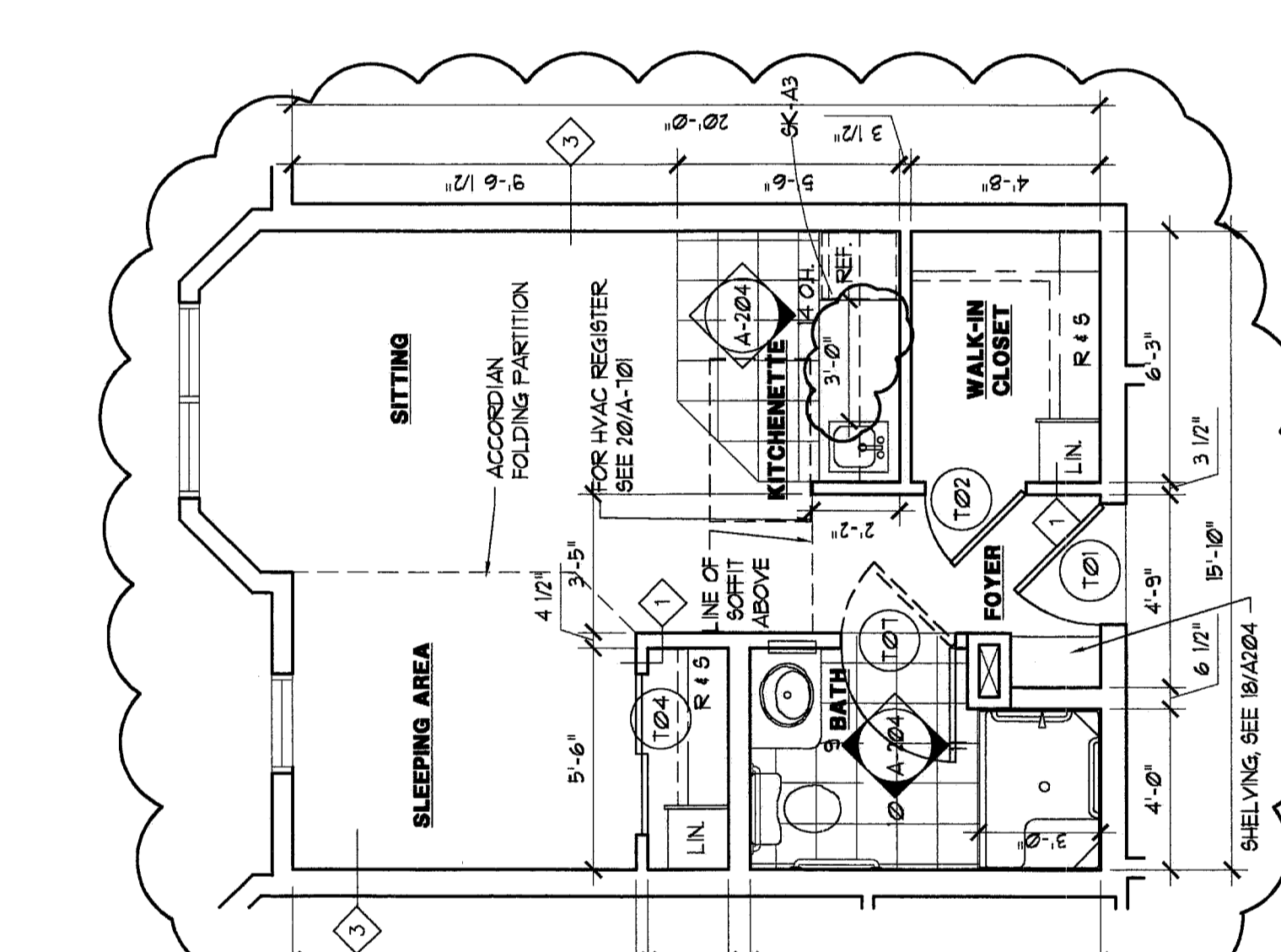
**1** CLOSET - FIRST FLOOR



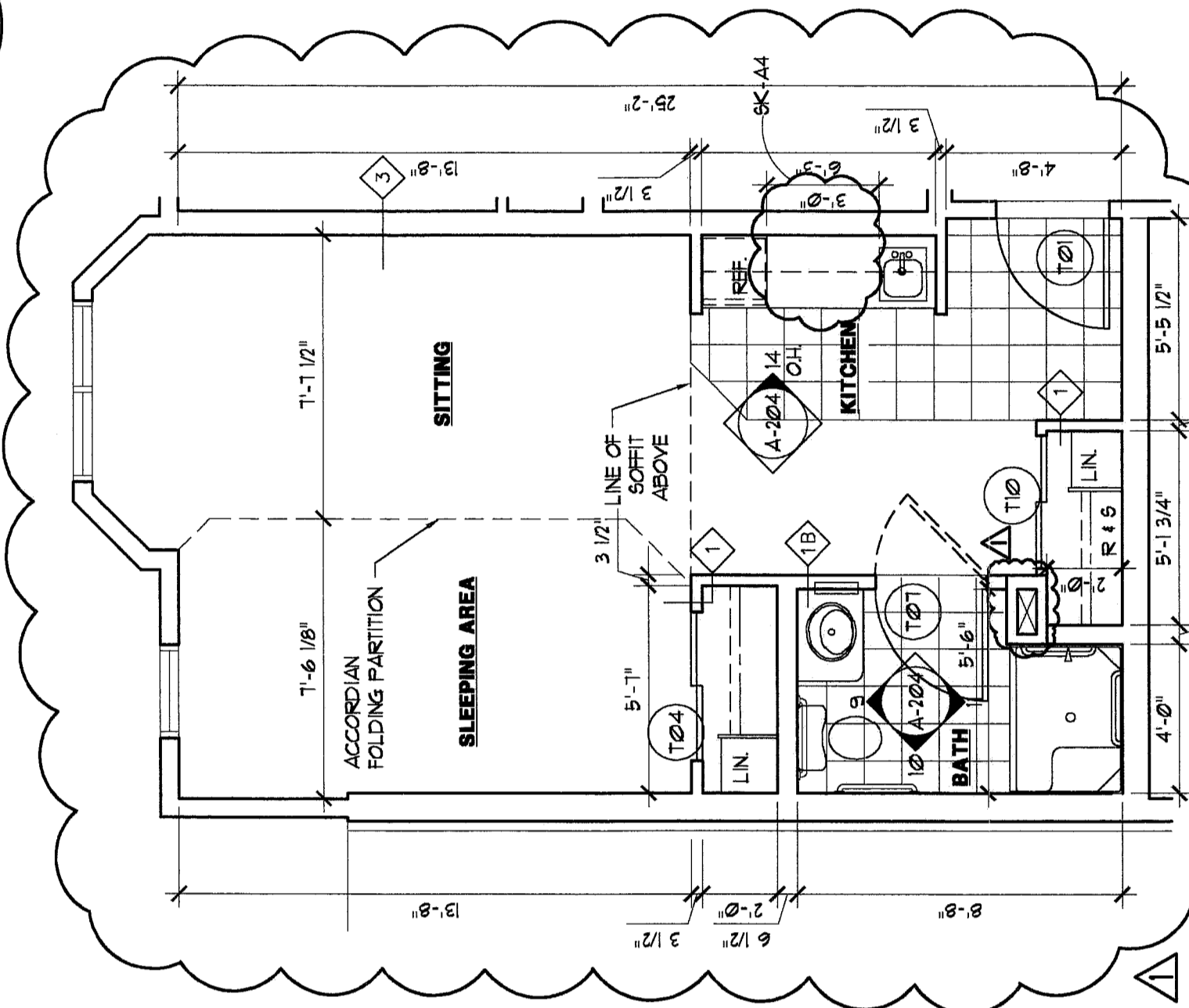
**5** STUDIO - TYPE 'E'  
(2 EA.)



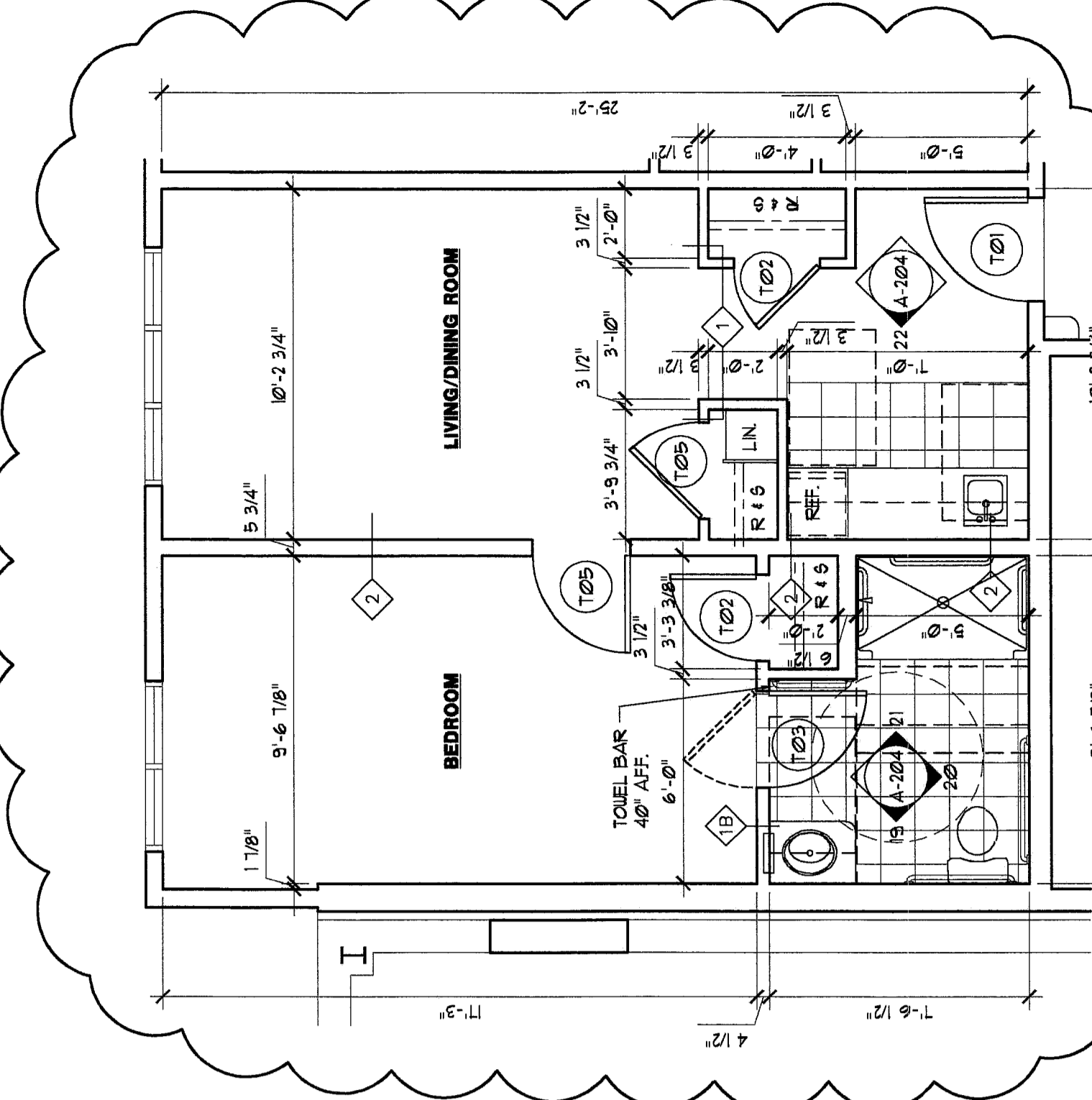
**6** 'THRIFT' STUDIO - TYPE 'F'  
(2 EA.)



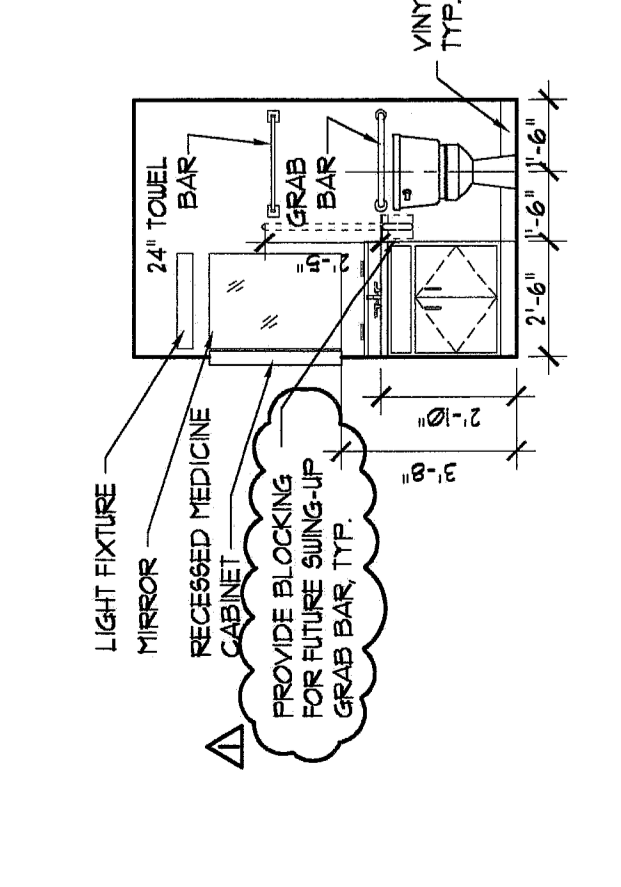
**7** STUDIO W/ BAY - TYPE 'G'  
(1 EA.)



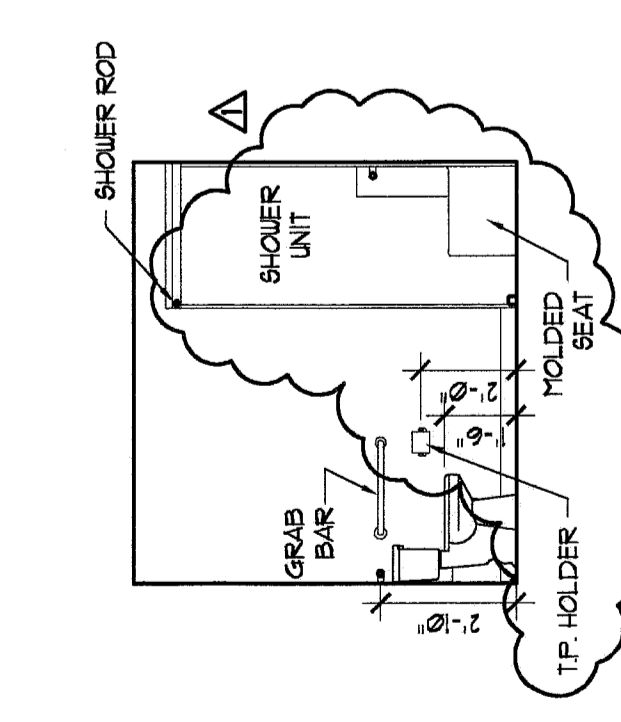
**8** STUDIO W/ BAY - TYPE 'H'  
(1 EA.)



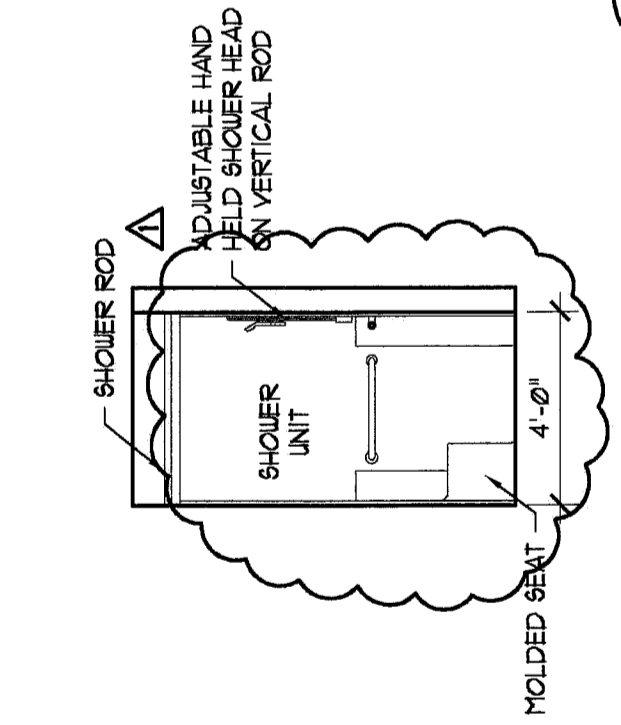
**19** H.C. UNIT - TYPE 'J'  
(1 EA.)



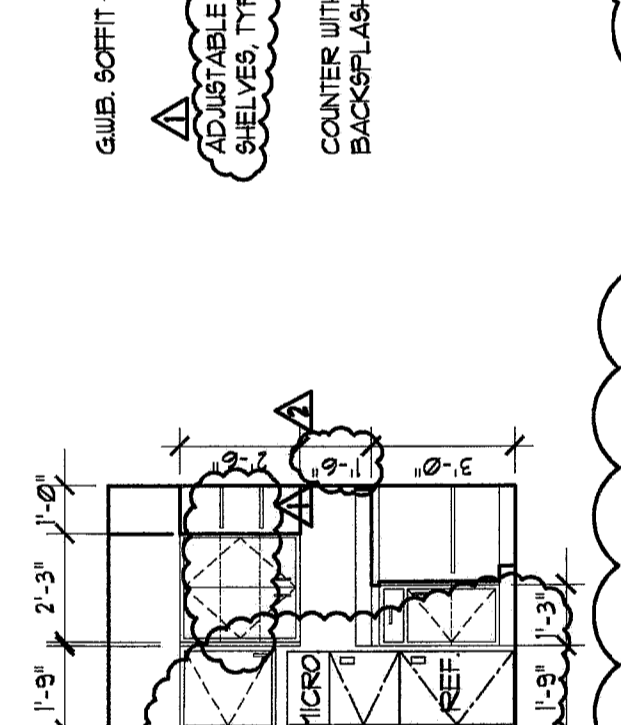
**9** BATHROOM



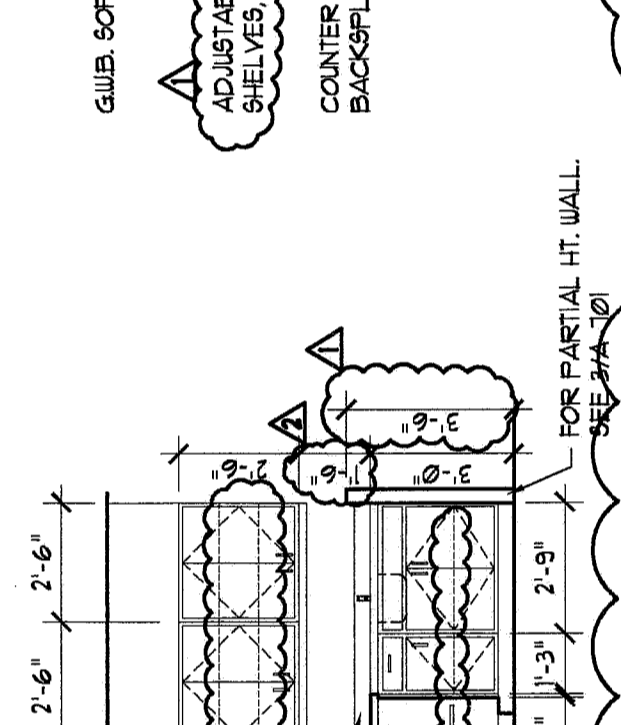
**10** BATHROOM



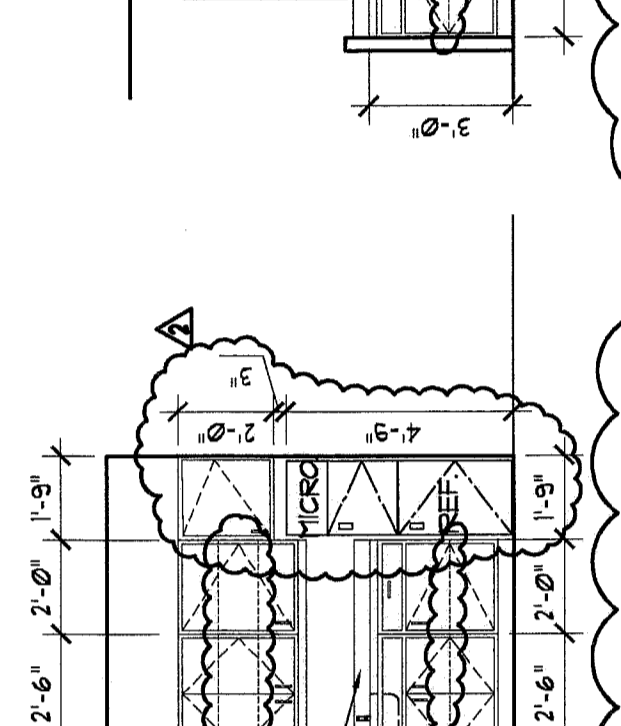
**11** BATHROOM



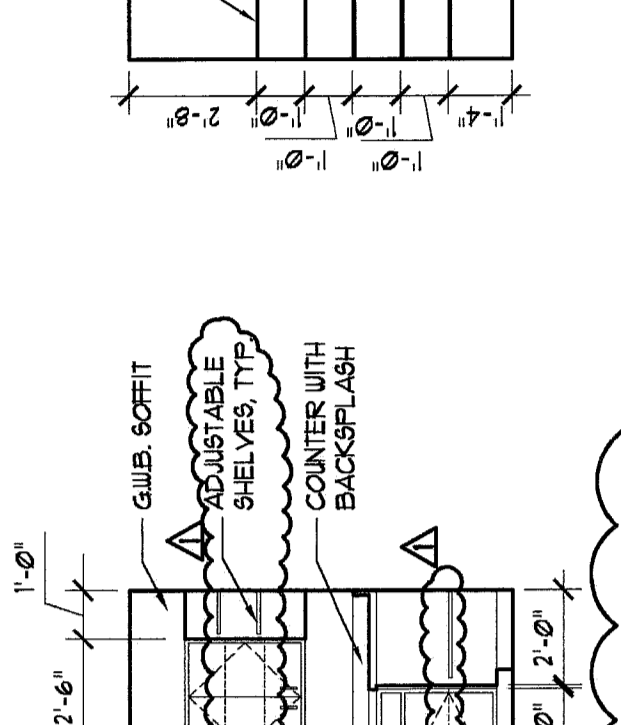
**12** KITCHENETTE



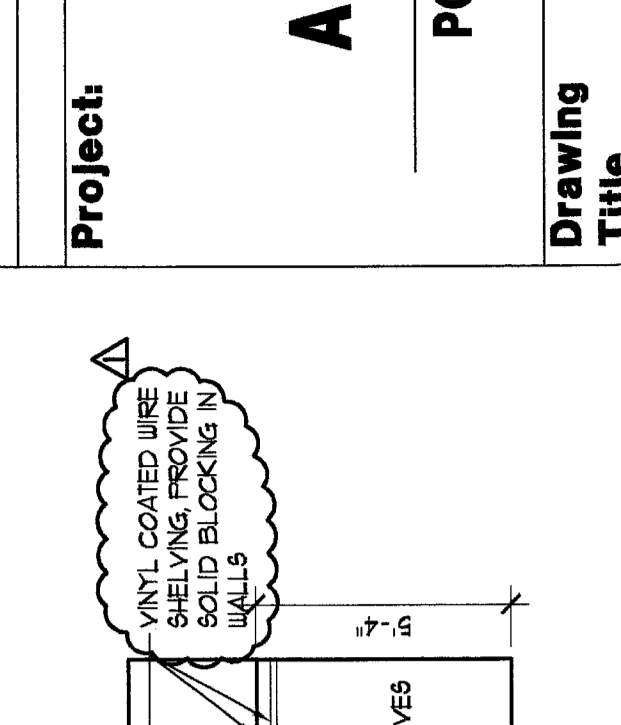
**13** KITCHENETTE



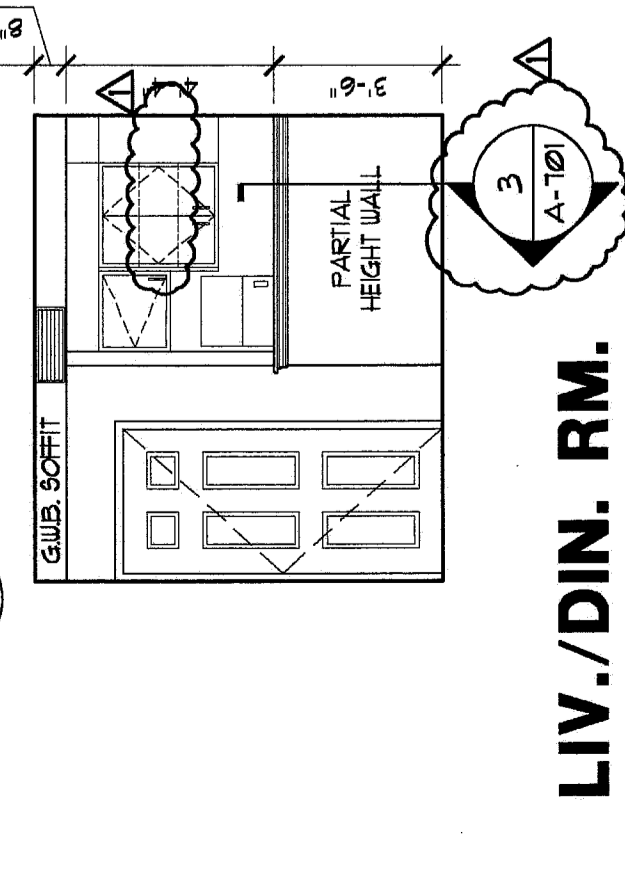
**14** KITCHENETTE



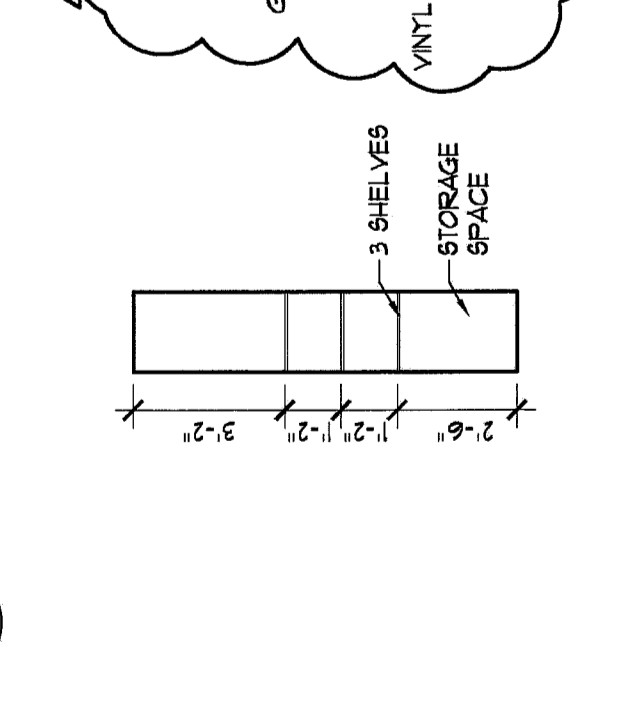
**15** KITCHENETTE



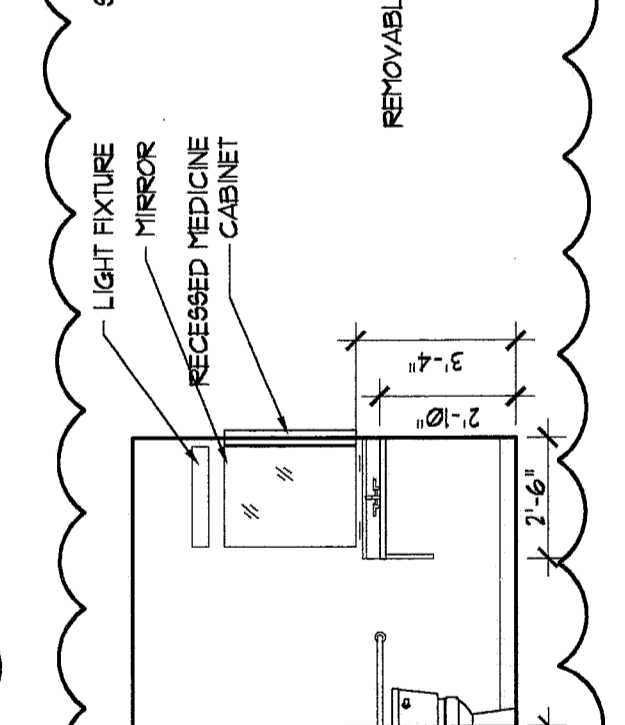
**16** CLOSET



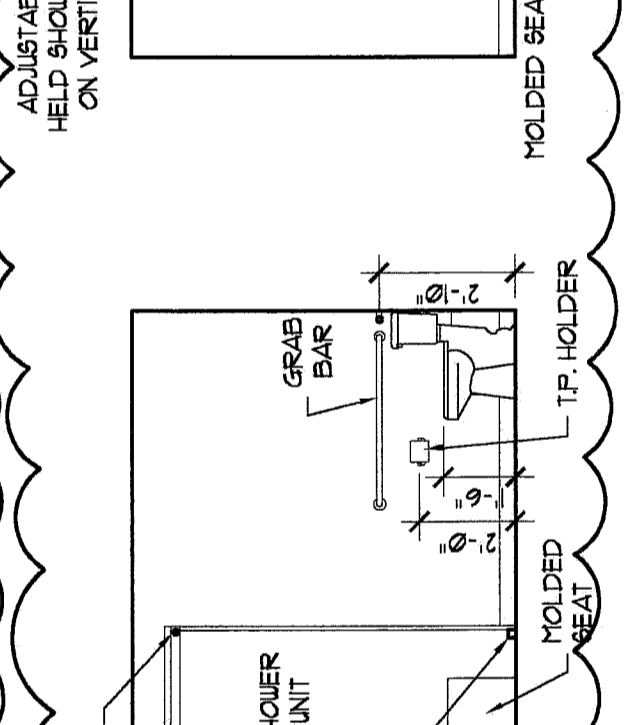
**17** LIV./DIN. RM. ELEV. SHOWING SOFFIT



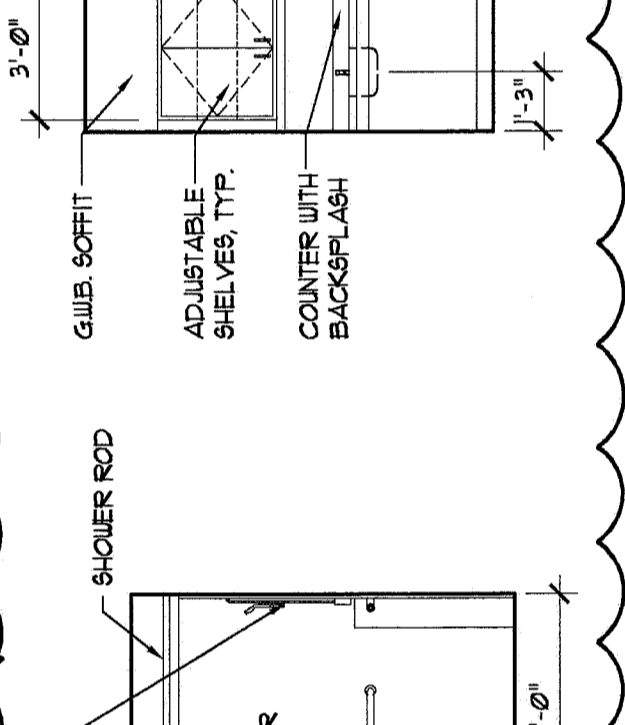
**18** SHELVING



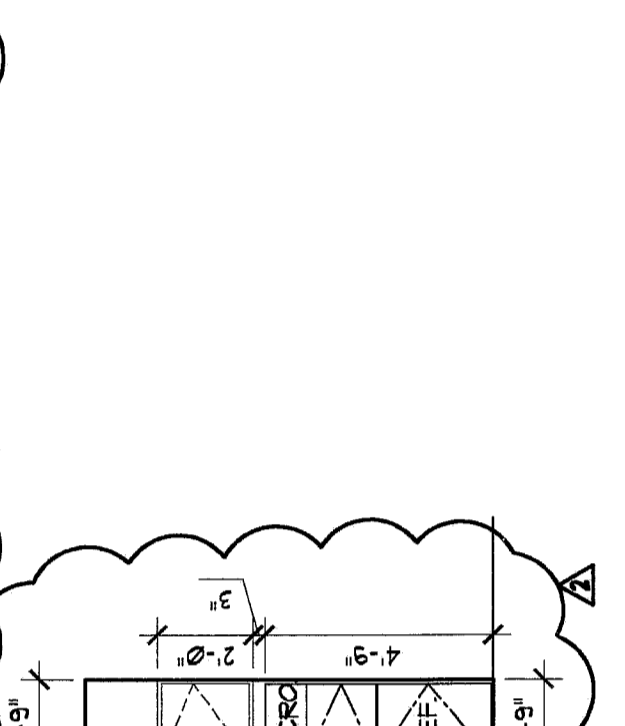
**19** H.C. BATHROOM



**20** H.C. BATHROOM



**21** H.C. BATHROOM



**22** H.C. KITCHENETTE

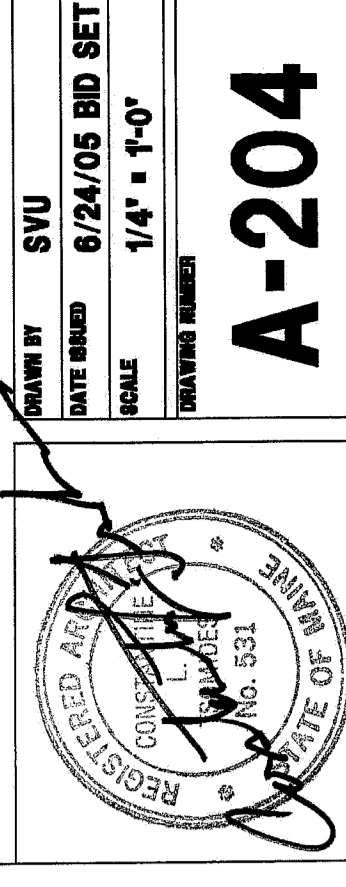
NO.	DATE
1	07/20/06
2	10/05/06
3	11/21/06

Project: THE INN AT CEDARS  
PORTLAND, MAINE

Drawing Title: UNIT PLANS & INTERIOR ELEVATIONS

Tsonides Associates Architects and Planners  
389 Elliot Street  
Newton Upper Falls, MA 02464  
(617) 969-4774 Fax: (617) 969-4793  
email: info@tsonides.com www.tsonides.com

MADE IN SWU  
DATE: 6/24/05  
SCALE: 1/4" = 1'-0"  
DRAWN BY: [Signature]



**A-204**