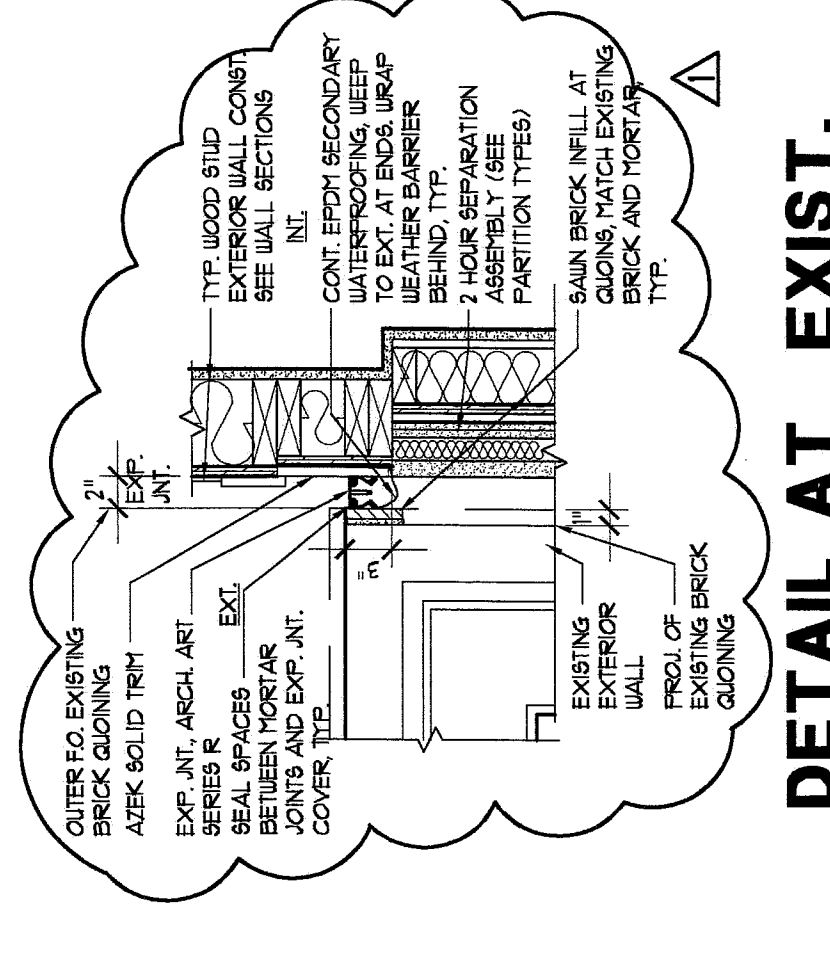
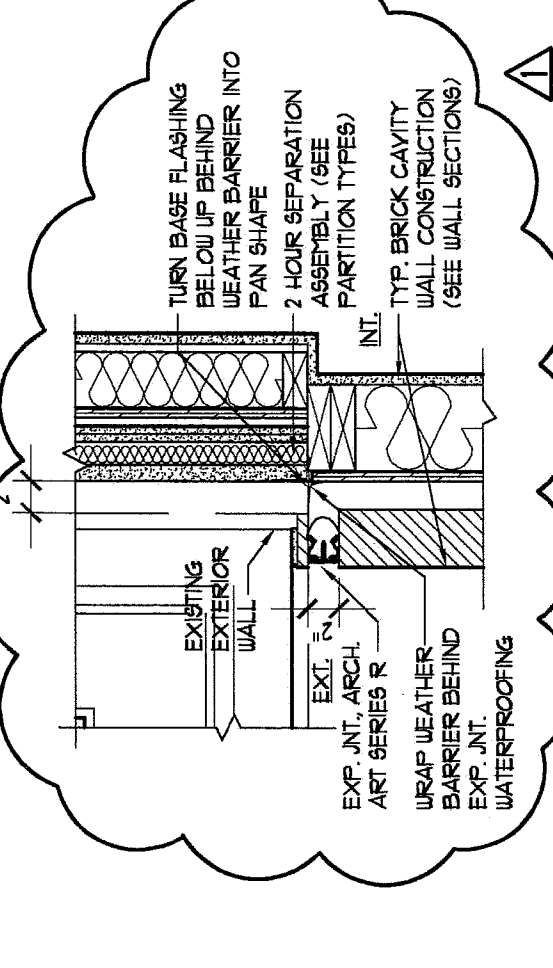


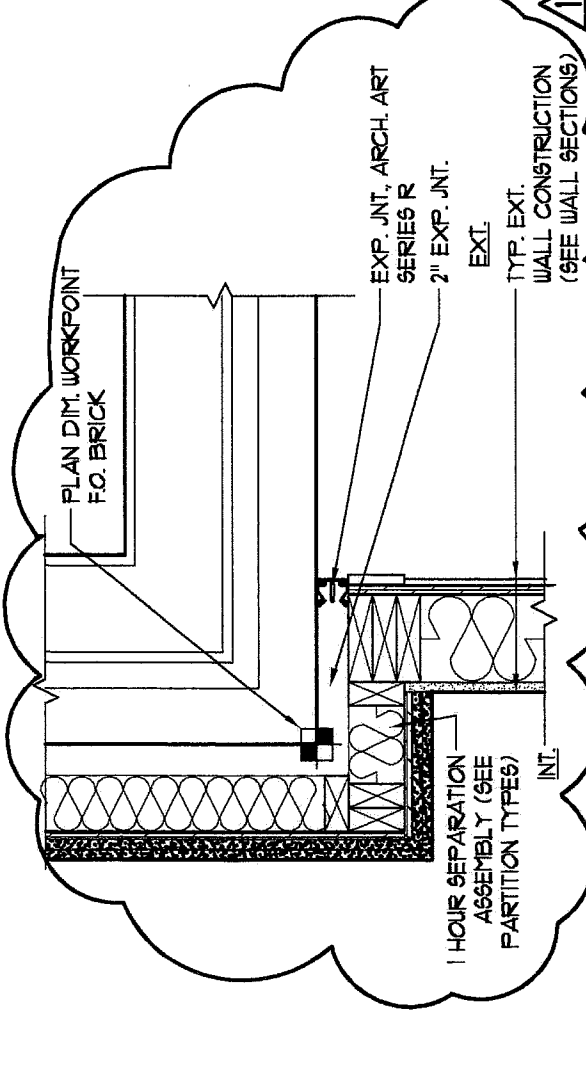
8 **SCALE: 1/2"=1'-0"**
PORTE COCHERE
COLUMN DTL. PLAN



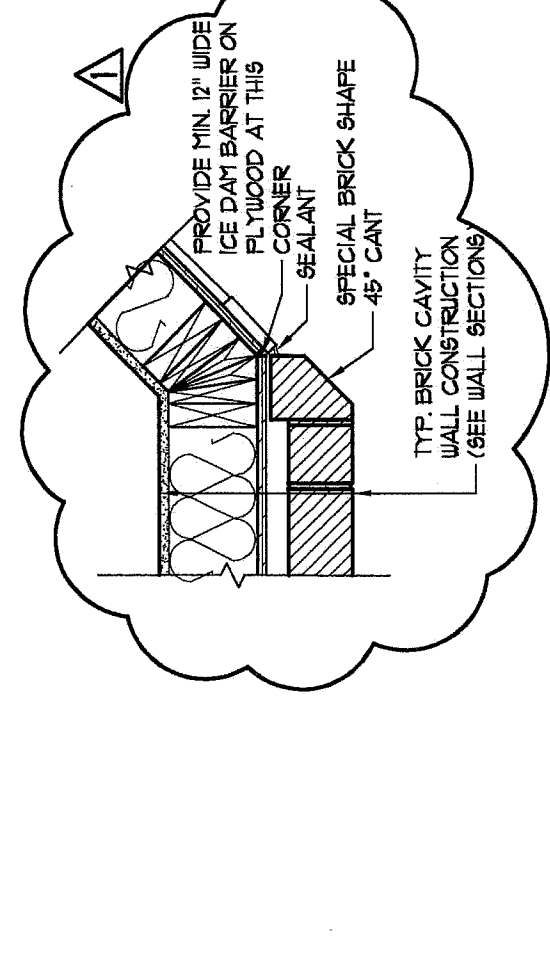
2 **SCALE: 1"=1'-0"**
DETAIL AT EXIST.
CONSTRUCTION (NURSING)



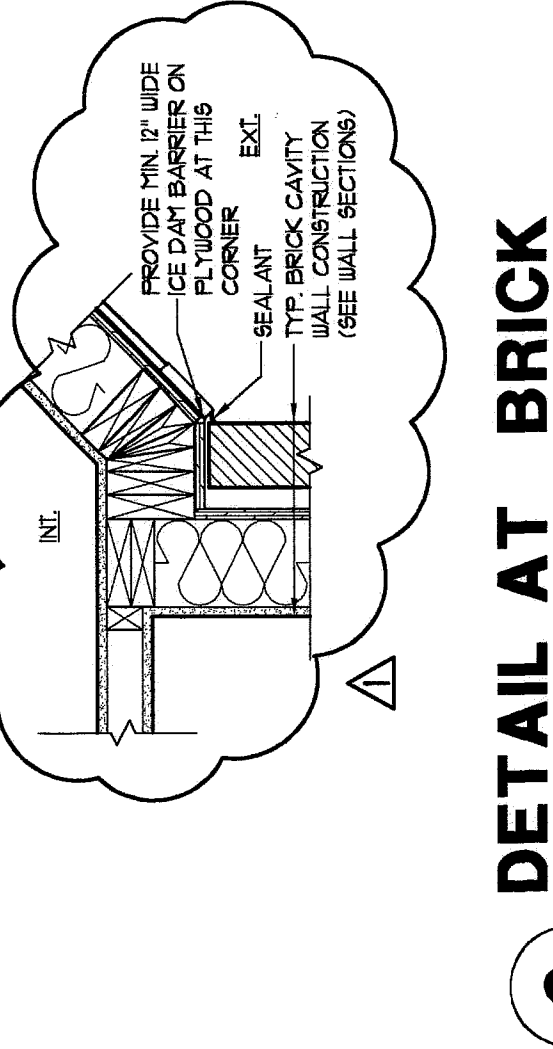
3 **SCALE: 1"=1'-0"**
DETAIL AT EXIST.
CONSTRUCTION (NURSING)



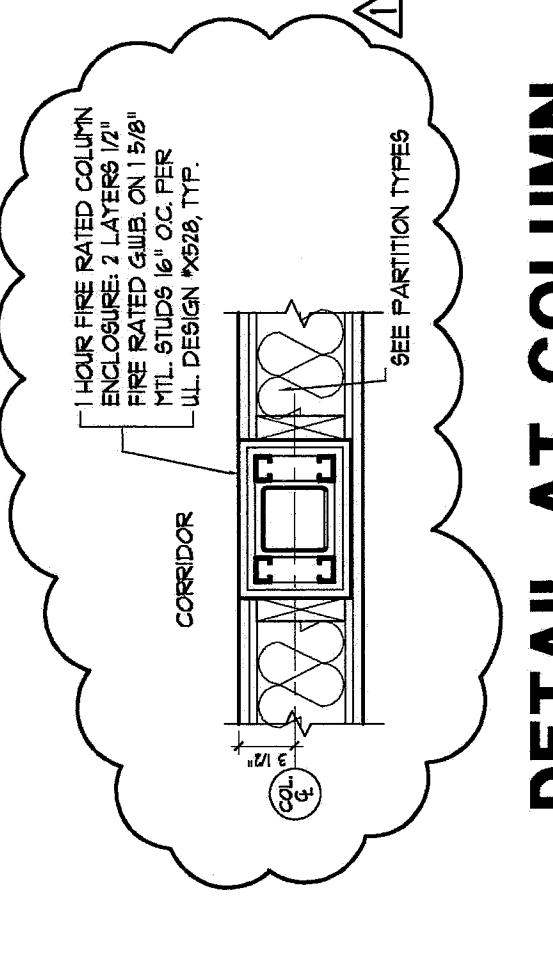
4 **SCALE: 1"=1'-0"**
DETAIL AT EXIST.
CONSTRUCTION (ATRIUM)



5 **SCALE: 1"=1'-0"**
DETAIL AT BRICK



6 **SCALE: 1"=1'-0"**
DETAIL AT BRICK



7 **SCALE: 1"=1'-0"**
DETAIL AT COLUMN
ENCLOSURE

NO.	DATE
1	02/20/06
2	02/25/06
3	11/22/06

GENERAL REVISIONS
 FINAL PRICING
 H/D FIRST COMMITMENT

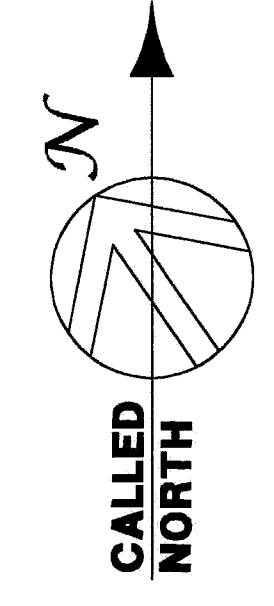
Project:
THE INN
AT CEDARS
 PORTLAND, MAINE

Drawing Title:
FIRST FLOOR
PLAN

Tsomides Associates
Architects and Planners
 389 Elliot Street
 Newton Upper Falls, MA 02464
 (617) 969-4774 Fax: (617) 969-4793
 e-mail: info@tsomides.com www.tsomides.com

DATE BY SVU
 DATE BY SVU
 DATE BY SVU
 DATE BY SVU

A-201



1 **FIRST FLOOR PLAN**