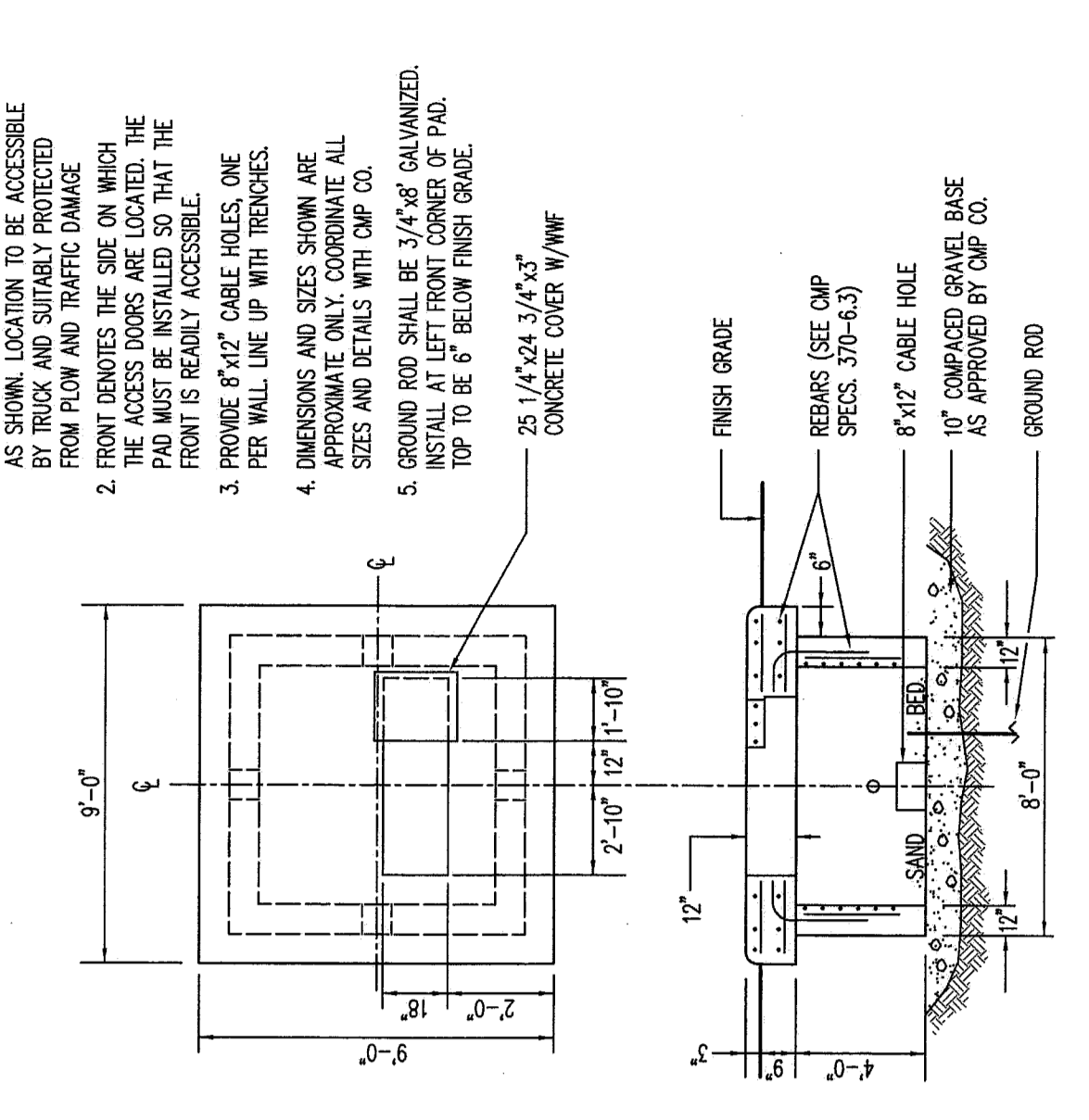


Revision	Date	Drawn	Checked	Scale	Date
ISSUE FOR PRELIMINARY BID	5-11-05	CAH	DAK	1/8" = 1'-0"	
REVISIONS FOR PRELIMINARY BID	7-22-05				
FINAL REVISIONS	8-08-05				
MINOR REVISIONS PER COMMENTS	9-19-05				
FINAL REVISIONS PER COMMENTS	10-15-05				
PERMIT REVISIONS AND PERMS	11-22-05				
HOLD PERM COMMITMENT	11-22-05				

Job No. 3001
 Sheet
 C-11

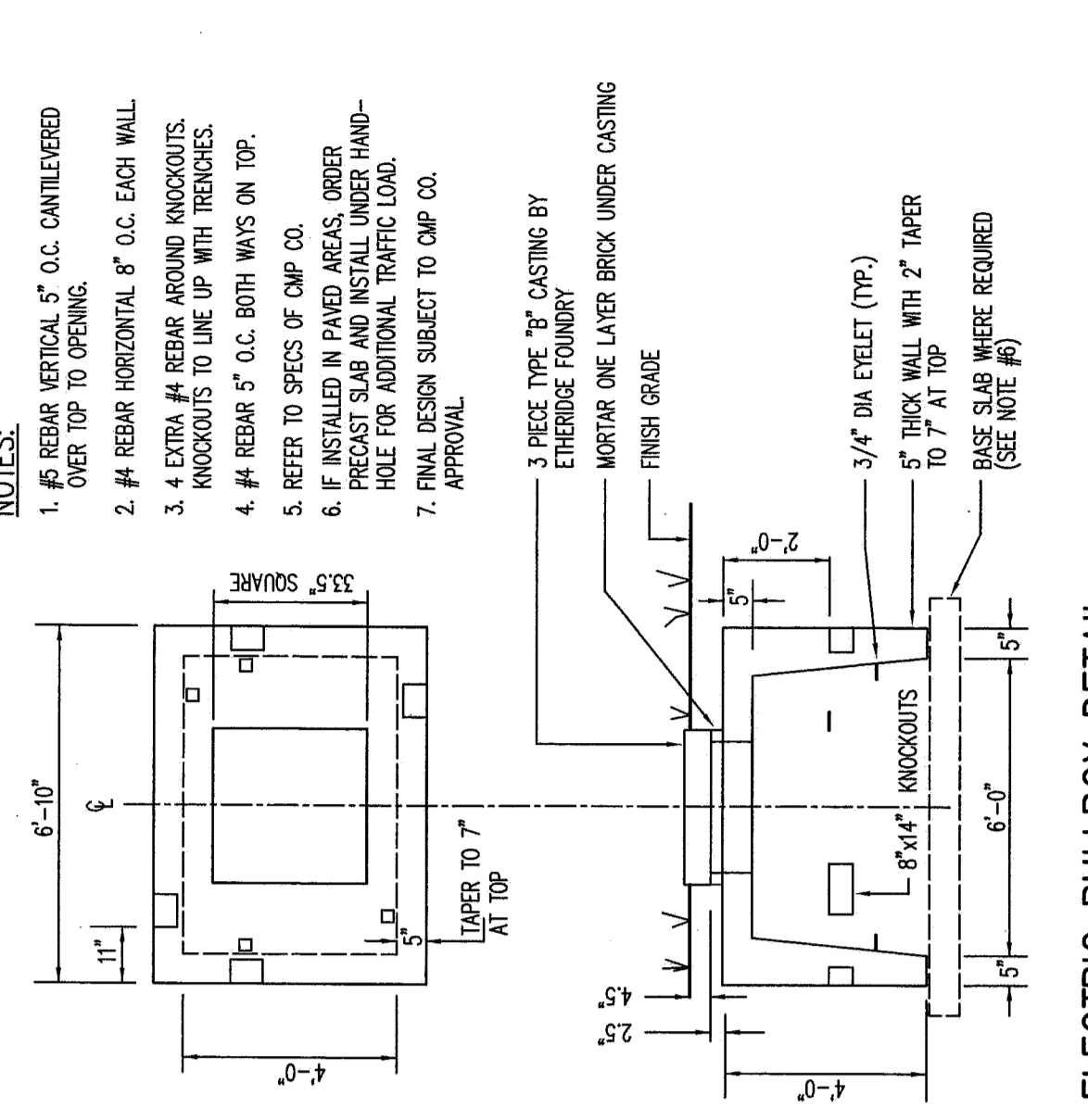
DETAILED
 Scale 1/8" = 1'-0"
 Checked DAK
 Drawn CAH
 Issue for Preliminary Bid
 Revisions for Preliminary Bid
 Final Revisions
 Minor Revisions per Comments
 Final Revisions per Comments
 Permit Revisions and Perms
 Hold Perm Commitment

NOTES:
 1. SET CONCRETE PAD ON SUITABLE FINISH GRADE. FINISH GRADE SHALL BE AS SHOWN. LOCATION TO BE ACCESSIBLE FROM VEHICULAR TRAFFIC. FINISH GRADE SHALL BE 1/4" BELOW FINISH GRADE.
 2. FRONT EDGES TO BE 1/4" RADIUS. PAD MUST BE INSTALLED SO THAT THE FRONT IS READILY ACCESSIBLE.
 3. FINISH GRADE SHALL BE 1/4" BELOW FINISH GRADE.
 4. DIMENSIONS AND SIZES SHOWN ARE APPROXIMATE ONLY. COORDINATE ALL SIZES AND DETAILS WITH CMP CO.
 5. GROUND ROD SHALL BE 1/2" DIA. GALVANIZED STEEL. GROUND ROD SHALL BE 1/4" BELOW FINISH GRADE.
 6. 25 1/2" DIA. 1/4" GALV. CONCRETE COVER 1/4" MIN.

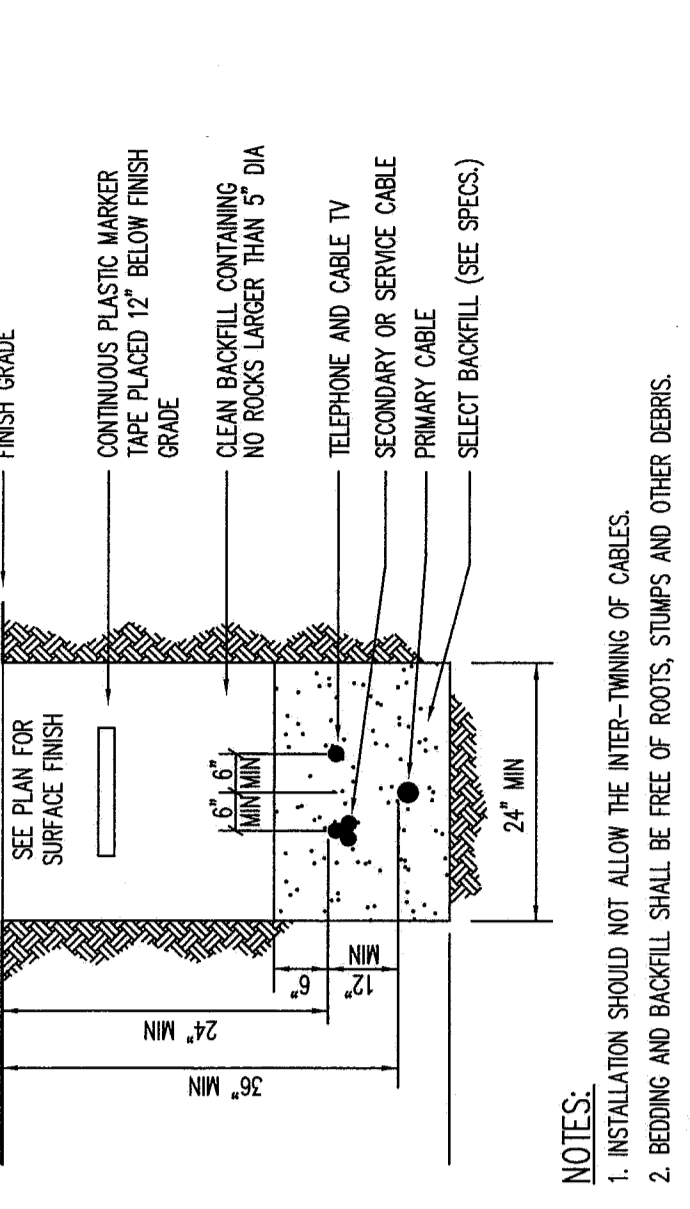


1 TRANSFORMER BOX PAD DETAIL 3'-0" - 9 FT. SQ.
 WITH 1/4" DIA. GROUND ROD

NOTES:
 1. 1/2" DIA. REBAR VERTICAL @ 0.6 C/W. C/W. C/W. OVER TOP TO OPENING.
 2. 1/4" REBAR HORIZONTAL @ 0.6 C/W. EACH WALL.
 3. 4 EXTRA 1/4" REBAR AROUND WINDOW CUTOUTS TO LINE UP WITH REBAR SPACING.
 4. 1/4" REBAR @ 0.6 C/W. BOTH WALLS ON TOP.
 5. REFER TO SPECS OF CMP CO.
 6. PRECAST SLAB AND INSTALL UNDER HAND-MADE REBAR. REBAR SHALL BE 1/4" BELOW FINISH GRADE.
 7. FINAL DESIGN SUBJECT TO CMP CO. APPROVAL.

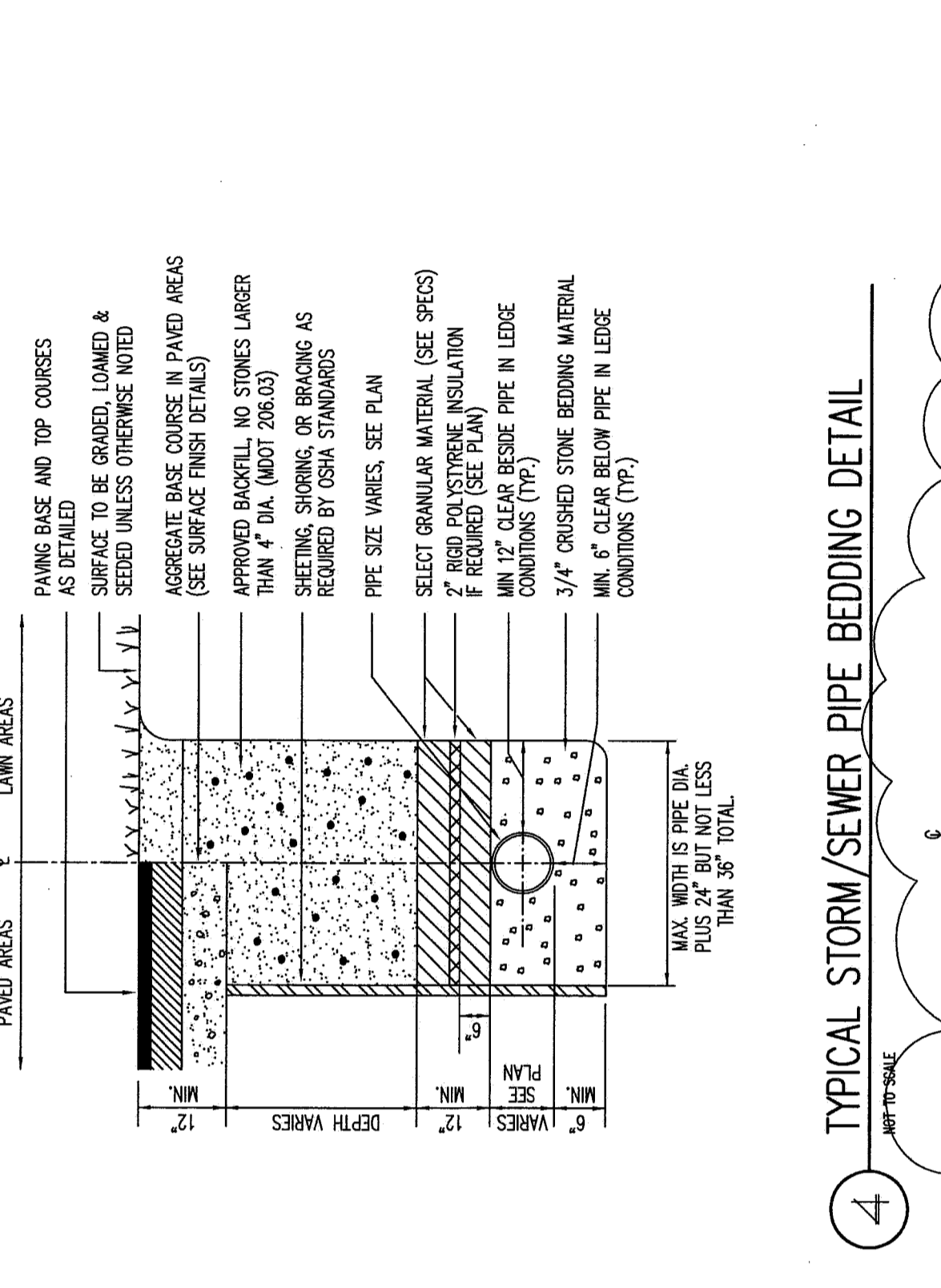


2 ELECTRIC PULLBOX DETAIL WITH 1/4" DIA. REBAR

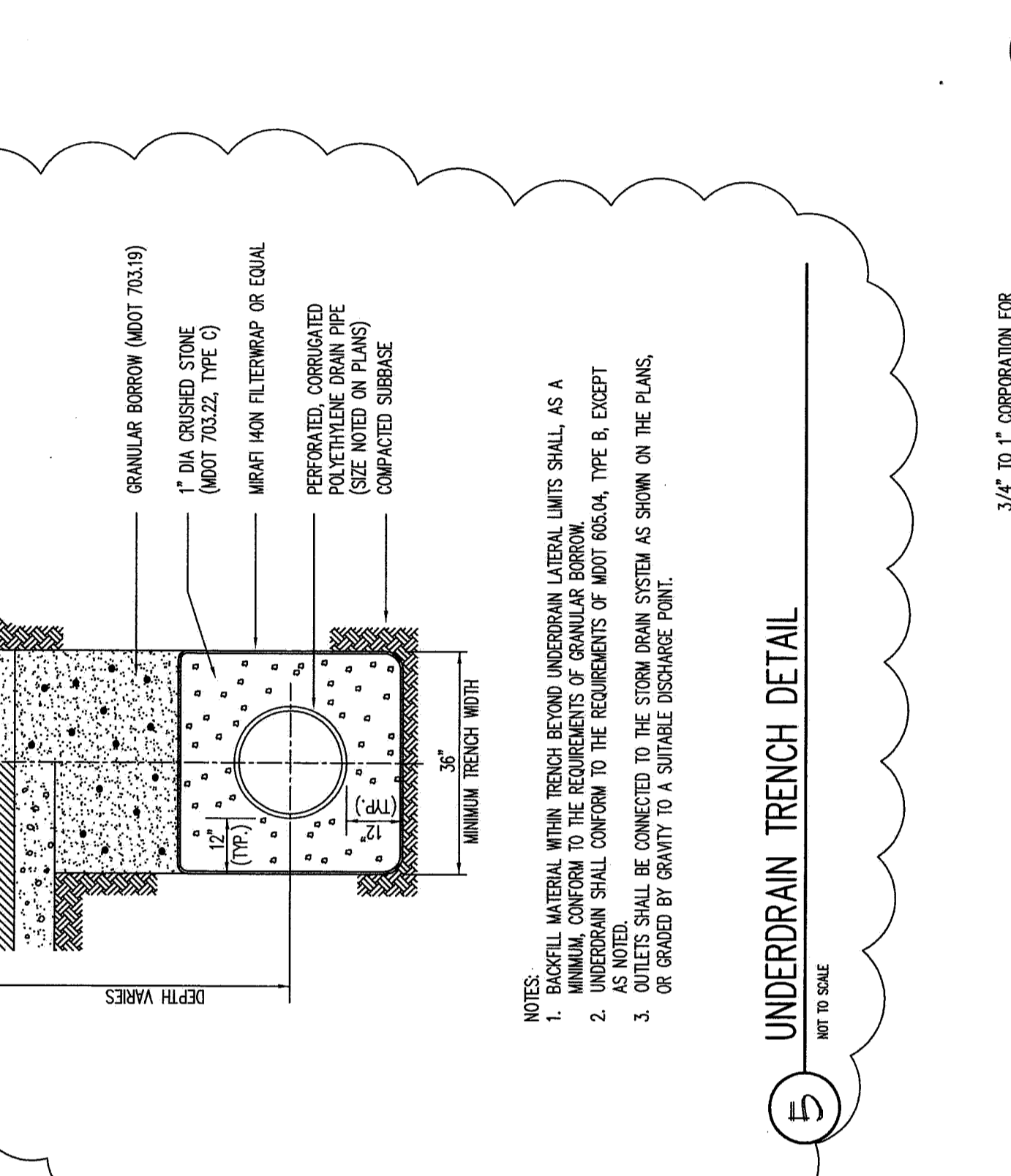


3 TYPICAL UNDERGROUND CABLE TRENCH WITH 1/4" DIA. REBAR

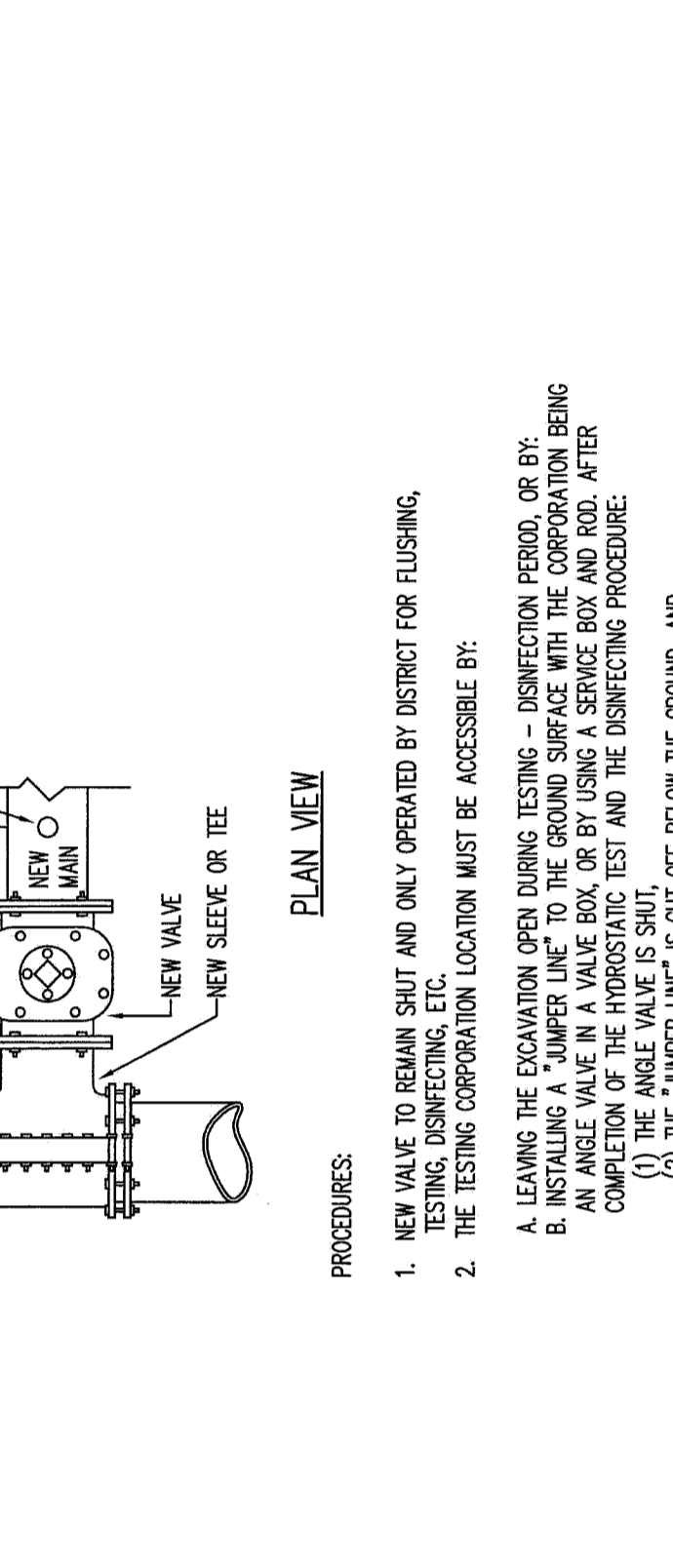
APPLICATION
 8" x 8" PAD: 1500 KVA
 12" x 12" PAD: 2500 KVA
 18" x 18" PAD: 5000 KVA



4 TYPICAL STORM/SEWER PIPE BEDDING DETAIL WITH 1/4" DIA. REBAR

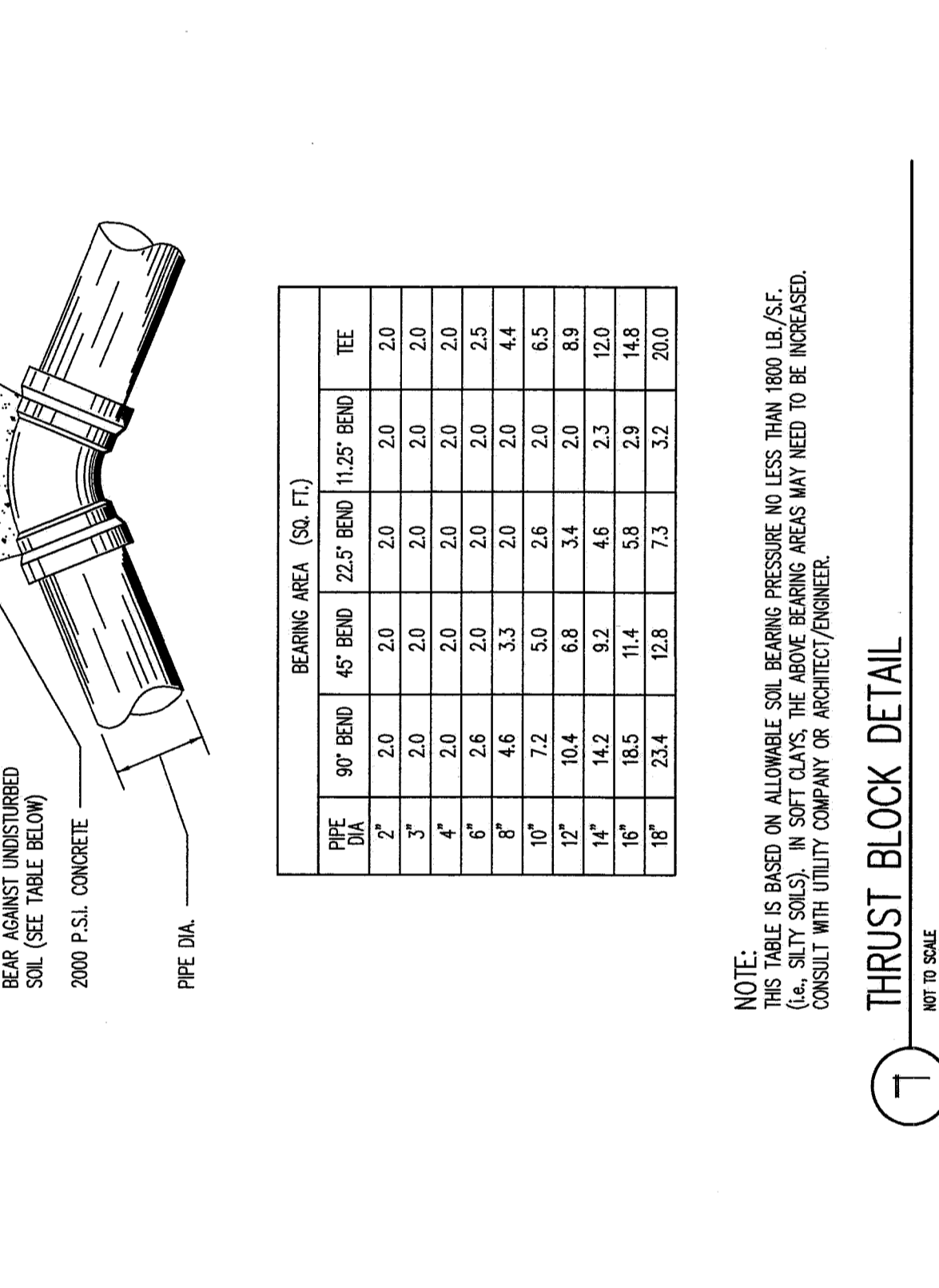


5 UNDERDRAIN TRENCH DETAIL WITH 1/4" DIA. REBAR

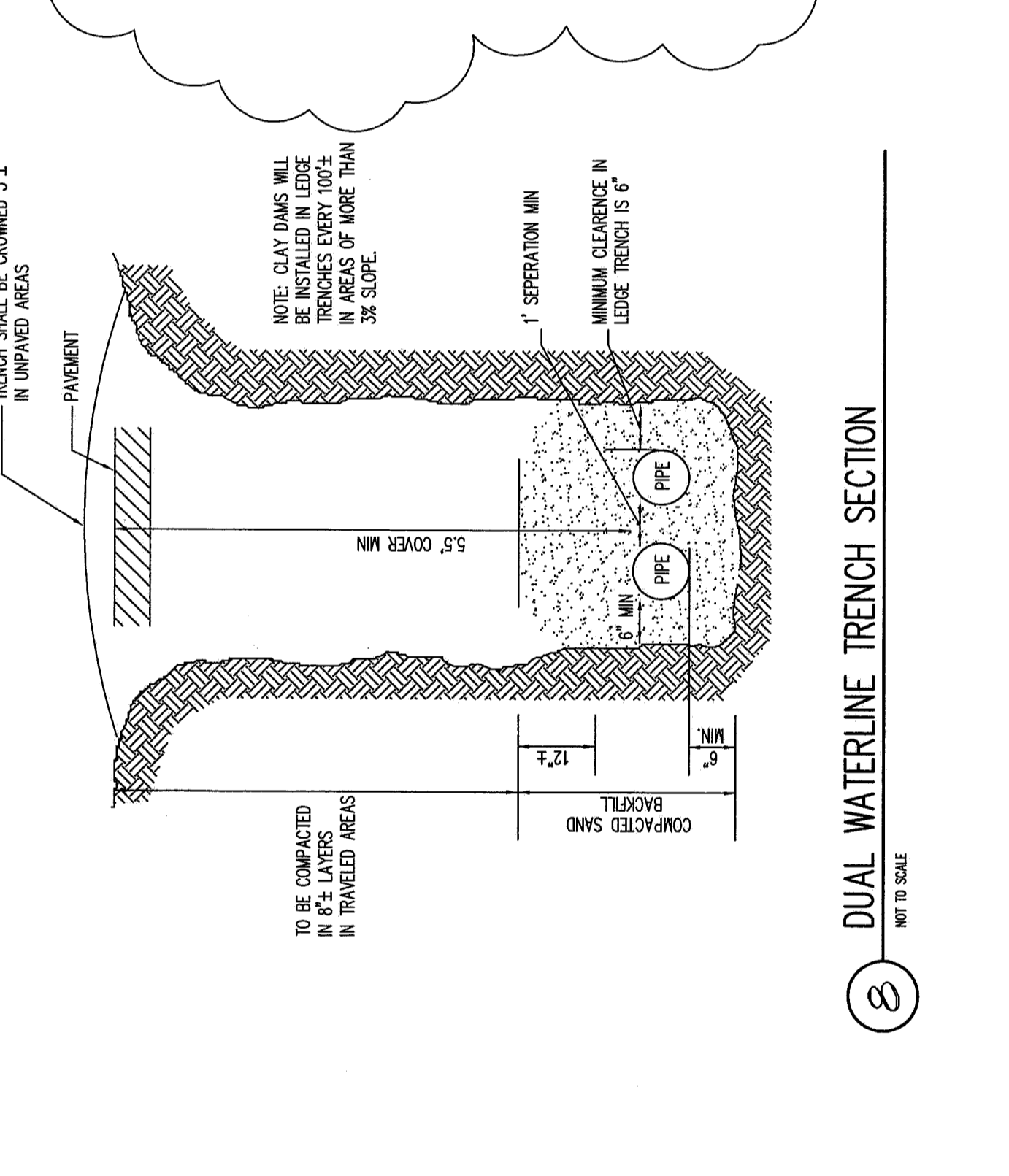


6 NEW WATER MAIN CONNECTION TO EXISTING MAIN WITH 1/4" DIA. REBAR

NOTES:
 1. NEW VALVE TO REMAIN SHUT AND ONLY OPERATED BY DISTRICT FOR FLUSHING.
 2. THE TESTING CONNECTION LOCATION MUST BE ACCESSIBLE PER:
 A. TESTING CONNECTION SHALL BE LOCATED IN THE VALVE BOX OR BY USING A SERVICE BOX AND ROD. AFTER INSTALLING A JAMMER NUT TO THE GROUND SURFACE WITH THE CONNECTION BEING MADE TO THE VALVE BOX OR BY USING A SERVICE BOX AND ROD. AFTER THE VALVE IS SHUT, THE JAMMER NUT IS CUT OFF BELOW THE GROUND, AND THE BOX IS FULLED.
 B. THE BOX IS FULLED.



7 THRUST BLOCK DETAIL WITH 1/4" DIA. REBAR



8 DUAL WATERLINE TRENCH SECTION WITH 1/4" DIA. REBAR

PROCEDURES:
 1. NEW VALVE TO REMAIN SHUT AND ONLY OPERATED BY DISTRICT FOR FLUSHING.
 2. THE TESTING CONNECTION LOCATION MUST BE ACCESSIBLE PER:
 A. TESTING CONNECTION SHALL BE LOCATED IN THE VALVE BOX OR BY USING A SERVICE BOX AND ROD. AFTER INSTALLING A JAMMER NUT TO THE GROUND SURFACE WITH THE CONNECTION BEING MADE TO THE VALVE BOX OR BY USING A SERVICE BOX AND ROD. AFTER THE VALVE IS SHUT, THE JAMMER NUT IS CUT OFF BELOW THE GROUND, AND THE BOX IS FULLED.
 B. THE BOX IS FULLED.

PIPE DIA.	90' BEND	45' BEND	225' BEND	1125' BEND	TIE
6"	2.0	2.0	2.0	2.0	2.0
8"	2.0	2.0	2.0	2.0	2.0
10"	2.0	2.0	2.0	2.0	2.0
12"	2.6	2.6	2.6	2.6	2.6
14"	4.6	3.3	2.0	2.0	4.4
16"	7.2	5.0	2.6	2.0	6.5
18"	11.6	8.2	4.6	2.3	10.0
20"	14.2	9.2	4.6	2.3	10.0
24"	18.5	11.4	5.8	2.9	14.8
30"	23.4	12.8	7.3	3.2	20.0

NOTE:
 THIS TABLE IS BASED ON ALLOWABLE SOIL BEARING PRESSURE NO LESS THAN 1000 LB./SQ. FT. IN UNPAVED AREAS. IN PAVED AREAS, THE BEARING PRESSURE MAY BE HIGHER. CONSULT WITH UTILITY COMPANY OR ARCHITECT/ENGINEER.



PLACE THRUST BLOCK AGAINST UNDISTURBED SOIL.
 SURFACE AREA OF BLOCK TO BE 1/4" BELOW FINISH GRADE.
 2000 P.S.I. CONCRETE.



TRENCH SHALL BE DOWNGRADED 1/4" BELOW FINISH GRADE



PLACE THRUST BLOCK AGAINST UNDISTURBED SOIL.
 SURFACE AREA OF BLOCK TO BE 1/4" BELOW FINISH GRADE.
 2000 P.S.I. CONCRETE.



TRENCH SHALL BE DOWNGRADED 1/4" BELOW FINISH GRADE

