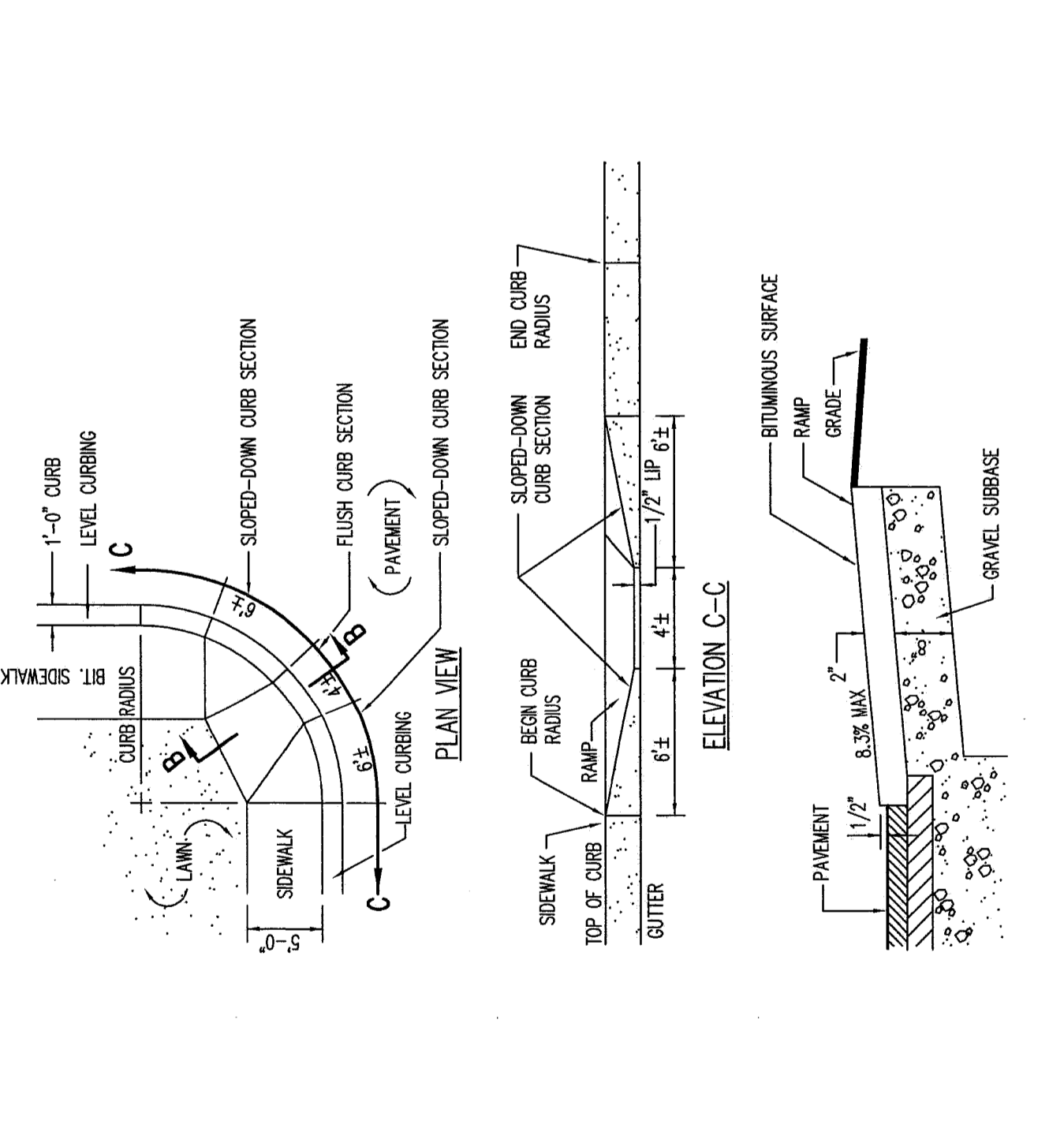
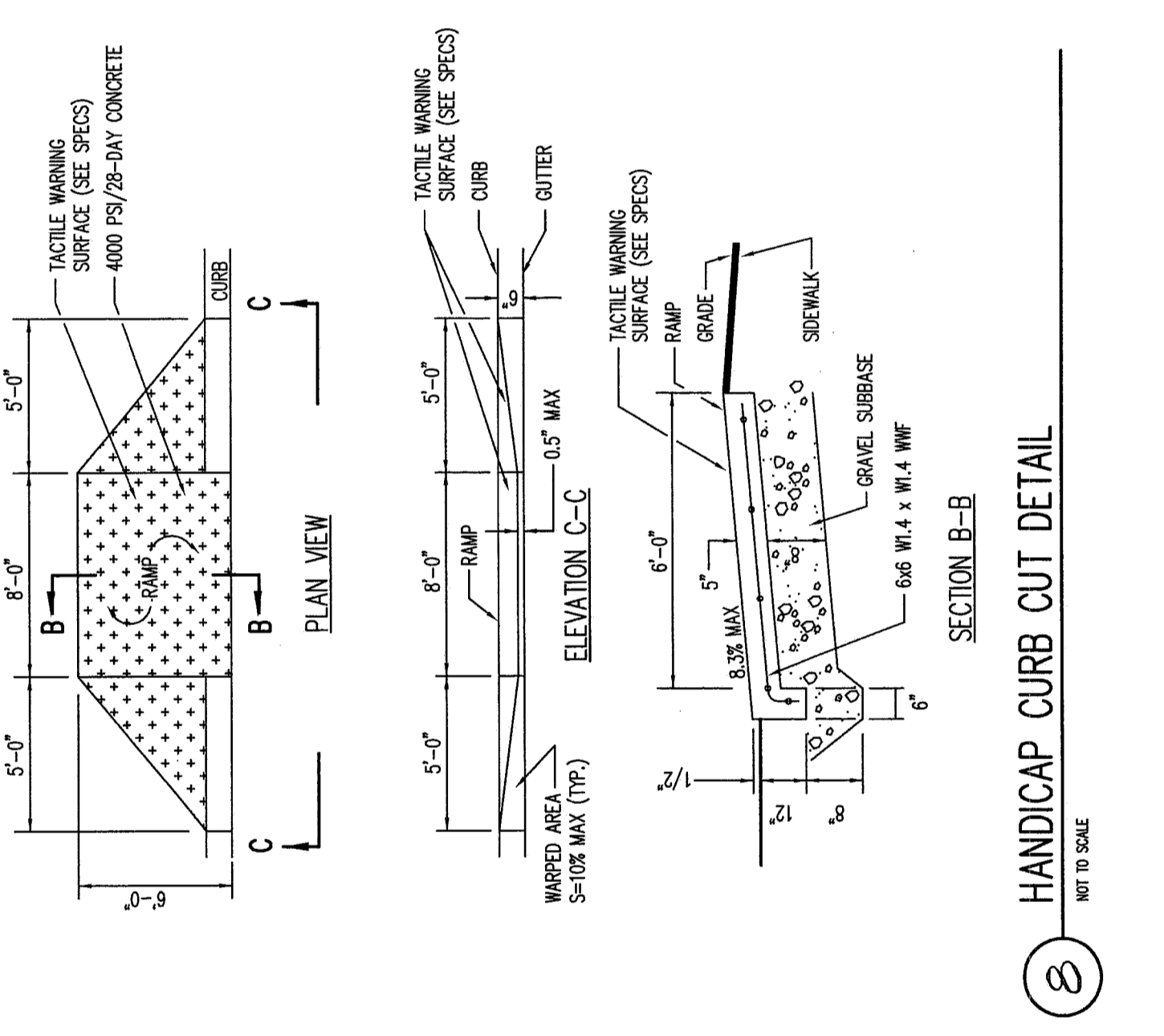


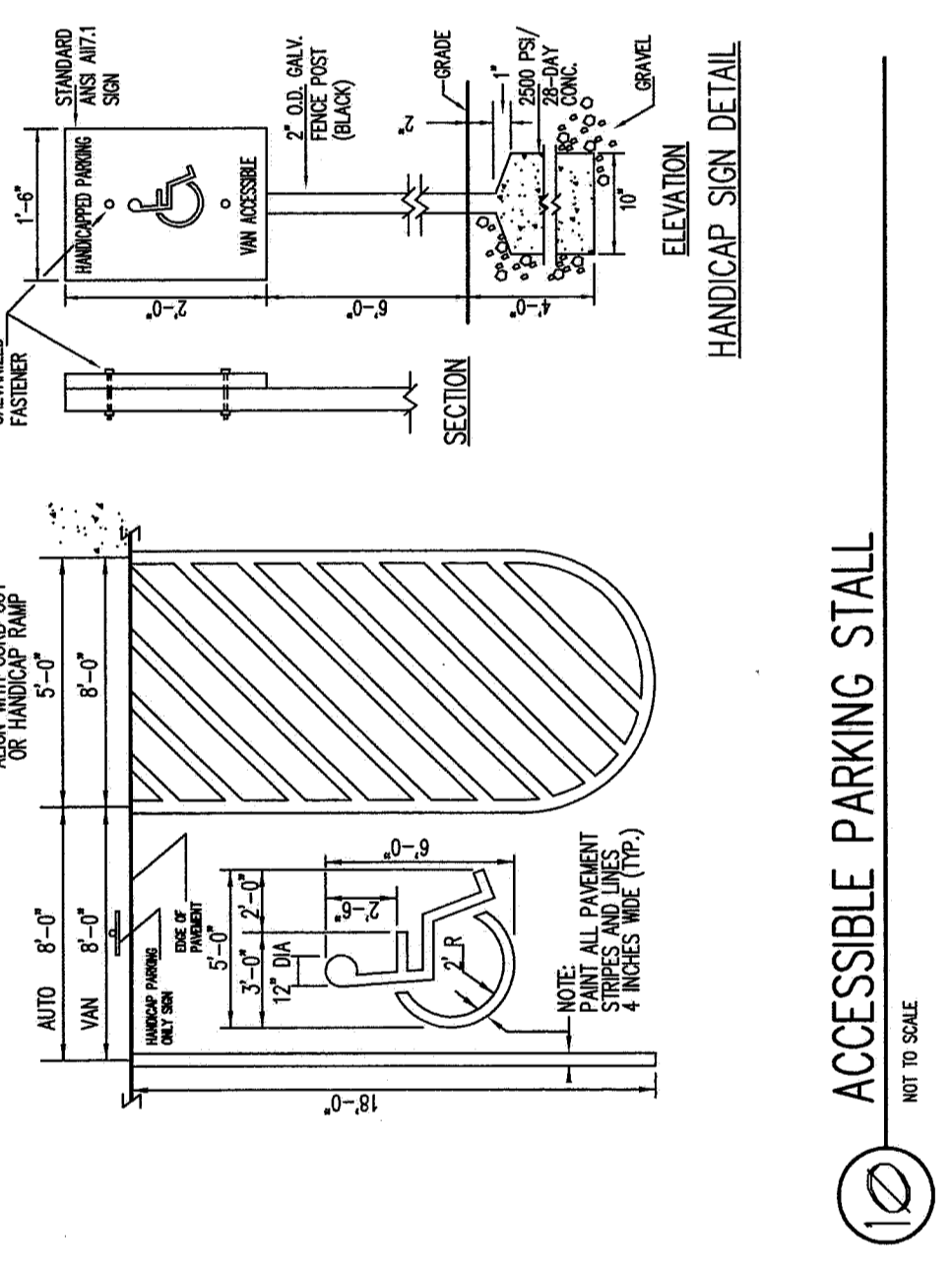
11. STAND ALONE CONCRETE SITE STAIR SECTION
NOT TO SCALE



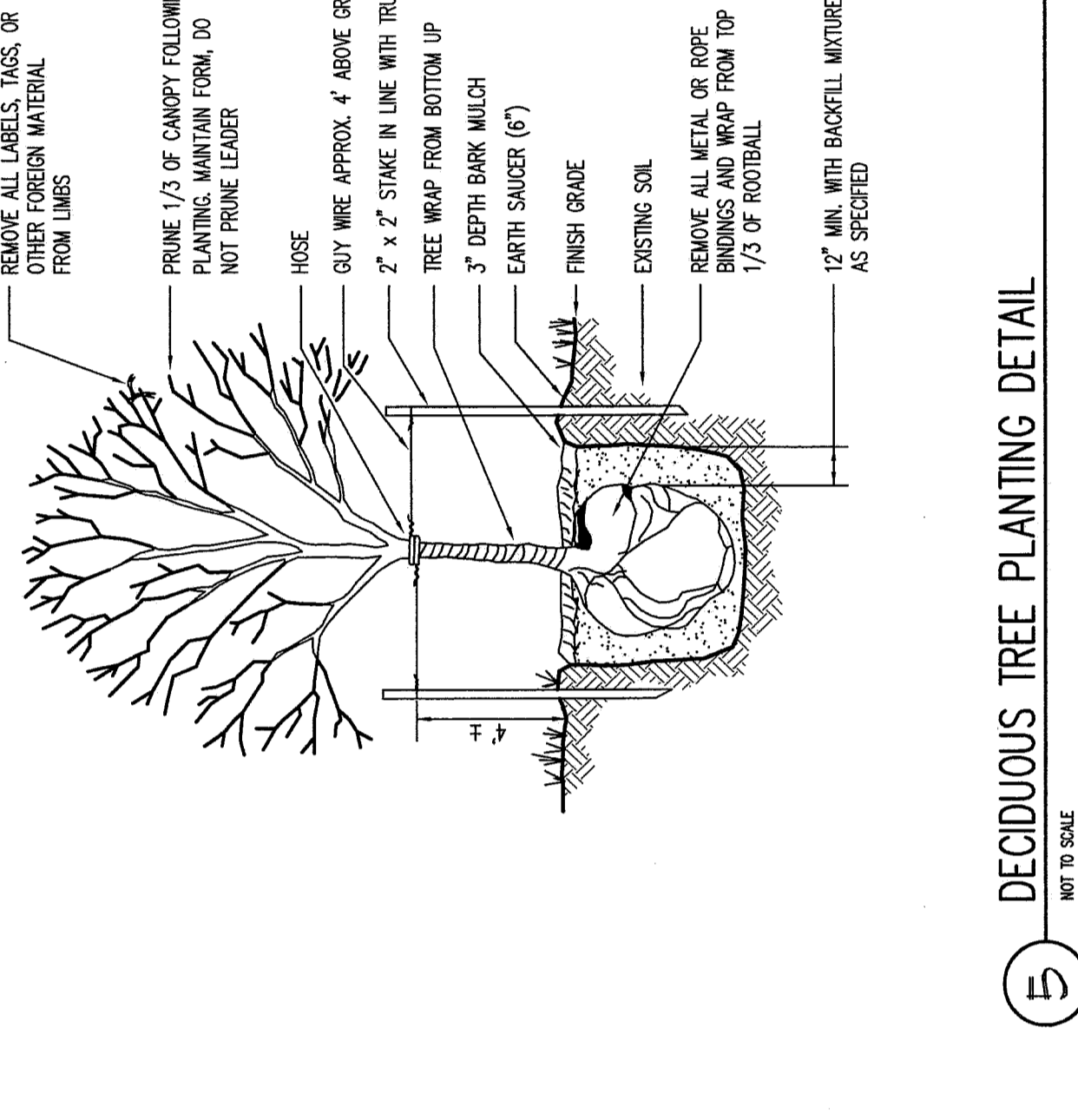
12. HANDICAP CURB CUT & SIDEWALK RAMP
NOT TO SCALE



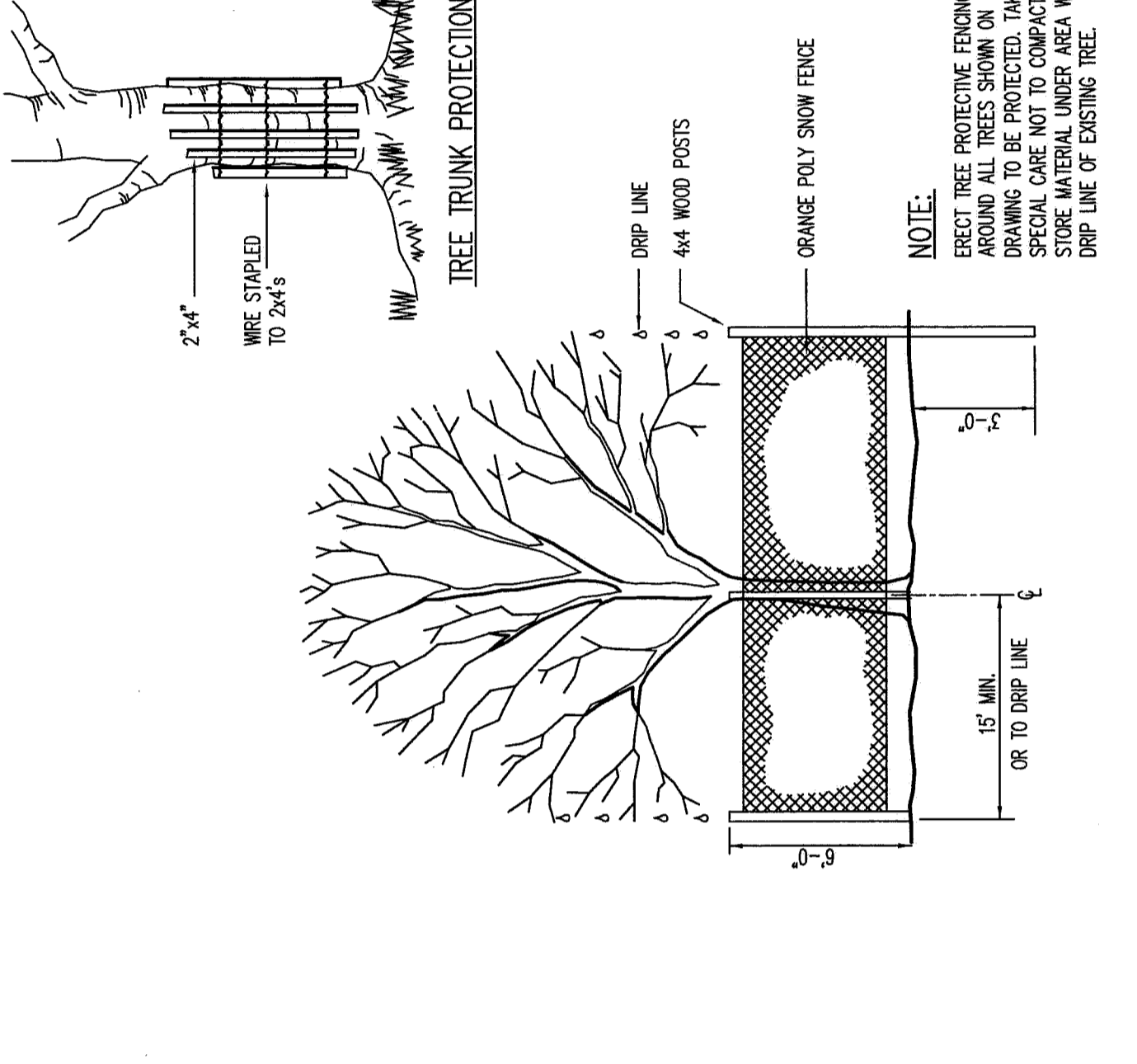
8. HANDICAP CURB CUT DETAIL
NOT TO SCALE



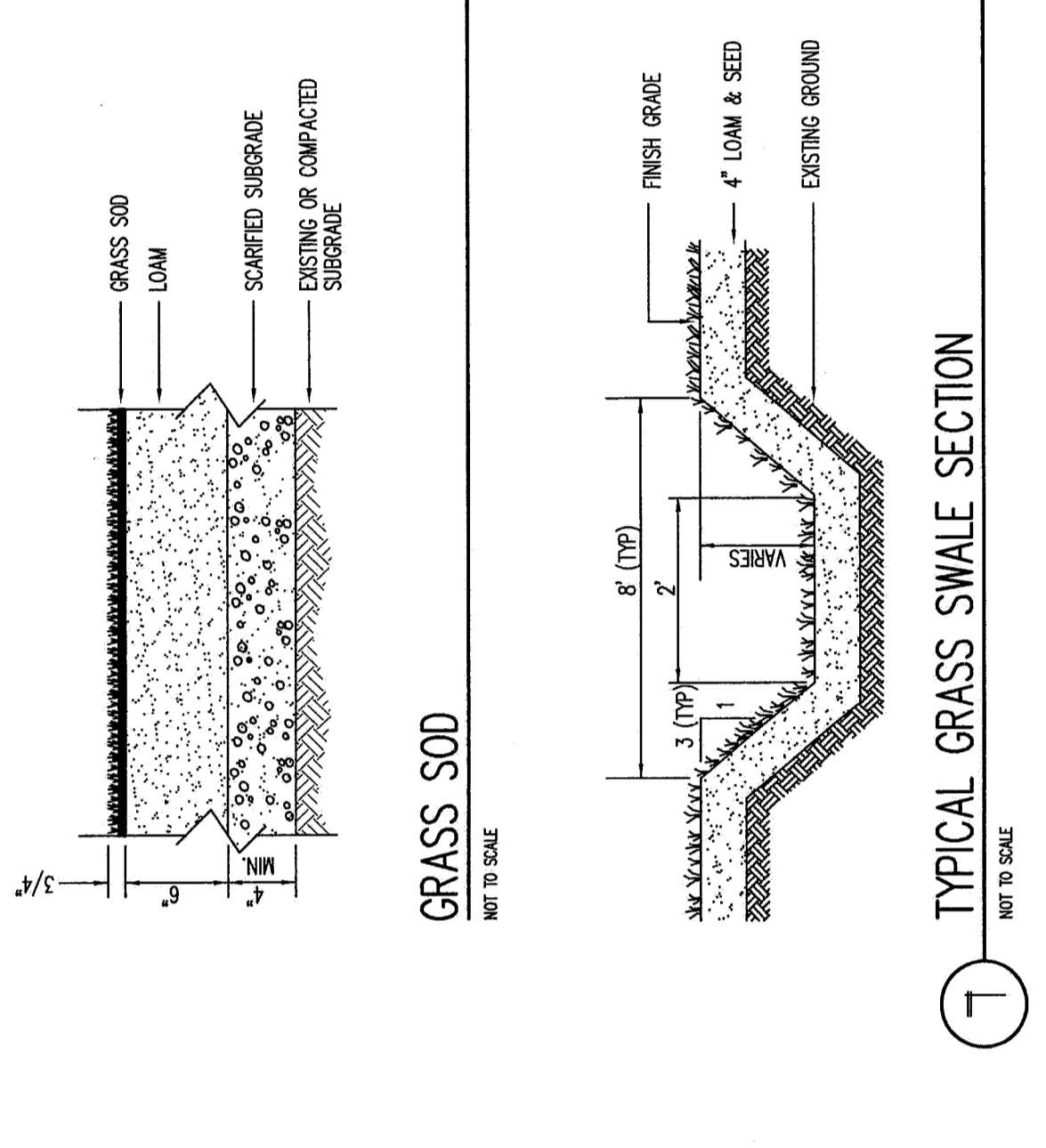
10. ACCESSIBLE PARKING STALL
NOT TO SCALE



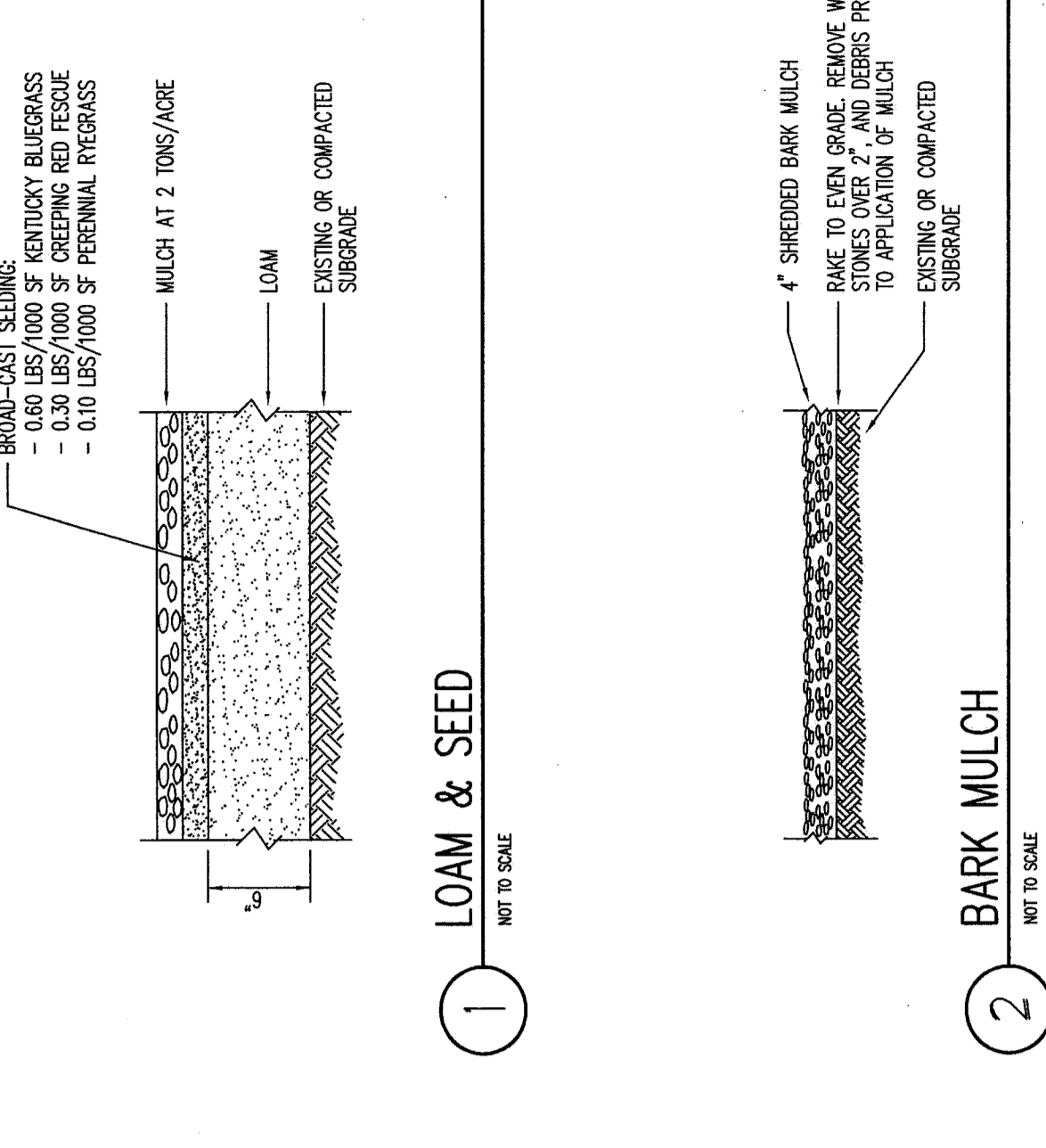
5. DECIDUOUS TREE PLANTING DETAIL
NOT TO SCALE



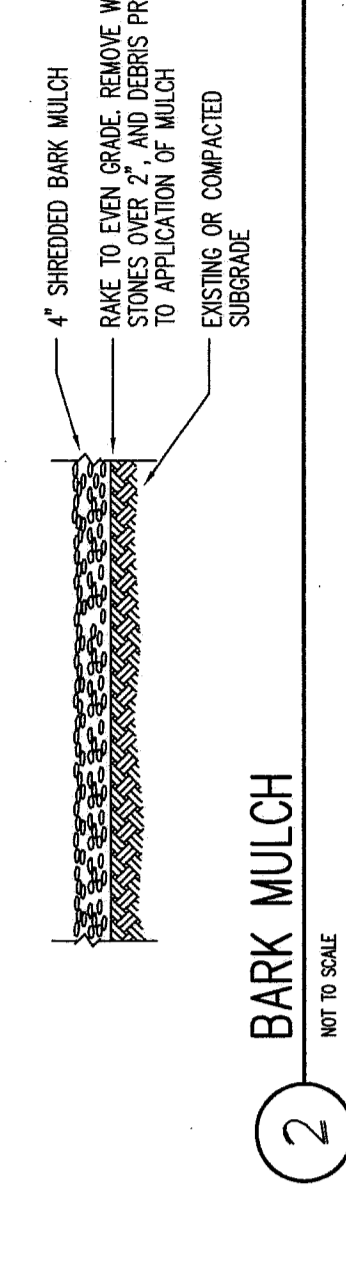
6. EXISTING TREE TEMPORARY PROTECTIVE FENCING
NOT TO SCALE



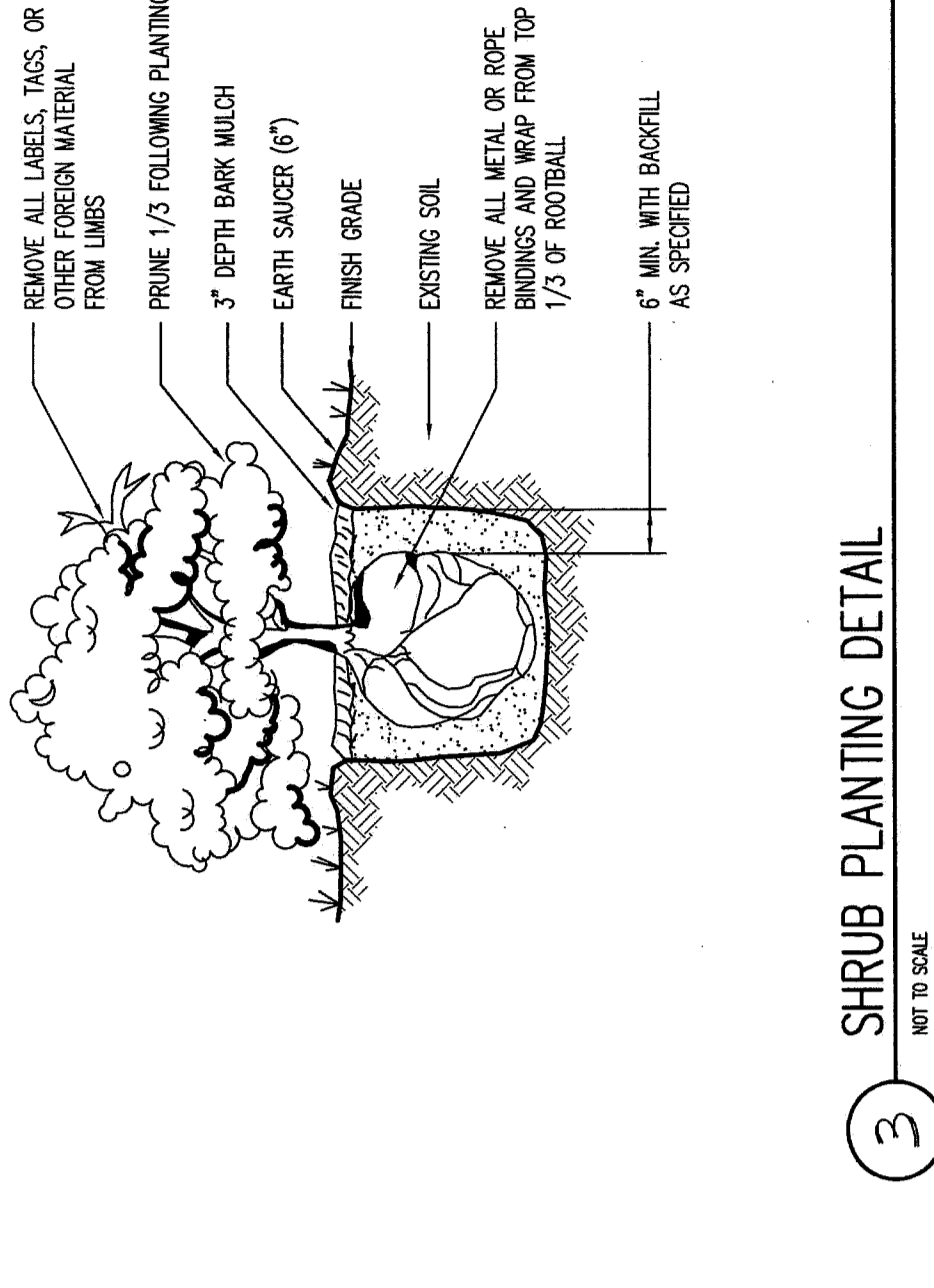
7. TYPICAL GRASS SWALE SECTION
NOT TO SCALE



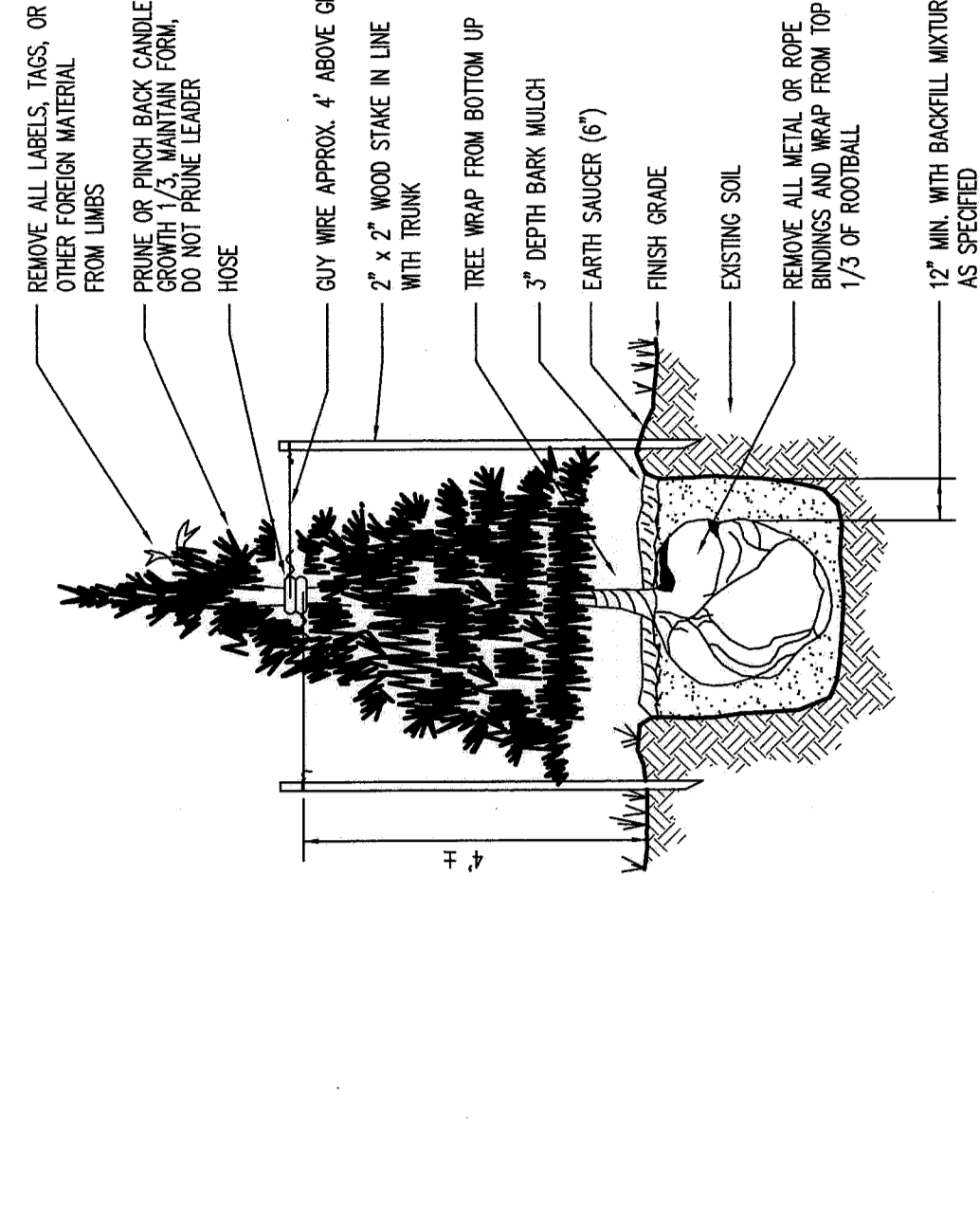
1. LOAM & SEED
NOT TO SCALE



2. BARK MULCH
NOT TO SCALE



3. SHRUB PLANTING DETAIL
NOT TO SCALE



4. EVERGREEN TREE PLANTING DETAIL
NOT TO SCALE