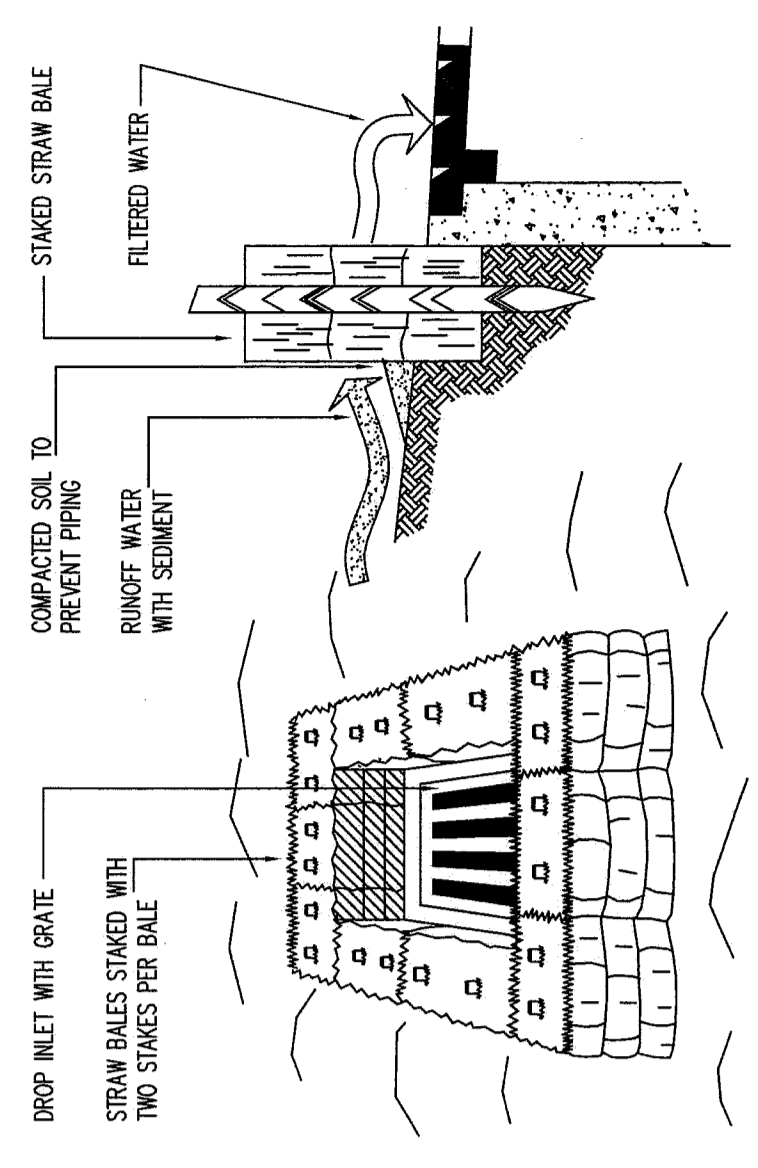


Revision	Drawn	Checked	Scale	Date
ISSUE FOR PRELIMINARY BID	CLM	CLM	AS SHOWN	5-11-05
RE-ASSIGN FOR PRELIMINARY BID	CLM	CLM	AS SHOWN	6-27-05
FINAL SITE PLAN REVIEW	CLM	CLM	AS SHOWN	7-22-05
MINOR REVISIONS PER COMMENTS	CLM	CLM	AS SHOWN	8-18-05
GENERAL REVISIONS	CLM	CLM	AS SHOWN	9-08-05
PERMIT SUBMISSION, NO REVS	CLM	CLM	AS SHOWN	10-14-05
ISSUE FOR COMMITMENT	CLM	CLM	AS SHOWN	11-22-05

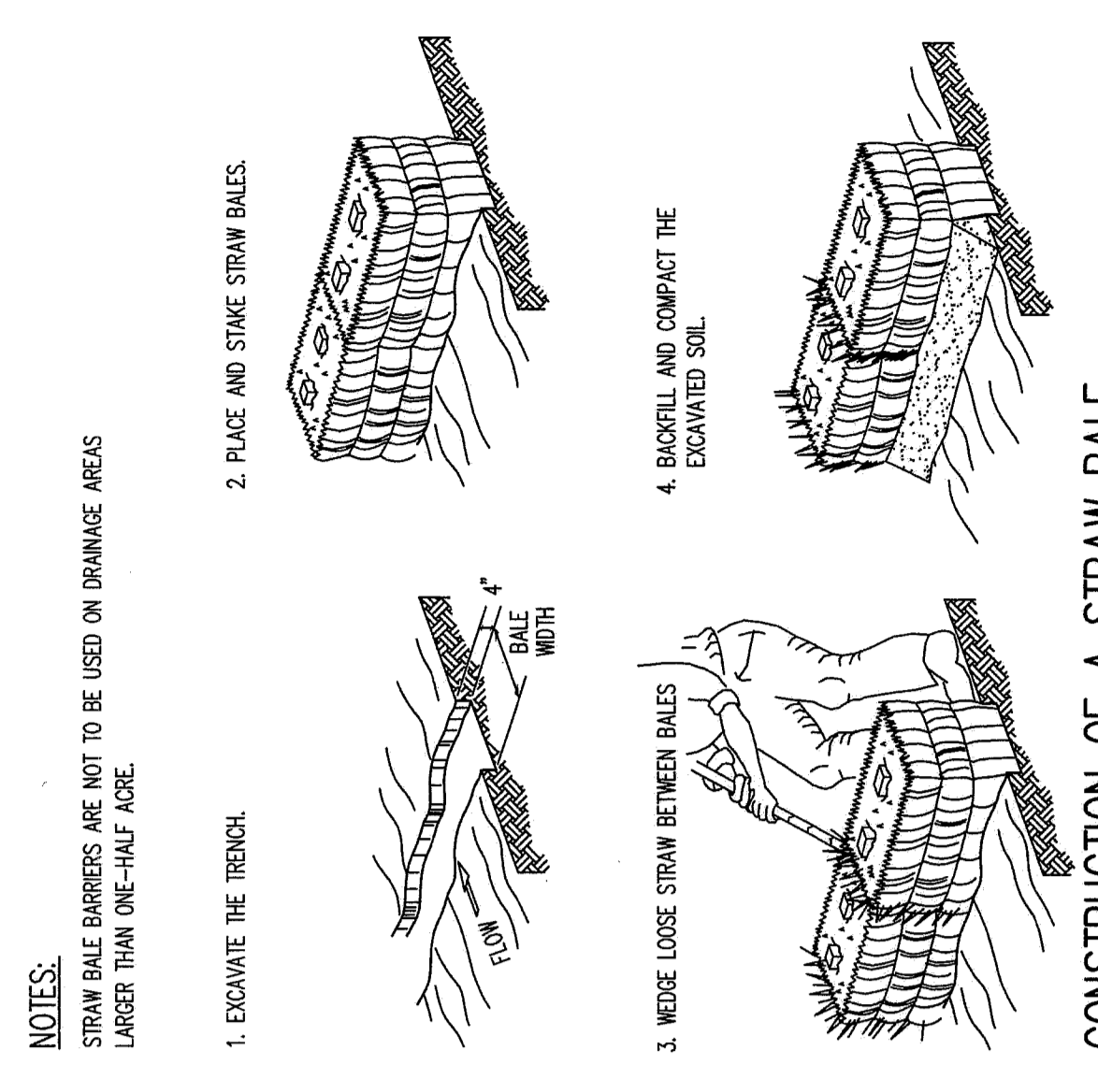
DETAILS

Job No. 30261
 Sheet
 C-8

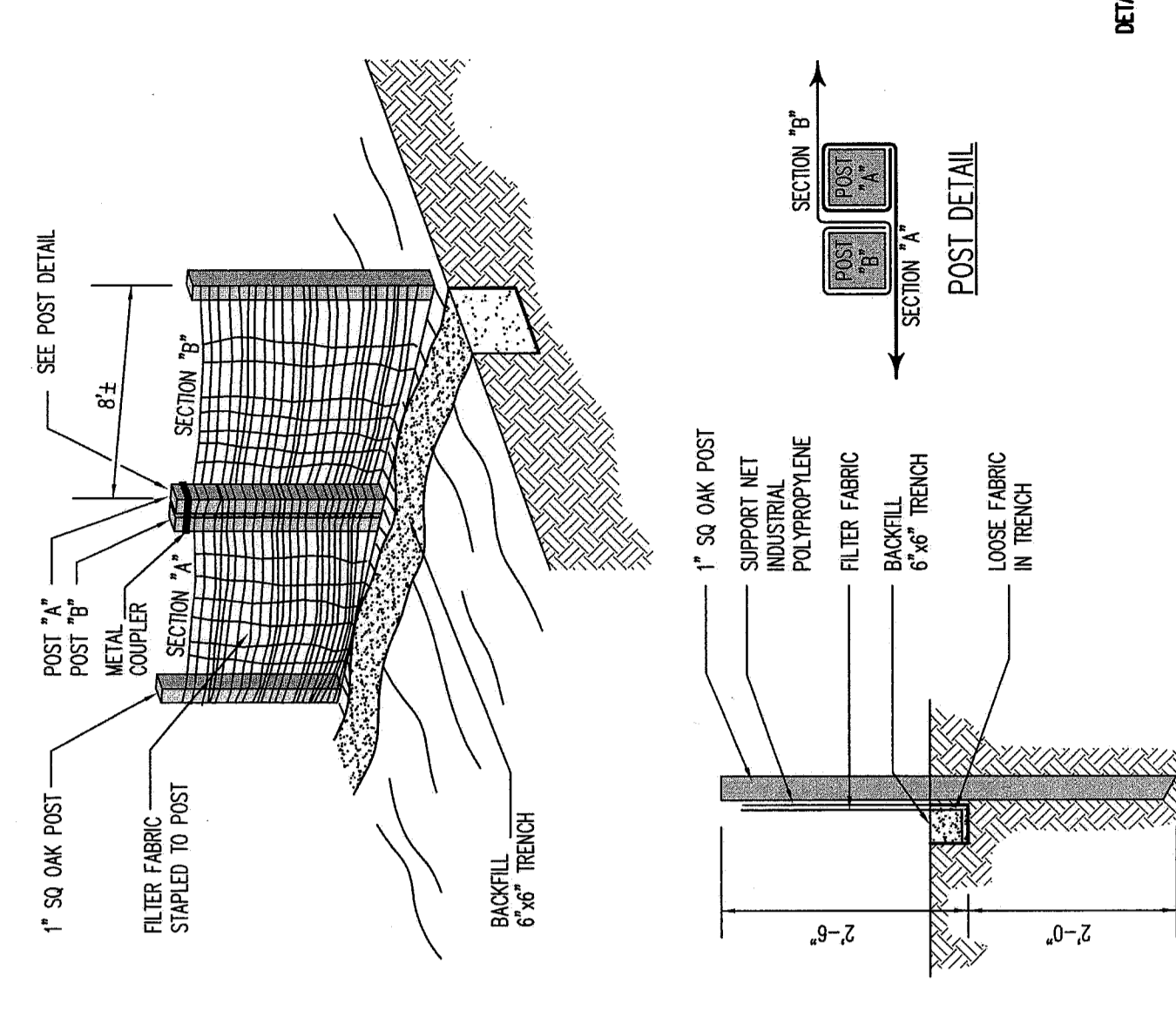


SPECIFIC APPLICATION:
 THIS METHOD OF CONSTRUCTION IS APPLICABLE WHERE THE DRAINAGE AREA (SLOPES NO GREATER THAN 3 PERCENT) WHERE SHEET OR OVERLAND FLOWS (NOT EXCEEDING 65 US) ARE TYPICAL. THE METHOD SHALL NOT APPLY TO INLETS RECEIVING CONCENTRATED FLOWS, SUCH AS IN STREETS OR HIGHWAY RIGHTWAYS.

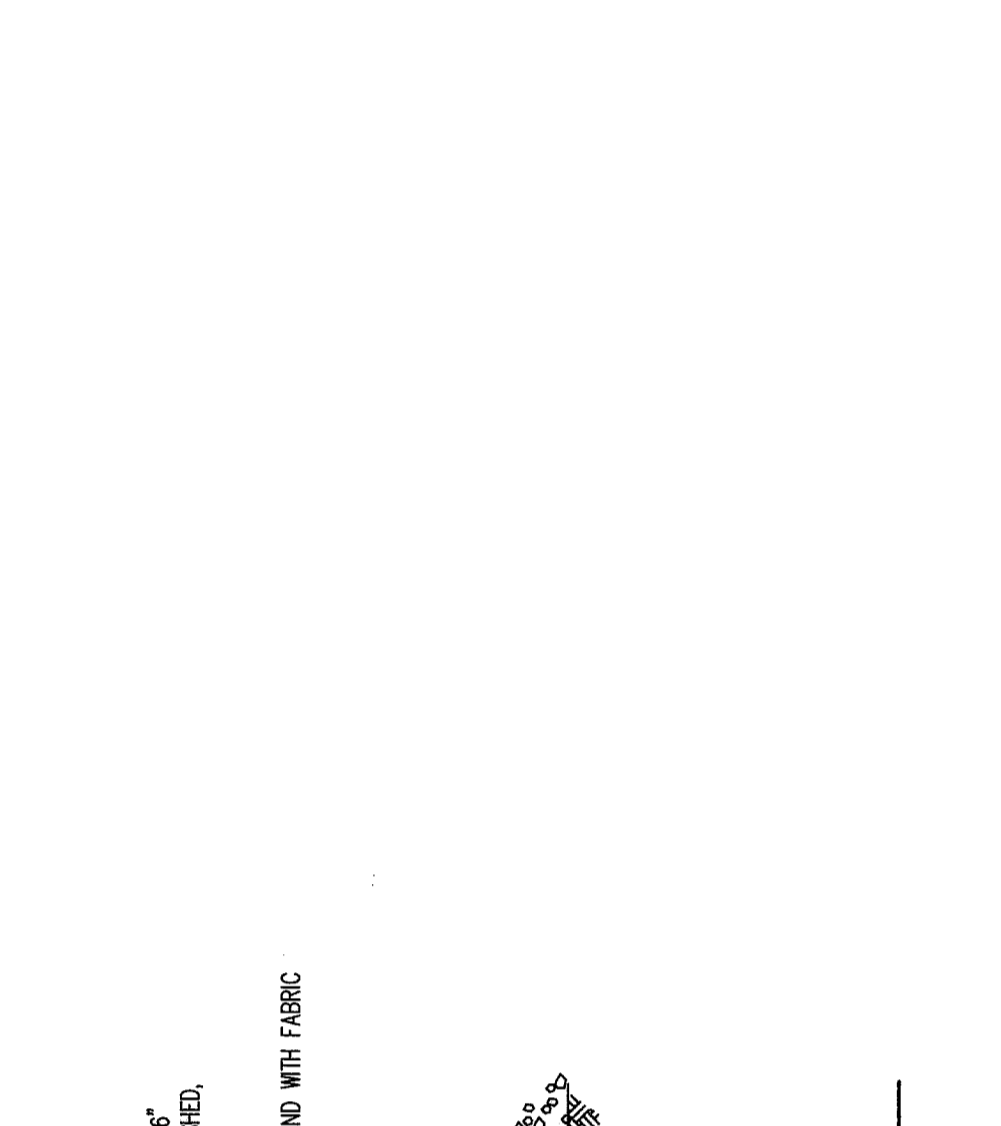
1 STRAW BALE DROP INLET SEDIMENT FILTER
 NOT TO SCALE



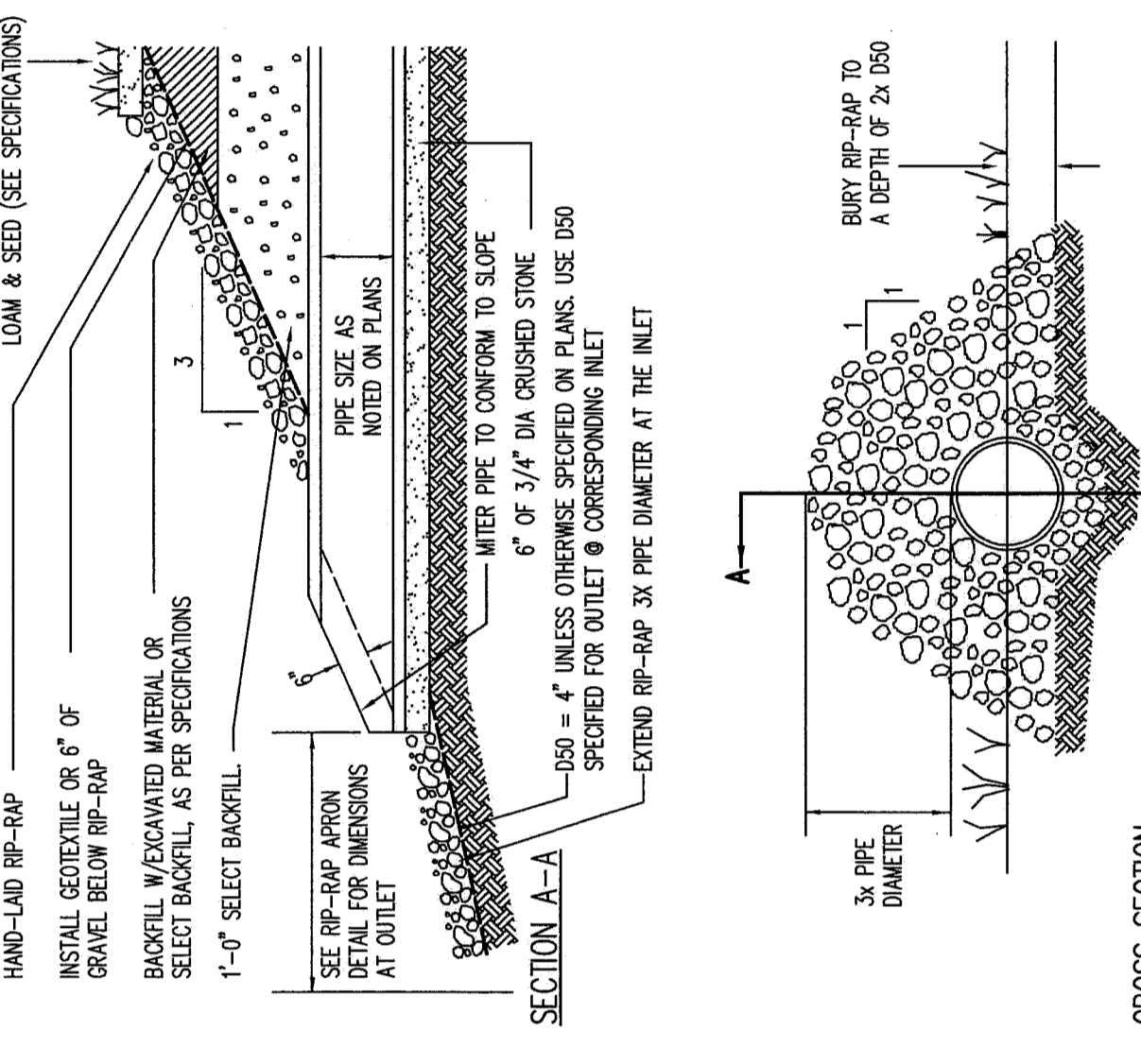
2 CONSTRUCTION OF A STRAW BALE SEDIMENT FILTER BARRIER
 NOT TO SCALE



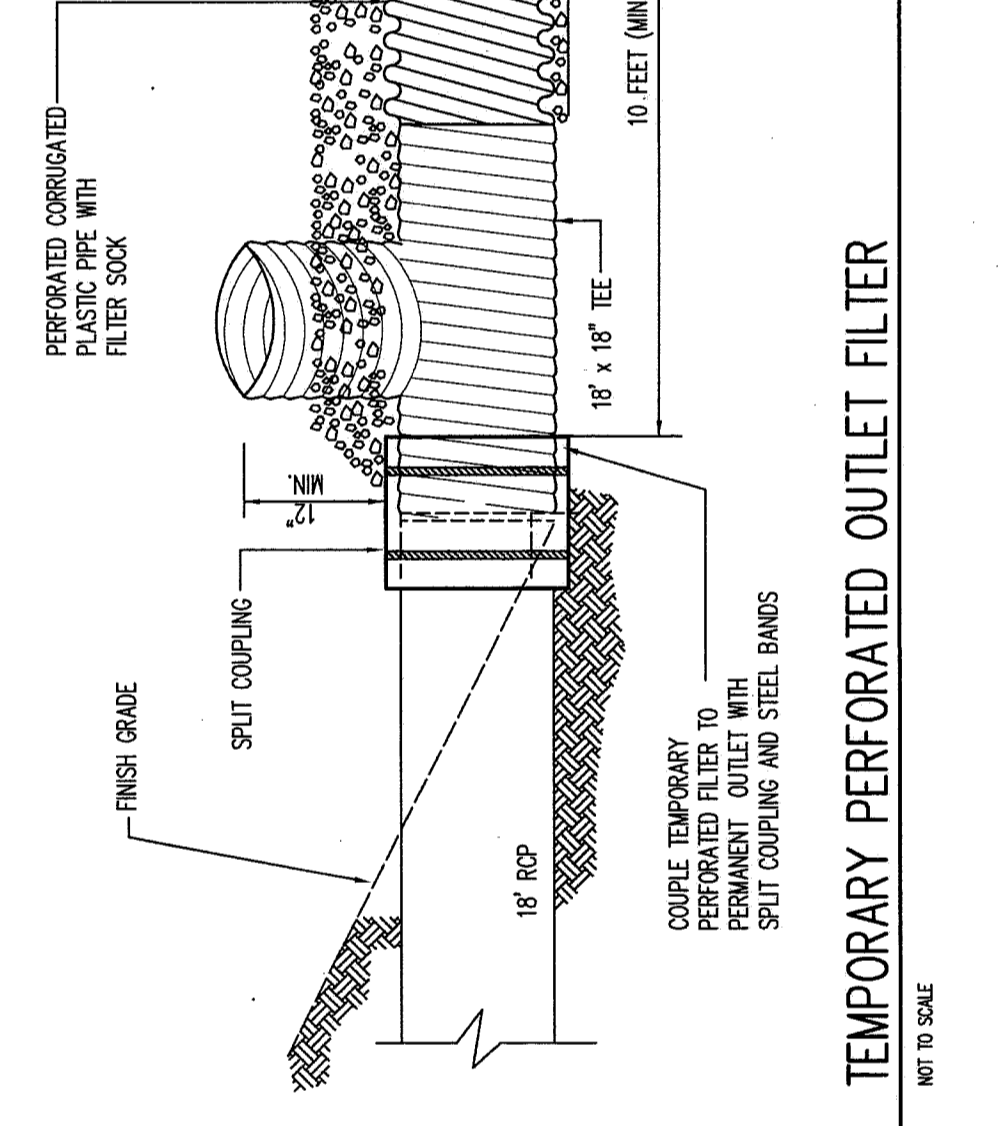
3 PREFABRICATED SILT FENCE
 NOT TO SCALE



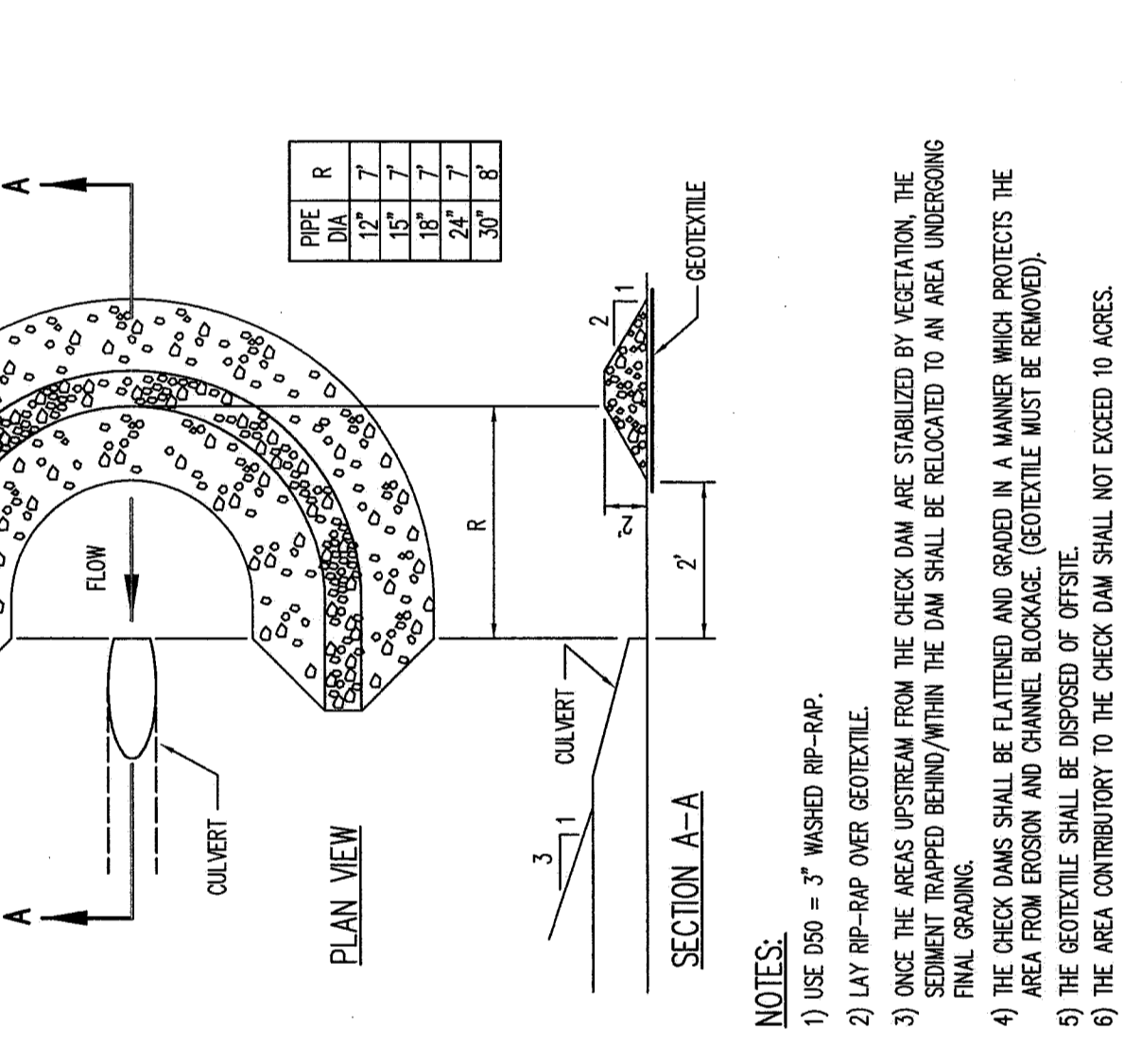
4 RIP-RAP HEADWALL (ALL CULVERT INLETS)
 NOT TO SCALE



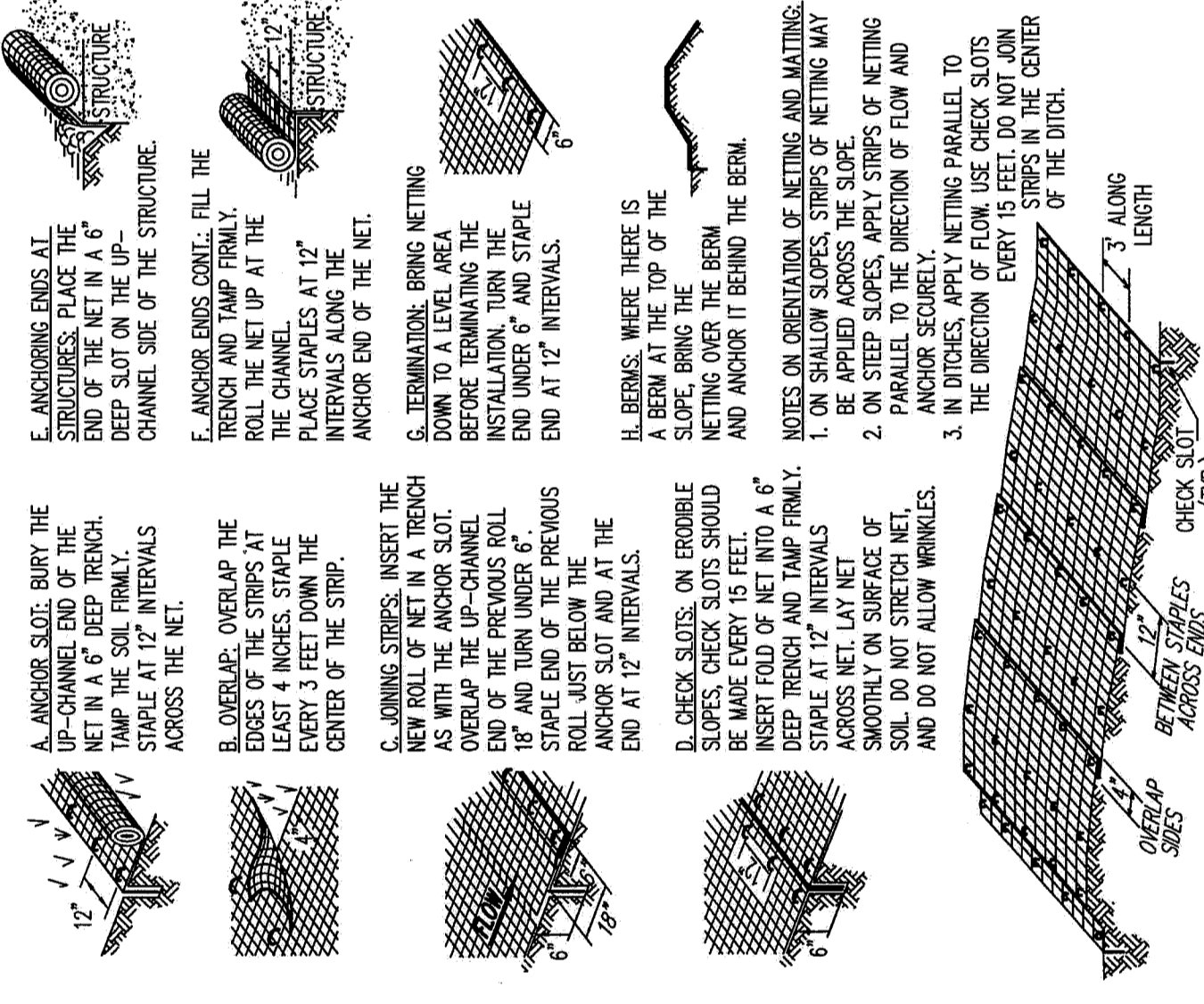
5 RIP-RAP APRON (ALL CULVERT & DRAIN OUTLETS)
 NOT TO SCALE



6 TEMPORARY PERFORATED OUTLET FILTER
 NOT TO SCALE



7 TEMPORARY CHECK DAM AT CULVERT ENTRANCE
 NOT TO SCALE



8 GENERAL INSTALLATION OF EROSION CONTROL NETTING & MATTING
 NOT TO SCALE

DETAIL SHEETS RENUMBERED

DETAIL SHEETS RENUMBERED

DETAIL SHEETS RENUMBERED

DETAIL SHEETS RENUMBERED

DETAIL SHEETS RENUMBERED

DETAIL SHEETS RENUMBERED