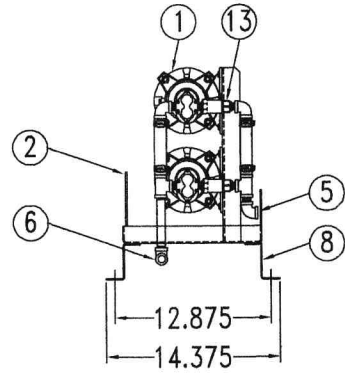
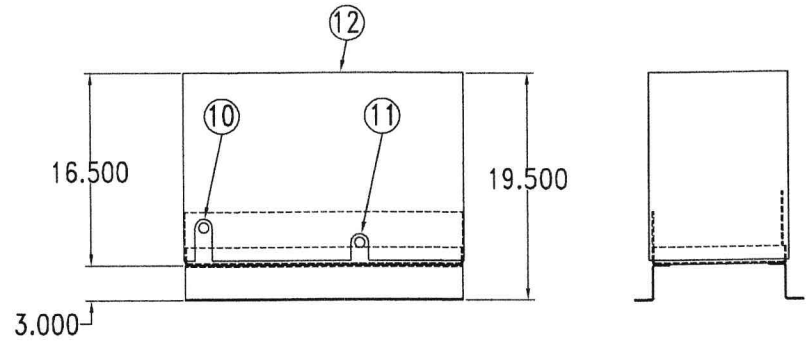


FRONT VIEW

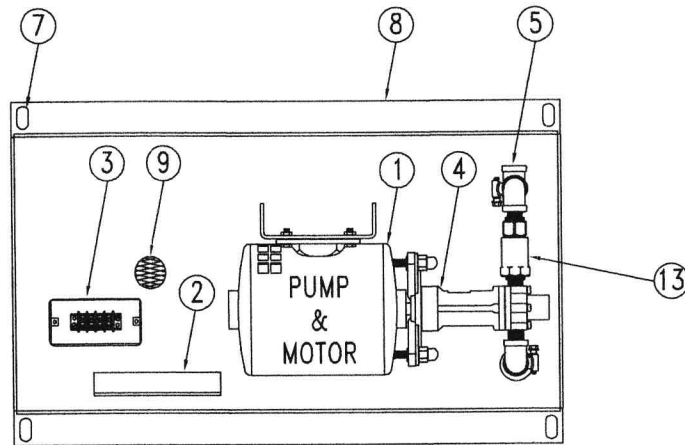


RIGHT SIDE VIEW



REAR VIEW

LEFT SIDE VIEW



ENLARGED TOP VIEW
SCALE - 2 X'S

DESCRIPTION OF EQUIPMENT	
1	MOTOR
2	CONTROL PANEL W/ PUMP RUNNING LIGHTS
3	JUNCTION BOX WITH TERMINAL BLOCK
4	BRONZE GEAR PUMP
5	3/8" NPT FUEL INLET TO PUMP
6	3/8" NPT FUEL OUTLET FROM PUMP
7	1/2" SLOTTED MTG. HOLES
8	3" FORMED CHANNEL LEG
9	VENT HOLE FOR MOTOR IN BOTTOM
10	FUEL INLET THRU COVER
11	ELECTRICAL INLET THRU COVER
12	REMOVEABLE WEATHERPROOF COVER
13	1/2" NPT CHECK VALVE

397B STANDARD REMOTE PUMPING UNIT



DRAWN BY: JCC	SHEET NO. 1 of 1
CHECKED BY: DJW	SCALE: 1=15
	DWG. NUMBER: 397B

WAS DWG. NUMBER: GRPU STD