



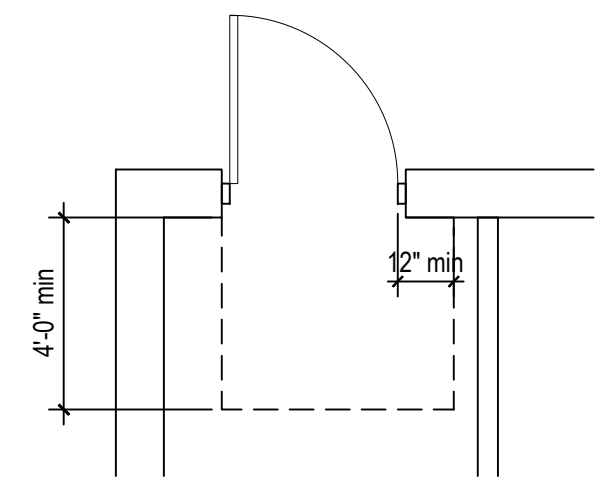
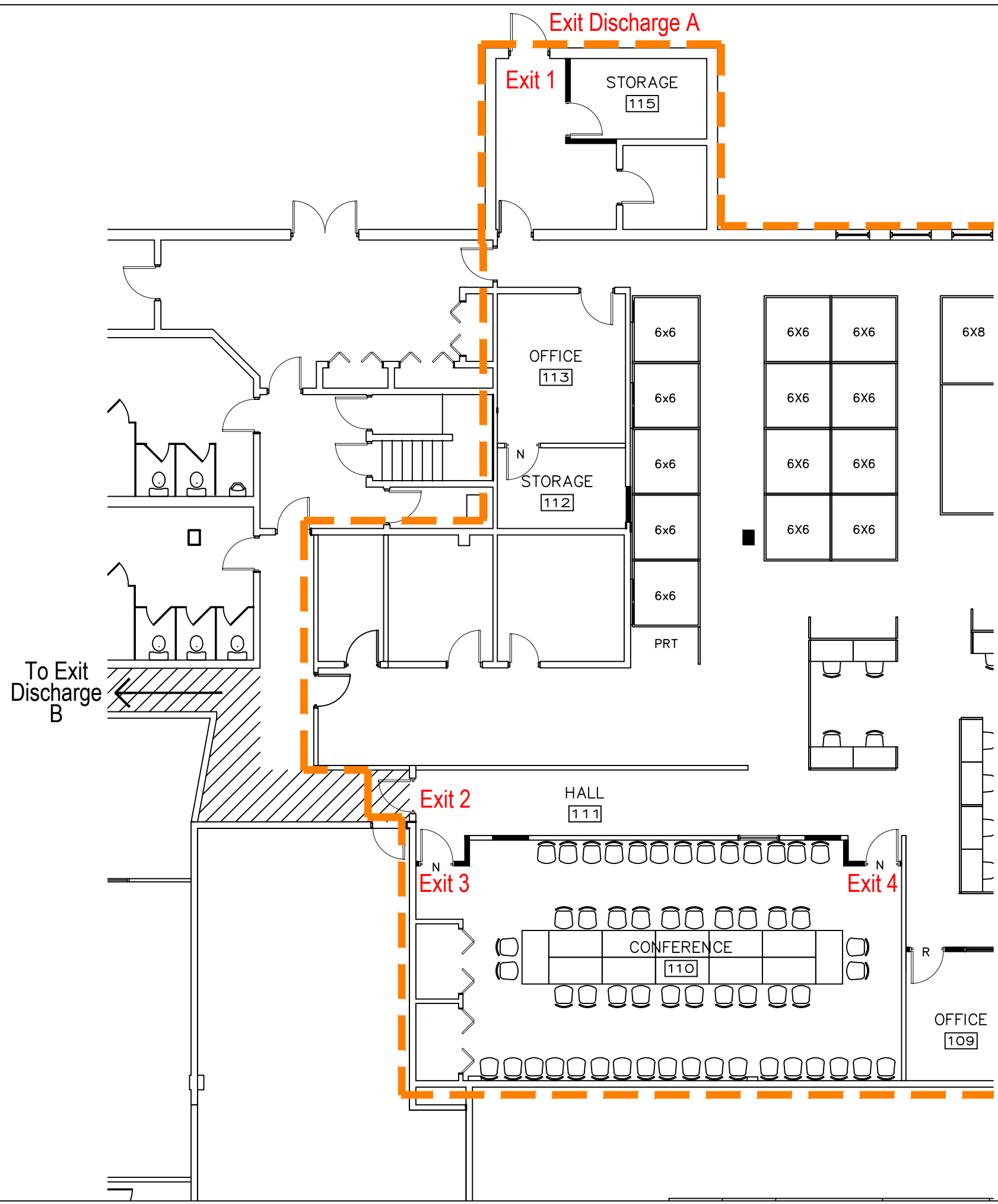
**Josef Chalut, Architect**  
327 Ocean House Road, Cape Elizabeth, Maine 04107  
ph. 207 318 3234, email: azimuth@maine.rr.com

Code Analysis  
January 23, 2017

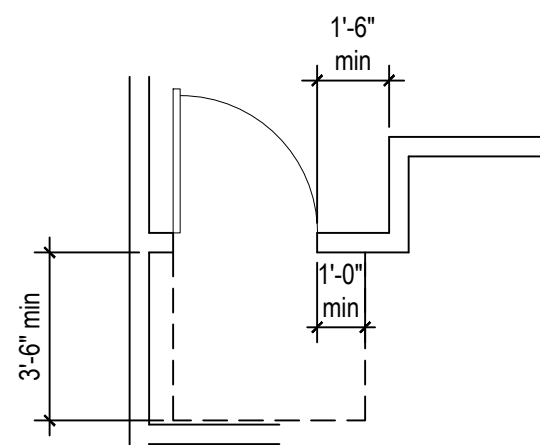
Tenant Space Renovation, Maine Health  
901 Washington Avenue, Portland ME  
Code Analysis

Diagram  
**4**

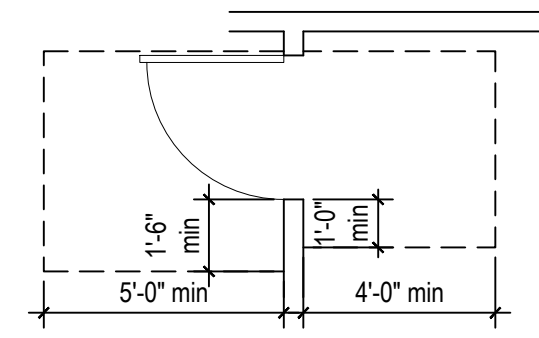
### Maneuvering clearance at doors



Exit 1 clearance required



Exit 3 clearance required



Exit 2 and Exit 4 clearance required

Exits 2, 3, and 4:  
36" wide doors with closers  
and panic hardware required

Exit 1 is an existing 42" wide  
door"