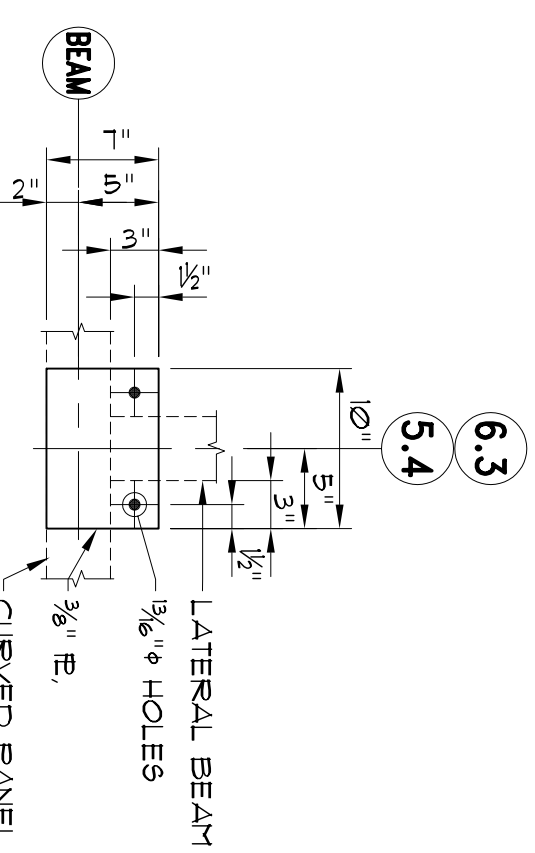


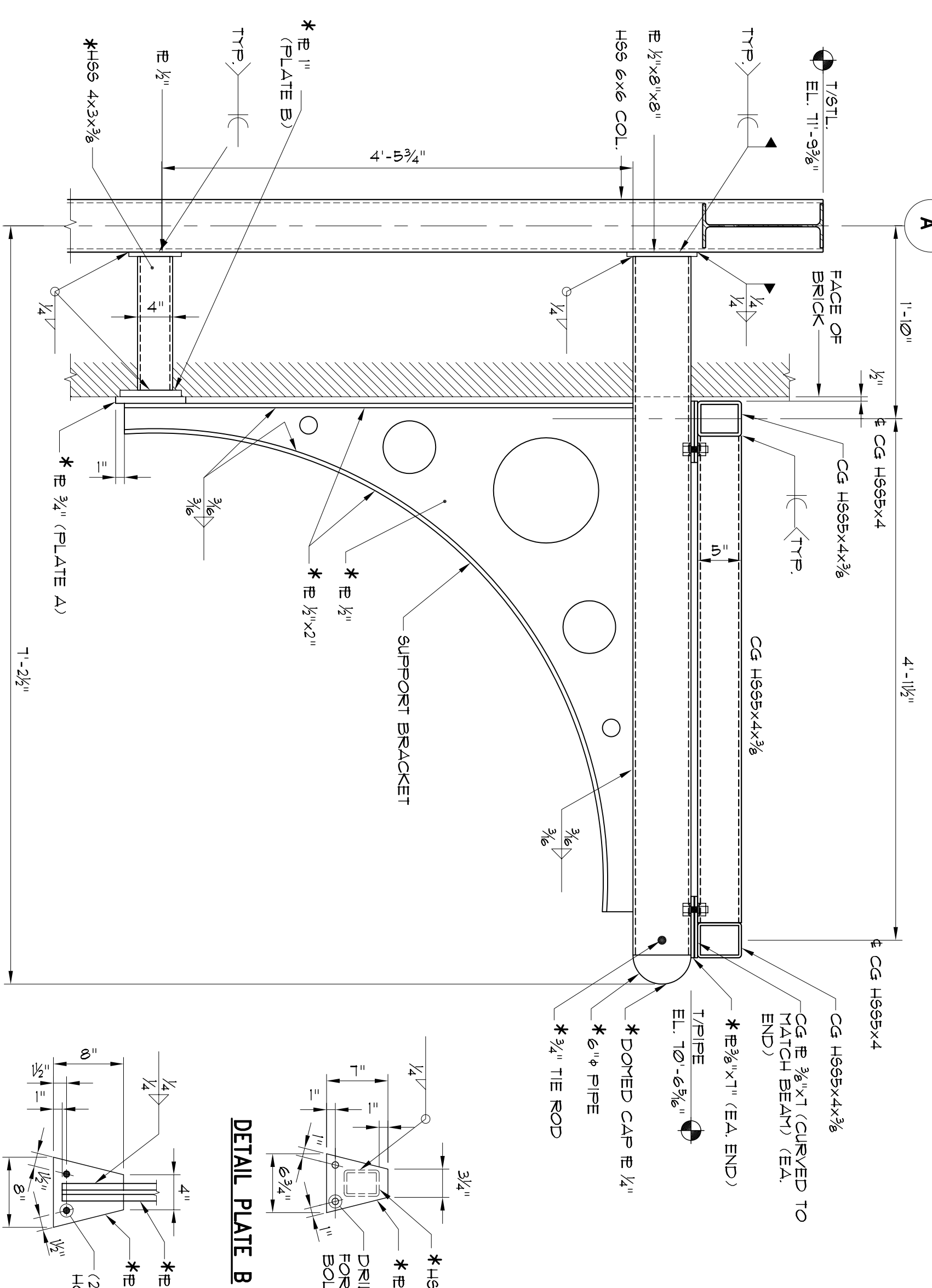
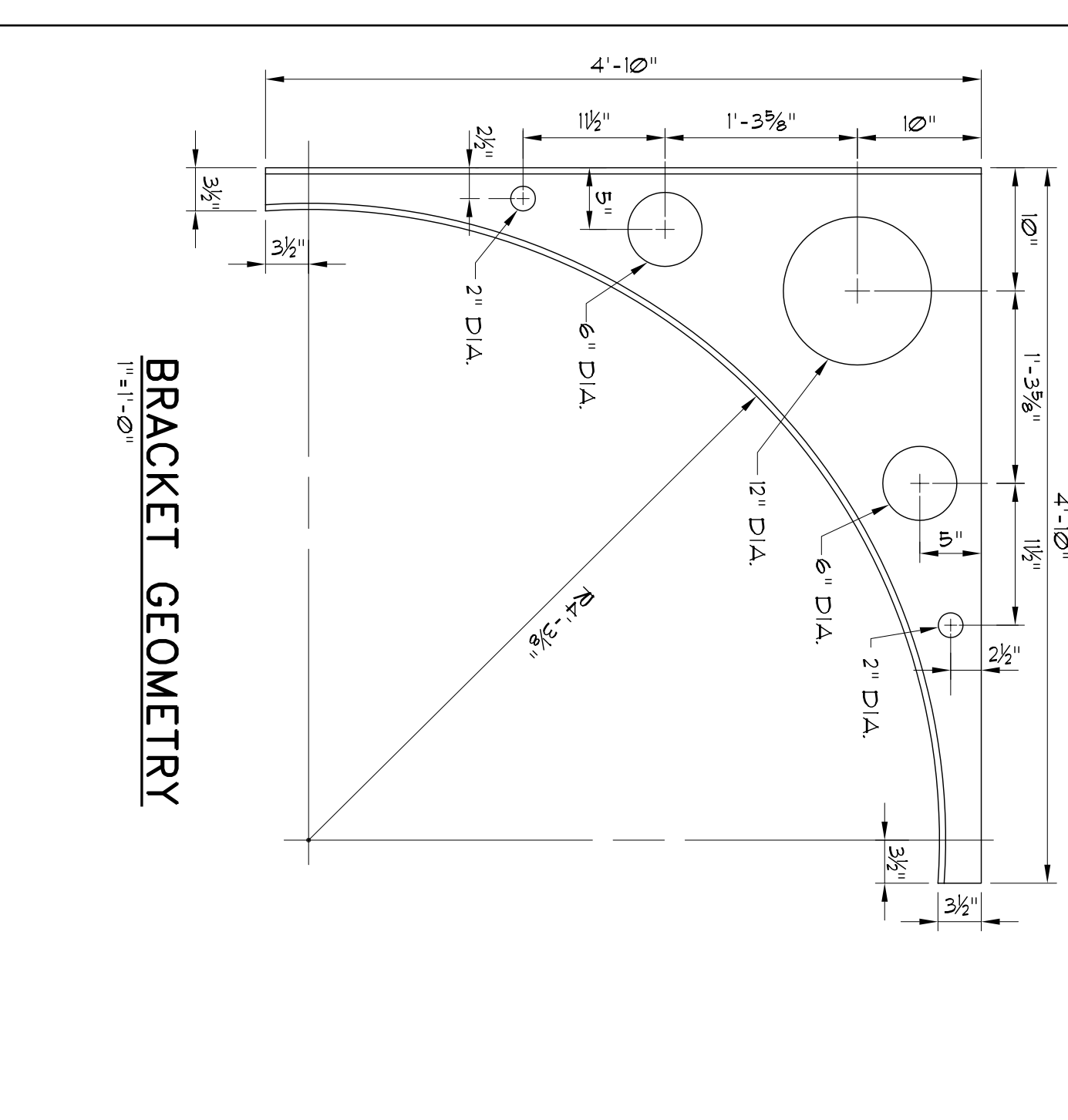
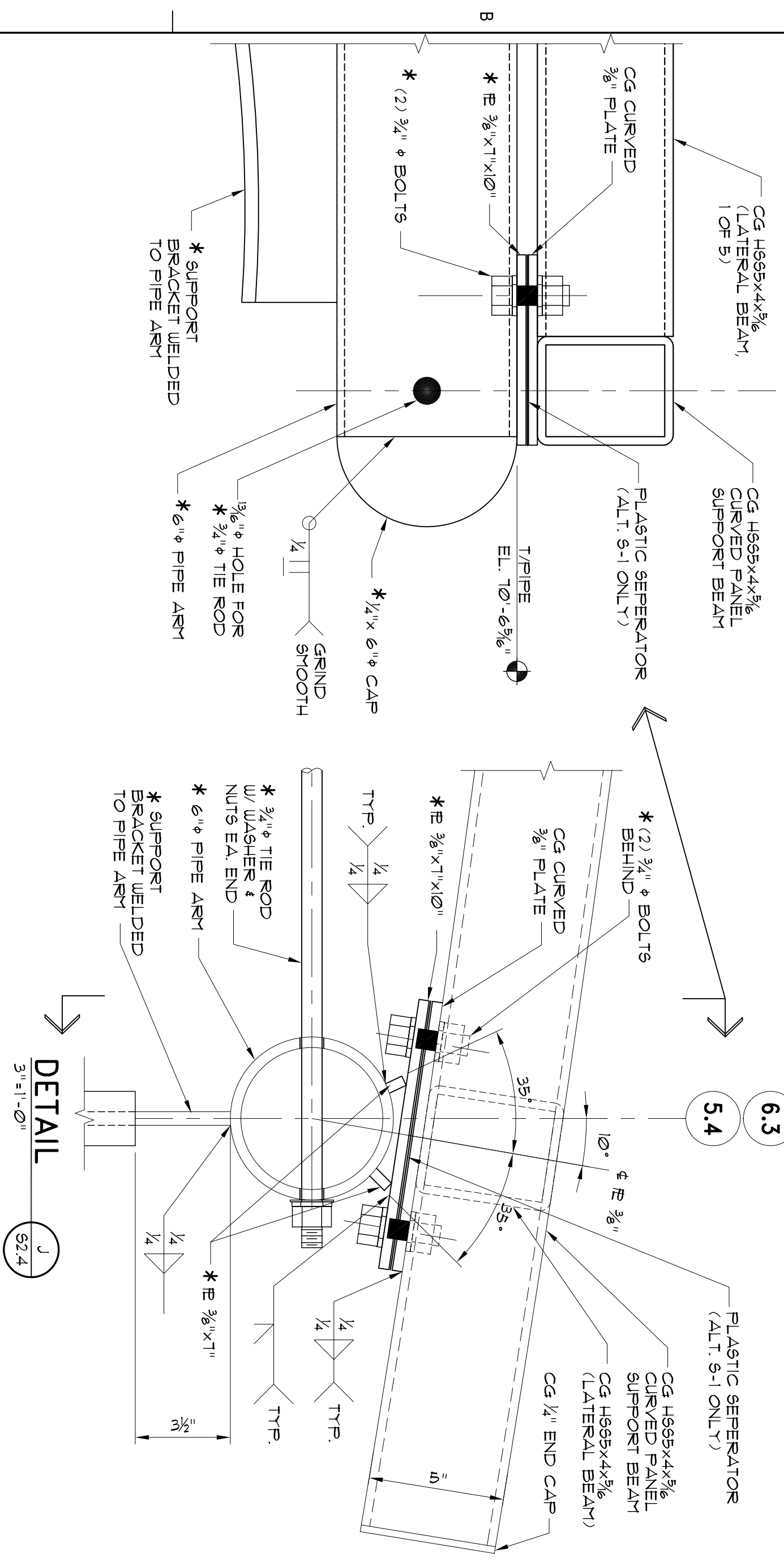
CANOPY SUPPORT FRAMING ELEVATION

- NOTES:**
1. ALL EXPOSED STEEL IS ARCHITECTURAL EXPOSED STRUCTURAL STEEL (A563)
 2. CG = COLOR GALV. IN BASE BID & ALT. 5-1
 3. * = COLOR GALV. IN BASE BID & ALT. 5-1
* = STAINLESS STEEL IN ALT. 5-1.



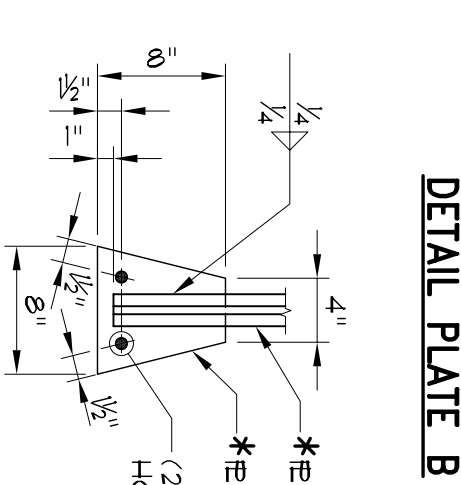
RADIUS CONNECTION PLATE DETAIL

- NOTES:**
1. ALL EXPOSED STEEL IS ARCHITECTURAL EXPOSED STRUCTURAL STEEL (A563)
 2. CG = COLOR GALV. IN BASE BID & ALT. 5-1
 3. * = COLOR GALV. IN BASE BID & ALT. 5-1
* = STAINLESS STEEL IN ALT. 5-1.



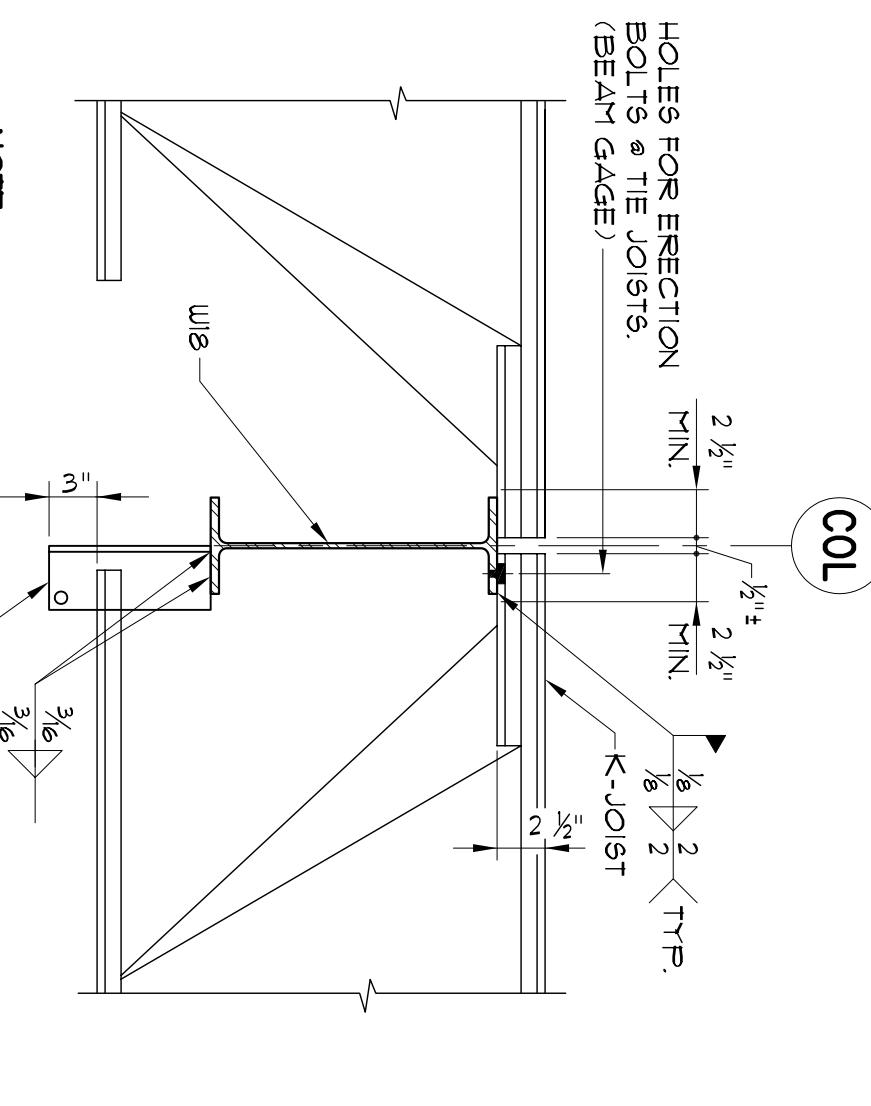
SECTION 1

- NOTES:**
1. ALL EXPOSED STEEL IS ARCHITECTURAL EXPOSED STRUCTURAL STEEL (A563)
 2. CG = COLOR GALV. IN BASE BID & ALT. 5-1
 3. * = COLOR GALV. IN BASE BID & ALT. 5-1
* = STAINLESS STEEL IN ALT. 5-1.



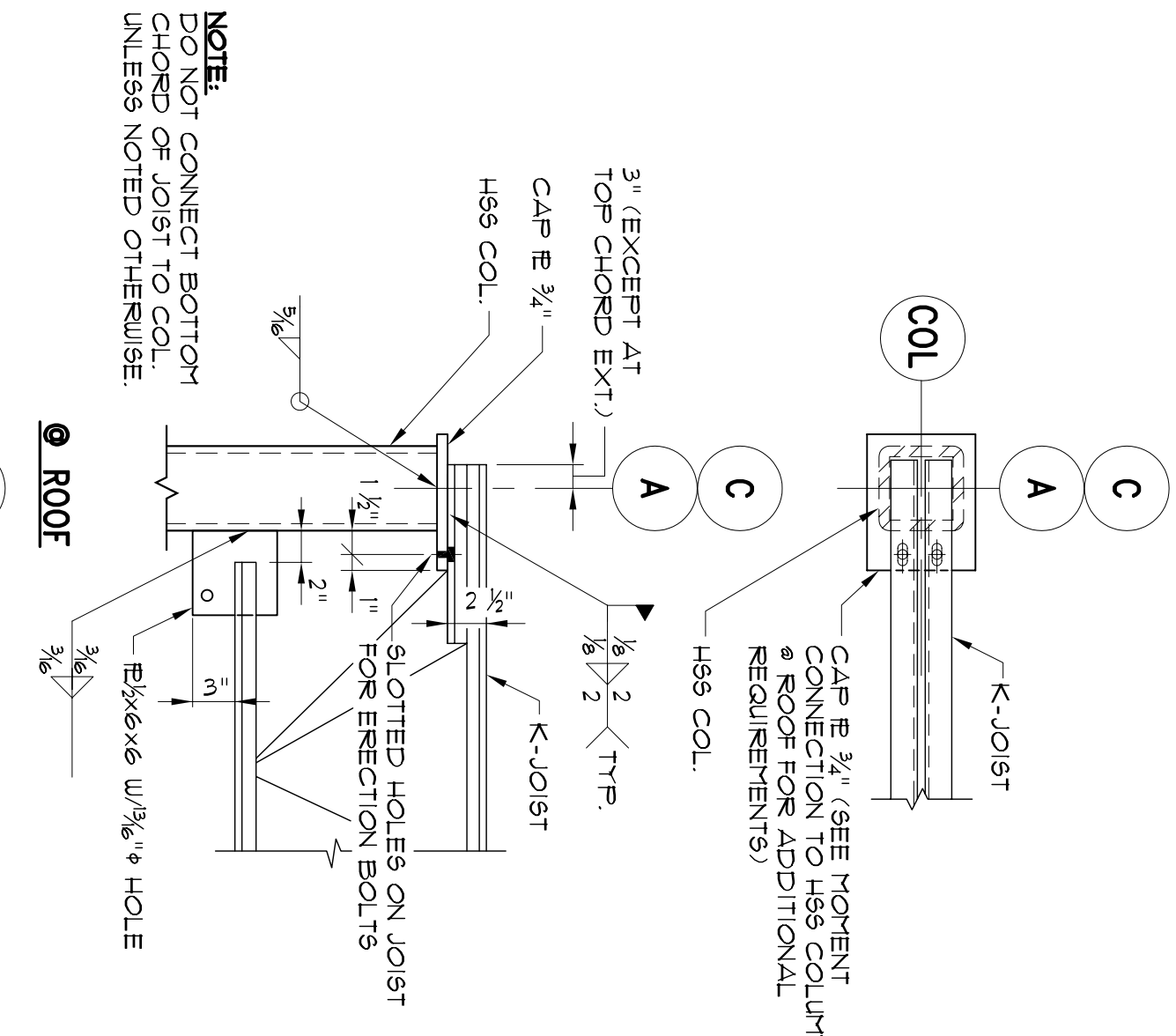
DETAIL PLATE A

DETAIL PLATE B



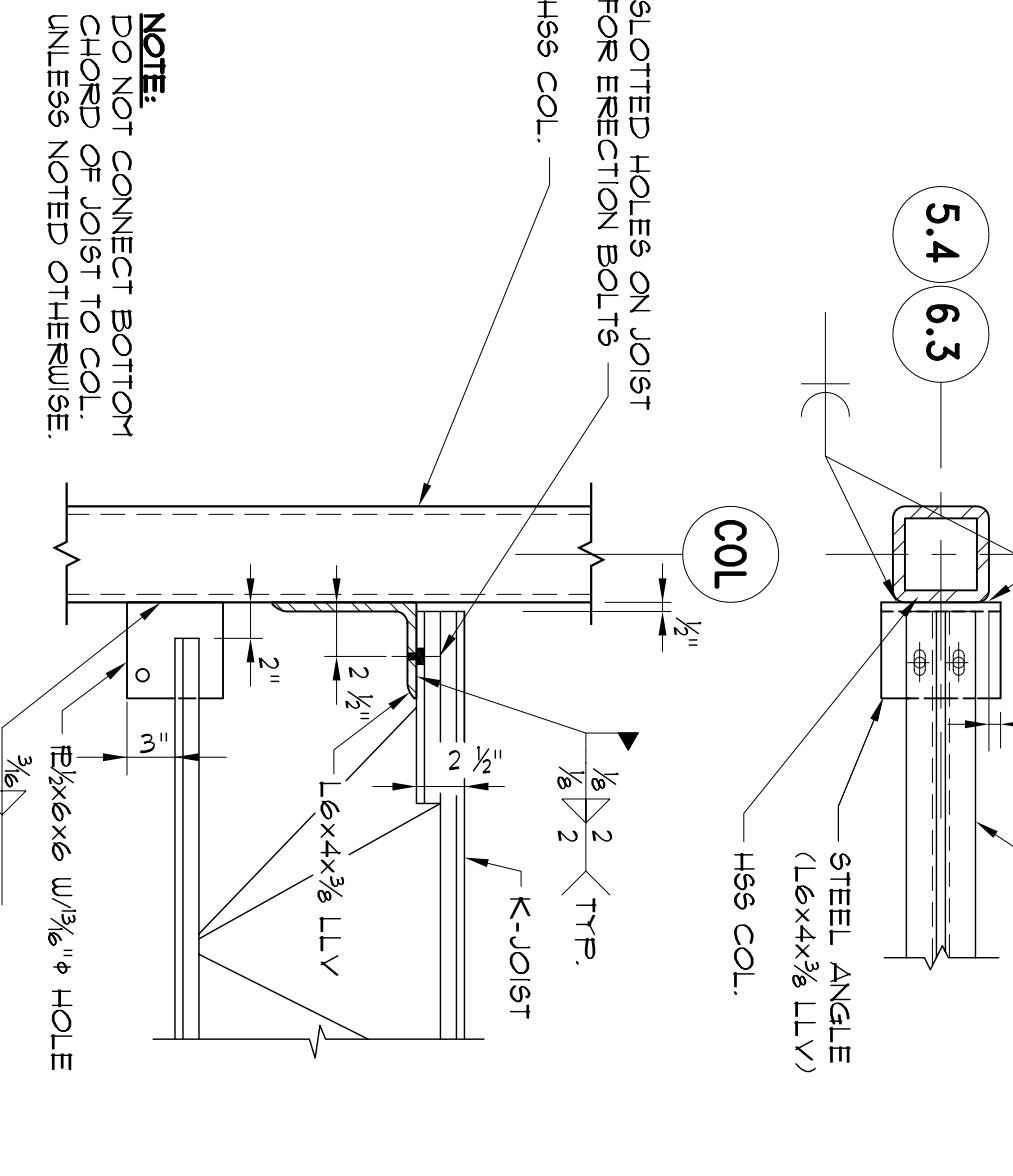
TYP. K-JOIST @ INTERIOR STEEL BEAM

- NOTE:**
1. DO NOT CONNECT JOIST BOTTOM CHORD TO PLATE
 2. JOIST DEEPER THAN BEAM



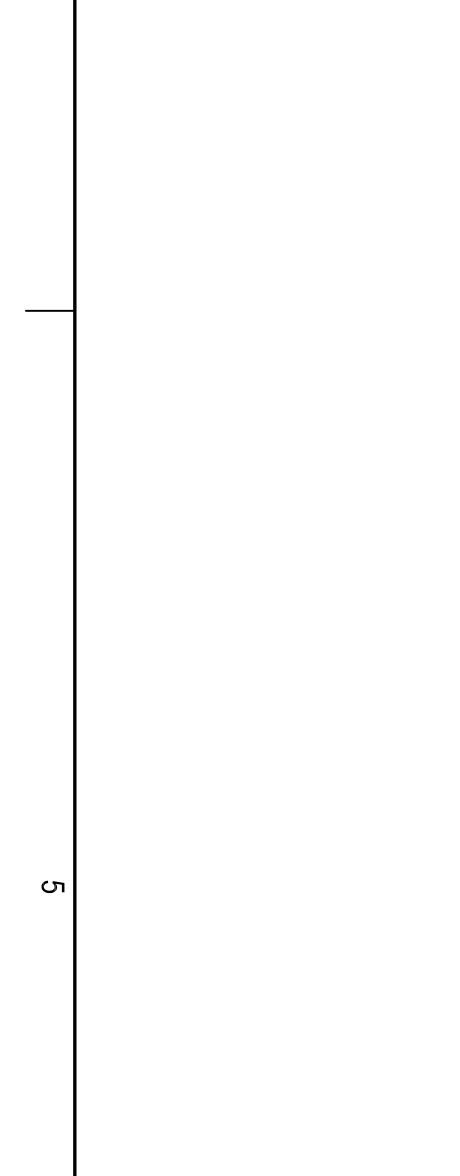
ROOF

- NOTE:**
1. DO NOT CONNECT BOTTOM CHORD OF JOIST TO COL. UNLESS NOTED OTHERWISE.



K-JOIST TO HSS COLUMN - PERIMETER

- NOTE:**
1. DO NOT CONNECT BOTTOM CHORD OF JOIST TO COLUMN UNLESS NOTED OTHERWISE.



ROOF @ COLS. 5.4-A & 6.3-A

- NOTE:**
1. DO NOT CONNECT BOTTOM CHORD OF JOIST TO COLUMN UNLESS NOTED OTHERWISE.