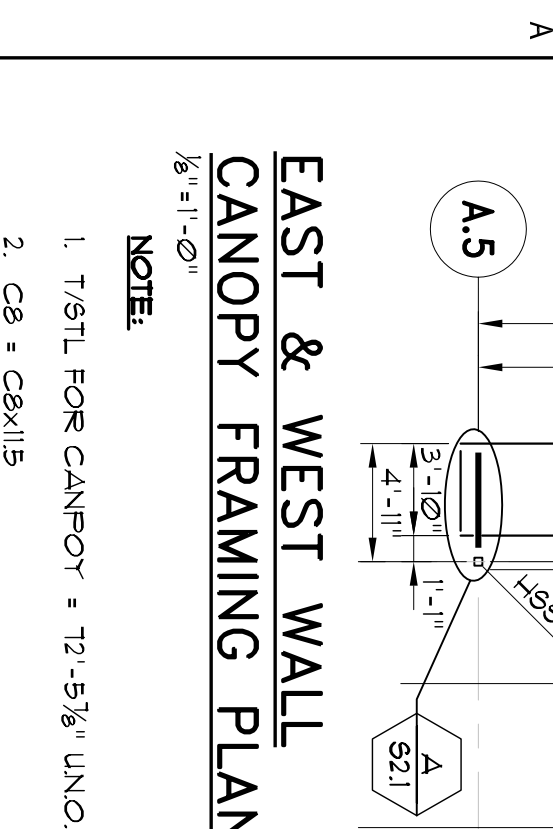
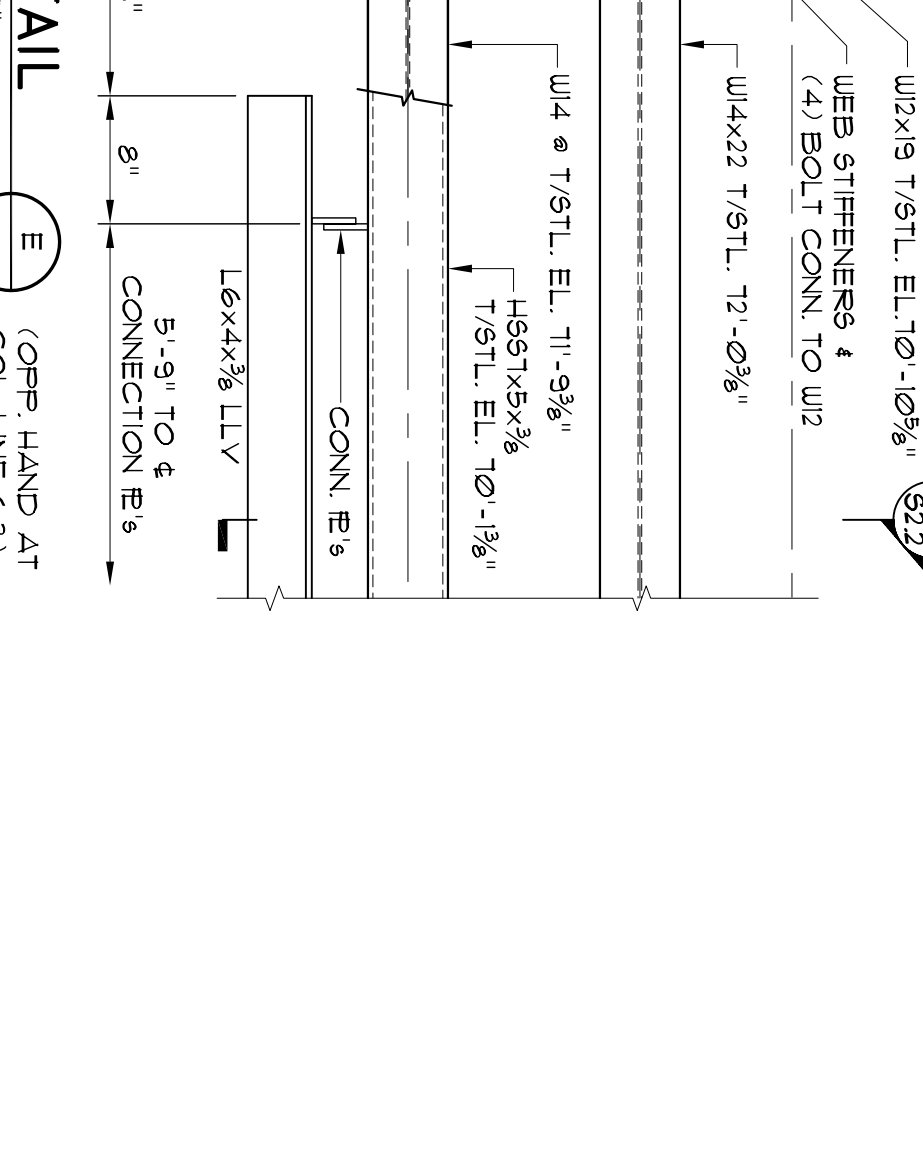
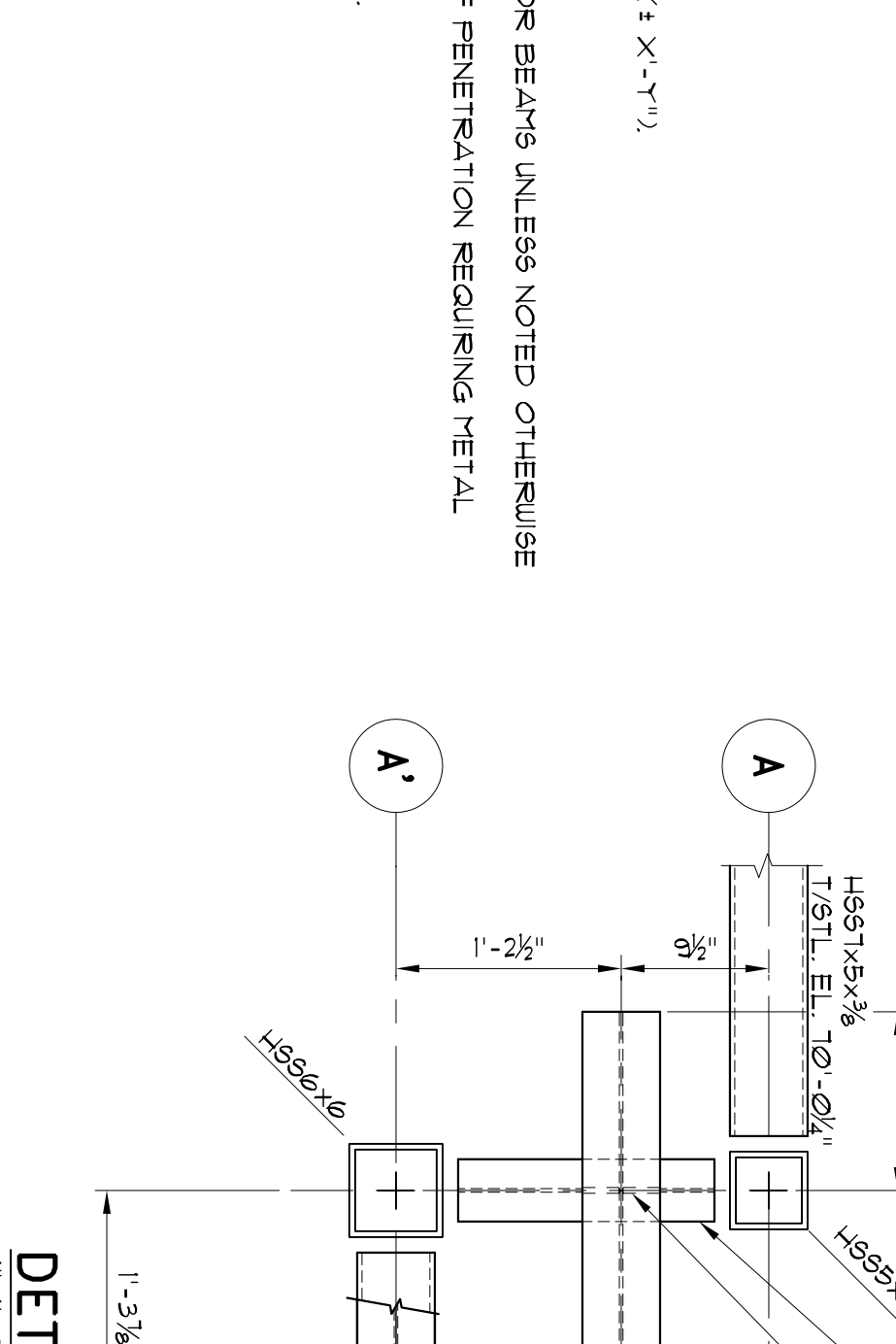
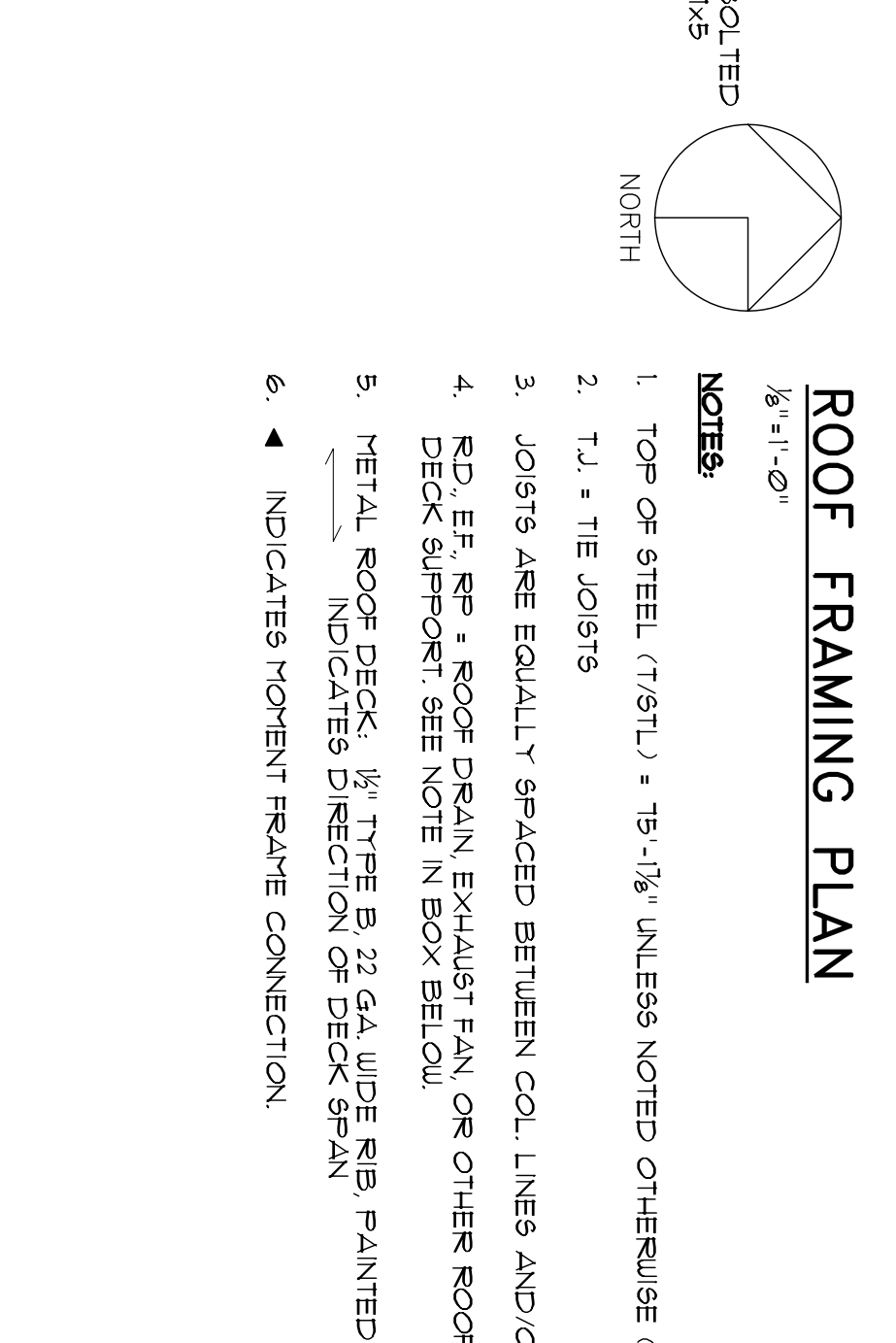
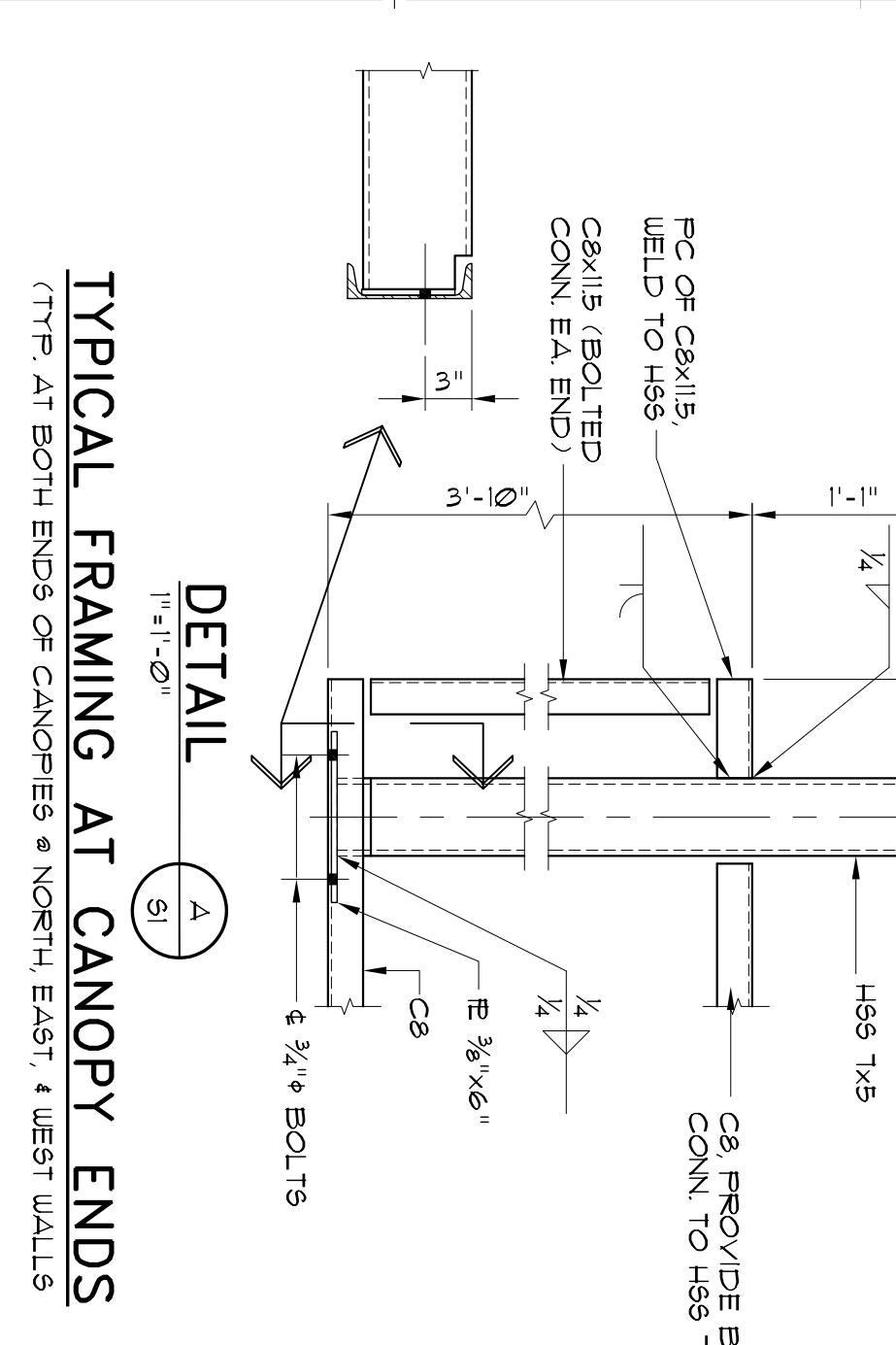
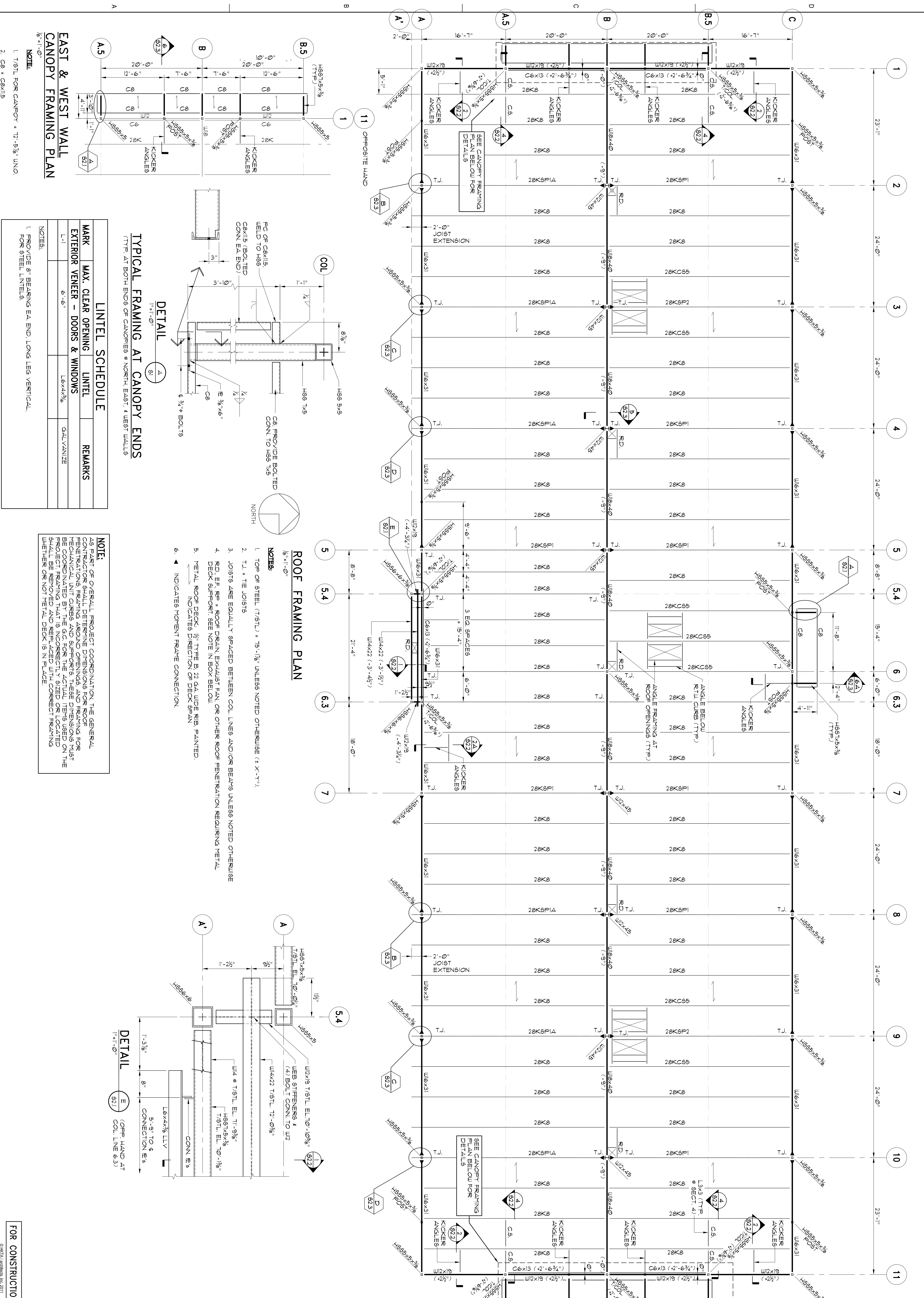


Project Title	05-11-2011
Revision	0
Project ID	11305
Client Name	J.B. BROWN & SONS
Drawn By	MB
Checked By	DGP
Issue Date	MAY 17 2011
Project Code	040
Designed By	DGP
Structural Code	
Sheet Title	ROOF FRAMING PLAN



**EAST & WEST WALL CANOPY FRAMING PLAN**

NOTE:  
 1. TYPICAL FOR CANOPY = 12'-5 3/8" UNO.  
 2. C8 = CHANNELS

**LINEEL SCHEDULE**

MARK	MAX. CLEAR OPENING	LINEEL	REMARKS
L-1	6'-6"	L6x4x3/8	GALVANIZE

NOTES:  
 1. PROVIDE 8" BEARING EA. END LONG LEG VERTICAL.  
 2. FOR STEEL LINEELS.

**ROOF FRAMING PLAN**

NOTE:  
 1. TOP OF STEEL (TYPICAL) = 15'-1 1/8" UNLESS NOTED OTHERWISE (4 X 1'-0").  
 2. T.J. = TIE JOISTS  
 3. JOISTS ARE EQUALLY SPACED BETWEEN COL. LINES AND/OR BEAMS UNLESS NOTED OTHERWISE  
 4. RD, FR, RP = ROOF DRAIN, EXHAUST FAN OR OTHER ROOF PENETRATION REQUIRING METAL DECK SUPPORT. SEE NOTE IN BOX BELOW.  
 5. METAL ROOF DECK: 1/4" TYPE B, 22 GA WIDE RIB PAINTED.  
 6. ◀ INDICATES MOMENT FRAME CONNECTION.

**NOTE:**  
 AS PART OF OVERALL PROJECT COORDINATION, THE GENERAL CONTRACTOR SHALL BE RESPONSIBLE FOR VERIFYING THE PENETRATION FRAMEWORK AND PROVIDING FOR MECHANICAL UNIT CURBS AND SUPPORTS. THESE DIMENSIONS MUST BE COORDINATED BY THE GC FOR THE ACTUAL ITEMS USED ON THE PROJECT. FRAMING THAT IS INCORRECTLY SIZED OR LOCATED SHALL BE REMOVED AND REPLACED WITH CORRECT FRAMING WHETHER OR NOT METAL DECK IS IN PLACE.

**FOR CONSTRUCTION**