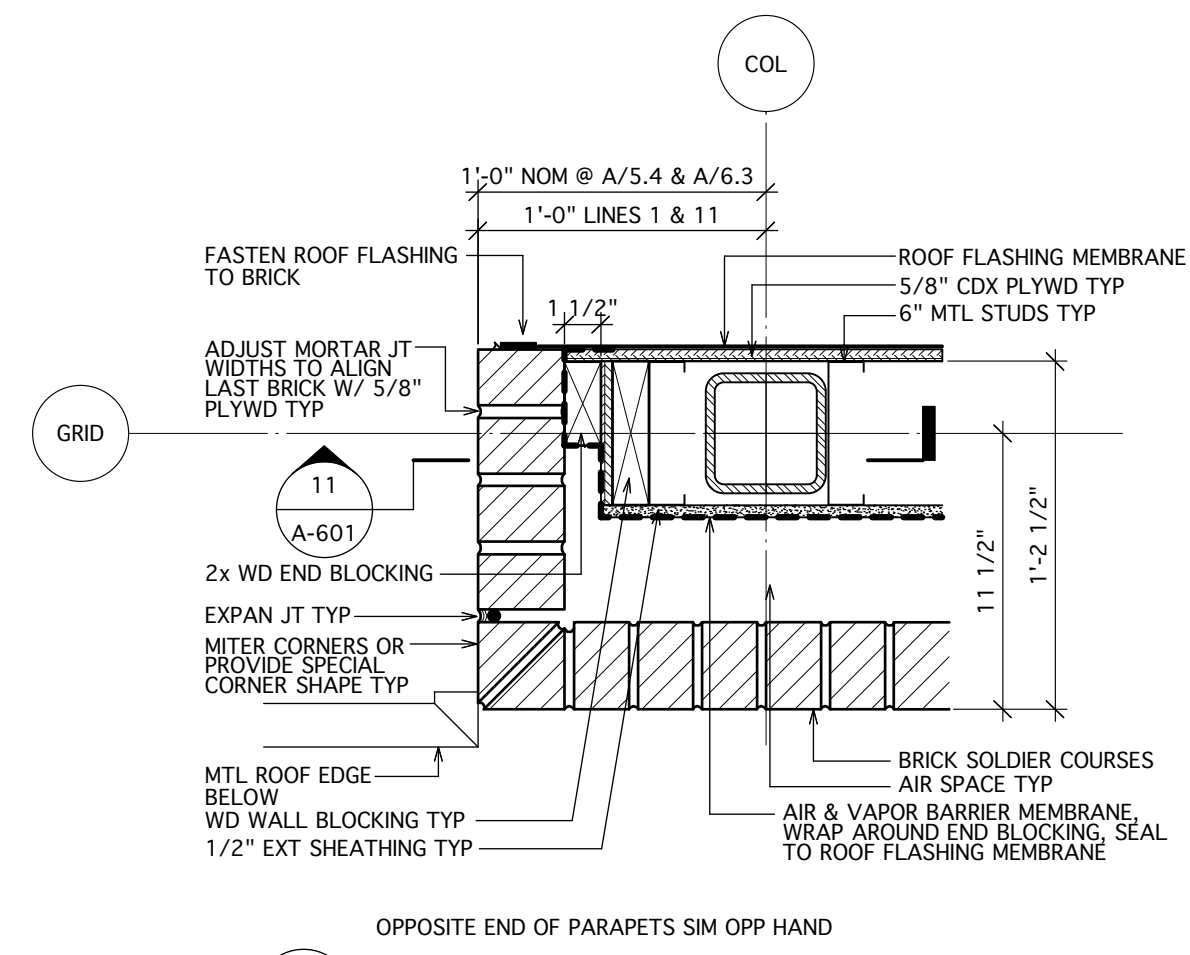
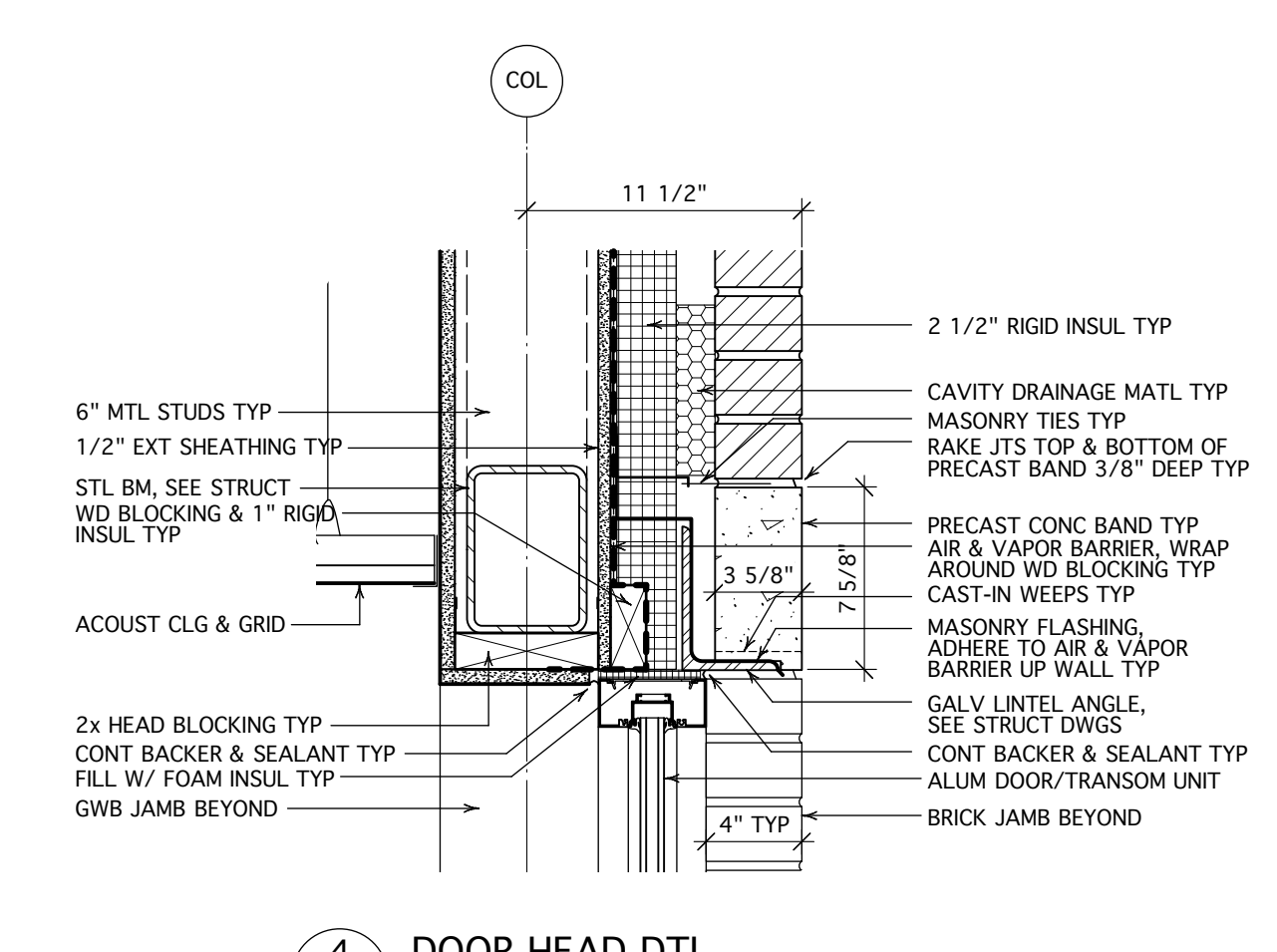


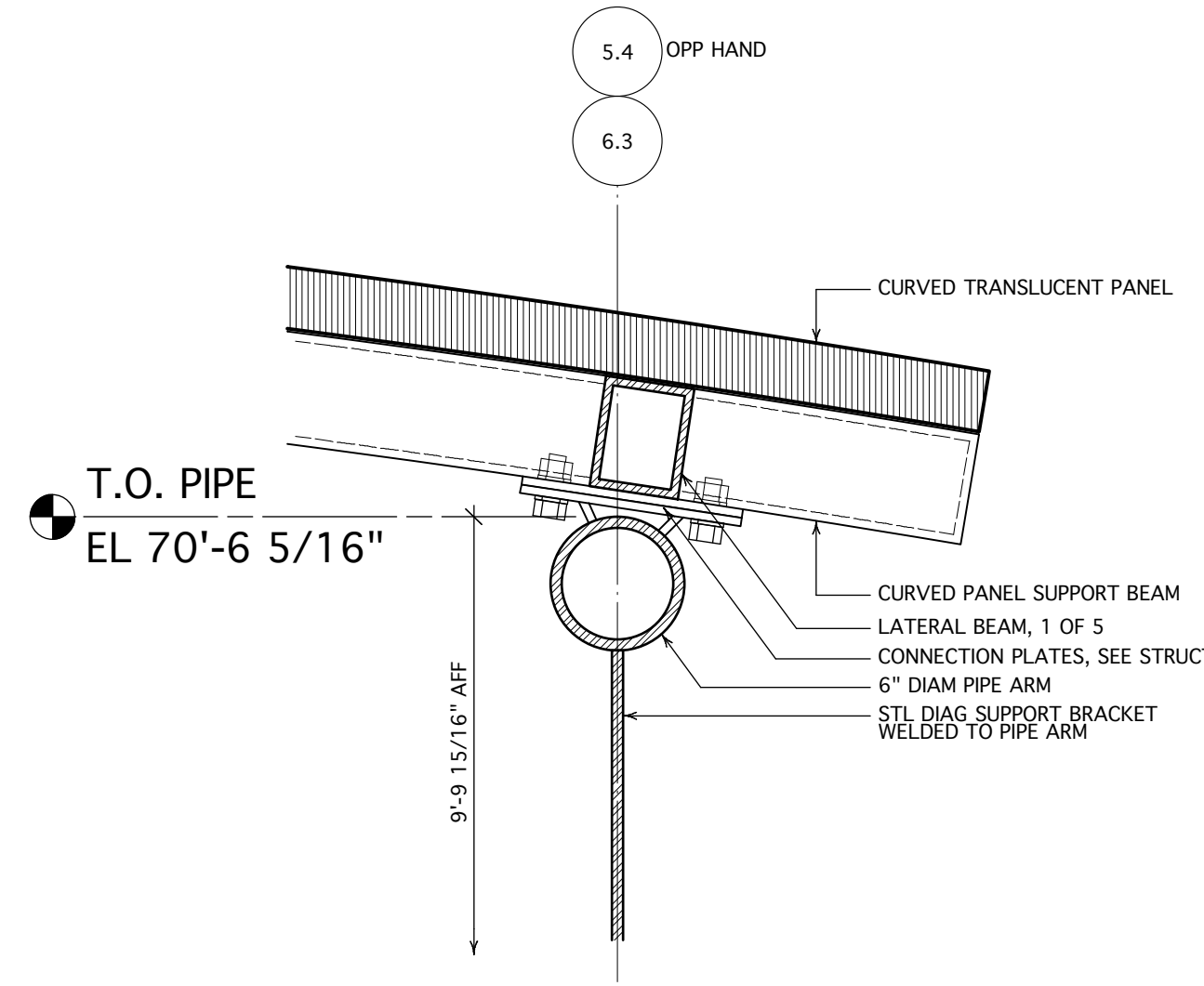
11 SECTION @ BASE OF PARAPET
A-601 Scale: 1 1/2" = 1'-0"



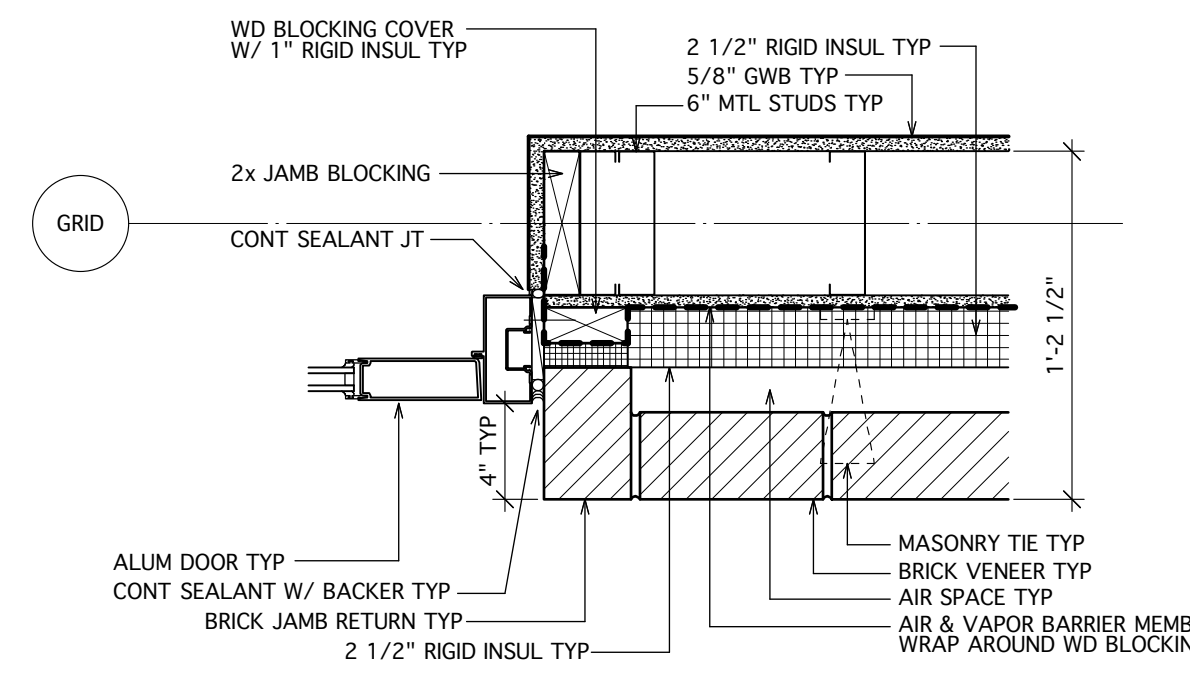
8 PLAN DTL @ PARAPET ENDS TYP
A-601 Scale: 1 1/2" = 1'-0"



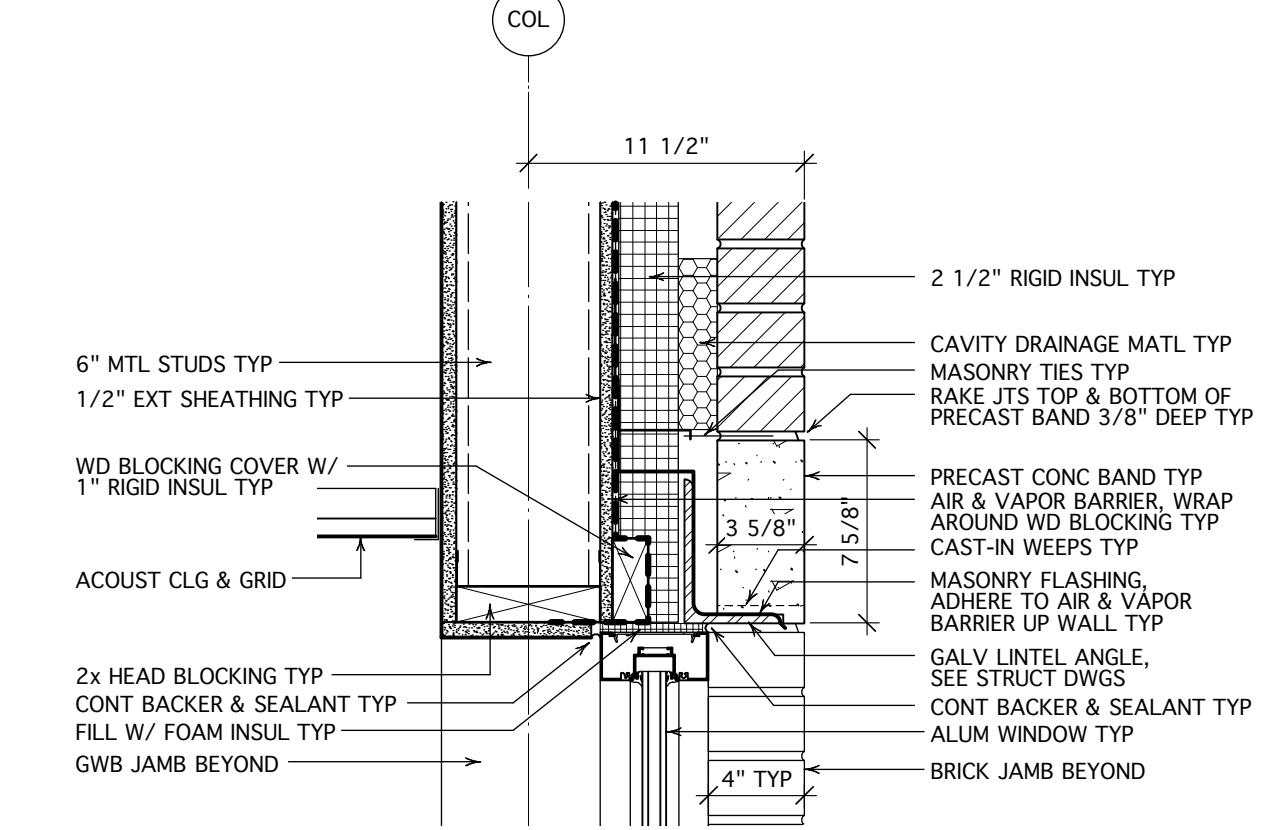
4 DOOR HEAD DTL
A-601 Scale: 1 1/2" = 1'-0"



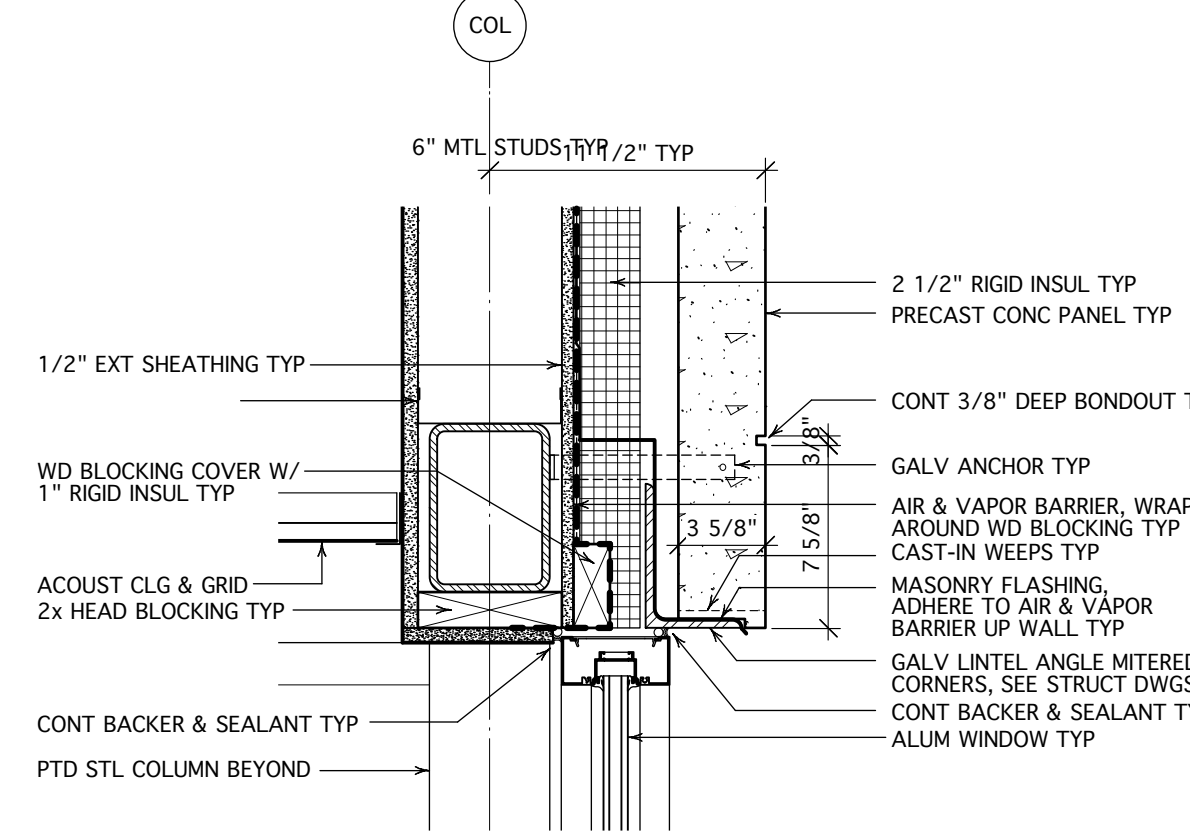
10 SECTION DTL @ CANOPY BRACKET
A-601 Scale: 1 1/2" = 1'-0"



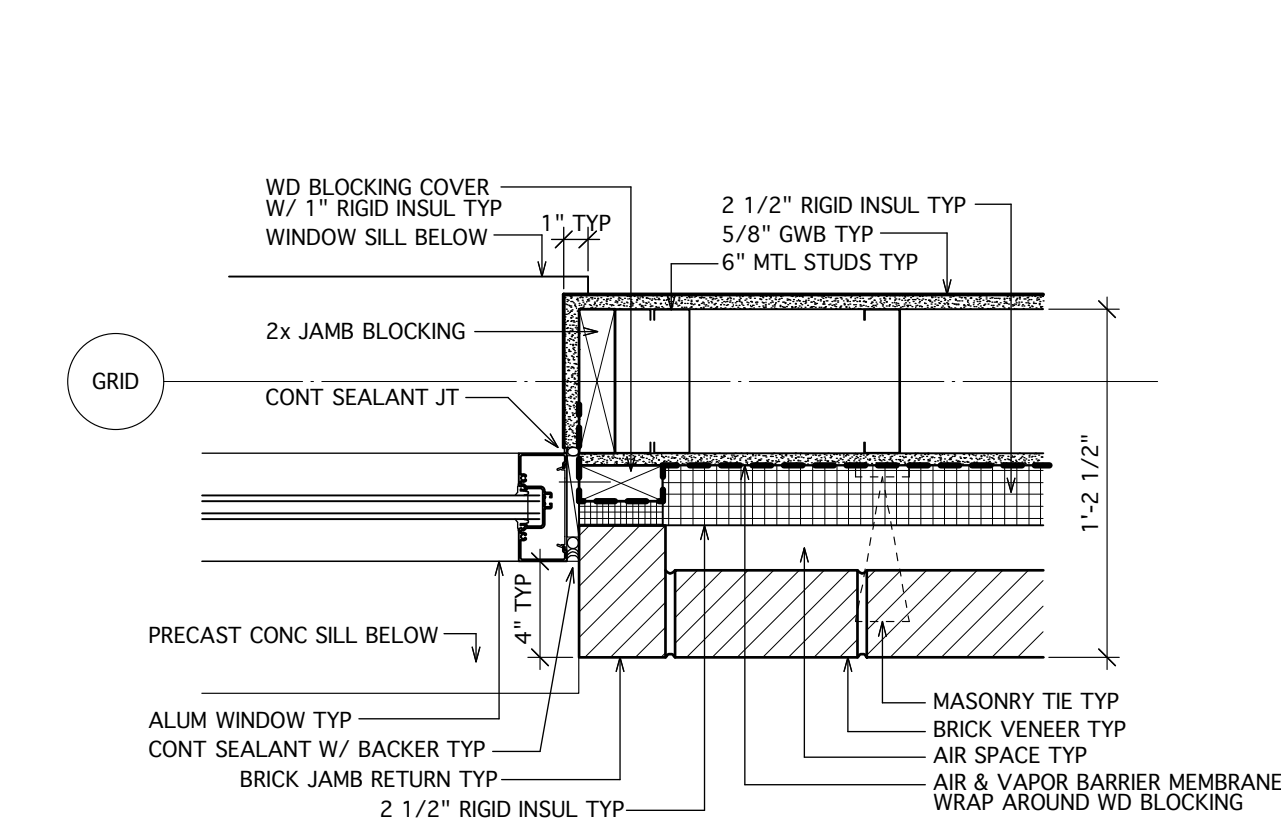
7 DOOR JAMB DTL
A-601 Scale: 1 1/2" = 1'-0"



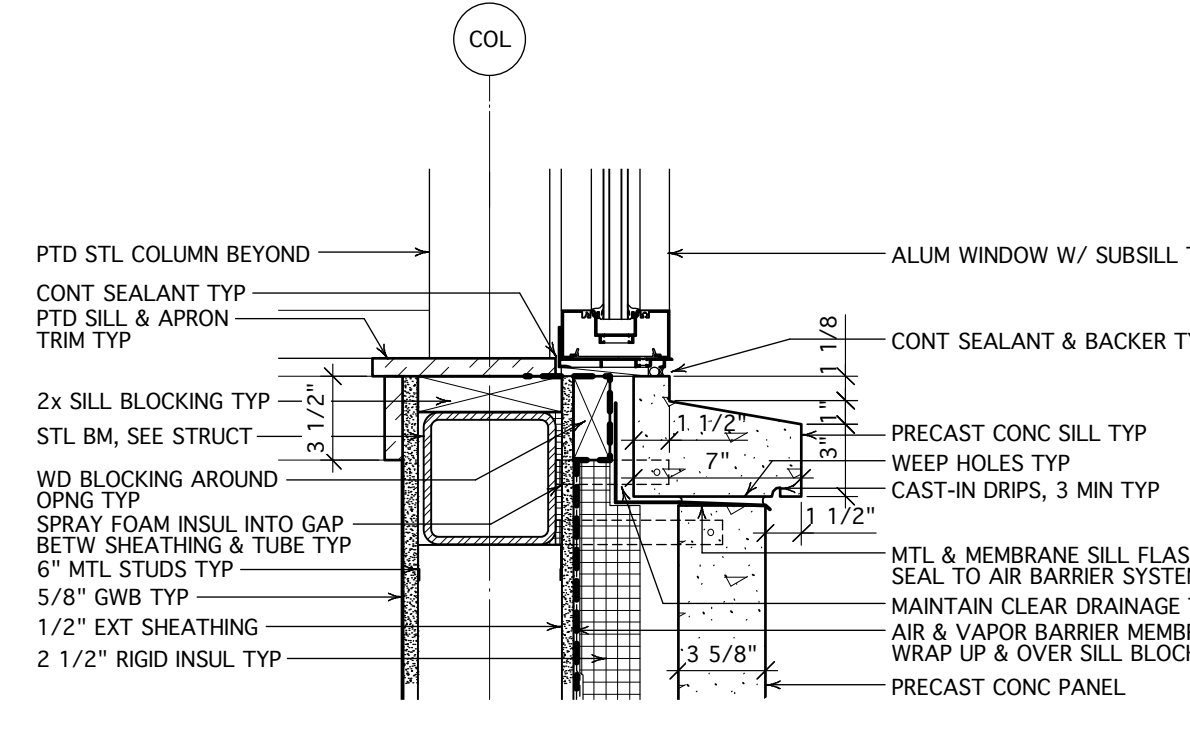
3 WINDOW HEAD DTL
A-601 Scale: 1 1/2" = 1'-0"



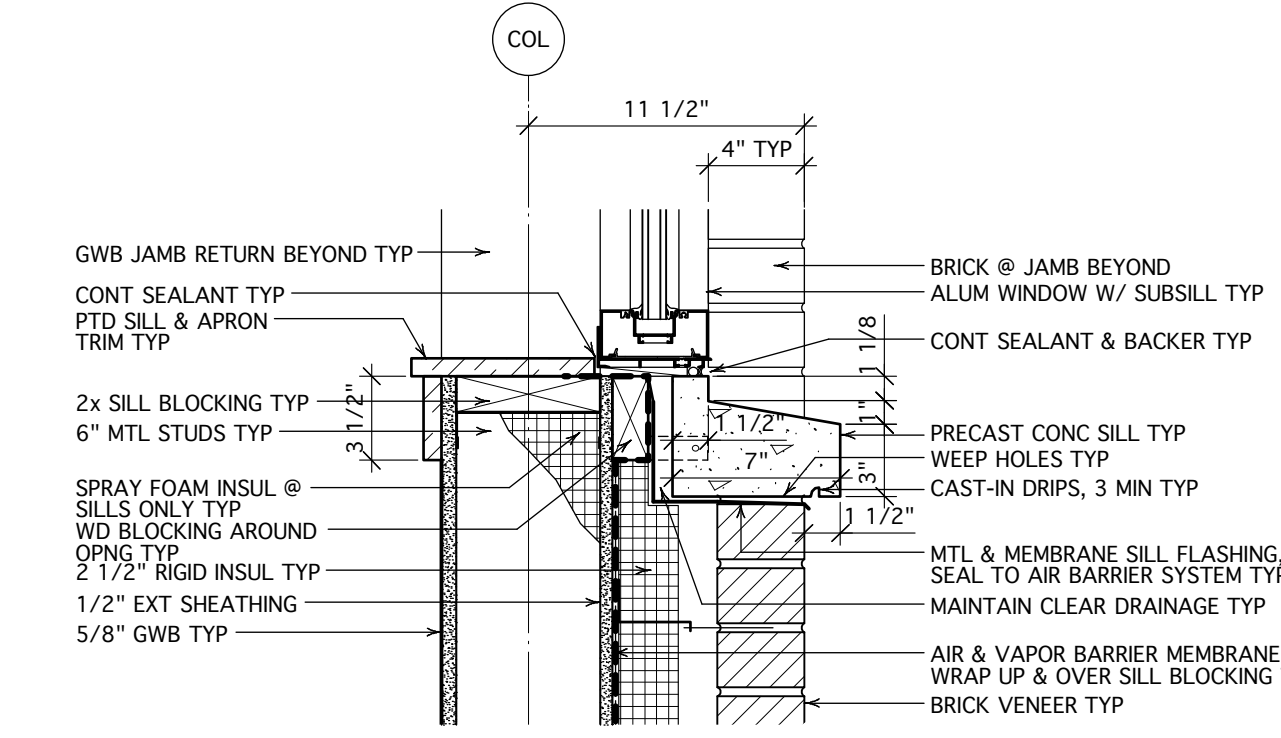
6 WINDOW HEAD DTL @ PRECAST PANELS
A-601 Scale: 1 1/2" = 1'-0"



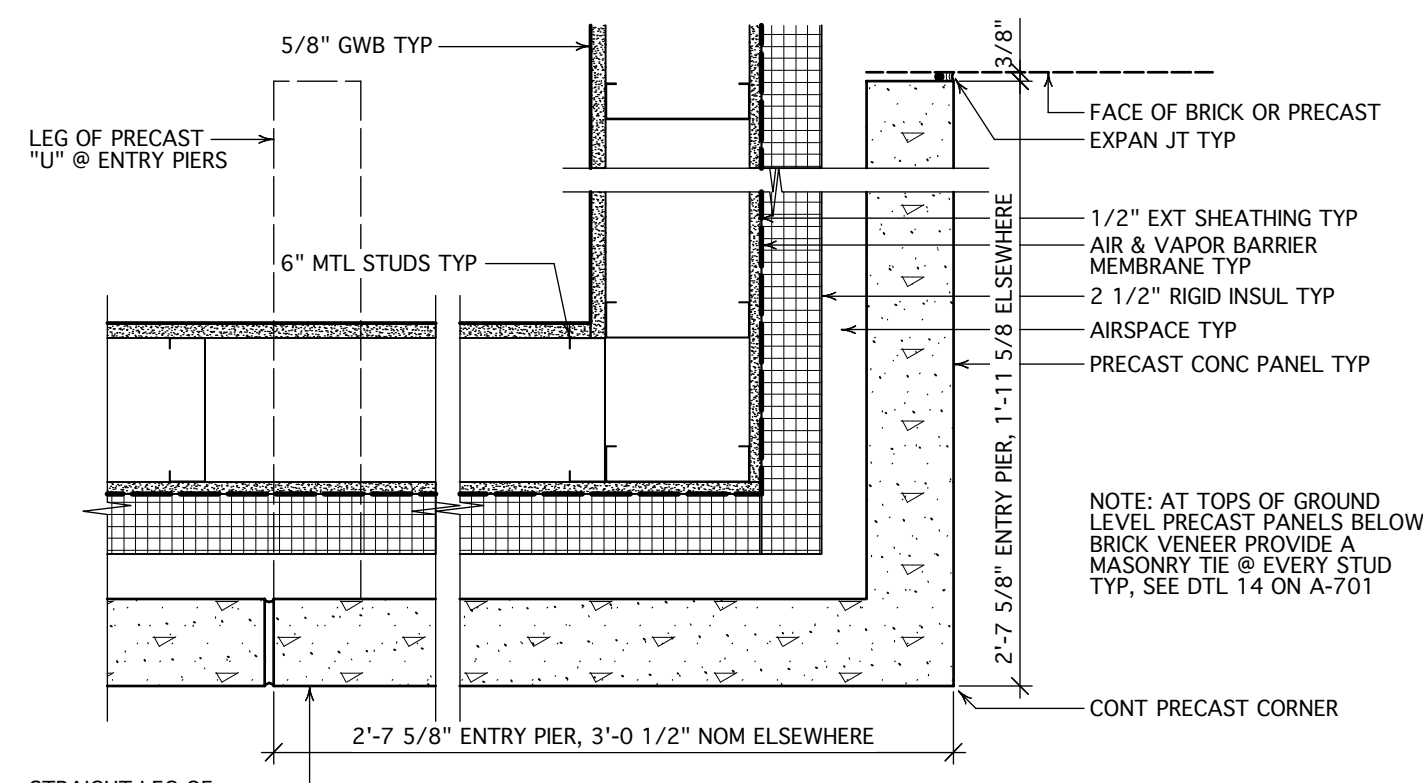
2 WINDOW JAMB DTL
A-601 Scale: 1 1/2" = 1'-0"



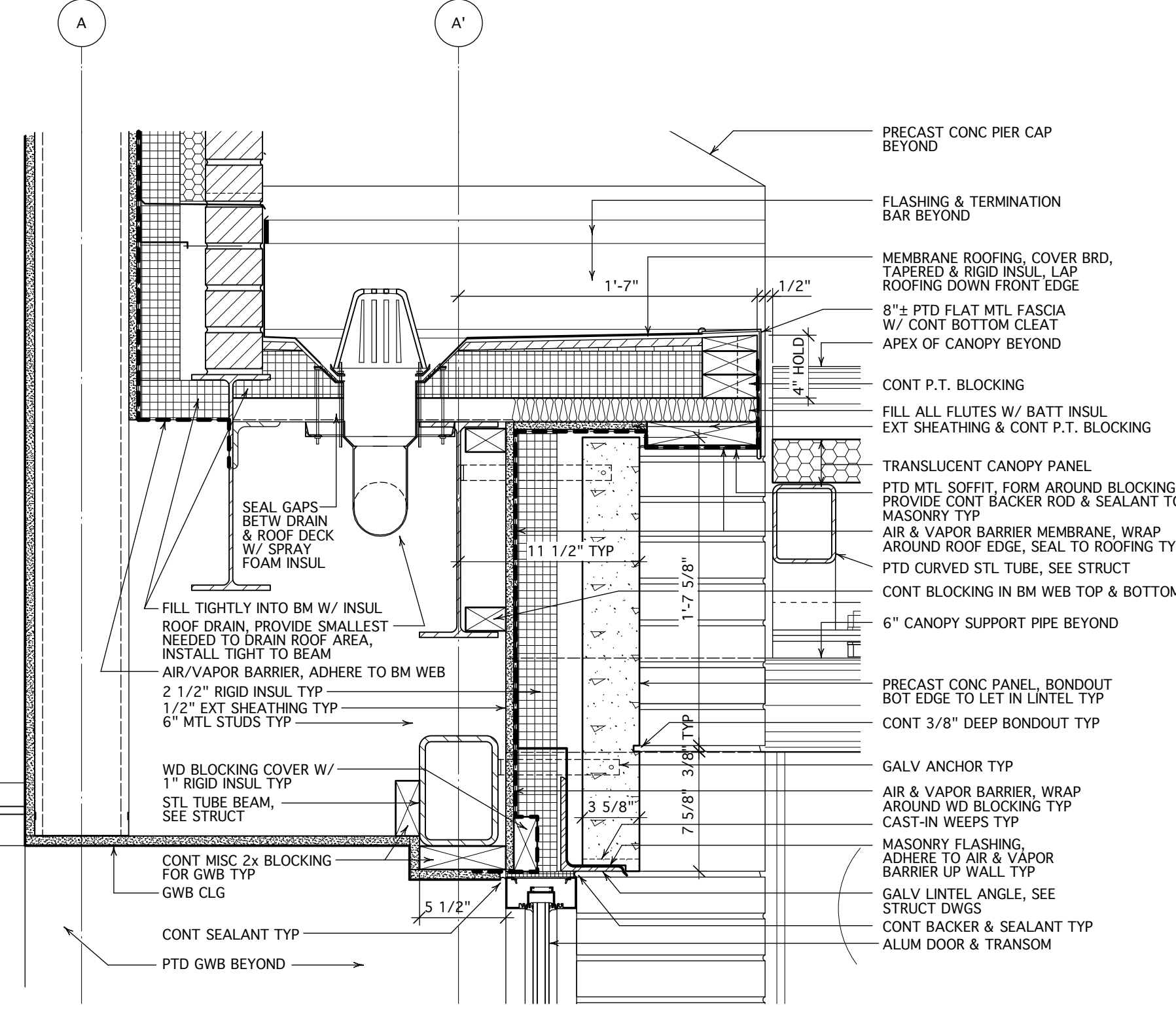
5 WINDOW SILL DTL @ PRECAST PANELS
A-601 Scale: 1 1/2" = 1'-0"



1 TYP WINDOW SILL DTL
A-601 Scale: 1 1/2" = 1'-0"



12 PLAN DTL @ CONT PRECAST CORNERS
A-601 Scale: 1 1/2" = 1'-0"



9 WINDOW HEAD DTL @ PRECAST PANELS
A-601 Scale: 1 1/2" = 1'-0"