

| Mark | Date | Description |
|------|------|-------------|
| | | |

| Issue/Revision | Project ID | 2010020 |
|----------------|---------------|---------|
| | CAD File Name | |
| | Drawn By | |
| | Checked By | |
| | Issue Date: | 5-17-11 |
| | Plot Date: | |
| | Reviewed by | |
| | Designed by | reh |
| | Submitted By | |
| | Drawing Code | |

Sheet Title
 Enlarged Plans
 Interior Elevations

Drawing No.
A-501
 9 of 21

D
C
B
A

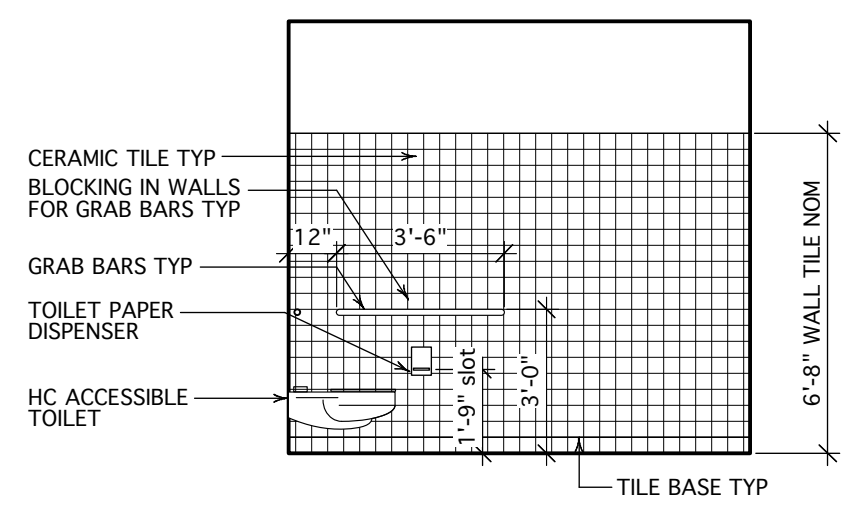
1

2

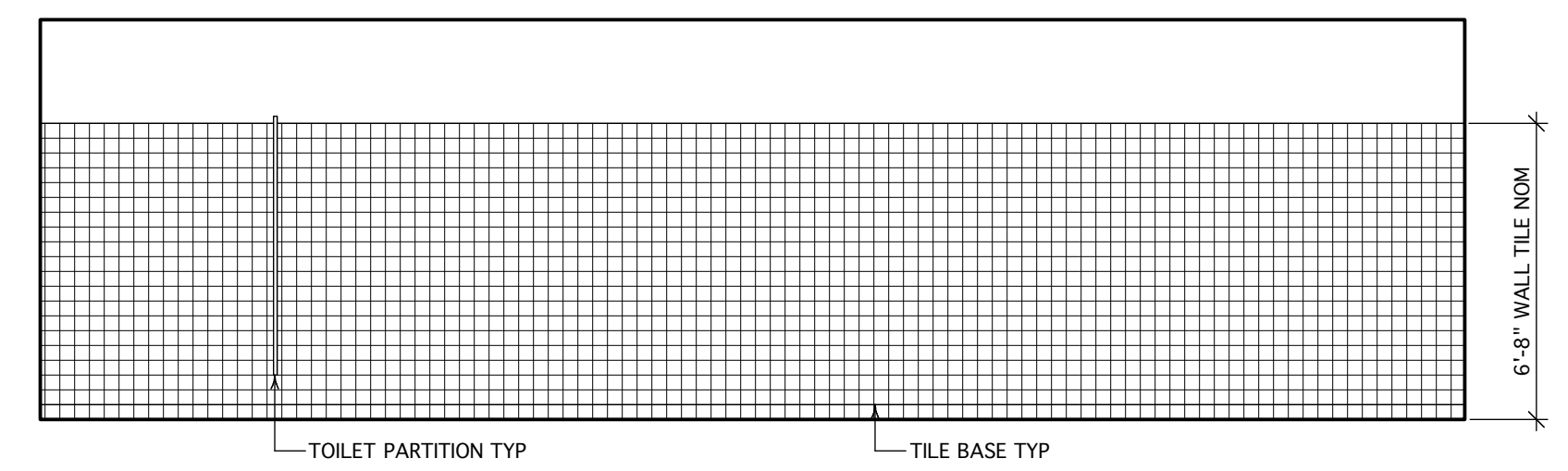
3

4

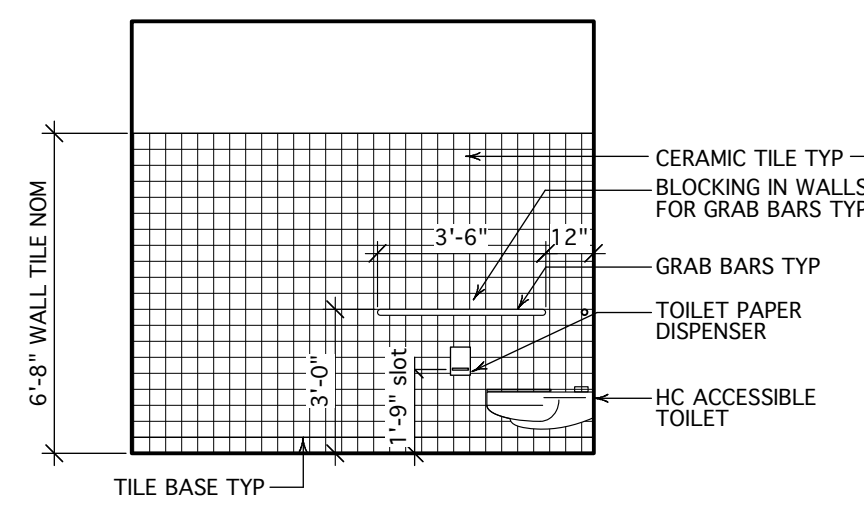
5



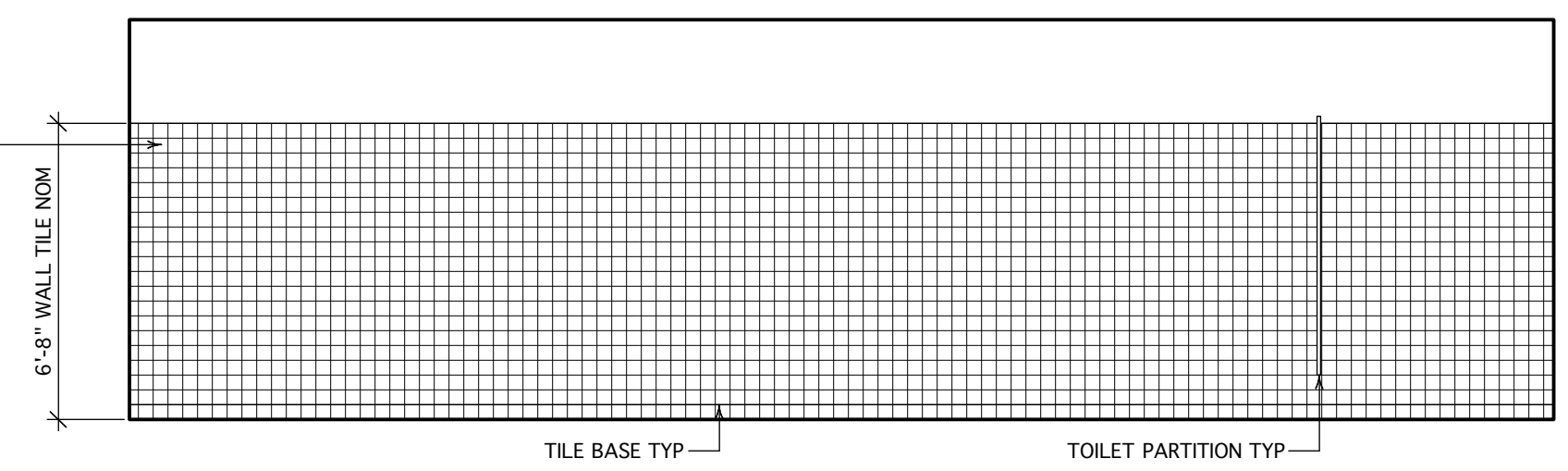
9 WOMENS' TOILET
 A-501 Scale: 1/4" = 1'-0"



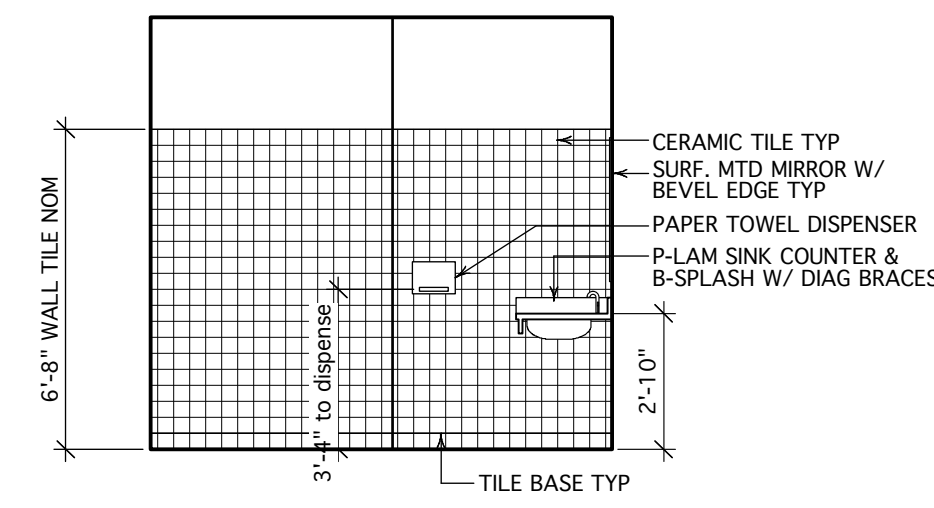
7 WOMENS' TOILET
 A-501 Scale: 1/4" = 1'-0"



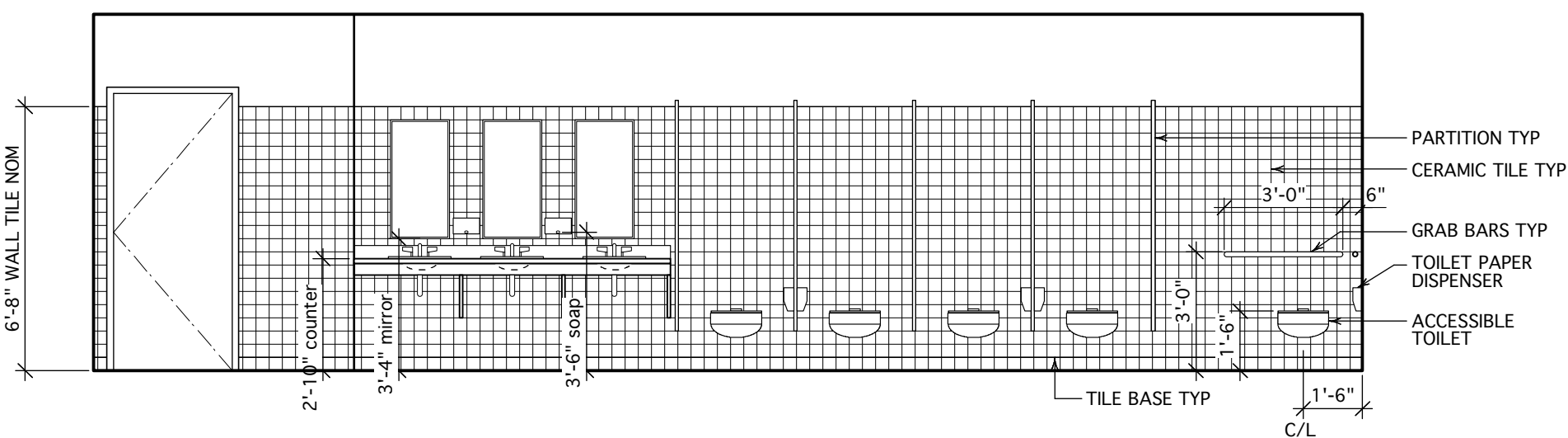
5 MENS' TOILET
 A-501 Scale: 1/4" = 1'-0"



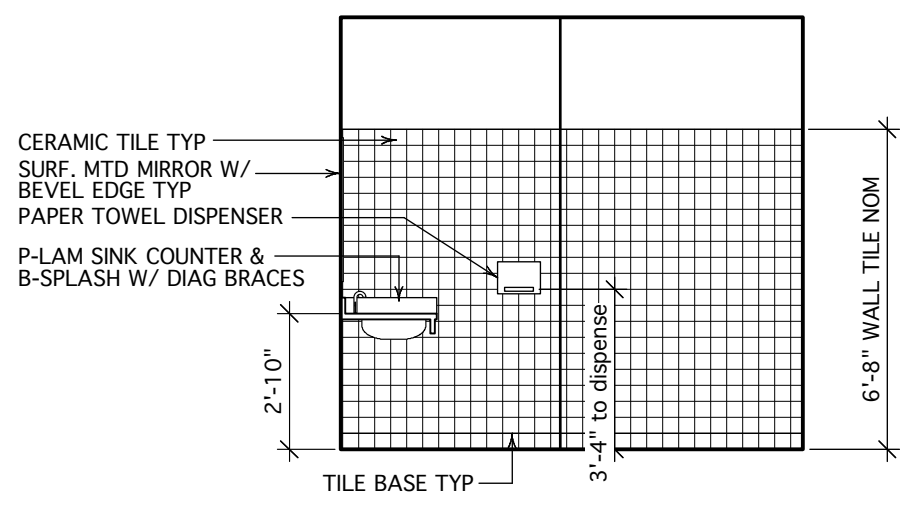
3 MENS' TOILET
 A-501 Scale: 1/4" = 1'-0"



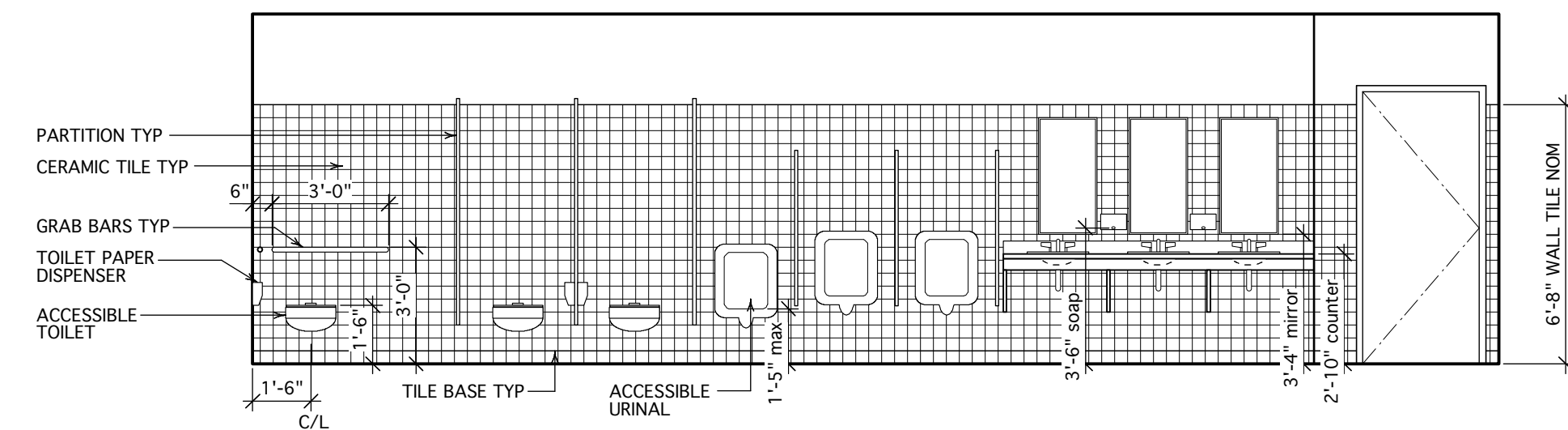
8 WOMENS' TOILET
 A-501 Scale: 1/4" = 1'-0"



6 WOMENS' TOILET
 A-501 Scale: 1/4" = 1'-0"



4 MENS' TOILET
 A-501 Scale: 1/4" = 1'-0"



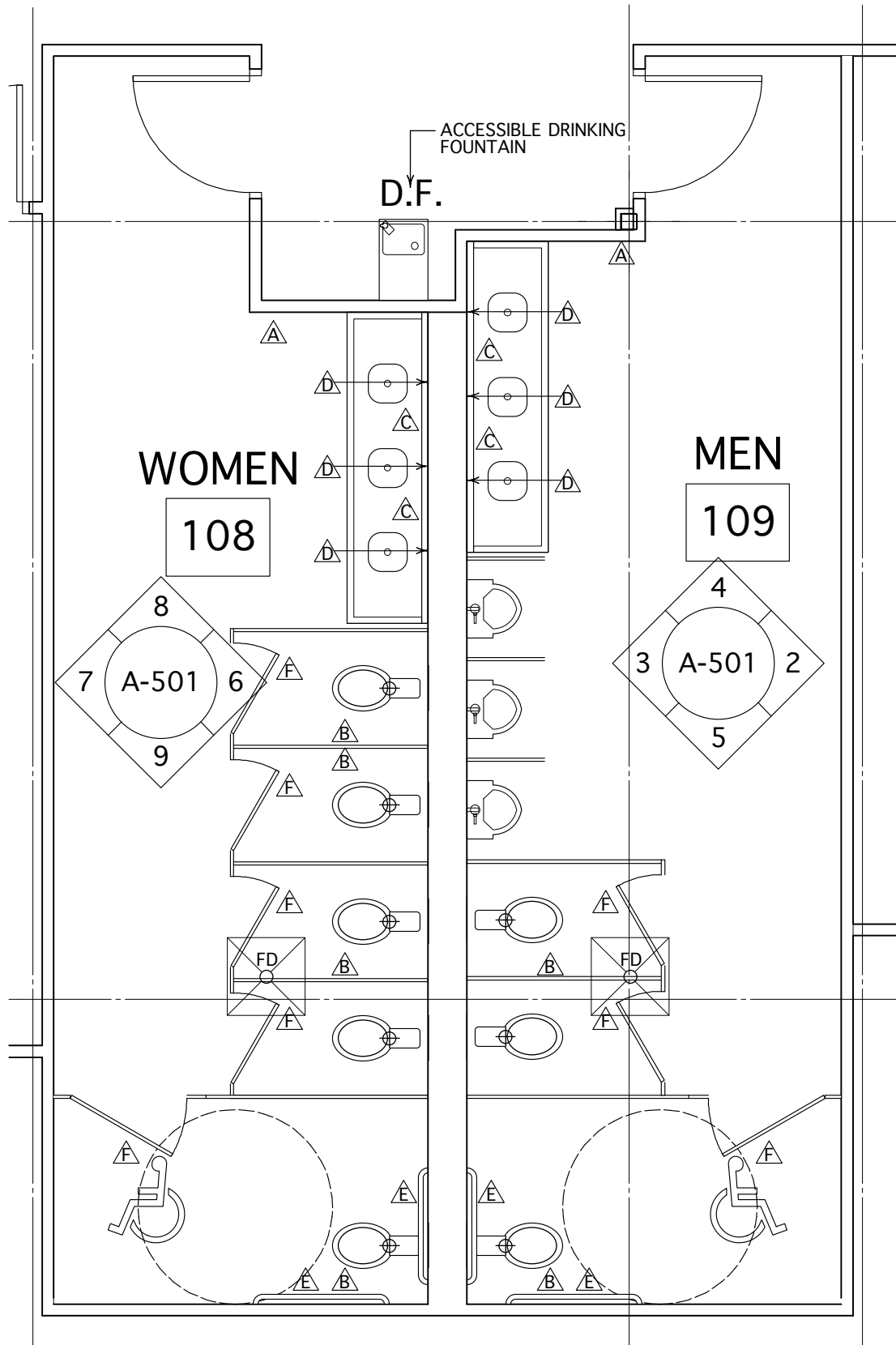
2 MENS' TOILET
 A-501 Scale: 1/4" = 1'-0"

TOILET ROOM NOTES

- LOCATE ALL WALL MOUNTED ROOM ACCESSORIES AT 4'-0" AFF MAX. TO HIGHEST DISPENSER MECHANISM OR CONTROL UNLESS NOTED OTHERWISE.
- ALL TOILET AND URINAL PARTITIONS ARE DIMENSIONED TO THE FACE OF EACH PARTITION BASED UPON A 1" THICK PANEL.
- ALL DIMENSIONS RELATED TO PLUMBING FIXTURES SHALL BE FROM THE CENTERLINE OF FIXTURE TO FACE OF FINISH UNLESS NOTED OTHERWISE.
- AT ALL SINK LOCATIONS, ALL WATER SUPPLY AND DRAIN PIPES SHALL BE THERMALLY INSULATED FOR PROTECTION FROM CONTACT.
- PROVIDE AND INSTALL ADEQUATE WALL BLOCKING IN WALLS FOR MOUNTING OF ALL ACCESSORIES AT REQUIRED HEIGHTS SHOWN.
- FLOOR DRAIN BONDOUTS IN TOILET ROOM FLOORS SHALL BE CONSTRUCTED 2x2, SLOPING DOWN AT EACH SIDE 1/2" TO THE DRAIN COVER. DRAIN LOCATIONS ARE SHOWN ON THIS DRAWING.

TOILET ROOM ACCESSORY KEY

- A PAPER TOWEL DISPENSER, SEE SPEC
- B TOILET TISSUE DISPENSER, SEE SPEC
- C SOAP DISPENSER, SEE SPEC
- D MIRROR, SEE SPEC
- E GRAB BAR, SEE SPEC
- F COAT HOOK ON DOOR, SEE SPEC



1 ENLARGED PLAN - TOILET RMS
 A-501 Scale: 1/4" = 1'-0"