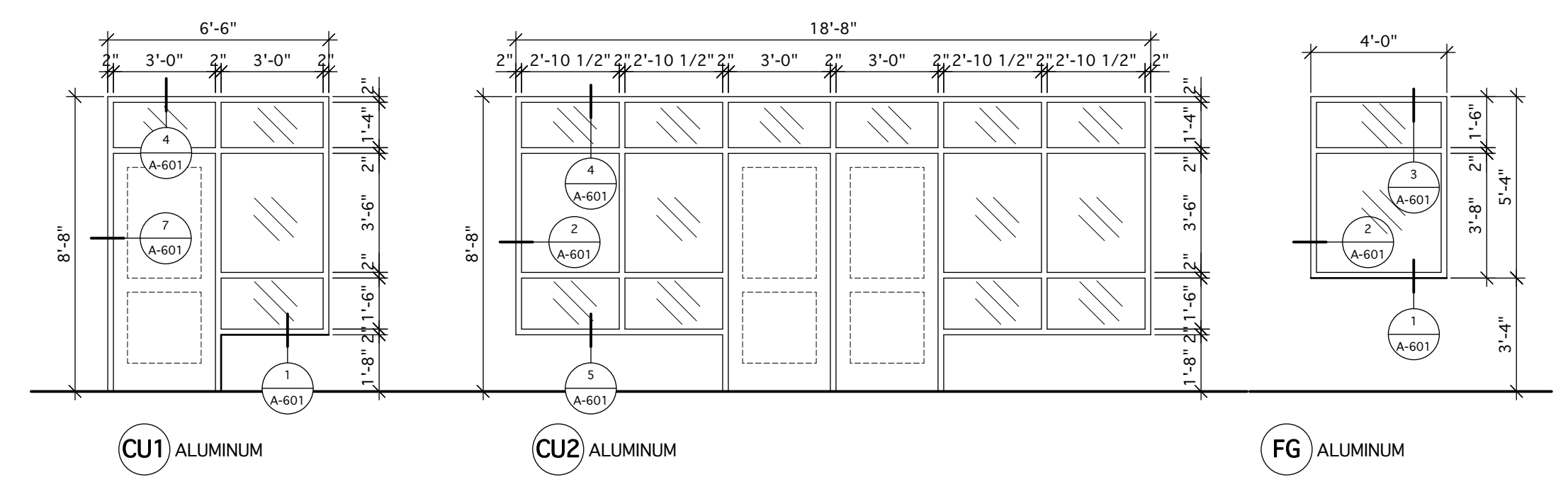


DOOR TYPES, FRAME TYPES

CONFIRM THROAT SIZES OF ALL METAL FRAMES TYP



DOOR/SIDE LIGHT/TRANSOM LIGHT TYPES

WINDOW TYPES

ID	Location	Unit Type	Unit Height	Unit Width	Frame Matl	Door Type	Door Hgt	Door Wdth	Door Thk	Door Matl	Glazing	Fire Label	Hdwr Set	Hi-Performance Insul Glass	Remarks
C101	104	CU1	8'8"	6'6"	ALUM	C	7'0"	3'0"	1 3/4"	ALUM	INSUL		SEE SPEC		
C102	117	CU1	8'8"	6'6"	ALUM	C	7'0"	3'0"	1 3/4"	ALUM	INSUL		SEE SPEC		
C103	118	CU2	8'8"	18'8"	ALUM	C	7'0"	3'0"	1 3/4"	ALUM	INSUL		SEE SPEC	YES	

SEE DETAIL 3 THIS SHEET FOR WINDOW FLASHING AND WINDOW INSTALLATION PROCEDURE TYP. DOOR INSTALLATION SIMILAR. FILL ALL GAPS AROUND PERIMETER OF DOORS W/ SPRAY FOAM INSULATION TYP

ID	Location	Type	Height	Width	Thickness	Door Matl	Glazing	Frame Type	Frame Matl	Fire Label	Hdwr Set	Accessories	Remarks
101	104	B	7'0"	3'0"	1 3/4"	WD	1/4" SAFETY	1	HM		SEE SPEC		
102	107	A	7'0"	3'0"	1 3/4"	WD		1	HM		SEE SPEC		
103	107	A	7'0"	3'0"	1 3/4"	WD		1	HM		SEE SPEC		
104	102	A	7'0"	3'0"	1 3/4"	WD		1	HM		SEE SPEC		
105	101	C	7'0"	(2x) 3'0"	1 3/4"	ALUM	INSUL	3	ALUM		SEE SPEC	REMOVABLE MULLION	
106	103	A	7'0"	3'0"	1 3/4"	WD		1	HM		SEE SPEC		
107	101	B	7'0"	(2x) 3'0"	1 3/4"	WD	1/4" SAFETY	2	HM		SEE SPEC		
108	108	A	7'0"	3'0"	1 3/4"	WD		1	HM		SEE SPEC		
109	109	A	7'0"	3'0"	1 3/4"	WD		1	HM		SEE SPEC		
110	113	A	7'0"	3'0"	1 3/4"	WD		1	HM		SEE SPEC		
111	110	A	7'0"	3'0"	1 3/4"	WD		1	HM		SEE SPEC		
112	111	A	7'0"	3'0"	1 3/4"	WD		1	HM		SEE SPEC		
113	112	A	7'0"	3'0"	1 3/4"	WD		1	HM		SEE SPEC		
114	117	B	7'0"	3'0"	1 3/4"	WD	1/4" SAFETY	1	HM		SEE SPEC		

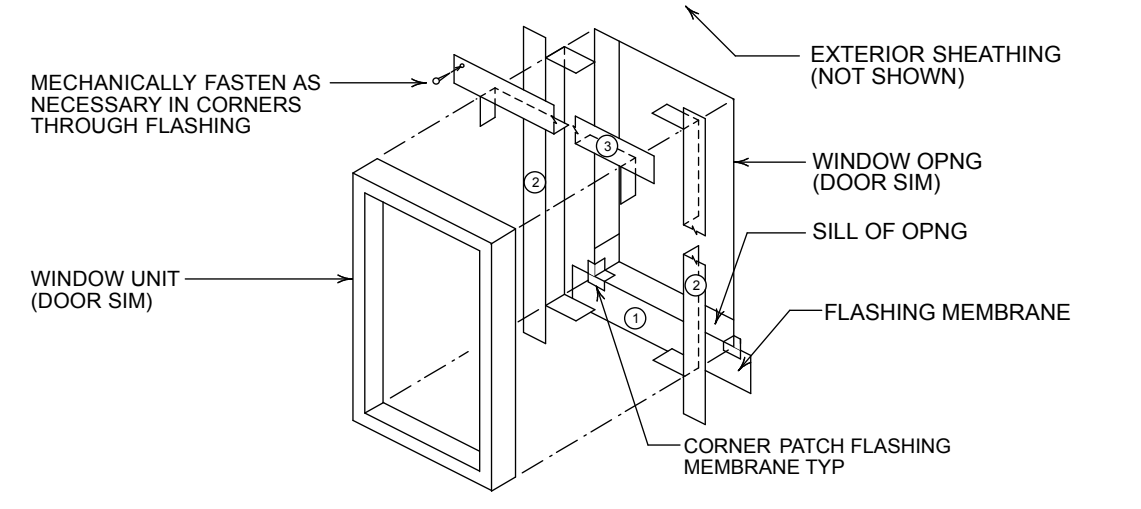
ROOM FINISH LEGEND

- CEILING**
 ACT1 NO CEILING FINISH
 ACT2 ACOUSTIC CEILING TILE
- WALL**
 PGB N/A
 PTD GYPSUM WALL BOARD
- BASE**
 CT CERAMIC TILE
 VB2 VINYL BASE - 6"
- FLOOR**
 CPT1 CARPET 1
 CT CERAMIC TILE
 SC SEALED CONCRETE
 VCT VINYL COMPOSITION TILE

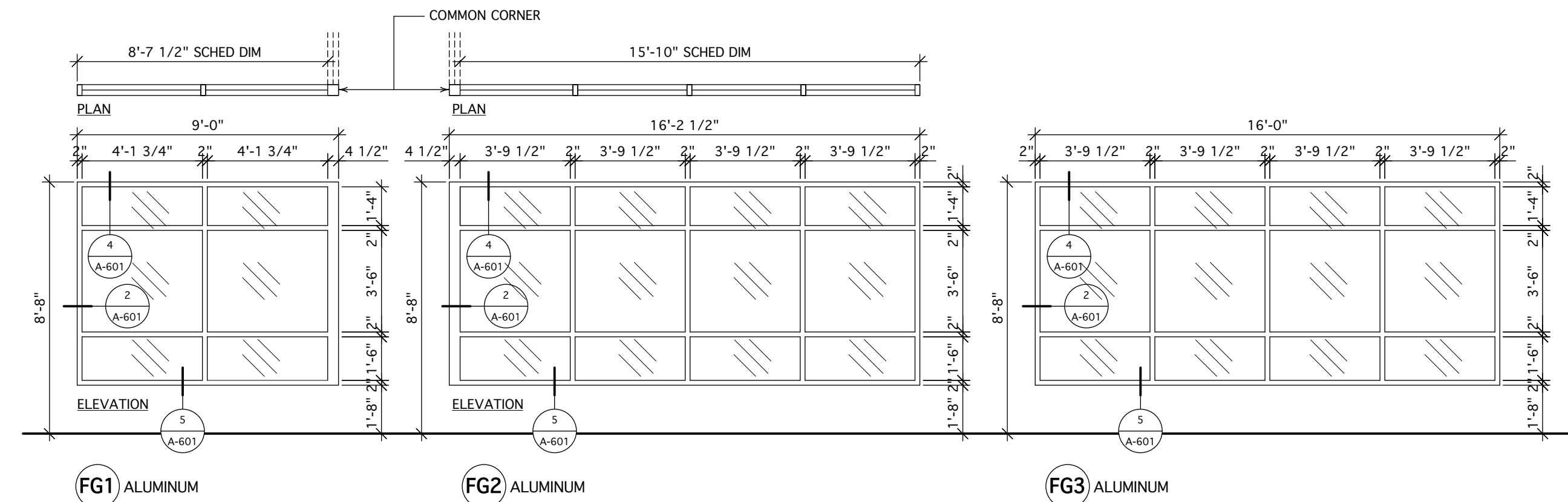
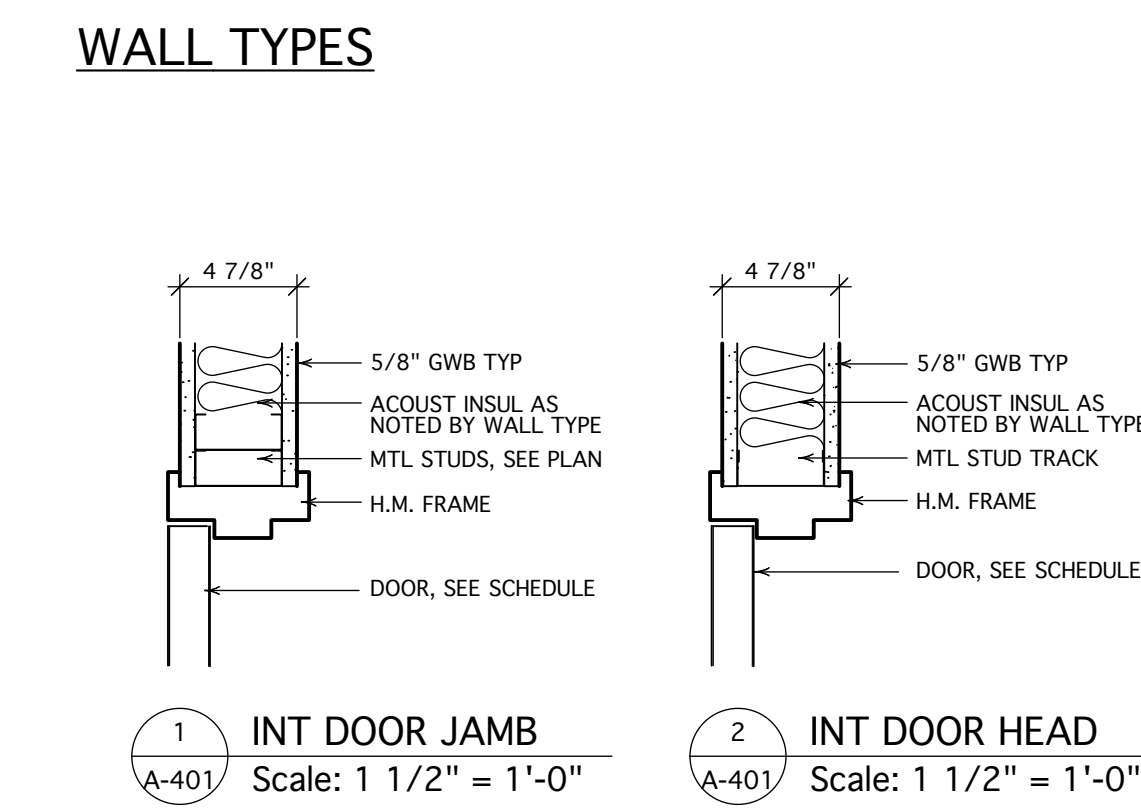
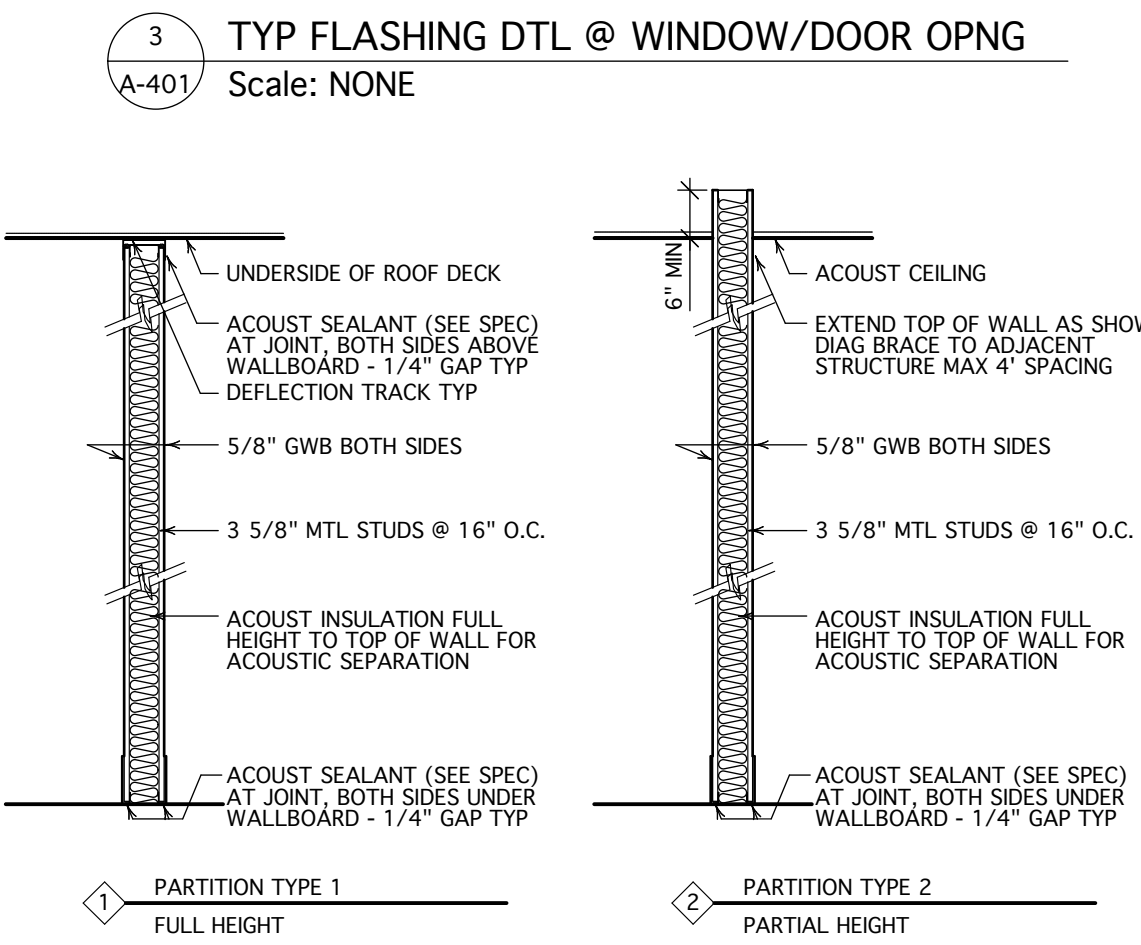
Room Number	Room Name	Floor Matl	Base	Wall North	Wall East	Wall South	Wall West	Ceiling Matl	Remarks
101	VESTIB 1	CT	VB2	PGB	PGB	PGB	PGB	ACT1	
102	BIKES	VCT	VB2	PGB	PGB	PGB	PGB	ACT1	
103	SPRINKLER	SC	VB2	PGB	PGB	PGB	PGB		
104	VESTIB 3	CT	VB2	PGB	PGB	PGB	PGB	ACT1	
105	OPEN OFFICE	CPT1	VB2	PGB	PGB	PGB	PGB	ACT1	
106	RECEPTION	VCT	VB2	PGB	*	PGB	*	ACT1	
107	KENNEBEC 1 CONF	CPT1	VB2	PGB	PGB	PGB	PGB	ACT1	
108	WOMEN	CT	CT	PGB	PGB	PGB	PGB	ACT1	CERAMIC TILE ON ALL WALLS TO HEIGHT INDICATED ON DWGS
109	MEN	CT	CT	PGB	PGB	PGB	PGB	ACT1	CERAMIC TILE ON ALL WALLS TO HEIGHT INDICATED ON DWGS
110	TEL/DATA	VCT	VB2	PGB	PGB	PGB	PGB		
111	ELEC	VCT	VB2	PGB	PGB	PGB	PGB		
112	JAN	VCT	VB2	PGB	PGB	PGB	PGB		4' HIGH FRP ON WALLS BEHIND SINK
113	MOTHERS	CPT1	VB2	PGB	PGB	PGB	PGB	ACT1	
114	KITCHEN	VCT	VB2	PGB	PGB	PGB	PGB	ACT1	
115	TABLE AREA	CPT1	VB2	PGB	PGB	PGB	PGB	ACT1	
116	OPEN OFFICE	CPT1	VB2	PGB	PGB	PGB	PGB	ACT1	
117	VESTIB 2	CT	VB2	PGB	PGB	PGB	PGB	ACT1	
118	ENTRY	CPT1	VB2	PGB	*	PGB	*	ACT1	
119	HALL	CPT1	VB2	PGB	PGB	PGB	PGB	ACT1	CT ON FLOOR IN ALCOVE TO TOILET ROOMS - SEE PLAN

ID	Location	Type	Height	Width	Sill Dtl	Jamb Dtl	Head Dtl	Hi-Performance Insul Glass	Remarks
101	105	FG1	7'0"	8'7 1/2"	5/A-601	2/A-601	6/A-601		WIDTH IS INSIDE FACE OF FRAME
102	105	FG	5'4"	4'0"	1/A-601	2/A-601	3/A-601		
103	105	FG	5'4"	4'0"	1/A-601	2/A-601	3/A-601		
104	105	FG	5'4"	4'0"	1/A-601	2/A-601	3/A-601		
105	105	FG	5'4"	4'0"	1/A-601	2/A-601	3/A-601		
106	105	FG	5'4"	4'0"	1/A-601	2/A-601	3/A-601		
107	105	FG	5'4"	4'0"	1/A-601	2/A-601	3/A-601		
108	105	FG	5'4"	4'0"	1/A-601	2/A-601	3/A-601		
109	105	FG	5'4"	4'0"	1/A-601	2/A-601	3/A-601		
110	105	FG	5'4"	4'0"	1/A-601	2/A-601	3/A-601		
111	105	FG	5'4"	4'0"	1/A-601	2/A-601	3/A-601		
112	116	FG	5'4"	4'0"	1/A-601	2/A-601	3/A-601		
113	116	FG	5'4"	4'0"	1/A-601	2/A-601	3/A-601		
114	116	FG	5'4"	4'0"	1/A-601	2/A-601	3/A-601		
115	116	FG	5'4"	4'0"	1/A-601	2/A-601	3/A-601		
116	116	FG	5'4"	4'0"	1/A-601	2/A-601	3/A-601		
117	116	FG	5'4"	4'0"	1/A-601	2/A-601	3/A-601		
118	116	FG	5'4"	4'0"	1/A-601	2/A-601	3/A-601		
119	116	FG	5'4"	4'0"	1/A-601	2/A-601	3/A-601		
120	116	FG	5'4"	4'0"	1/A-601	2/A-601	3/A-601		
121	116	FG	5'4"	4'0"	1/A-601	2/A-601	3/A-601		
122	116	FG	5'4"	4'0"	1/A-601	2/A-601	3/A-601		
123	116	FG1	7'0"	8'7 1/2"	5/A-601	2/A-601	6/A-601		WIDTH IS INSIDE FACE OF FRAME
124	116	FG2	7'0"	15'10"	5/A-601	2/A-601	6/A-601		WIDTH IS INSIDE FACE OF FRAME
125	116	FG	5'4"	4'0"	1/A-601	2/A-601	3/A-601		
126	116	FG	5'4"	4'0"	1/A-601	2/A-601	3/A-601		
127	116	FG	5'4"	4'0"	1/A-601	2/A-601	3/A-601		
128	116	FG2	7'0"	15'10"	5/A-601	2/A-601	6/A-601		WIDTH IS INSIDE FACE OF FRAME
129	116	FG1	7'0"	8'7 1/2"	5/A-601	2/A-601	6/A-601	YES	WIDTH IS INSIDE FACE OF FRAME
130	116	FG	5'4"	4'0"	1/A-601	2/A-601	3/A-601	YES	
131	116	FG	5'4"	4'0"	1/A-601	2/A-601	3/A-601	YES	
132	116	FG	5'4"	4'0"	1/A-601	2/A-601	3/A-601	YES	
133	116	FG	5'4"	4'0"	1/A-601	2/A-601	3/A-601	YES	
134	116	FG	5'4"	4'0"	1/A-601	2/A-601	3/A-601	YES	
135	116	FG	5'4"	4'0"	1/A-601	2/A-601	3/A-601	YES	
136	116	FG	5'4"	4'0"	1/A-601	2/A-601	3/A-601	YES	
137	116	FG	5'4"	4'0"	1/A-601	2/A-601	3/A-601	YES	
138	116	FG	5'4"	4'0"	1/A-601	2/A-601	3/A-601	YES	
139	116	FG3	7'0"	16'0"	5/A-601	2/A-601	6/A-601	YES	
140	105	FG3	7'0"	16'0"	5/A-601	2/A-601	6/A-601	YES	
141	105	FG	5'4"	4'0"	1/A-601	2/A-601	3/A-601	YES	
142	105	FG	5'4"	4'0"	1/A-601	2/A-601	3/A-601	YES	
143	105	FG	5'4"	4'0"	1/A-601	2/A-601	3/A-601	YES	
144	105	FG	5'4"	4'0"	1/A-601	2/A-601	3/A-601	YES	
145	105	FG	5'4"	4'0"	1/A-601	2/A-601	3/A-601	YES	
146	105	FG	5'4"	4'0"	1/A-601	2/A-601	3/A-601	YES	
147	105	FG	5'4"	4'0"	1/A-601	2/A-601	3/A-601	YES	
148	105	FG	5'4"	4'0"	1/A-601	2/A-601	3/A-601	YES	
149	105	FG1	7'0"	8'7 1/2"	5/A-601	2/A-601	6/A-601	YES	WIDTH IS INSIDE FACE OF FRAME
150	105	FG2	7'0"	15'10"	5/A-601	2/A-601	6/A-601		WIDTH IS INSIDE FACE OF FRAME
151	105	FG	5'4"	4'0"	1/A-601	2/A-601	3/A-601		
152	105	FG	5'4"	4'0"	1/A-601	2/A-601	3/A-601		
153	105	FG	5'4"	4'0"	1/A-601	2/A-601	3/A-601		
154	105	FG2	7'0"	15'10"	5/A-601	2/A-601	6/A-601		WIDTH IS INSIDE FACE OF FRAME

SEE DETAIL 3 THIS SHEET FOR WINDOW FLASHING AND WINDOW INSTALLATION PROCEDURE TYP. FILL ALL GAPS AROUND PERIMETER OF WINDOWS W/ SPRAY FOAM INSULATION TYP



- NOTES:
 A) INSTALL MEMBRANE FLASHING IN ORDER AS SHOWN BY NUMBERS
 B) IF APPLICABLE, LEAVE RELEASE PAPER ON LOWER HALF OF SILL FLASHING UNTIL FUTURE TIE-IN
 C) INSTALL SILL PAN FLASHING, LAP MOISTURE BARRIER OVER END DAMS; INSTALL MEMBRANE FLASHING WITH MOISTURE BARRIER TO FORM WATER SHEDDING LAPS
 D) DETAIL ALSO APPLICABLE AT DOOR OPENINGS BUT W/O SILL FLASHING



WINDOW TYPES (CONT)