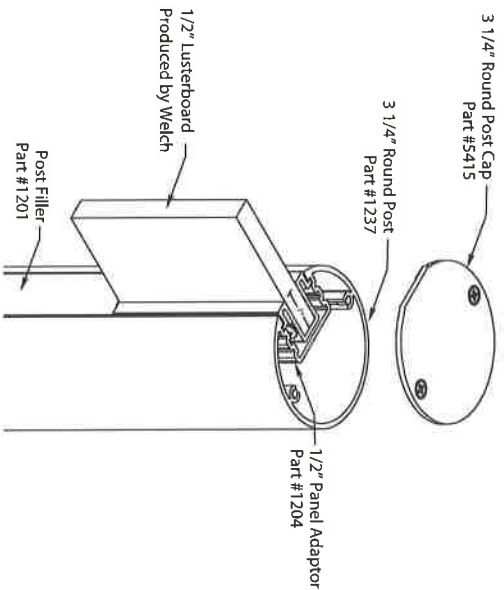


SIGN COMP POST AND PANEL HARDWARE



3 1/4" Round Post - Part #1237
CUSTOM ORDER: POSTS CUT TO DESIRED LENGTH - STANDARD LENGTH: 48"
 Post Filler - Part #1201
CUSTOM ORDER: FILLER CUT TO DESIRED LENGTH FROM BOTTOM OF SIGN TO 6" BELOW GRADE
 1/2" Panel Adaptor - Part #1204
CUSTOM ORDER: ADAPTOR CUT TO DESIRED LENGTH (SEE DRAWING)

POSTS 36" BELOW GRADE

Approved By: _____

Date: _____

DISCLAIMER: Welch is not responsible for the output of customer supplied files or logos. It is the customer's responsibility to make sure they have supplied the files in the correct resolution and PMS colors. Colors will vary from monitor to printer. Welch is not responsible for color variation. Custom proof color matching is available for an additional fee. Please call or visit www.welchusa.com/artwork for file information

VEHICLES: Although Vehicle Graphics are meant to last 3-5 years, Welch will only warranty the replacement of vehicle graphics 60 days from the install date. Graphics are a temporary advertisement. Please note that sunlight, bad weather, rocks, pressure washing and incorrect care of your graphics can shorten life span.

©2013 Welch Signage, All Rights Reserved. All information contained in this drawing is confidential; do not distribute do not reproduce.

Non-ADA Fabricated Sign Specifications

Job Name: SPURWINK
 Job #: 18549
 Customer Name: SPURWINK
 Scope: SIGN COMP POST AND PANEL SIGN
 Sales Rep/Drawn By: JS / KMR
 Revision #: 1
 Date: 4.9.15
 File Location: J: SPURWINK 18549

WELCH SIGNAGE
EST. 1978
 207.853.6200
www.welchusa.com

Sign Components

Face Material/Thickness: 1/2" LUTERBOARD
 Edges: Straight
 Corners: Square
 West System: Yes
 Insert: NA
 First Surface Color: NA
 Second Surface Color: NA

Vinyl Color: NA
 2nd Layer Material/Thickness: NA
 First Surface Color: NA
 Second Surface Color: NA

Graphic Content

Process: FRONT APPLIED CONTROL TAC
 Copy Height: PER LOGO / 2.5"
 Copy Style: BRANDON MED
 Copy Color: BLACK

Mounting

Hardware: SIGN COMP POSTS - SEE DRAWING
 Holes: Location: NA
 Mounting Location: NA
 Tape: NA
 Surface: NA
 Glass Backer/mat/color: NA
 Frame

Type: NA
 Size: NA
 Color: NA

Proofed - In Design: _____ In Production: _____