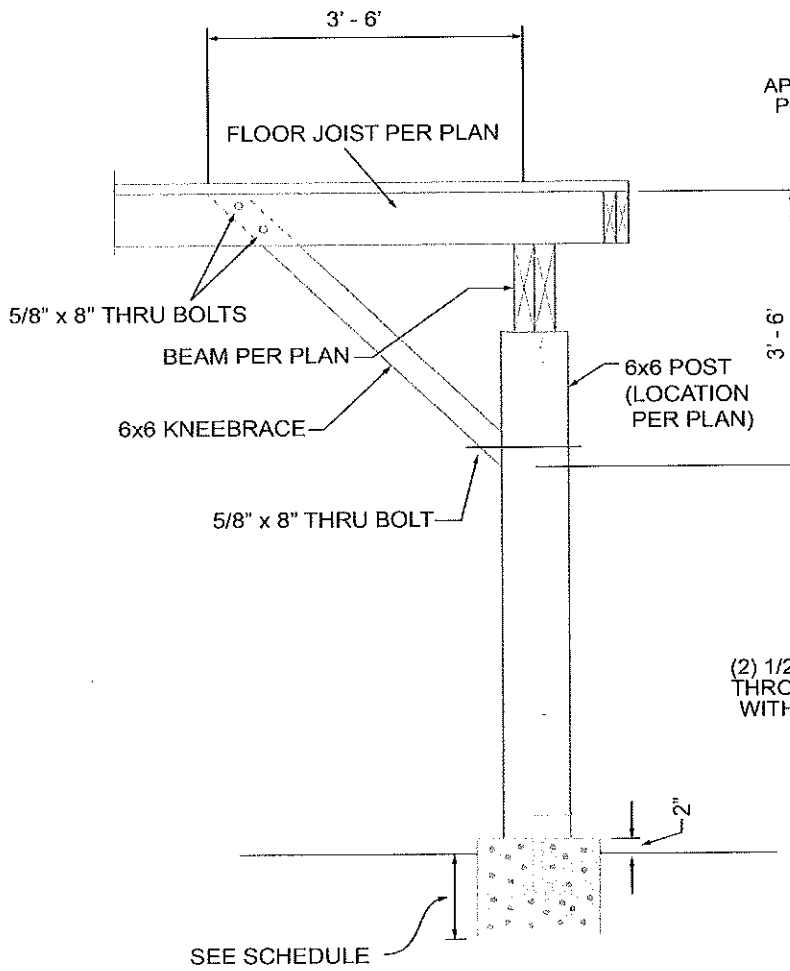


## INSTALLATION CHECKLIST

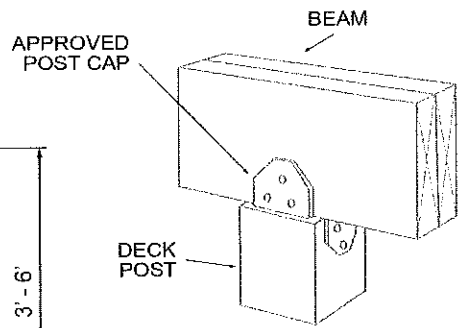
### Post bracing

Brace posts as dictated by local codes and by-laws.

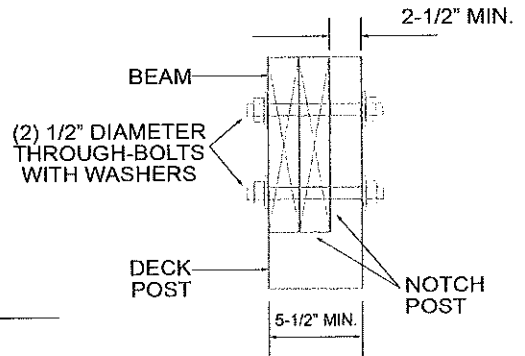
### BRACE AT JOIST



### POST CAP



### NOTCHED POST



**8'-0" MAX. GRADE TO TOP OF DECKING**

NOT FOR CONSTRUCTION TO BE ENGINEERED TO LOCAL CODES

NOT TO SCALE