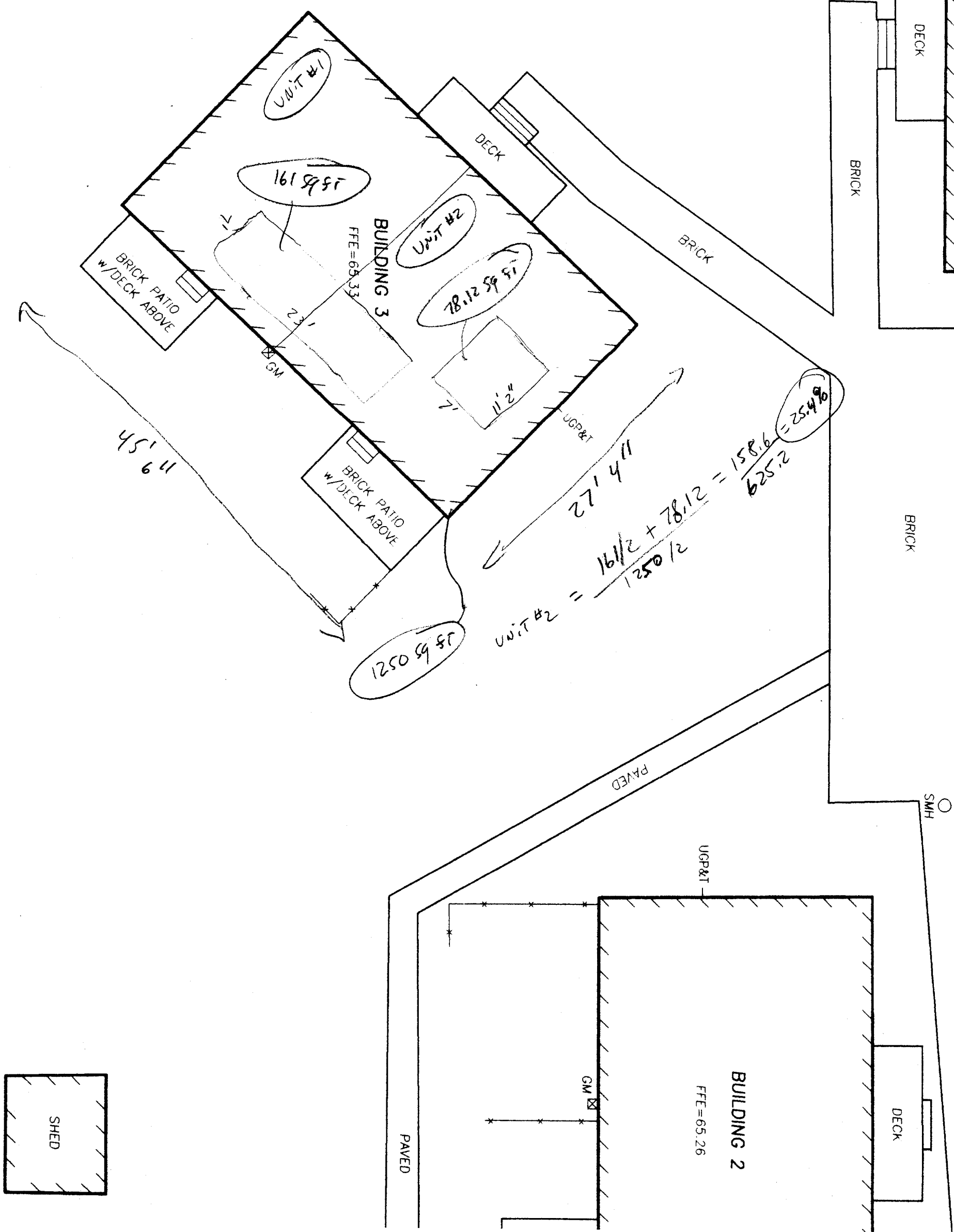


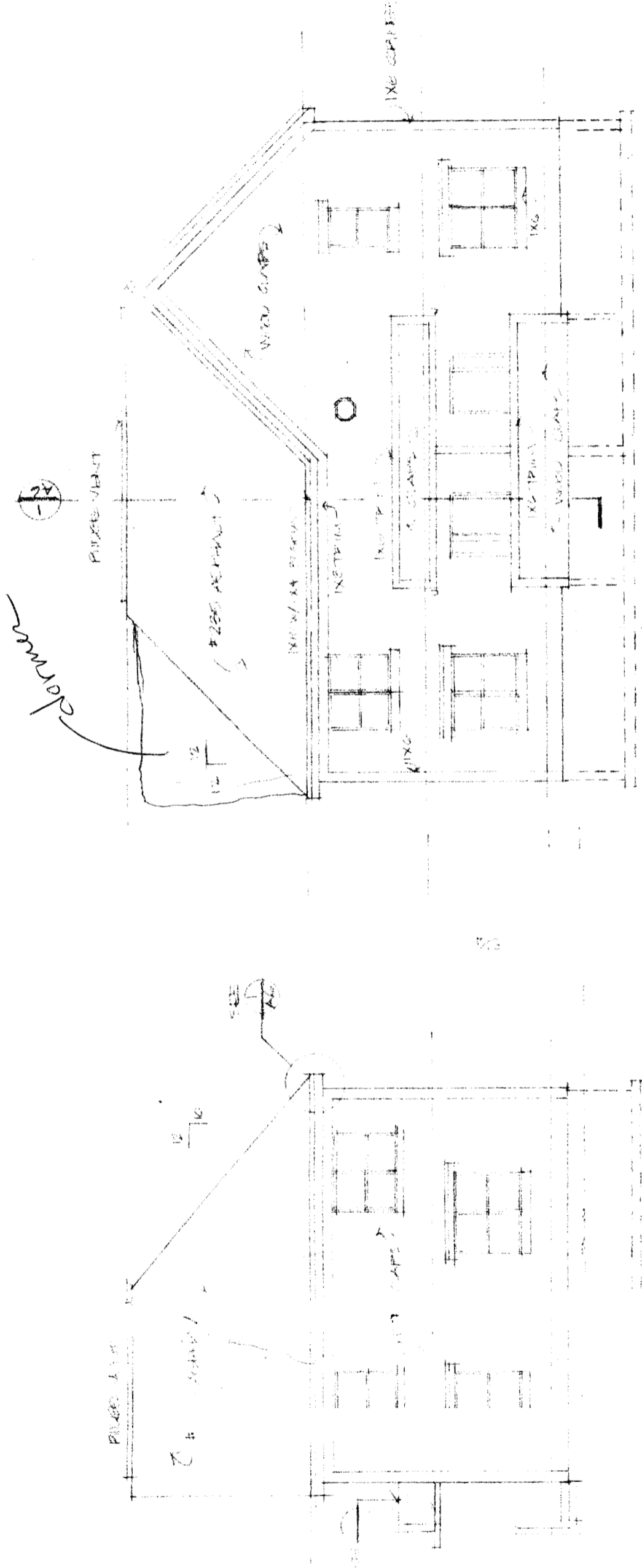
N41°12'20"W  
149.37'

STOCKADE FENCE

RS PRUD  
Sec. 14-436(a) allows 50% expansion  
1st FL Footprint



193.50'  
554'55"33" W

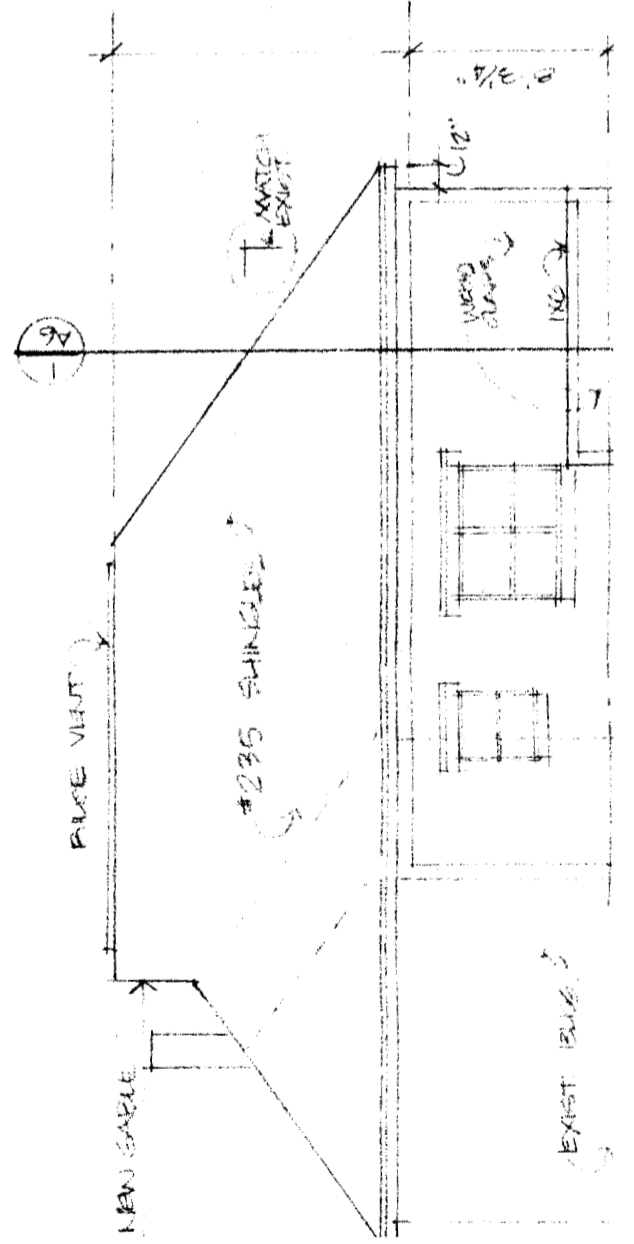


BUILDING C SOUTH

BUILDING C WEST

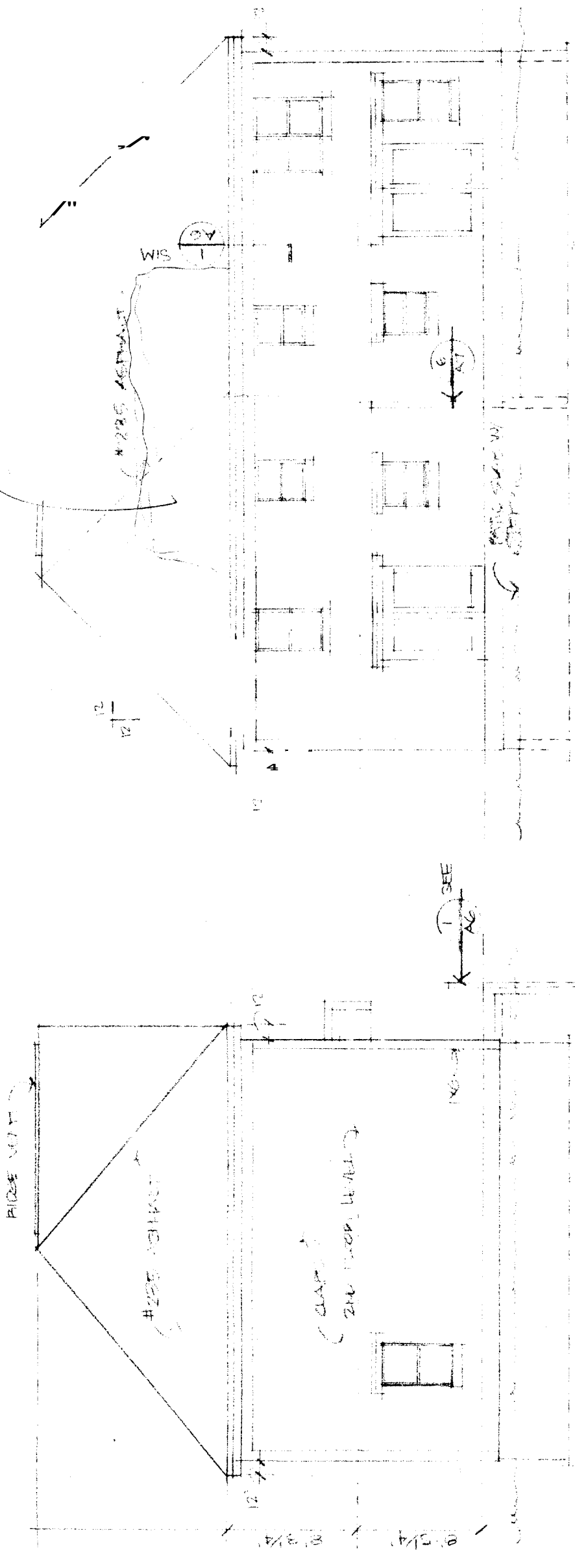
8

BUII



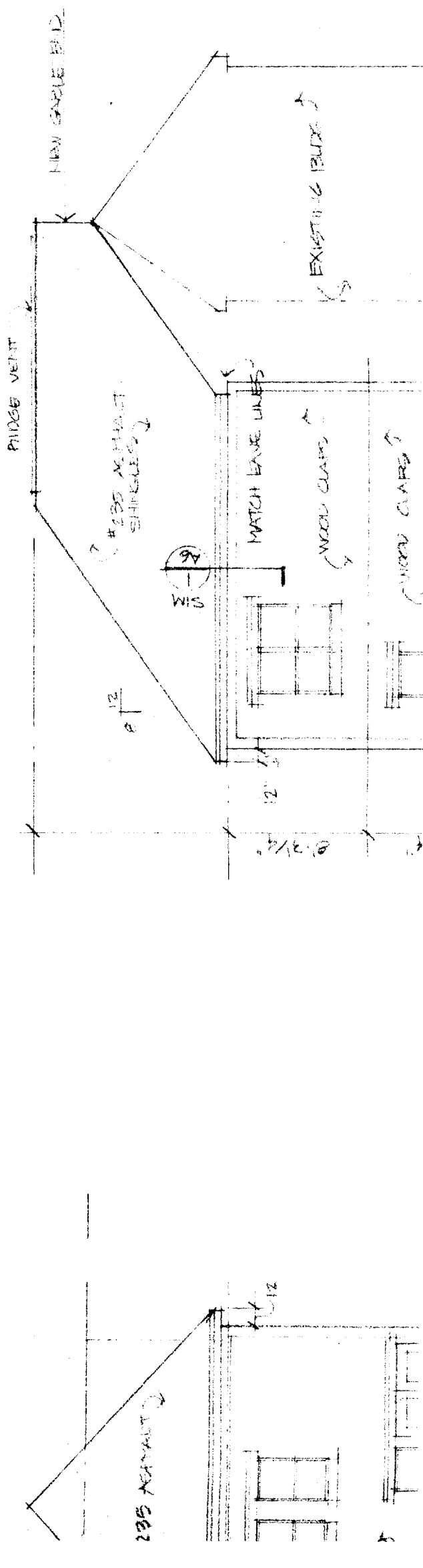
8

dormer



# BUILDING C NORTH

# BUILDING C EAST



OCT 1 2 2004  
FIVE