

EROSION AND SEDIMENTATION CONTROL NOTES

THIS PLAN HAS BEEN DEVELOPED AS A STRATEGY TO CONTROL SOIL EROSION AND SEDIMENTATION DURING AND AFTER CONSTRUCTION. THIS PLAN IS BASED ON THE STANDARDS AND SPECIFICATIONS FOR EROSION PREVENTION IN DEVELOPING AREAS AS CONTAINED IN THE "MAINE EROSION AND SEDIMENT CONTROL BEST MANAGEMENT PRACTICES", MAINE DEPARTMENT OF ENVIRONMENTAL PROTECTION DATED MARCH 2003.

THE PROPOSED LOCATIONS OF SILTATION AND EROSION CONTROL STRUCTURES ARE SHOWN ON THE SITE PLAN.

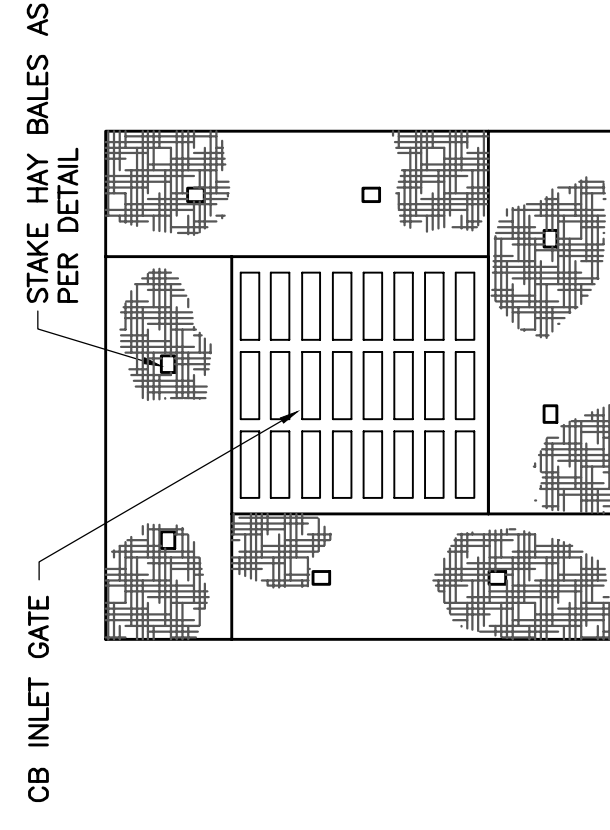
- ALL SEDIMENT AND EROSION CONTROL MEASURES SHALL BE DONE IN ACCORDANCE WITH THE "MAINE EROSION AND SEDIMENT CONTROL BEST MANAGEMENT PRACTICES", MAINE DEPARTMENT OF ENVIRONMENTAL PROTECTION, DATED MARCH 2003.
- THOSE AREAS UNDERGOING ACTUAL CONSTRUCTION WILL BE MAINTAINED IN AN UNTREATED OR UNVEGETATED CONDITION THROUGHOUT CONSTRUCTION. ALL EXPOSED AREAS SHALL BE PERMANENTLY STABILIZED WITHIN 15 DAYS OF FINAL GRADING AND TEMPORARILY STABILIZED WITHIN 30 DAYS OF INITIAL DISTURBANCE OF THE SOIL.
- SEDIMENT BARRIERS (SILT FENCE, STONE CHECK DAMS, ETC.) SHOULD BE INSTALLED PRIOR TO ANY SOIL DISTURBANCE OF UPGRADIENT DRAINAGE AREAS.
- INSTALL SILT FENCE AT TOP OF SLOPES TO FILTER SILT FROM RUNOFF. SEE SILT FENCE DETAIL FOR PROPER INSTALLATION. SILT FENCE WILL REMAIN IN PLACE PER NOTE #5.
- ALL EROSION CONTROL STRUCTURES WILL BE INSPECTED, REPLACED AND/OR REPAIRED EVERY 7 DAYS AND IMMEDIATELY FOLLOWING ANY SIGNIFICANT RAINFALL OR SNOW MELT OR WHEN NO LONGER SERVICEABLE DUE TO SEDIMENT ACCUMULATION OR DECOMPOSITION. SEDIMENT ACCUMULATED ON THE STRUCTURES SHALL BE REMOVED FROM THE STRUCTURES. THE BARRIER SEDIMENT CONTROL DEVICES SHALL REMAIN IN PLACE AND BE MAINTAINED BY THE CONTRACTOR UNTIL AREAS UPSLOPE ARE PERMANENTLY STABILIZED.
- NO SLOPES, EITHER PERMANENT OR TEMPORARY, SHALL BE STEEPER THAN TWO HORIZONTAL TO ONE VERTICAL (2 TO 1) UNLESS STABILIZED WITH RIPRAP OR OTHER STRUCTURAL MEANS.
- IF FINAL SEEDING AND SODDING IS NOT EXPECTED PRIOR TO THE ANTICIPATED DATE OF THE FIRST KILLING FROST, USE TEMPORARY ANNUAL RYEGRASS SEEDING AND MULCHING ON ROUGH GRADINGS AND SODDING UNTIL SPRING.
- WHEN FEASIBLE, TEMPORARY SEEDING OF DISTURBED AREAS THAT HAVE NOT BEEN FINISH GRADED SHALL BE COMPLETED 30 DAYS PRIOR TO THE FIRST KILLING FROST.
- DURING THE CONSTRUCTION PHASE, INTERCEPTED SEDIMENT WILL BE RETURNED TO THE SITE AND REGRADED ONTO OPEN AREAS. POST SEEDING SEDIMENT, IF ANY, WILL BE DISPOSED OF IN AN ACCEPTABLE MANNER.
- REVEGETATION MEASURES WILL COMMENCE UPON COMPLETION OF CONSTRUCTION EXCEPT AS NOTED ABOVE. ALL DISTURBED AREAS NOT OTHERWISE STABILIZED WILL BE GRADED, SMOOTHED, AND REVEGETATED.
- ALL TEMPORARY EROSION CONTROL MEASURES SHALL BE REMOVED ONCE THE SITE IS STABILIZED.
- STABILIZATION SCHEDULE BEFORE WINTER:
 - SEPTEMBER 15 ALL DISTURBED AREAS MUST BE SEEDED AND MULCHED. SLOPES 3:1 OR GREATER TO BE STABILIZED WITH EROSION CONTROL MATTING AND SEEDED. ALL DISTURBED AREAS TO BE PROTECTED WITH AN ANNUAL GRASS MUST BE SEEDING AT A SEEDING RATE OF 3 POUNDS PER 1,000 SQUARE FEET AND MULCHED.
 - OCTOBER 1 ALL GRASS-LINED DITCHES AND CHANNELS MUST BE STABILIZED WITH MULCH OR EROSION CONTROL BLANKET.
 - NOVEMBER 15 ALL STONE-LINED DITCHES AND CHANNELS MUST BE CONSTRUCTED AND STABILIZED. SLOPES THAT ARE COVERED WITH RIPRAP MUST BE CONSTRUCTED BY THAT DATE.
 - DECEMBER 1 ALL DISTURBED AREAS WHERE THE GROWTH OF VEGETATION FAILS TO BE AT LEAST THREE INCHES TALL OR AT LEAST 75% OF THE DISTURBED SOIL IS COVERED BY VEGETATION, MUST BE PROTECTED FOR OVER-WINTER.

EROSION CONTROL - WINTER CONSTRUCTION

- WINTER CONSTRUCTION PERIOD DEFINED: NOVEMBER 1 THROUGH APRIL 15
- WINTER EXCAVATION AND EARTHWORK SHALL BE DONE SUCH THAT NO MORE THAN 1 ACRE OF THE SITE IS WITHOUT STABILIZATION AT ANY ONE TIME.
- EXPOSED AREA SHOULD BE LIMITED SUCH THAT THE AREA CAN BE MULCHED IN ONE DAY PRIOR TO ANY SNOW EVENT.
- CONTINUATION OF EARTHWORK OPERATIONS ON ADDITIONAL AREAS SHALL NOT BEGIN UNTIL THE PREVIOUS WORKING AREA HAS BEEN STABILIZED AND EROSION CONTROL PROTECTION AS LISTED IN ITEM 2 ABOVE.
- AN AREA SHALL BE CONSIDERED TO HAVE BEEN STABILIZED WHEN EXPOSED SURFACES HAVE BEEN EITHER MULCHED WITH STRAW AT A RATE OF 100 LB. PER 1,000 SQUARE FEET WITHOUT SEEDING OR SEEDING AND MULCHED AND ADEQUATELY ANCHORED BY THE APPROPRIATE SEEDING TECHNIQUE. MULCH SHALL BE APPLIED SUCH THAT SOIL SURFACE IS NOT VISIBLE THROUGH THE MULCH.
- BETWEEN THE DATES OF OCTOBER 15 AND APRIL 15, LOAM OR SEED WILL NOT BE REQUIRED. DURING PERIODS OF ABOVE-FREEZING TEMPERATURES, THE SLOPES SHALL BE FINE GRADED AND EITHER PROTECTED WITH MULCH OR TEMPORARILY SEEDED AND MULCHED UNTIL SUCH TIME AS THE EXPOSED AREA HAS BEEN LOADED WITH FINAL GRADED AND IS NOVEMBER 1ST AND IF THE EXPOSED AREA HAS BEEN LOADED WITH MULCH, IF CONSTRUCTION CONTINUES DURING FREEZING WEATHER, ALL EXPOSED AREAS SHALL BE GRADED BEFORE FREEZING AND THE SURFACE TEMPORARILY PROTECTED FROM EROSION BY THE APPLICATION OF MULCH. SLOPES SHALL NOT BE LEFT EXPOSED OVER THE WINTER OR THROUGH THE WINTER. MULCH SHALL NOT BE APPLIED TO THE WINTER EXPOSED AREAS UNLESS SUCH TIME AS WEATHER CONDITIONS ALLOW DITCHES TO BE FINISHED IN A MANNER THAT PERMITS SURFACE TREATMENT. EROSION SHALL BE CONTROLLED BY THE INSTALLATION OF BALES OF HAY OR STONE CHECK DAMS IN ACCORDANCE WITH THE STANDARD DETAILS.
- THE APPLICATION OF MULCH TO FINE GRADED AREAS WILL BE STABILIZED AS FOLLOWS:
 - BETWEEN THE DATES OF NOVEMBER 1ST AND APRIL 15TH ALL MULCH SHALL BE APPLIED TO ALL EXPOSED AREAS WITH MULCH NETTING, ASPHALT EMULSION, CHEMICAL TACK OR WOOD CELLULOSE FIBER.
 - MULCH NETTING SHALL BE USED TO ANCHOR MULCH IN ALL DRAINAGEWAYS WITH A SLOPE GREATER THAN 3% FOR SLOPES EXPOSED TO DIRECT WINDS AND FOR ALL OTHER SLOPES GREATER THAN 8%.
 - MULCH NETTING SHALL BE USED TO ANCHOR MULCH IN ALL AREAS WITH SLOPES GREATER THAN 8%. AFTER OCTOBER 1ST, THE SAME APPLIES FOR ALL SLOPES GREATER THAN 8%.
- AFTER NOVEMBER 1ST THE CONTRACTOR SHALL APPLY MULCH AND ANCHORING ON ALL BARE EARTH AT THE END OF EACH WORKING DAY.
- DURING WINTER CONSTRUCTION PERIODS ALL SNOW SHALL BE REMOVED FROM AREAS OF MULCHING PRIOR TO PLACEMENT.

EROSION CONTROL - WETLAND NOTES

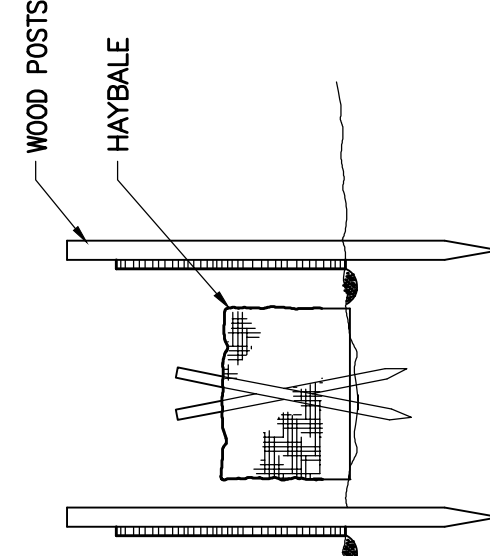
- WETLANDS AND SURFACE WATERS (EXCEPTING THOSE WHICH ARE TO BE FILLED IN ACCORDANCE WITH FEDERAL AND STATE REGULATIONS) SHALL BE PROTECTED FROM SILT FENCE INSTALLED AT THE EDGE OF THE WETLAND OR THE BOUNDARY OF WETLAND DISTURBANCE.
- IF THE WORK INCLUDES CROSSING OF WETLANDS AND/OR STREAMS, THE CONTRACTOR SHALL TAKE SPECIAL PRECAUTIONS WORKING IN THESE AREAS
- ANY WETLAND CROSSING WORK SHALL BE COMPLETED BETWEEN THE PERIOD OF MAY 1 AND SEPTEMBER 30.
- ALL EROSION CONTROL MEASURES SHALL BE IN PLACE PRIOR TO COMMENCING CONSTRUCTION WITHIN OR ADJACENT TO WETLAND AREAS.
- WETLAND VEGETATIVE LAYERS SHALL BE REMOVED AND SALVAGED FOR RESTORATION OF THE DISTURBED AREAS.
- STORAGE AREAS FOR WETLAND MATERIALS SHALL BE PROPERLY PROTECTED AGAINST EROSION.
- SEEDING OF THE DISTURBED AREAS WITHIN WETLAND AREAS SHALL UTILIZE MIXTURES APPROPRIATE FOR WETLAND AREAS AS OUTLINED IN THE SPECIFICATIONS.



NOTE: HAYBALES MINIMUM OF 4".

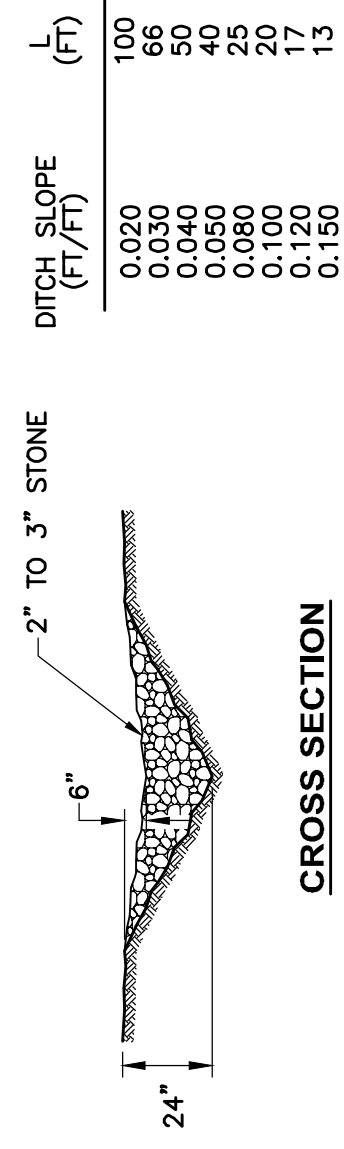
HAY BALE CB INLET PROTECTION

SCALE: NTS

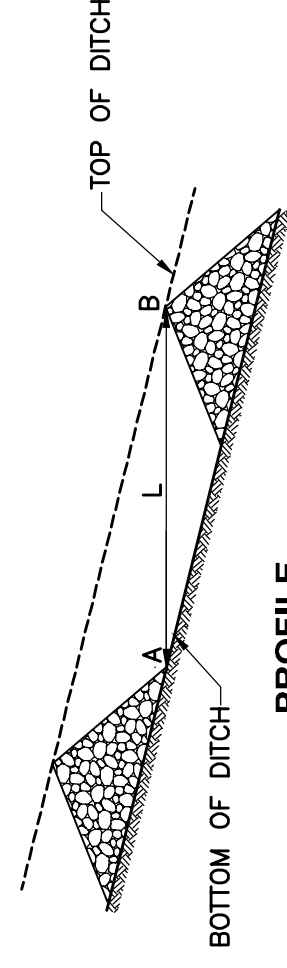


COMBINATION SILT FENCE AND HAY BALE BARRIER

SCALE: NTS

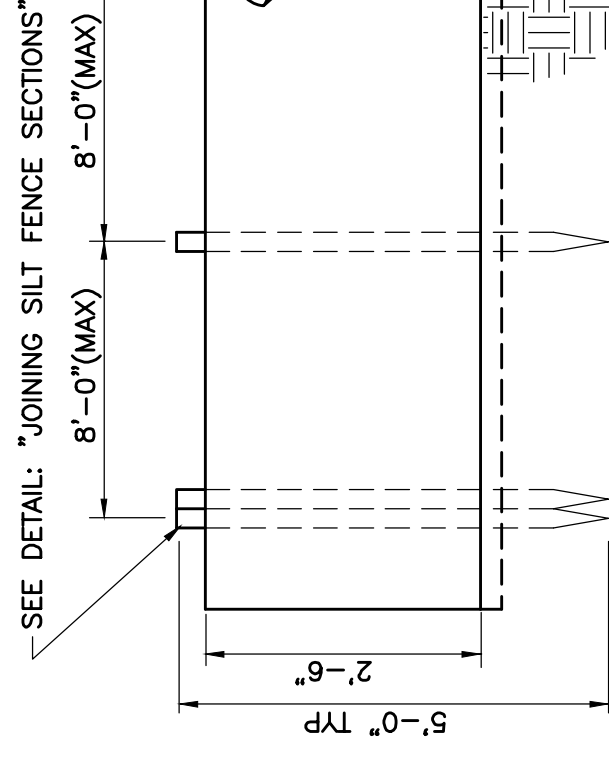


CROSS SECTION



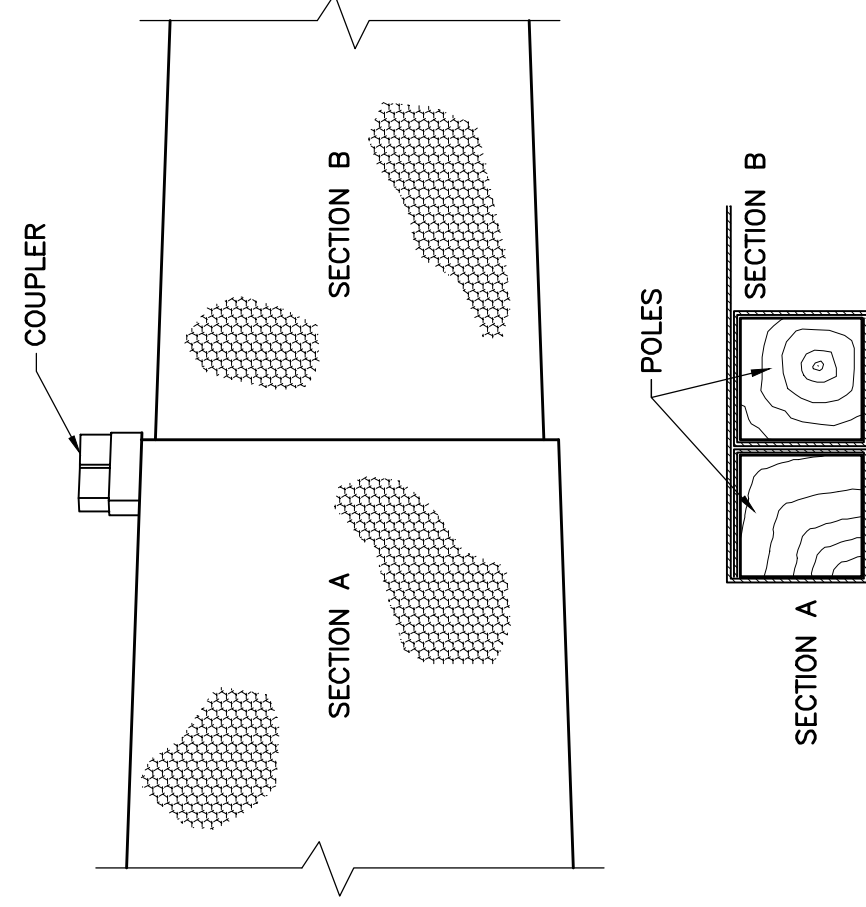
STONE CHECK DAM DETAIL

SCALE: NTS



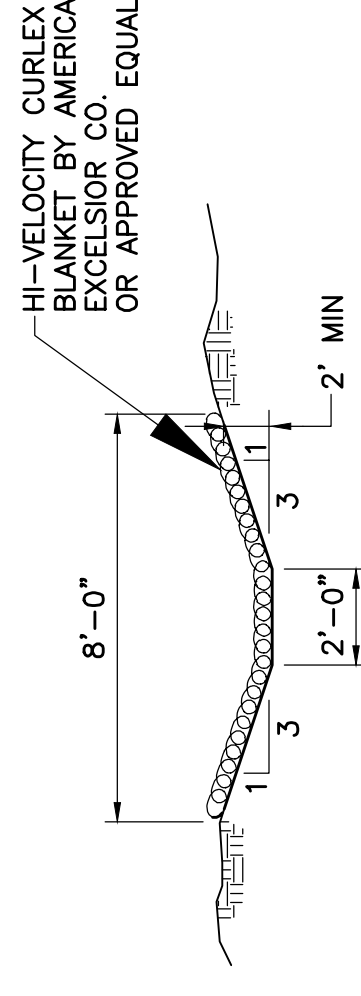
SILT FENCE INSTALLATION DETAIL

SCALE: NTS



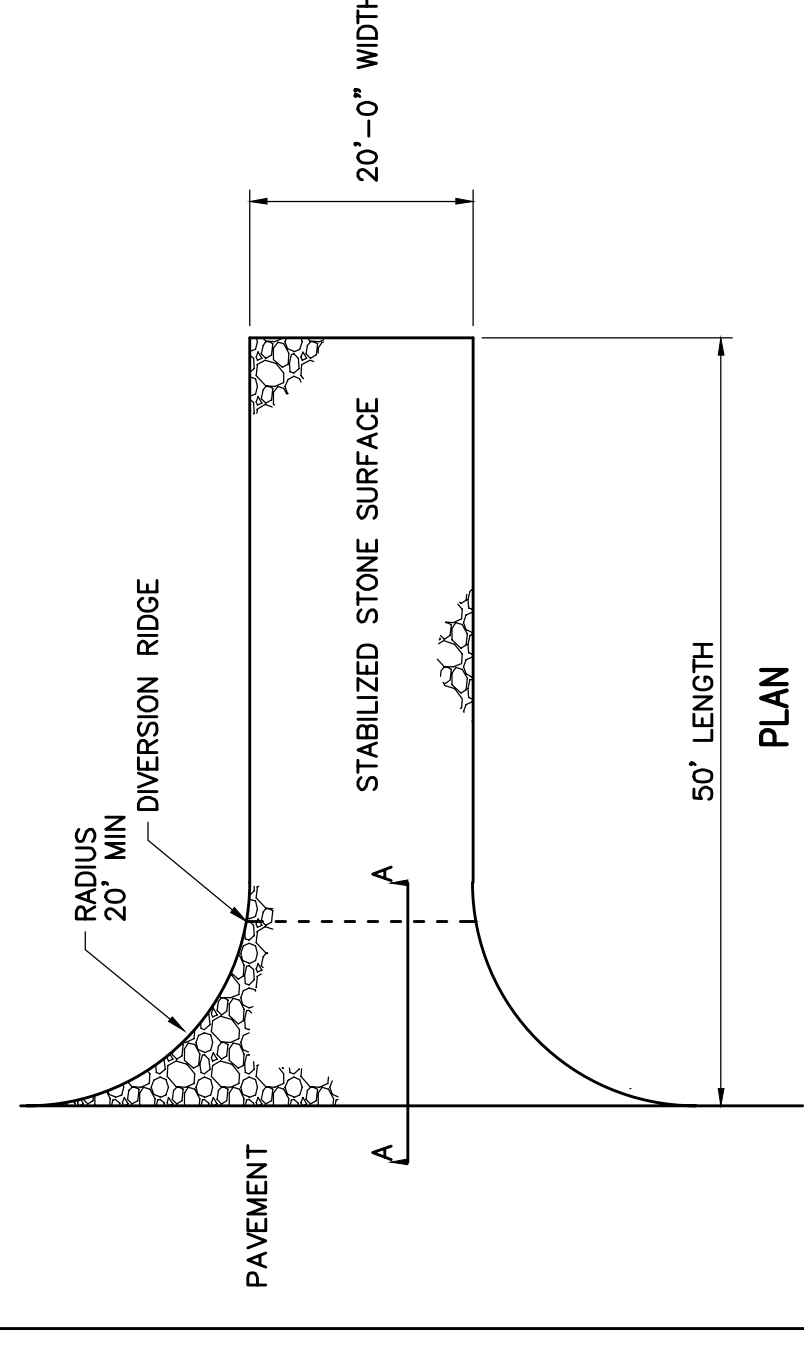
JOINING SILT FENCE SECTIONS

SCALE: NTS

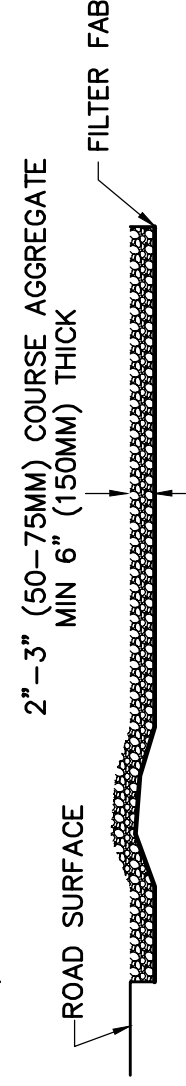


EROSION CONTROL MATTING - DITCHES

SCALE: NTS



PLAN



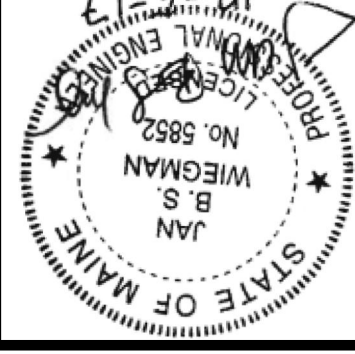
SECTION A-A

(TEMPORARY, TO BE REMOVED PRIOR TO FINAL SITE PAVING)

STABILIZED CONSTRUCTION ENTRANCE

SCALE: NTS

PRELIMINARY FOR REVIEW ONLY



DESIGNED BY: MAS
CHECKED BY: MAS
APPROVED BY: JBM
DATE: 11-17
PROJECT NO: 15682A

NO.	DATE	DESCRIPTION
5	10/17	50% REVIEW
4		
3		
2		
1		

THE CEDARS
ASSISTED LIVING AND
LONG-TERM CARE FACILITY
PORTLAND, ME
EROSION CONTROL NOTES AND DETAILS