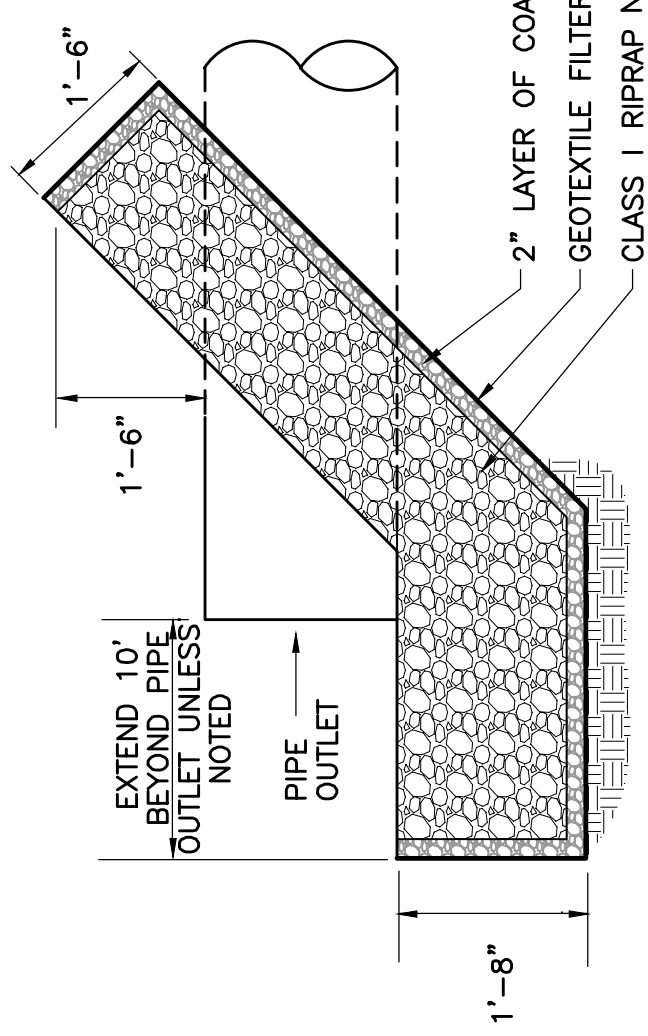
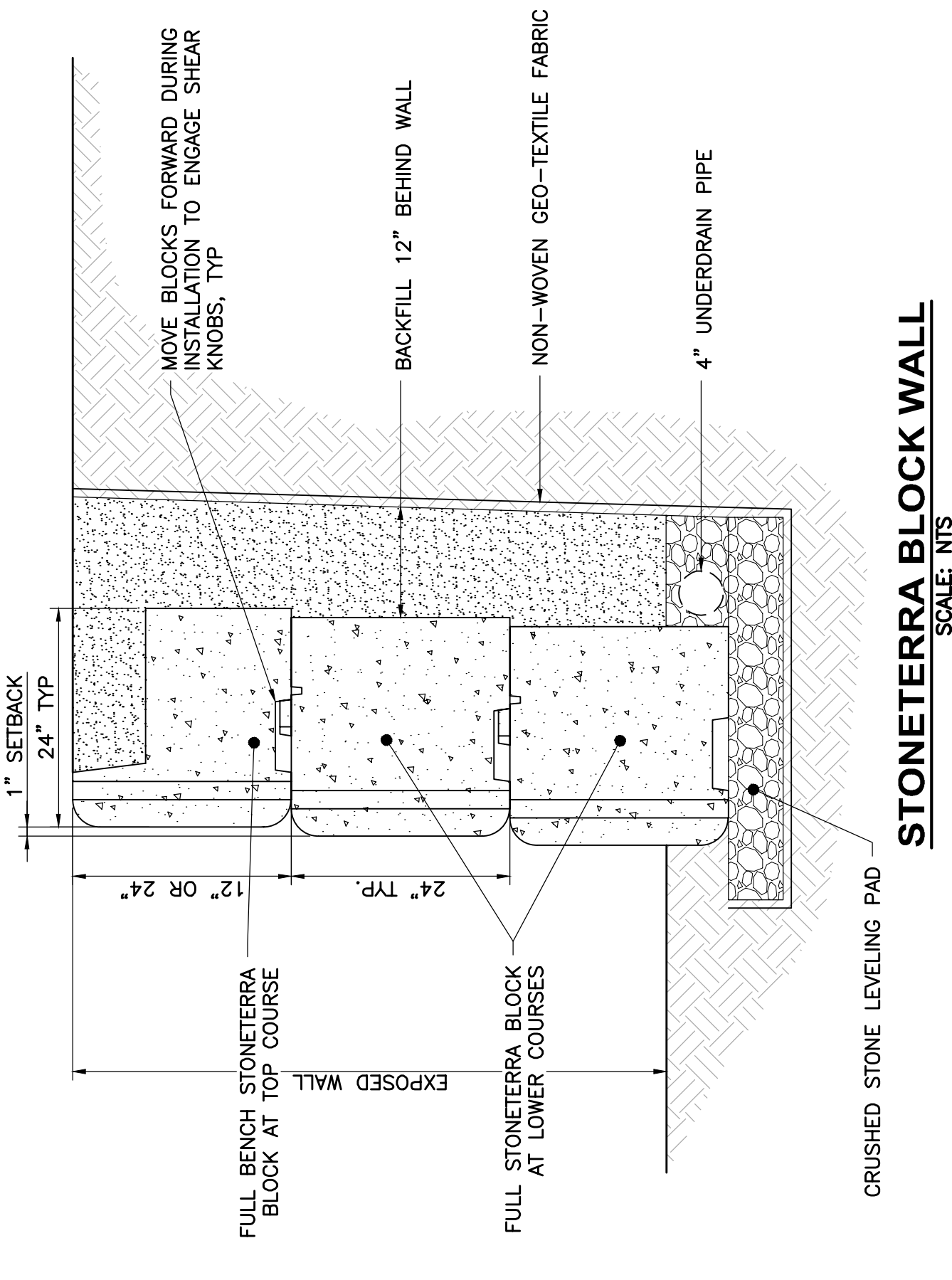
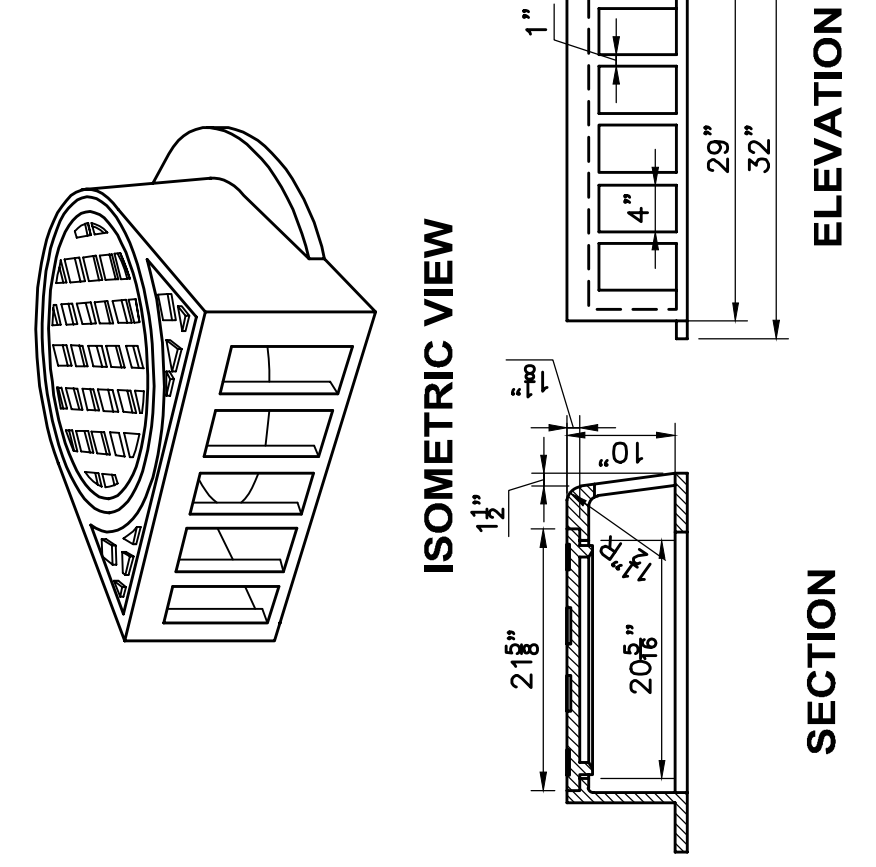
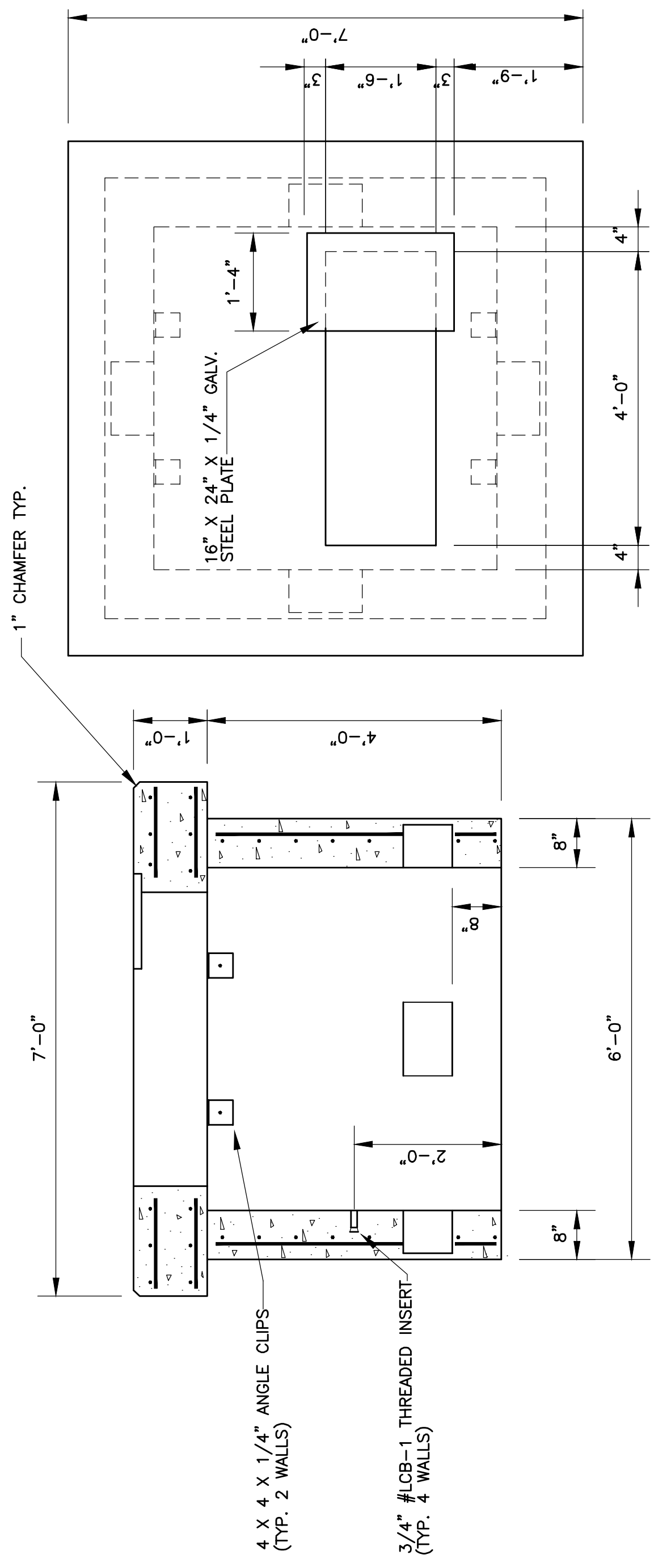


PRELIMINARY FOR REVIEW ONLY



UNDERDRAIN SOIL FILTER TABLE

(A) SOIL FILTER REFERENCE	(B) ELEVATION OF SOIL FILTER	(C) OVERFLOW STRUCTURE (OS)	(D) ELEVATION OF FILTER STRUCTURE	(E) UNDERDRAIN INVERT ELEVATION	MIN SURFACE AREA AT SOIL FILTER ELEVATION (SF)
USF A	76.00	YES	77.00	73.83	580
USF B	70.25	YES	72.00	68.08	715

TABLE III SEED MIXTURE

SEED MIXTURE	20 LBS/ACRE (0.5 LBS/1,000 S.F.)	20 LBS/ACRE (0.5 LBS/1,000 S.F.)	8 LBS/ACRE (0.2 LBS/1,000 S.F.)
CREeping RED FESCUE	20	20	8
TALL FESCUE	100	100	100
BIRDSFOOT TREFOLI	4	50	100
200 CLAY SIZE <2.0	50	20	15-80
MOOT 703.22 TYPE B UNDERDRAIN BACKFILL	200	0-15	0-5.0

TABLE I SPECIFICATIONS FOR LOAMY COARSE SAND

SEIVE #	% PASSING BY WEIGHT
10	85-100
20	70-100
60	15-40
200	8-15

