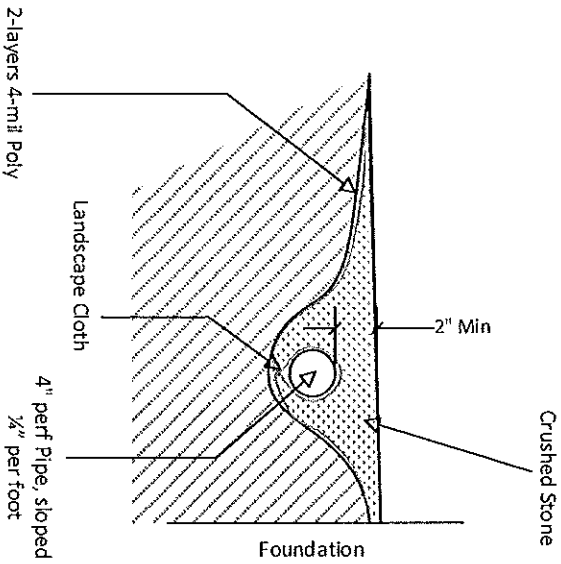
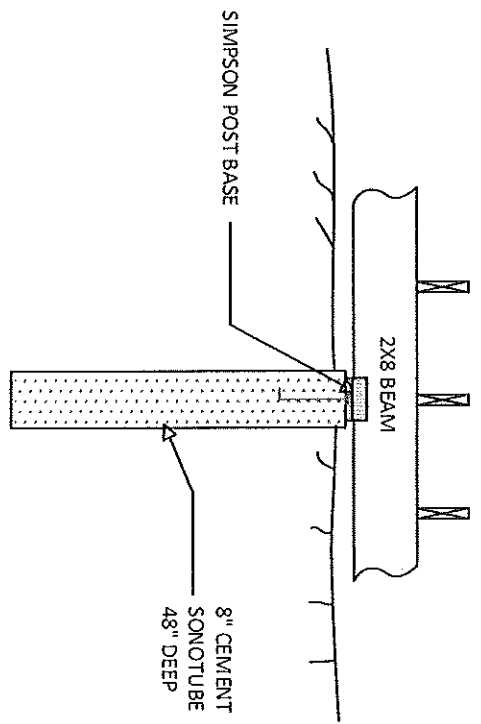


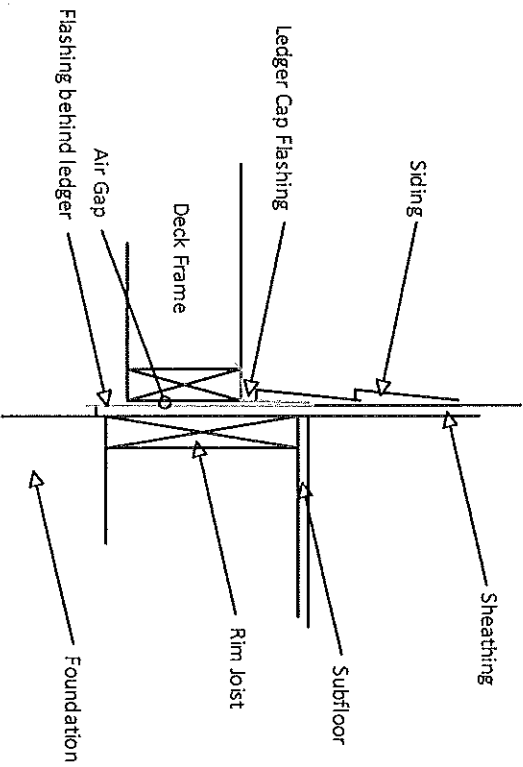
STEP CROSS SECTION



SURFACE DRAIN DETAIL



FOOTING/POST DETAIL



LEDGER DETAIL