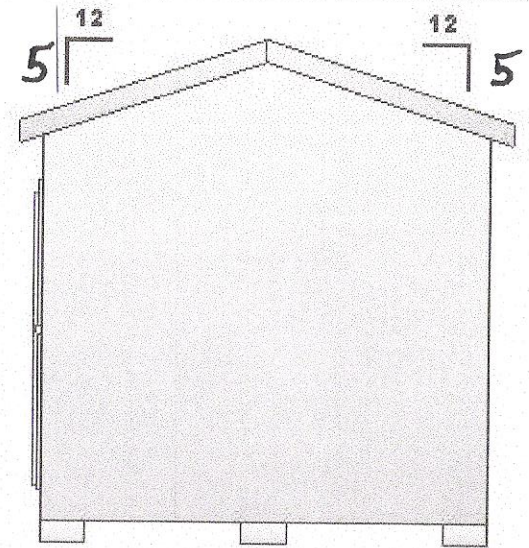
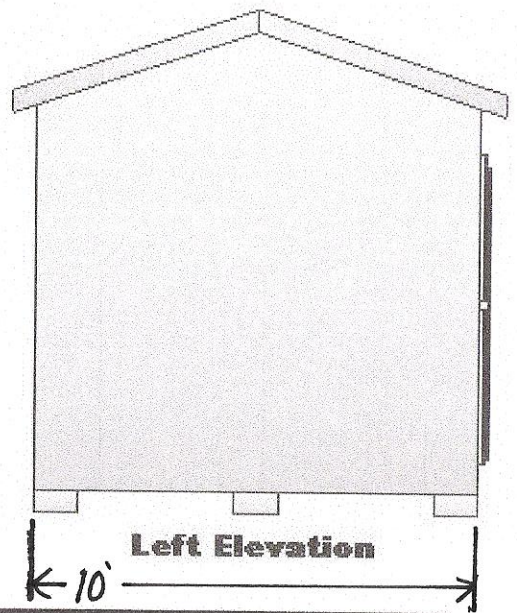


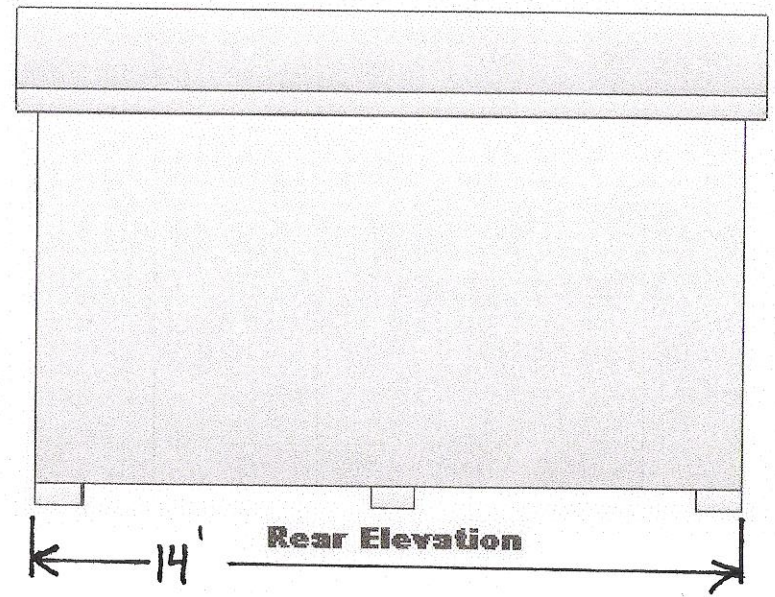
**Front Elevation**



**Right Elevation**



**Left Elevation**



**Rear Elevation**

**Elevations**

	<b>ALTERNATIVE HOUSING SOLUTIONS</b>	
	10'x16' Utility Storage Building	
	Page 2 of 5	Date: 03/27/09
	DESIGNER: Terry L. Cardwell	

Copy Righted Material  
**DO NOT COPY**

[www.EasyCabinDesigns.com](http://www.EasyCabinDesigns.com)