

Job Name:	
System Reference:	Date:



SLZ-KA09NA

### GENERAL FEATURES

- Four-way 2'x2' ceiling-cassette indoor unit for ceiling recessed applications
- Built-in drain mechanism for condensate removal; lifts to 19-11/16"
- Wide air-flow pattern for better air distribution
- Design features ventilation air intake knockout
- Long-life air filter included with indoor unit
- Indoor unit powered from outdoor unit using A-Control
- Choice of fan speed: Low, Medium, High
- Automatic restart following a power outage
- Limited warranty: five years parts and seven years compressors

### ACCESSORIES

#### Indoor Unit

- Grille (SLP-15AAUW; required - shipped with unit)

#### Controller Options

- Wireless Controller (MHK1)
- Wired Remote Controller (PAR-32MAA-J)
- Wireless Interface for kumo cloud™ (PAC-WHS01WF-E)
- Thermostat Interface (PAC-US444CN-1)
- Hand-held Wireless Remote Controller (PAR-FL32MA; req.PAR-FA32MA-E)
- Wireless Signal Receiver Module PAR-FA32MA (for PAR-FL32MA-E)

### SPECIFICATIONS

**Cooling Capacity\*** ..... 8,400 Btu/h  
**Heating Capacity at 47°F\*** ..... 10,900 Btu/h

#### \* Rating Conditions per AHRI Standard

Cooling | Indoor: 80° F (27° C) DB / 67° F (19° C) WB  
 Cooling | Outdoor: 95° F (35° C) DB / 75° F (24° C) WB  
 Heating at 47° F | Indoor: 70° F (21° C) DB / 60° F (16° C) WB  
 Heating at 47° F | Outdoor: 47° F (8° C) DB / 43° F (6° C) WB

(For data on specific indoor units [all ducted, all non-ducted, and both ducted and non-ducted] combinations, see the MXZ Technical and Service Manual.)

Applications should be restricted to comfort cooling only; equipment cooling applications are not recommended for low ambient temperature conditions.

#### Electrical Requirements

Power Supply ..... 208 / 230V, 1-Phase, 60 Hz  
 MCA ..... 1 A

#### Voltage

Indoor - Outdoor S1-S2 ..... AC 208 / 230V  
 Indoor - Outdoor S2-S3 ..... DC ±24V  
 Fan Motor (ECM) ..... 0.23 F.L.A.

Airflow (Lo - Med - Hi) ..... 280 - 320 - 350 Dry CFM  
 250 - 290 - 320 Wet CFM

Air Filter ..... Polypropylene Honeycomb

Sound Pressure Level (Lo - Med - Hi) ..... .29 - 32 - 38 dB(A)

DIMENSIONS	UNIT INCHES / MM	GRILLE INCHES / MM
W	22-7/16 / 570	25-5/8 / 650
D	22-7/16 / 570	25-5/8 / 650
H	9-1/4 / 235	13/16 / 20

Weight (Unit/Grille)  
 Lbs..... 36 / 7  
 kg..... 16.5 / 3

External Finish (Unit/Grille) ..... Galvanized-steel Sheets /  
 Munsell 6.4Y 8.9 / 0.4

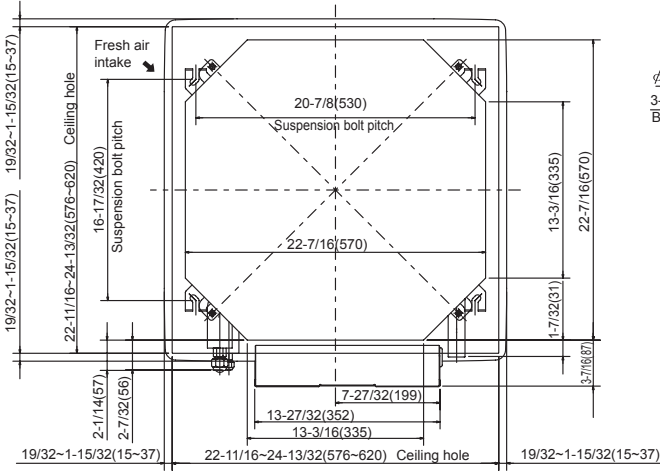
Field Drainpipe Size O.D..... 1-1/4" / 32 mm

Refrigerant Type ..... R410A  
 Refrigerant Pipe Size O.D.

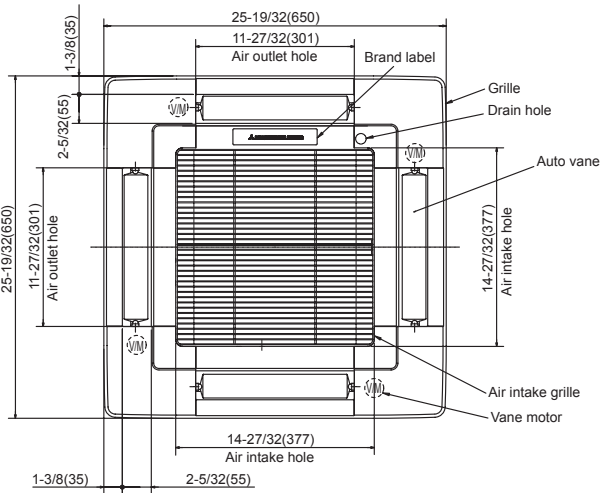
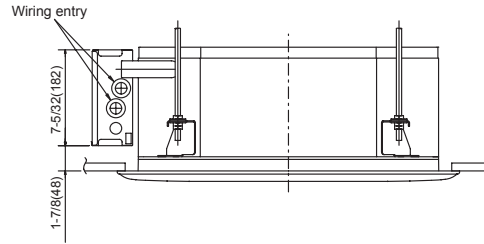
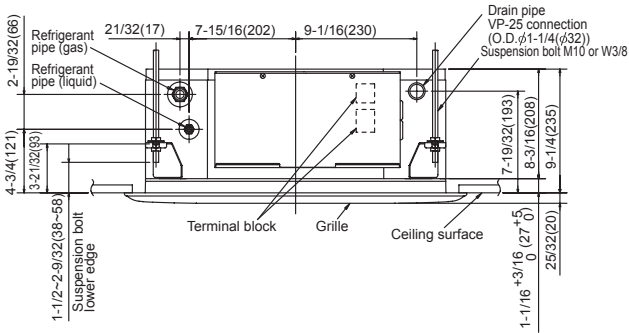
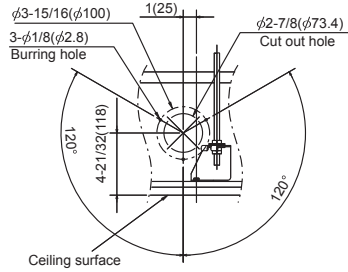
Gas Side ..... 3/8" / 9.52 mm  
 Liquid Side ..... 1/4" / 6.35 mm  
 Connection Method ..... Flared

# DIMENSIONS: SLZ-KA09NA

Unit : inch (mm)



### Detail drawing of fresh air intake



Models	Refrigerant pipe (liquid)	Refrigerant pipe (gas)
SLZ-KA09NA	1/4 inch (φ 6.35mm) flared connection	3/8 inch (φ 9.52mm) flared connection
SLZ-KA12NA	1/4 inch (φ 6.35mm) flared connection	3/8 inch (φ 9.52mm) flared connection
SLZ-KA15NA	1/4 inch (φ 6.35mm) flared connection	1/2 inch (φ 12.7mm) flared connection



COOLING & HEATING

1340 Satellite Boulevard, Suwanee, GA 30024  
Toll Free: 800-433-4822 www.mehvac.com

