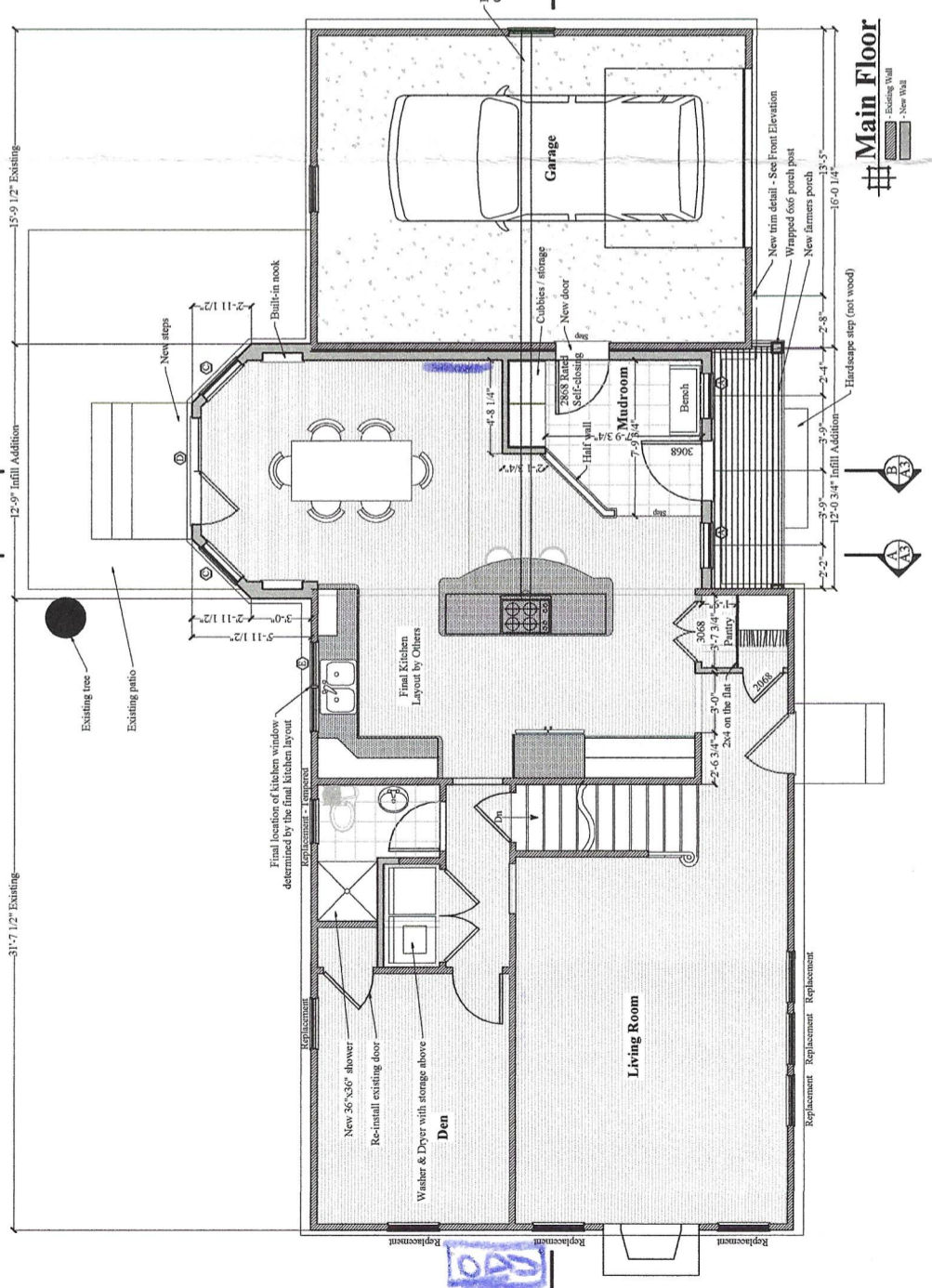
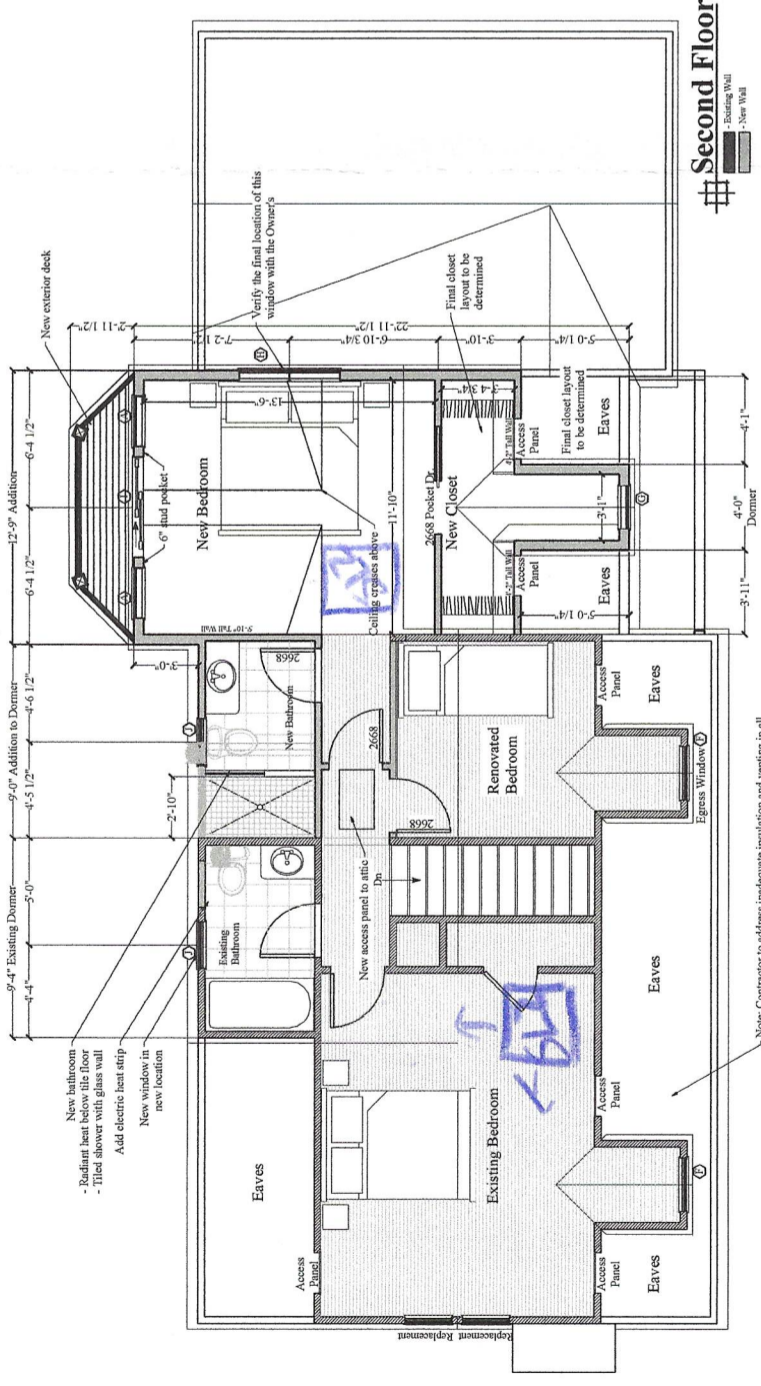
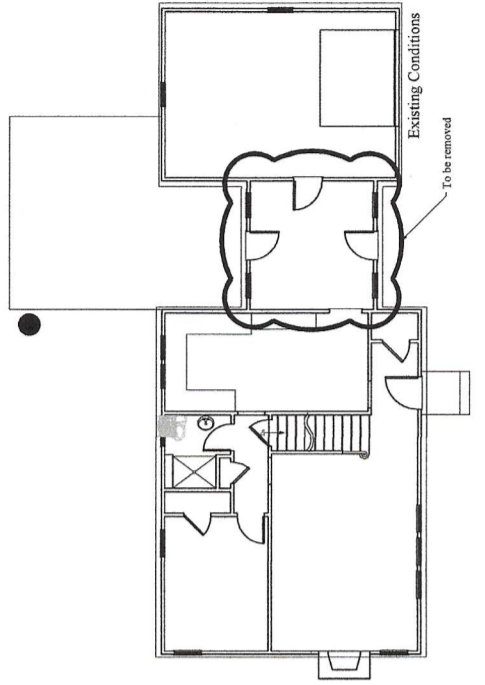
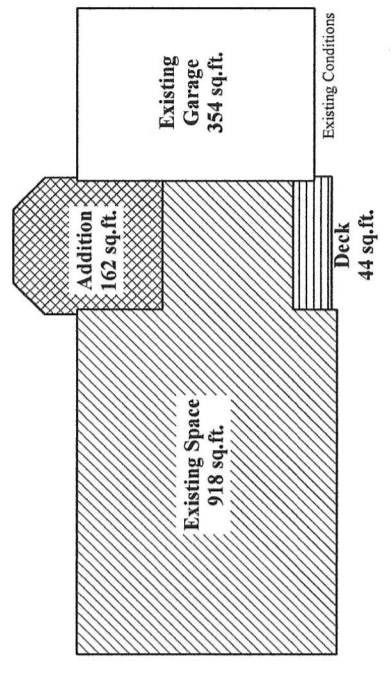
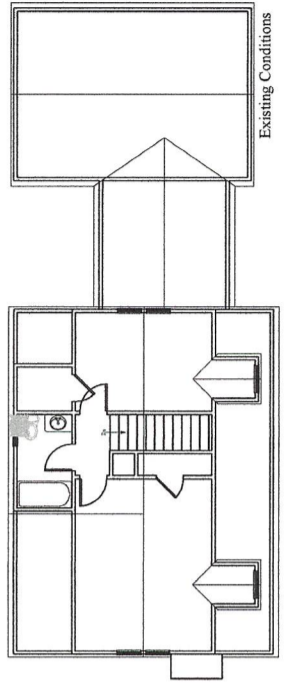
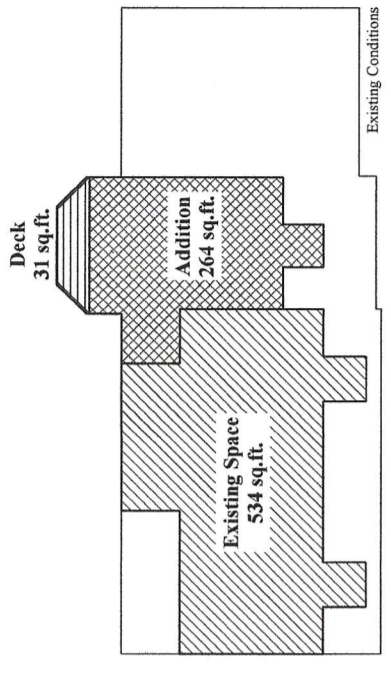




DATE: Feb 27, 2017
A1

PROJECT: Addition & Renovations to the Klein Residence
DRAWING TITLE: Floorplans & Area Diagrams
OWNER APPROVAL:
 SCALE: As noted
 JOB NUMBER: 9277-16
 DRAWN BY: MER
 CLIENT REVIEW FOR PERMITS: []
 CLIENT REVIEW AND COST ESTIMATE: []
 DESIGN: []
 PRELIMINARY DESIGN: []
 CONTRACT DOCUMENTS: []
 W.W. CUSTOMER CONCEPTS, INC.
 383 U.S. ROUTE 1, SUITE 1A - SCARBOROUGH, MAINE 04074
 Phone: (207) 883-0083

NO.	DATE	DESCRIPTION



22'