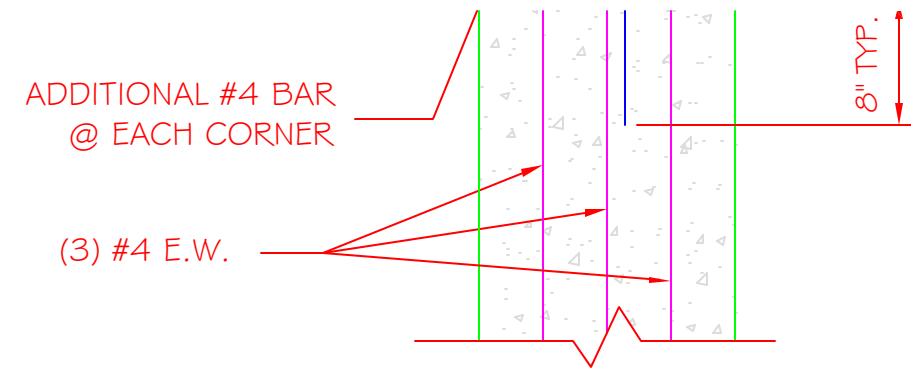
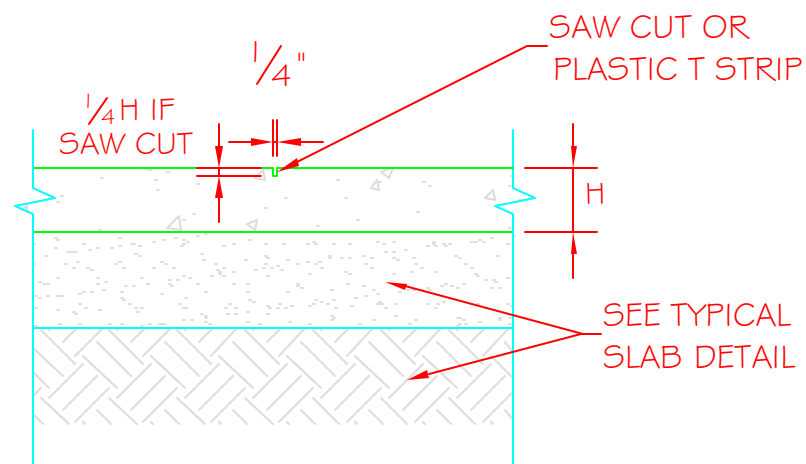


1 TYPICAL SLAB DETAIL

SCALE: 1" = 1'-0"

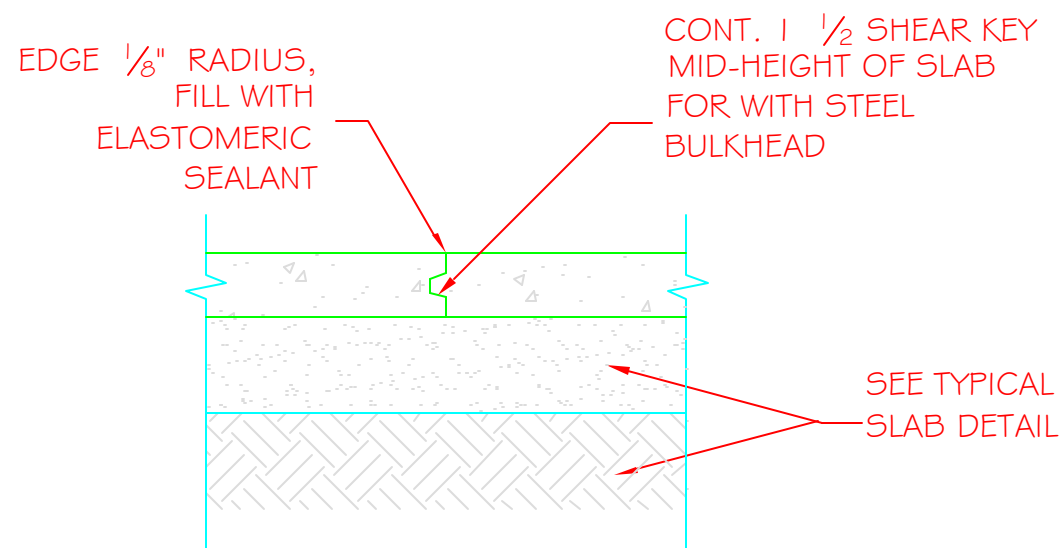


4 CORNER REINFORCING IN FOOTING

SCALE: 1" = 1'-0"

2 TYPICAL SLAB CONTROL JOINT DETAIL

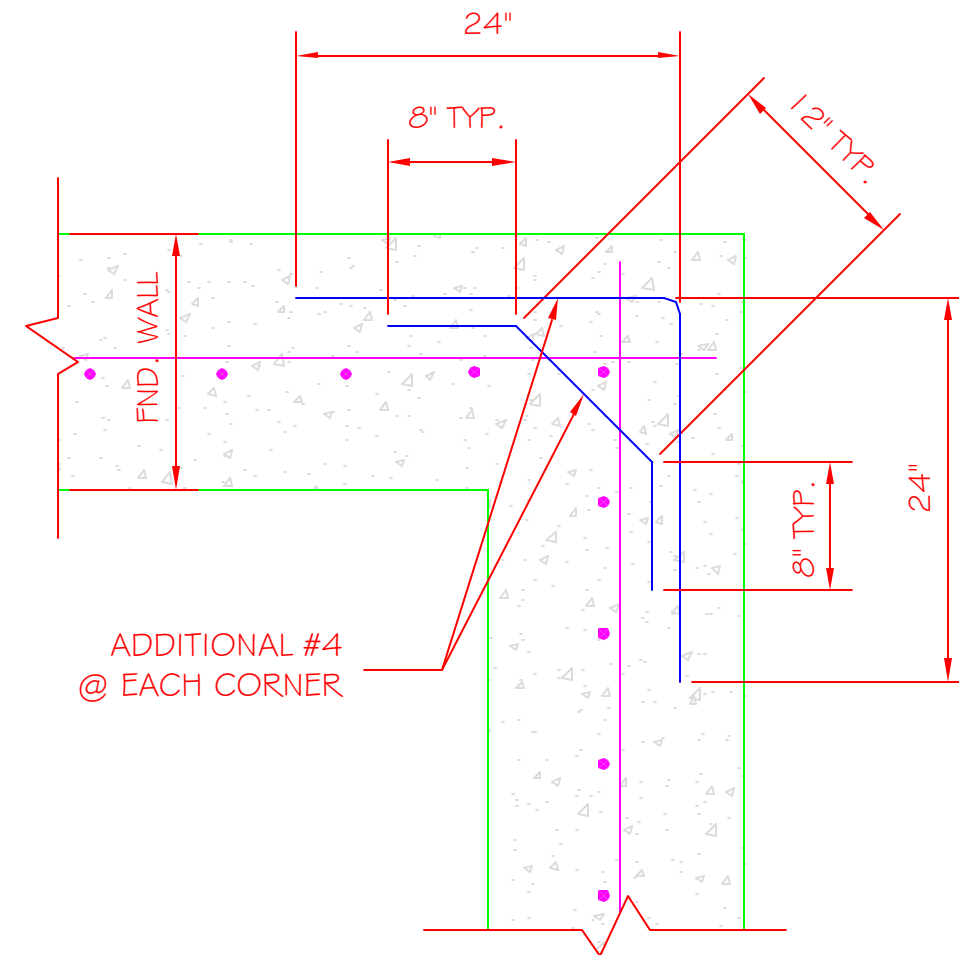
SCALE: 1" = 1'-0"



NOTE: USE AT END OF DAYS PLACEMENT

3 TYPICAL SLAB CONSTRUCTION JOINT DETAIL

SCALE: 1" = 1'-0"



5 CORNER REINFORCING IN FOUNDATION WALL

SCALE: 1" = 1'-0"