

➤ CAB-4 Series Cabinets

ONYX® Series Backboxes with Locking Doors

 **NOTIFIER®**
by Honeywell

Peripheral Devices

General

All cabinets for NOTIFIER fire alarm control panels are fabricated from 16-gauge steel. The cabinet assembly consists of two basic parts: a backbox and a locking door. Cabinets are available in either black or red, with or without LEXAN® windows. The LEXAN model provides a tasteful combination to accent the decor of the finest lobby setting.

- The **key-locked door** is provided with a pin-type hinge, two keys and the necessary hardware to mount the door to the backbox.
- The **backbox** has been engineered to provide ease-of-entry for the installer. **Knockouts** are positioned at numerous points to aid the installer in bringing a conduit into the enclosure with a minimum of hardship.
- **Right- or left-hand hinges**, selectable in the field. Door opens 180°.
- Cabinets are arranged in **four standard sizes**, A (one tier) through D (four tiers), plus a **mini cabinet** (AA, one tier without a battery compartment). See *Ordering Information*.
- A **trim ring option** is available for semi-flush mounting.
- **Chassis bridge** available for assembling multiple CHS-4 chassis external to the backbox.

Ordering Information

A complete cabinet assembly consists of: a door, a backbox, an optional battery plate, and an optional semi-flush trim ring. For each cabinet required, order one "DR" door and one "SBB" backbox. The BP-4 or BP2-4 battery plate is required for each cabinet assembly that mounts batteries and/or a power supply in the lower position of the cabinet. The optional trim ring is an attractive "picture frame"-style black metal ring.

MINI "AA" SIZE, ONE TIER:

DR-AA4: Door assembly, LEXAN window, one tier (no battery compartment), BLACK.

DR-AA4R: Door assembly, LEXAN window, one tier (no battery compartment), RED.

DR-AA4B: Door assembly, solid door, one tier (no battery compartment), BLACK.

DR-AA4BR: Door assembly, solid door, one tier (no battery compartment), RED.

SBB-AA4: Backbox assembly, one tier (no battery compartment), BLACK.

SBB-AA4R: Backbox assembly, one tier (no battery compartment), RED.

TR-AA4: Accessory semi-flush-mount trim ring, one tier (no battery compartment).

NOTE: Black trim rings are used with red or black cabinets.

ONE TIER, "A" SIZE:

DR-A4: Door assembly, LEXAN window, one tier, BLACK.

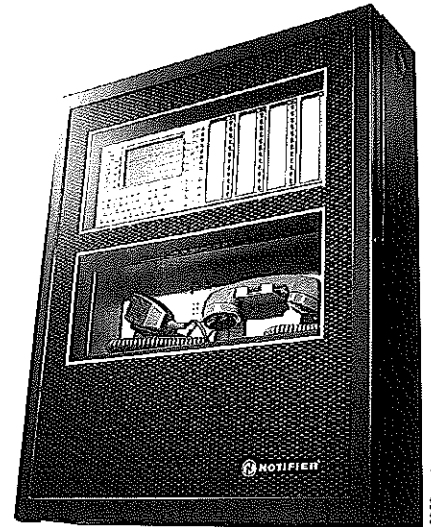
DR-A4R: Door assembly, LEXAN window, one tier, RED.

DR-A4B: Door assembly, solid door, one tier, BLACK.

DR-A4BR: Door assembly, solid door, one tier, RED.

SBB-A4: Backbox assembly, one tier, BLACK.

SBB-A4R: Backbox assembly, one tier, RED.



NFS-640 in "B" sized
CAB-4 cabinet

TR-A4: Accessory semi-flush-mount trim ring, one tier (opening 24.062" [61.118 cm] W x 20.062" [50.958 cm] H), BLACK.

NOTE: Black trim rings are used with red or black cabinets.

BP-4: Battery panel for NFS-640 and NFS-3030. Used to cover battery and power supply when lower position is used in backbox.

BP2-4: Battery panel for NFS2-3030. Used to cover battery and power supply when lower position is used in backbox.

TWO TIERS, "B" SIZE:

DR-B4: Door assembly, LEXAN window, two tiers, BLACK.

DR-B4R: Door assembly, LEXAN window, two tiers, RED.

DR-B4B: Door assembly, solid door, two tiers, BLACK.

DR-B4BR: Door assembly, solid door, two tiers, RED.

SBB-B4: Backbox assembly, two tiers, BLACK.

SBB-B4R: Backbox assembly, two tiers, RED.

TR-B4: Accessory semi-flush-mount trim ring, two tiers (opening 24.062" [61.118 cm] W x 28.562" [72.548 cm] H), BLACK.

NOTE: Black trim rings are used with red or black cabinets.

BP-4: Battery panel for NFS-640 and NFS-3030. Used to cover battery and power supply when lower position is used in backbox.

BP2-4: Battery panel for NFS2-3030. Used to cover battery and power supply when lower position is used in backbox.

THREE TIERS, "C" SIZE:

DR-C4: Door assembly, LEXAN window, three tiers, BLACK.

DR-C4R: Door assembly, LEXAN window, three tiers, RED.

DR-C4B: Door assembly, solid door, three tiers, BLACK.

DR-C4BR: Door assembly, solid door, three tiers, RED.

SBB-C4: Backbox assembly, three tiers, BLACK.

SBB-C4R: Backbox assembly, three tiers, RED.

TR-C4: Accessory semi-flush-mount trim ring, three tiers (opening 24.062" [61.118 cm] W x 37.187" [94.455 cm] H), BLACK.

NOTE: Black trim rings are used with red or black cabinets.

BP-4: Battery panel for NFS-640 and NFS-3030. Used to cover battery and power supply when lower position is used in backbox.

BP2-4: Battery panel for NFS2-3030. Used to cover battery and power supply when lower position is used in backbox.

FOUR TIERS, "D" SIZE:

DR-D4: Door assembly, LEXAN window, four tiers, BLACK.

DR-D4R: Door assembly, LEXAN window, four tiers, RED.

DR-D4B: Door assembly, solid door, four tiers, BLACK.

DR-D4BR: Door assembly, solid door, four tiers, RED.

SBB-D4: Backbox assembly, four tiers, BLACK.

SBB-D4R: Backbox assembly, four tiers, RED.

TR-D4: Accessory semi-flush-mount trim ring, four tiers (opening 24.062" [61.118 cm] W x 45.812" [116.363 cm] H), BLACK.

Note: Black trim rings are used with red or black cabinets.

BP-4: Battery panel for NFS-640 and NFS-3030. Used to cover battery and power supply when lower position is used in backbox.

BP2-4: Battery panel for NFS2-3030. Used to cover battery and power supply when lower position is used in backbox.

ACCESSORIES:

WC-2: Wire channel. Provides a pair of wire trays to neatly route wiring between CHS chassis.

CB-1: Chassis bridge. Provides a bridge between CHS Series chassis.

DP-1B: Blank dress panel, covers one CAB-4 tier, BLACK.

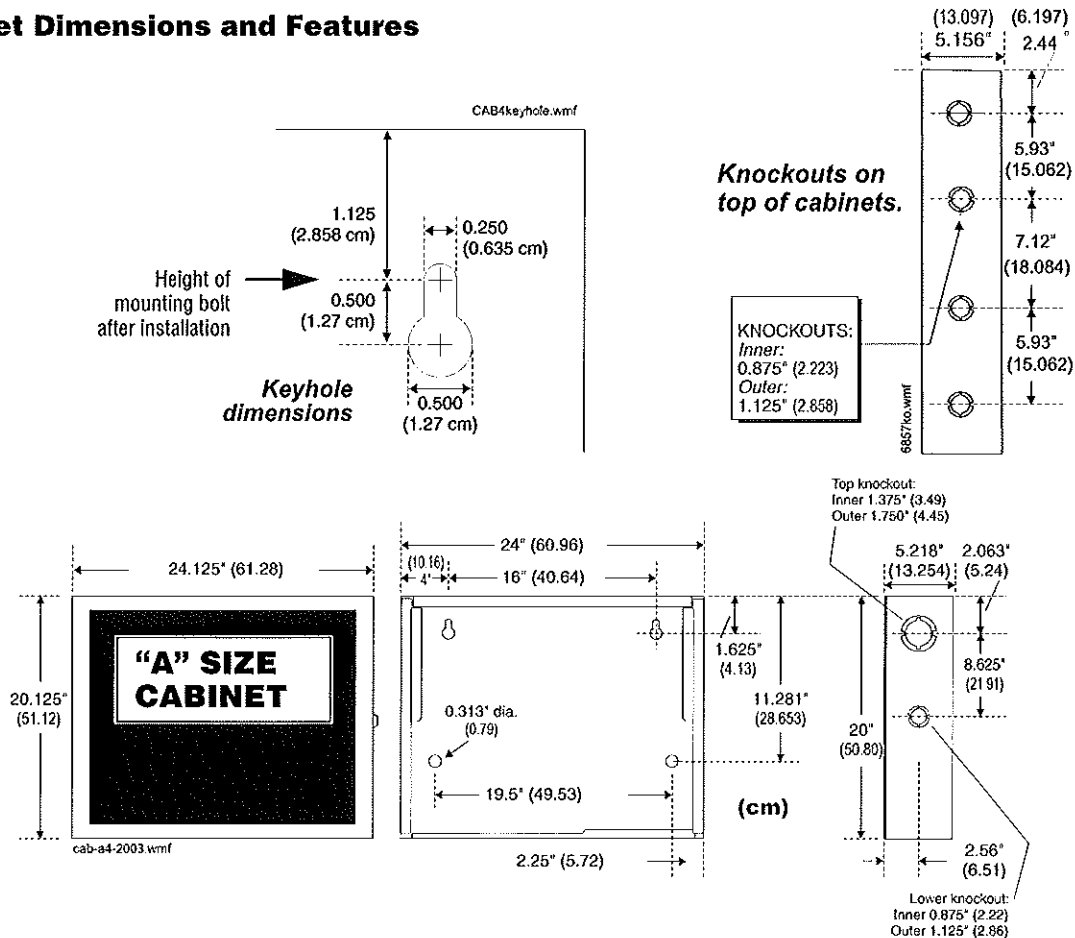
ADP-4B: Annunciator dress panel.

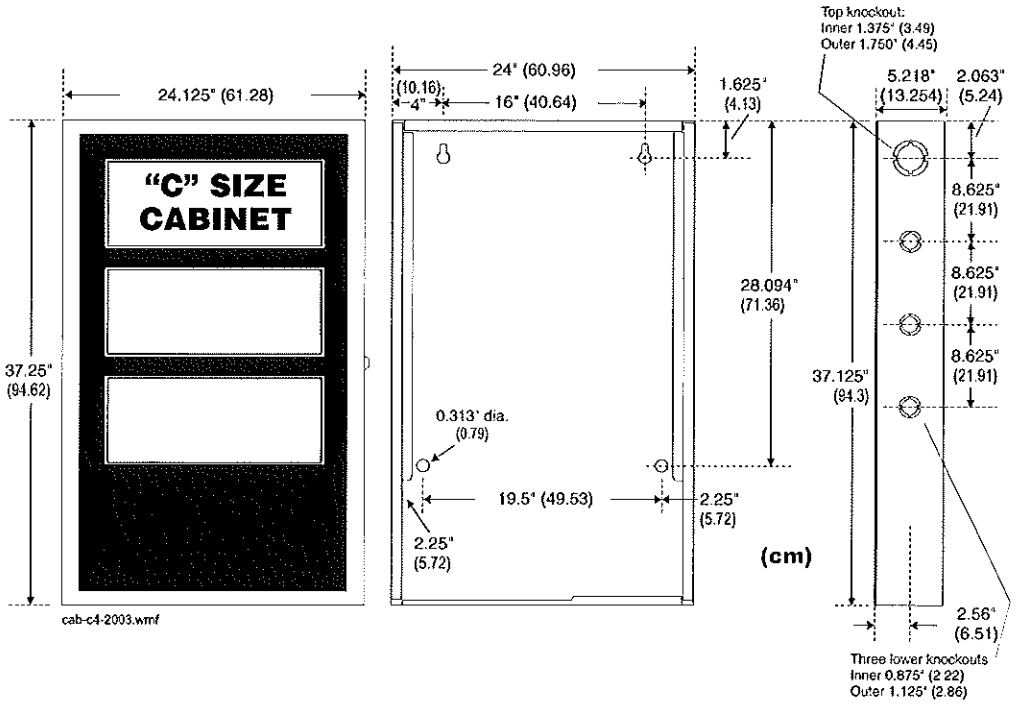
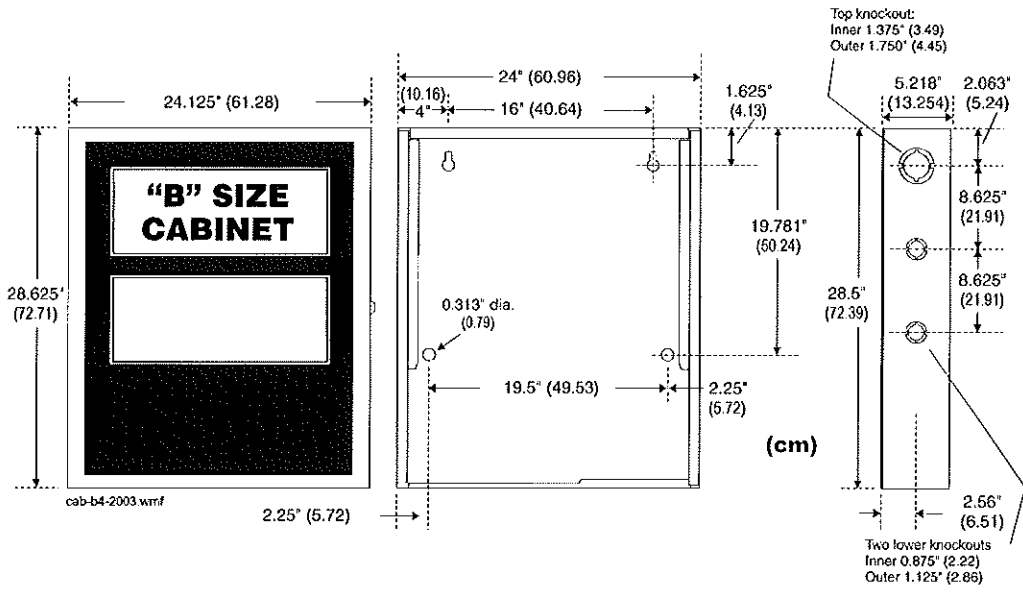
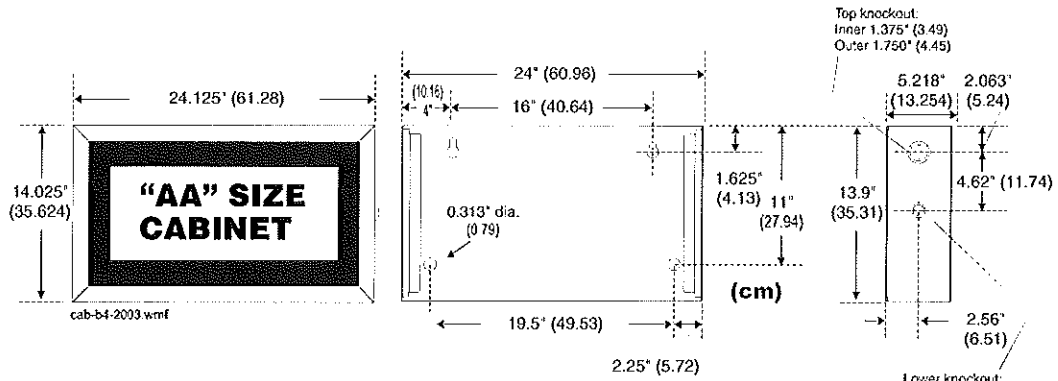
Agency Listings and Approvals

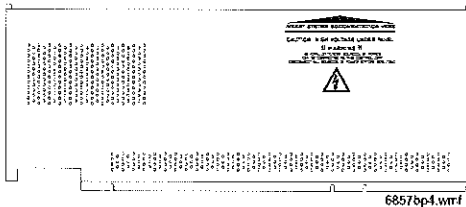
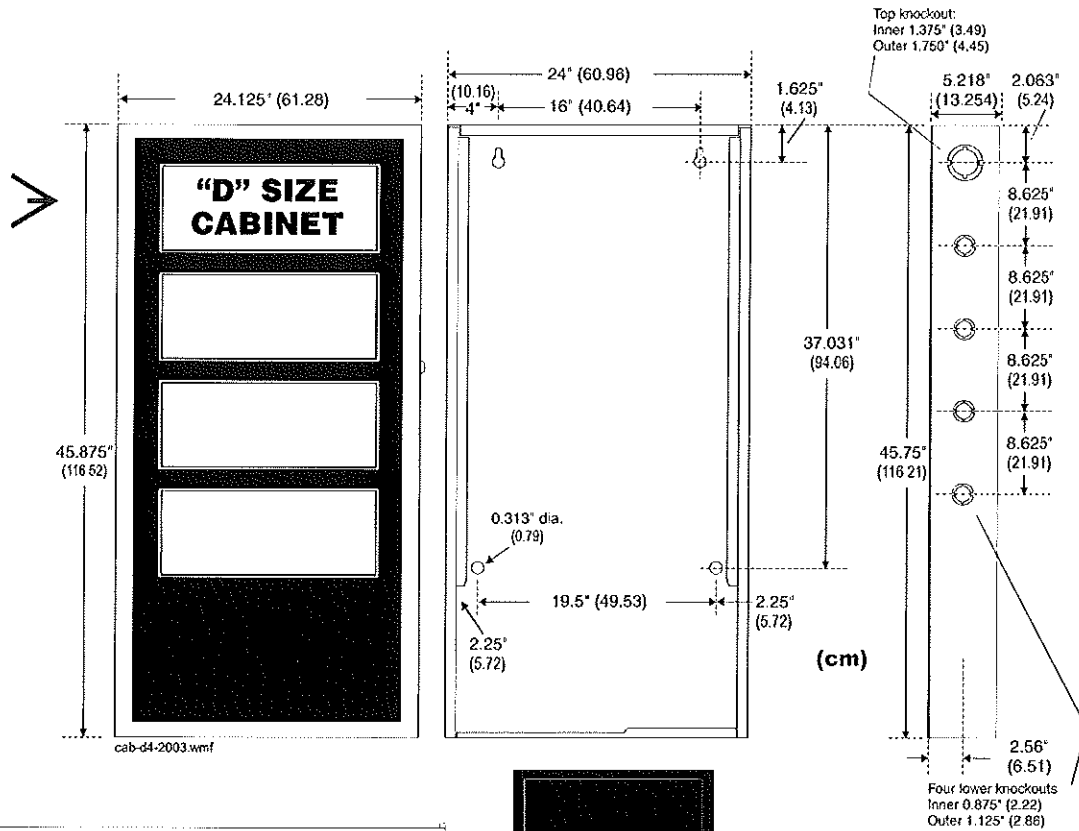
These listings and approvals below apply to the CAB-4 Series Cabinets. In some cases, certain modules or applications may not be listed by certain approval agencies, or listing may be in process. Consult factory for latest listing status.

- UL Listed: file S635 (except AA size).
- ULC Listed: file CS118 (except AA size).
- MEA approved: files 317-01-E, 345-02-E (except AA size).
- CSFM approved (except AA size): files 7165-0028:214 (NFS-640), 7170-0028:216 (NFS-640), 7165-0028:224 (NFS-3030), 7170-0028:223 (NFS-3030).
- FM approved (except AA size).
- U.S. Coast Guard approved: 161.002/42/1 (NFS-640).

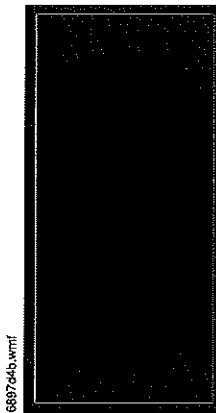
Cabinet Dimensions and Features







The BP-4 Battery Dress Panel covers the Main Power Supply and the batteries in the cabinet. Only one BP-4 or BP2-4 is required per cabinet unless an AA cabinet is used (no battery compartment).



"D" sized cabinet with solid door. Solid door option available on all sizes in black or red.

ONYX® and NOTIFIER® are registered trademarks of Honeywell International Inc. LEXAN® is a registered trademark of GE Plastics, a subsidiary of General Electric Company.
©2006 by Honeywell International Inc. All rights reserved. Unauthorized use of this document is strictly prohibited.

ISO 9001
CERTIFIED
ENGINEERING & MANUFACTURING
QUALITY SYSTEMS

This document is not intended to be used for installation purposes.
We try to keep our product information up-to-date and accurate.
We cannot cover all specific applications or anticipate all requirements.
All specifications are subject to change without notice.

