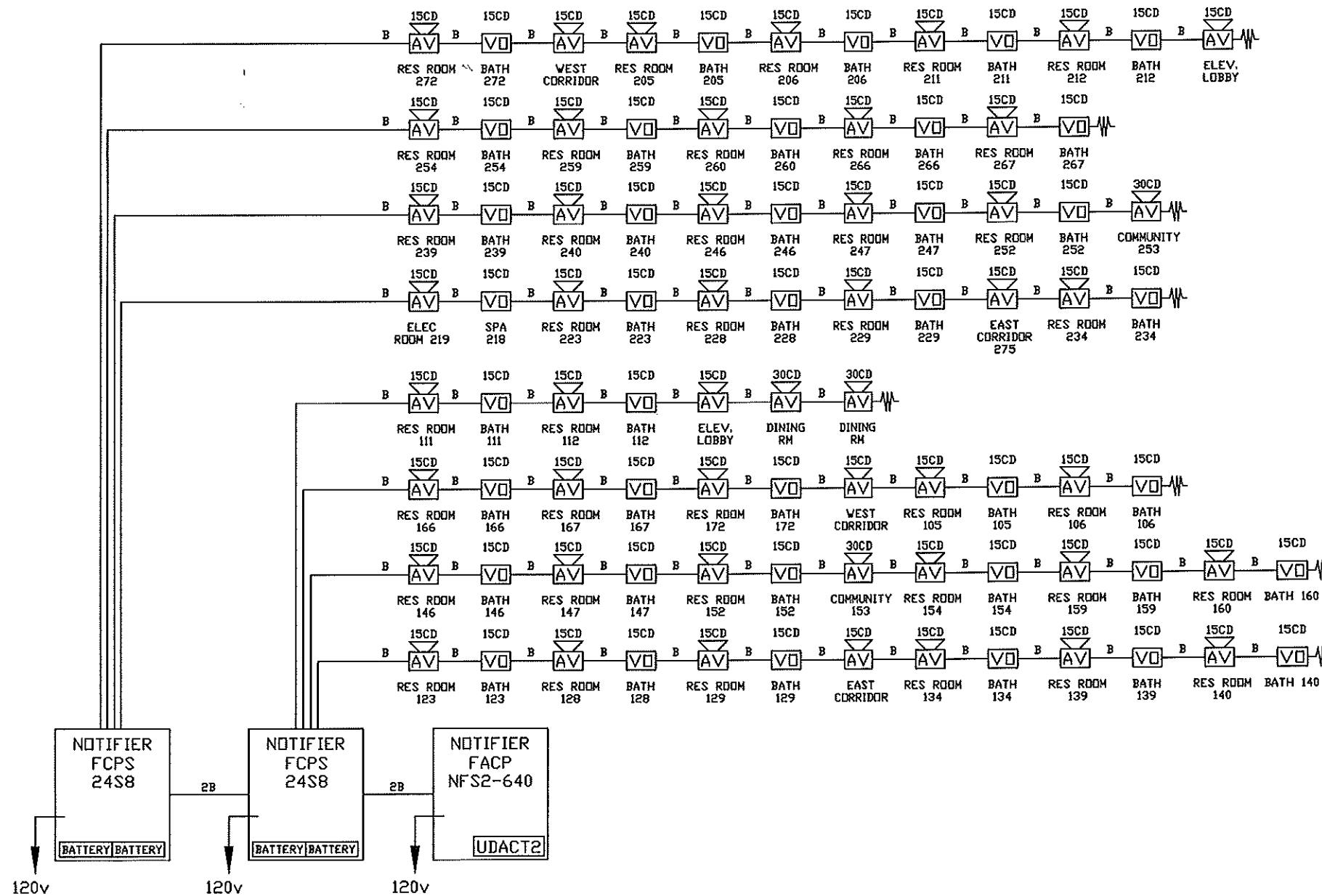


Important! Wiring connections must have correct polarity.



LEGEND

- MOUNTING HEIGHT
- 48 INCHES
 - PS PULL STATION
 - S SMOKE DETECTOR
 - R HEAT DETECTOR RATE OF RISE
 - F HEAT DETECTOR FIXED TEMP
 - RT REMOTE TEST/INDICATOR
 - DS^s DUCT SMOKE DETECTOR W/ FSP-851R HEAD
- 80 INCHES
 - VO VISUAL ONLY
 - AV AUDIO / VISUAL
- 80 INCHES
 - DSM DUAL SYNC MODULE
 - ISL ISOLATION MODULE
 - FMM MONITOR MODULE
 - FRM RELAY MODULE
 - STS SPRINKLER TAMPER
 - SFS SPRINKLER FLOW
 - DH DOOR HOLDER


This drawing is an accurate layout from provided floor plans and information available at time of design. Circuiting has been designed for maximum use of resources available with supplied equipment. Deviations from this design must be noted and approved prior to final acceptance. Note: Signal Circuit 1 has a 2.5 amp load limitation, Circuits 2-3-4 have a combined load limitation of 2.5 amps. REMOTE power supply has a 3.0 amps limitation per circuit and an 8.0 amp combined limitation for all 4 circuits. Changes in circuiting must incorporate equipment specifications/limitations (see chart below for current vs. candela rating. Distances and ratings shown are for wall applications ONLY, call Norris, Inc. for ceiling devices when applicable.) Twisted-Shielded Cable is NOT recommended for use on SLC wiring for this panel. Untwisted cable inside/outside conduit has a 1000' max distance sizes 12-18AWG.

Room Size	Candela Rating	Load (amps)
20' x 20'	15 cd	0.08 amps
28' x 28'	30 cd	0.10 amps
45' x 45'	75 cd	0.15 amps
54' x 54'	110 cd	0.20 amps

- 4.7k END OF LINE RESISTOR (Panel Circuits)
- A 1 PR #12 AWG TWISTED PAIR CABLE (Up to 10,000 ft)
 - A 1 PR #14 AWG TWISTED PAIR CABLE (Up to 8,000 ft)
 - A 1 PR #16 AWG TWISTED PAIR CABLE (Up to 4,500 ft)
 - B 1 PR #12 AWG FPL CABLE
 - D 1 PR #14 AWG FPL CABLE
 - E 1 PR #16 AWG FPL CABLE
 - F 2c #12 AWG CABLE
 - G 2c #14 AWG CABLE
 - H 2c #16 AWG CABLE
 - K 1 CAT5 CABLE
 - L 1 PR #16 AWG TWISTED SHIELDED CABLE

REVISION 2	DATE:
REVISION 1	DATE:
REVISION 0 SUBMITTAL	DATE: 1/6/2013

SYSTEM WIRING RISER

PROJECT NAME Seaside Rehab (N.A.C.) PORTLAND, MAINE	SCALE NTS BY: CJC CK BY:
 Prepared For Tomorrow, Delivered Today 2257 BROADWAY, So PORTLAND, MAINE	
SAVED AS:	

Important! Duplicate Addresses on devices of different style is NOT an error in design or printing. All electronic devices MUST be placed in a heated room with temperature above 32 degrees