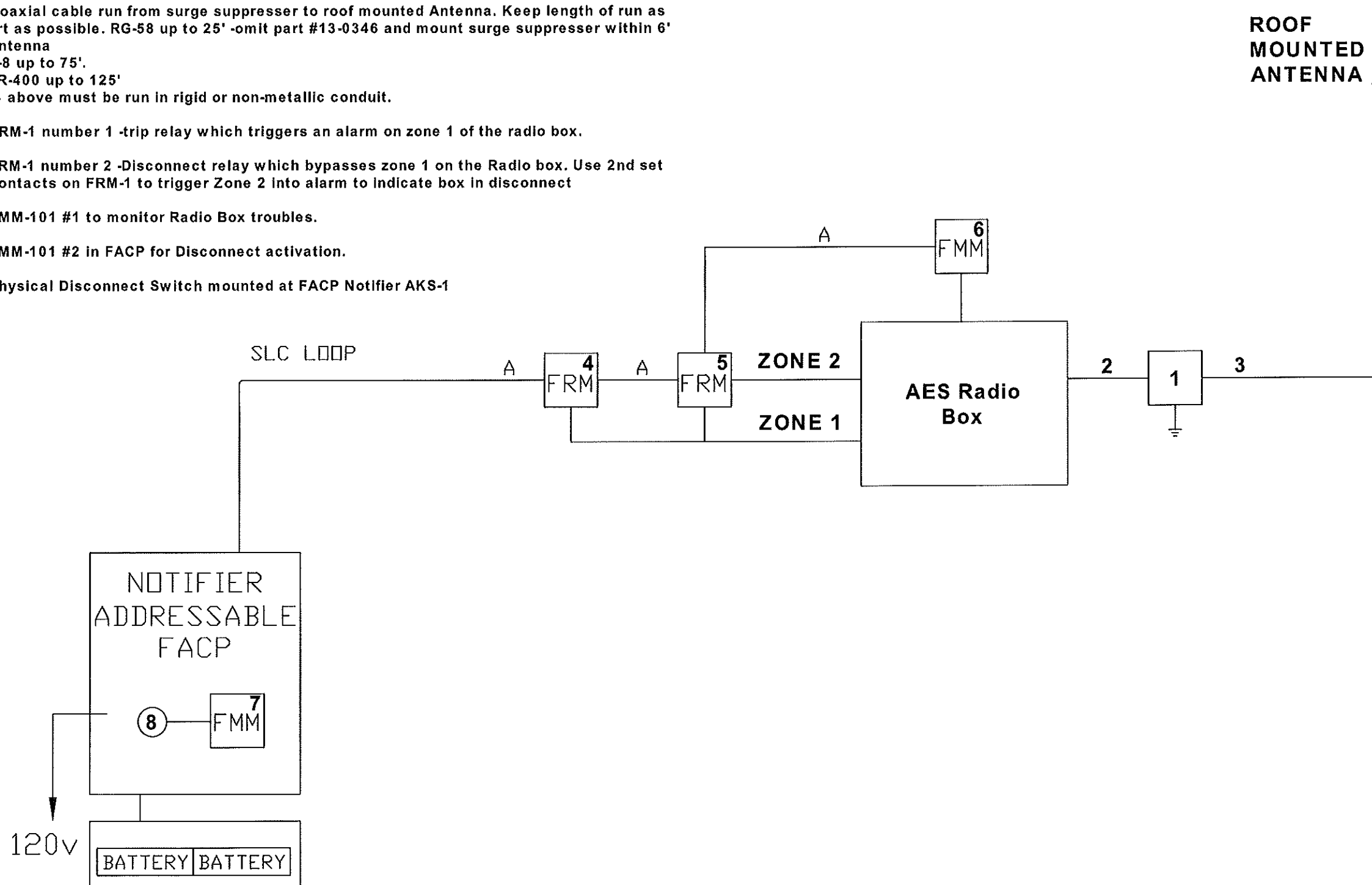


NOTES:

- 1) 4" Square deep grounded box for antenna line surge suppresser. Mount within 6' of the Radio Box enclosure.
- 2) AES part #13-0345-6 6' RG-8 cable assembly with N male connectors both ends to connect surge suppresser to the Radio Box enclosure. AES part #13-0346 18" RG-58 cable assembly to connect transceiver to enclosure.
- 3) Coaxial cable run from surge suppresser to roof mounted Antenna. Keep length of run as short as possible. RG-58 up to 25' -omit part #13-0346 and mount surge suppresser within 6' of antenna
 RG-8 up to 75'.
 LMR-400 up to 125'.
 2+3 above must be run in rigid or non-metallic conduit.
- 4) FRM-1 number 1 -trip relay which triggers an alarm on zone 1 of the radio box.
- 5) FRM-1 number 2 -Disconnect relay which bypasses zone 1 on the Radio box. Use 2nd set of contacts on FRM-1 to trigger Zone 2 into alarm to indicate box in disconnect
- 6) FMM-101 #1 to monitor Radio Box troubles.
- 7) FMM-101 #2 in FACP for Disconnect activation.
- 8) Physical Disconnect Switch mounted at FACP Notifier AKS-1

Important! Wiring connections must have correct polarity.



LEGEND

- FMM MONITOR MODULE
- FRM RELAY MODULE

This drawing is a typical device layout, wiring is shown diagrammatically only. This drawing has been provided as an example ONLY. Riser does not necessarily indicate all devices and appliances. See floor plans and specification for location and quantities. The purchaser must accurately layout the initiating and notification devices in their proper zones/circuit. Note: Signal Circuit 1 has a 2.5 amp load limitation, Circuits 2-3-4 have a combined load limitation of 2.5 amps. REMOTE power supply has a 3.0 amps limitation per circuit and an 8.0 amp combined limitation for all 4 circuits. (see chart below for current vs. candela rating)

Room Size	Candela Rating	Load (amps)
20' x 20'	15 cd	0.08 amps
28' x 28'	30 cd	0.10 amps
45' x 45'	75 cd	0.15 amps
54' x 54'	110 cd	0.20 amps

4.7k END OF LINE RESISTOR (Panel Circuits)	
A	1 PR #12 AWG TWISTED PAIR CABLE(Up to 10,000 ft)
A	1 PR #14 AWG TWISTED PAIR CABLE(Up to 8,000 ft)
A	1 PR #16 AWG TWISTED PAIR CABLE(Up to 4,500 ft)
B	1 PR #12 AWG FPL CABLE
D	1 PR #14 AWG FPL CABLE
E	1 PR #16 AWG FPL CABLE
F	2c #12 AWG CABLE
G	2c #14 AWG CABLE
H	2c #16 AWG CABLE
K	1 CAT5 CABLE
L	1 PR #16 AWG TWISTED SHIELDED CABLE

REVISION 2	DATE:
REVISION 1	DATE:
REVISION 0 SUBMITTAL	DATE: 1/06/13

SYSTEM WIRING RISER	
PROJECT NAME Seaside Rehab Masterbox Portland, MAINE	SCALE NTS BY: CJC CK BY:


NORRIS INC
Prepared For: Sensors, Delivered To: Job
 2257 BROADWAY, So PORTLAND, MAINE

Important! Duplicate Addresses on devices of different style is NOT an error in design or printing. All electronic devices MUST be placed in a heated room with temperature above 32 degrees