

GENERAL NOTES:



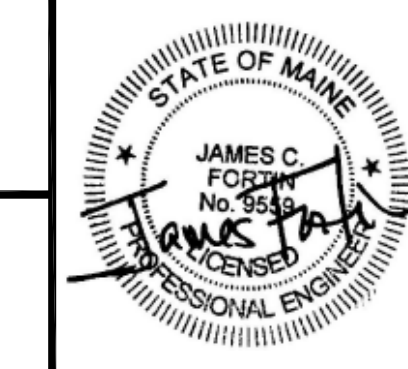
REVISIONS:



5 FUNDY ROAD Phone: 207-781-3344
 FALMOUTH, ME 04105 Fax: 207-699-5564
 Online @ foresidearchitects.com

Project Status:
 BID SET

Project Number:
 SR0712
 BSE WO# 2908



Seaside Rehabilitation
 and Health Care Center
 850 Baxter Blvd
 Portland, ME

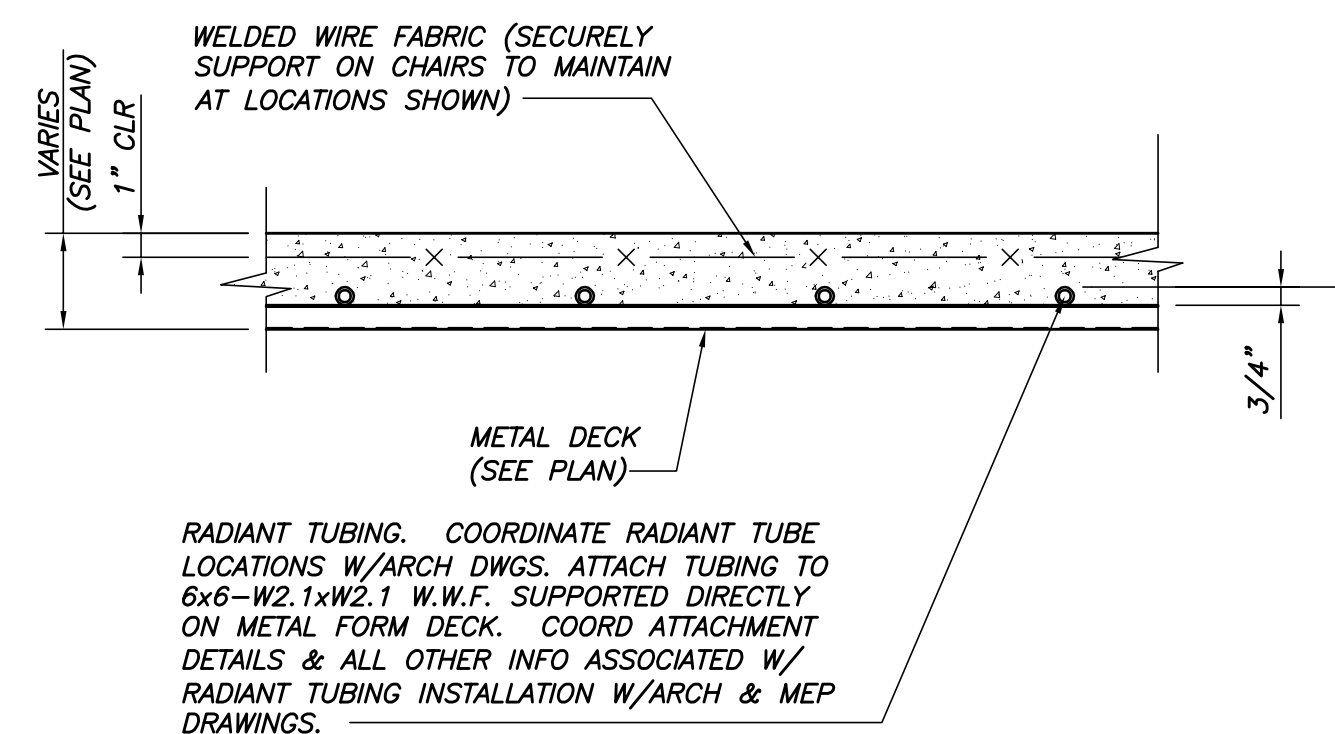
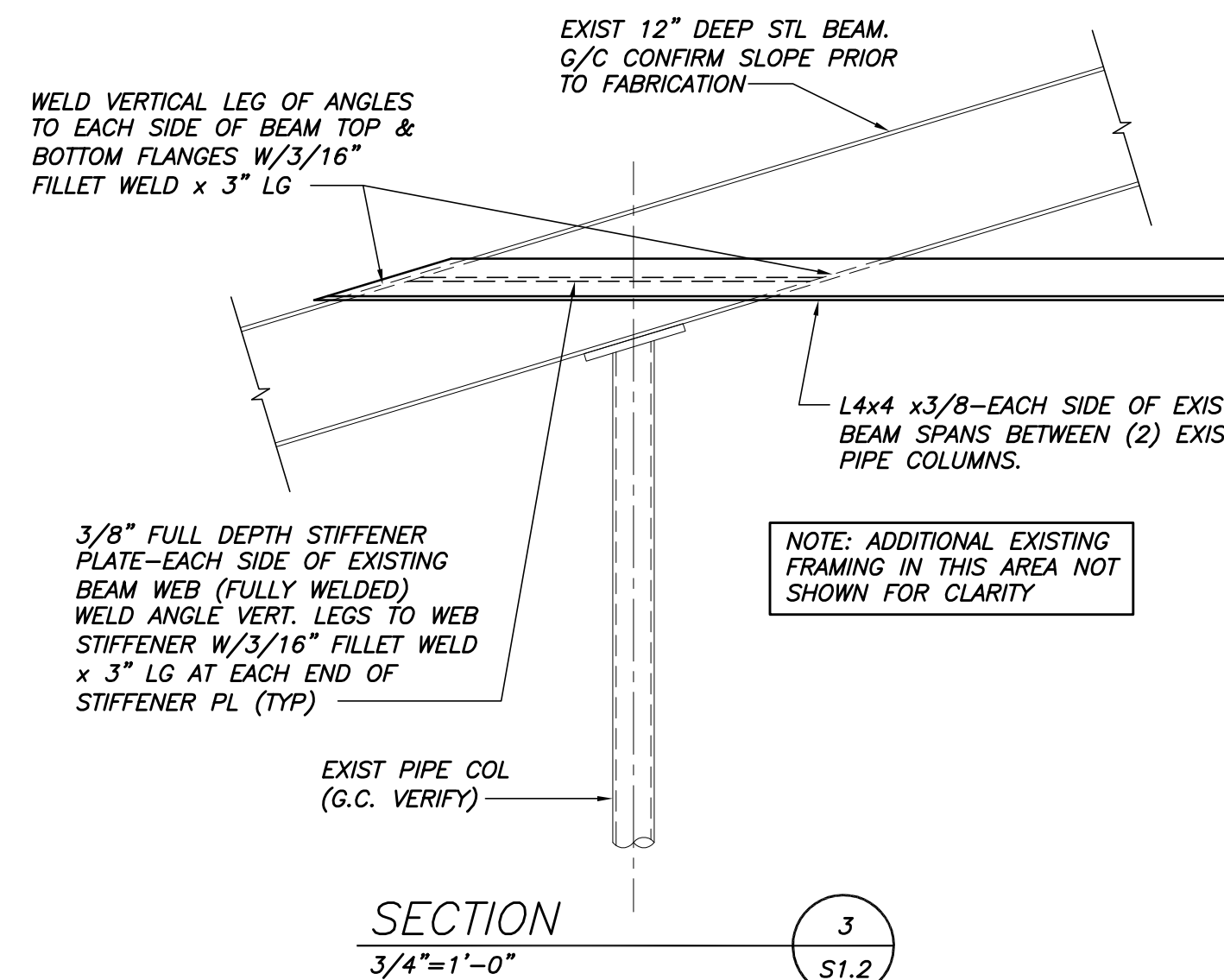
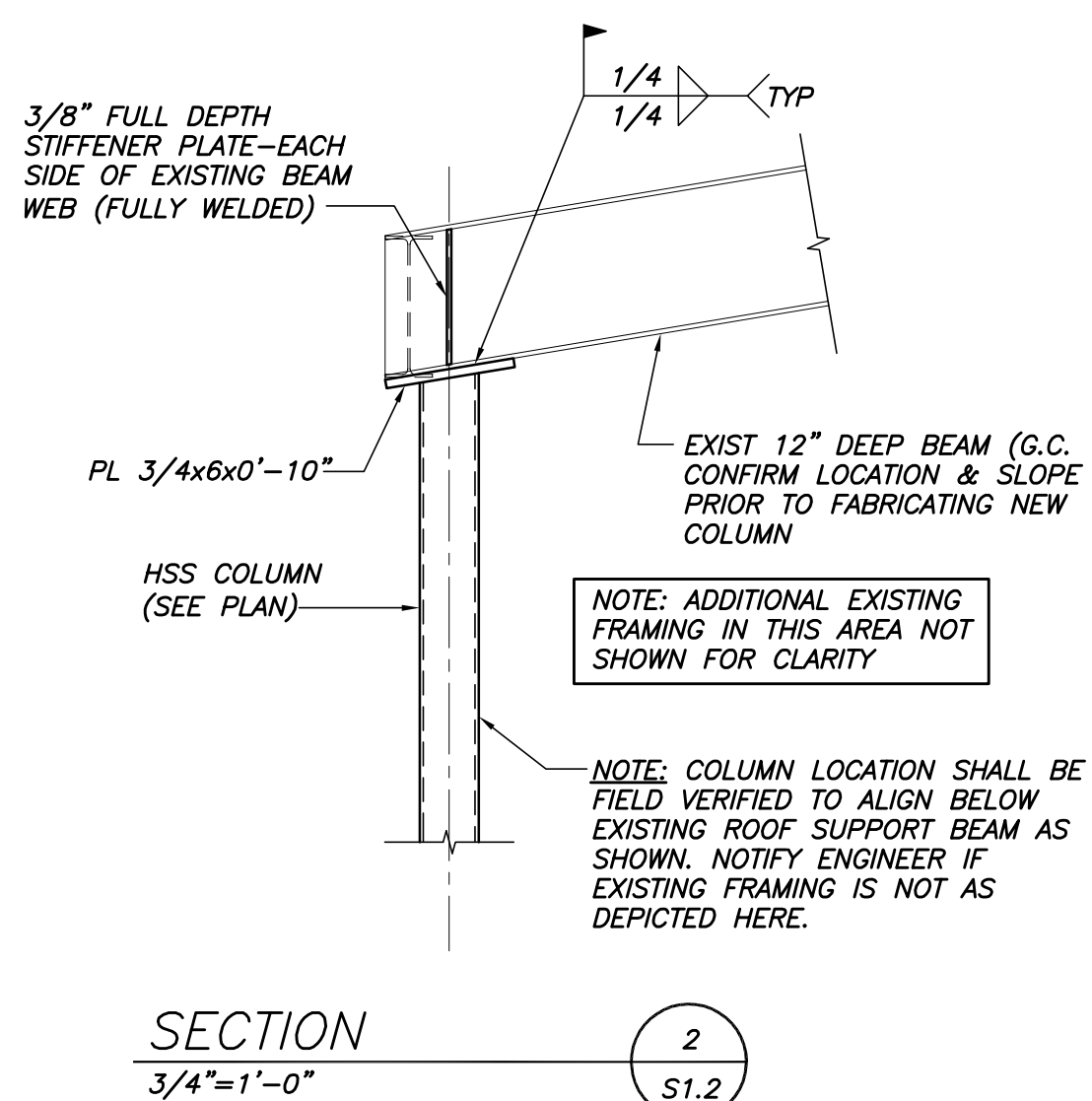
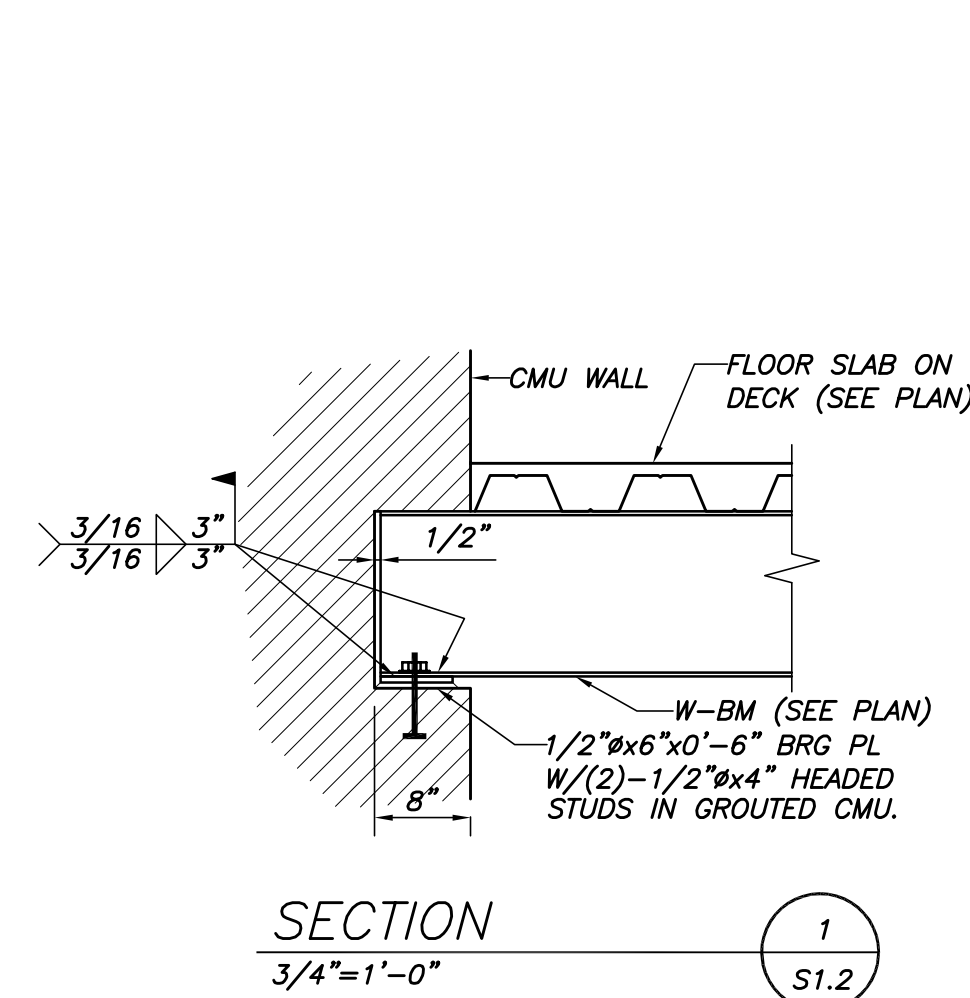
Drawing Name:
 Framing Sections & Details

Scale:
 NOTED

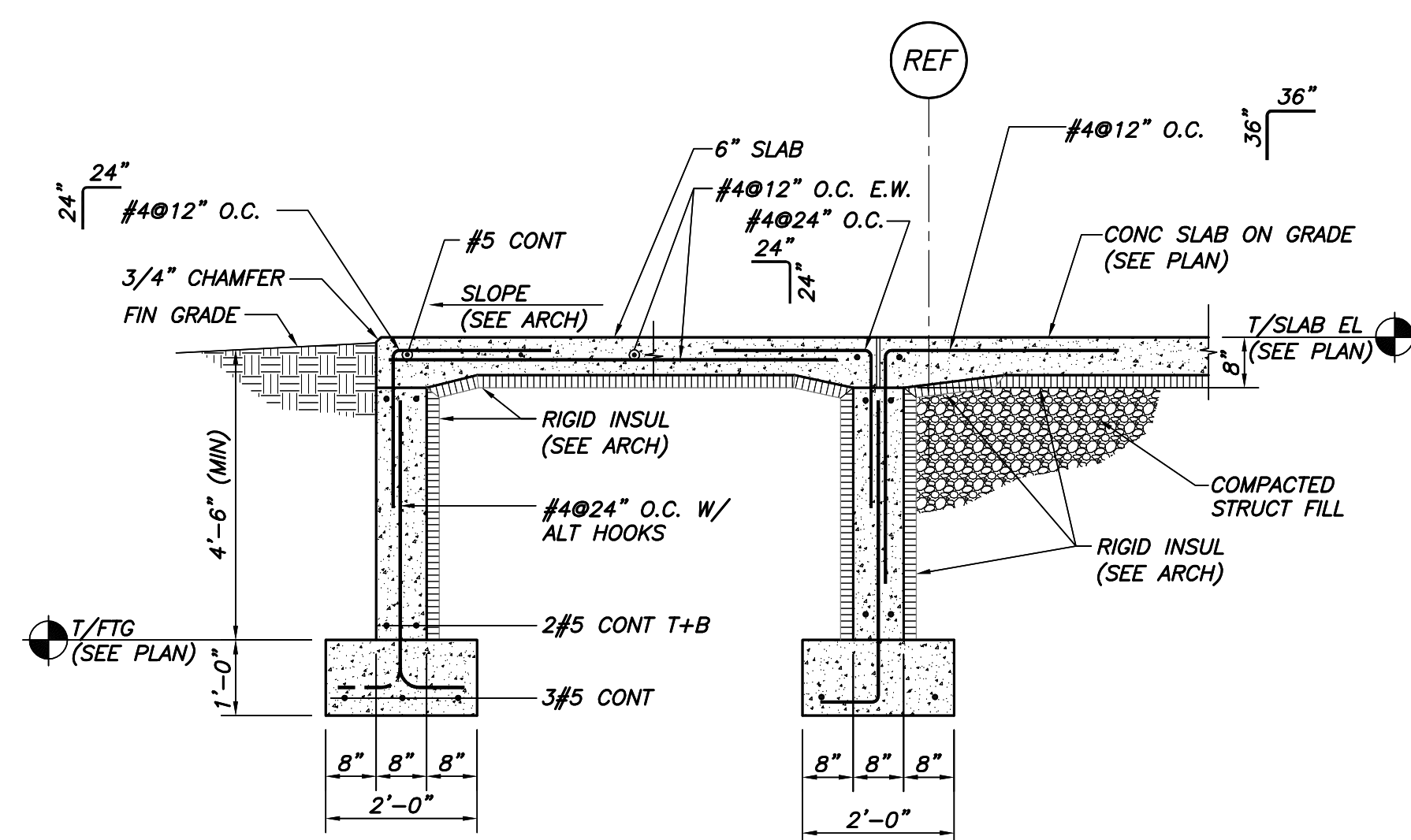
Date:
 10/29/2012

SHEET

S3.3



TYP FRAMED FLOOR SLAB DETAIL
 N.T.S.



TYP WALK-OFF SLAB DETAIL
 1/2"=1'-0"