

GENERAL NOTES:



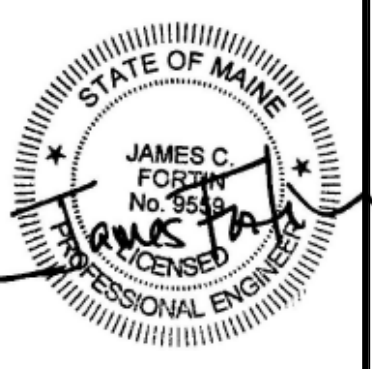
REVISIONS:



5 FUNDY ROAD Phone: 207-781-3344
 FALMOUTH, ME 04105 Fax: 207-699-5564
 Online @ foresidearchitects.com

Project Status:
 BID SET

Project Number:
 SR0712
 BSE WO# 2908



Seaside Rehabilitation
 and Health Care Center
 850 Baxter Blvd
 Portland, ME

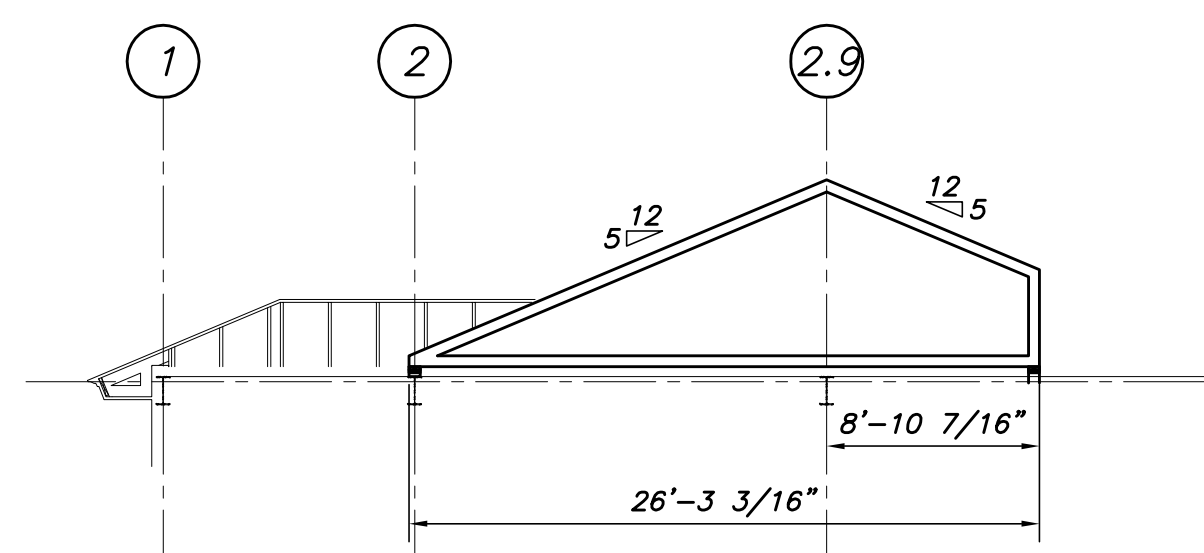
Drawing Name:
 BRACING ELEVATIONS & TYPICAL DETAILS

Scale:
 NOTED

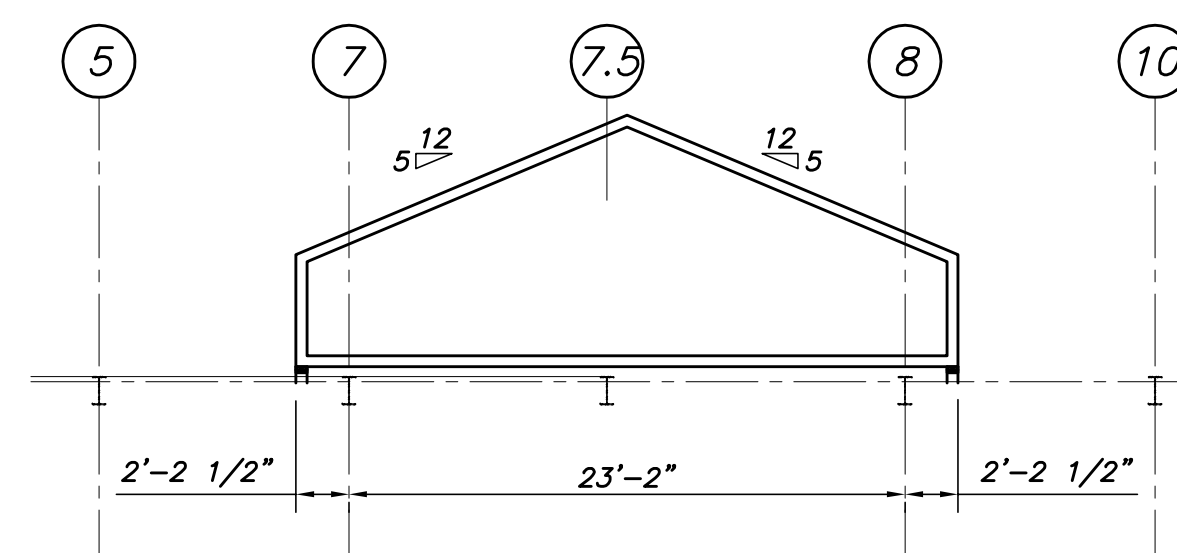
SHEET

Date:
 10/29/2012

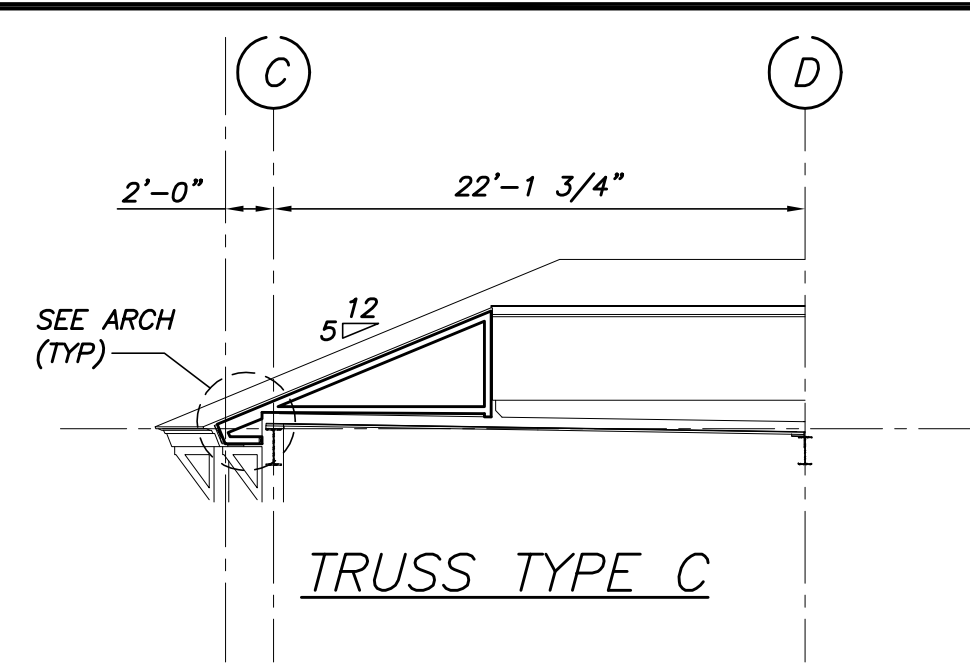
S1.5



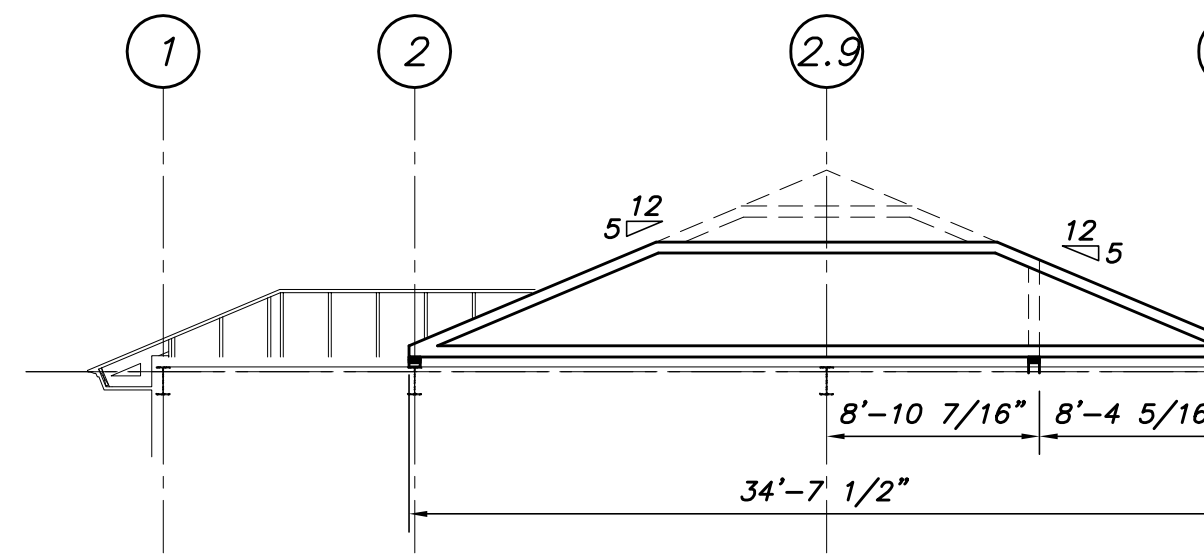
CFMF TRUSS TYPE A



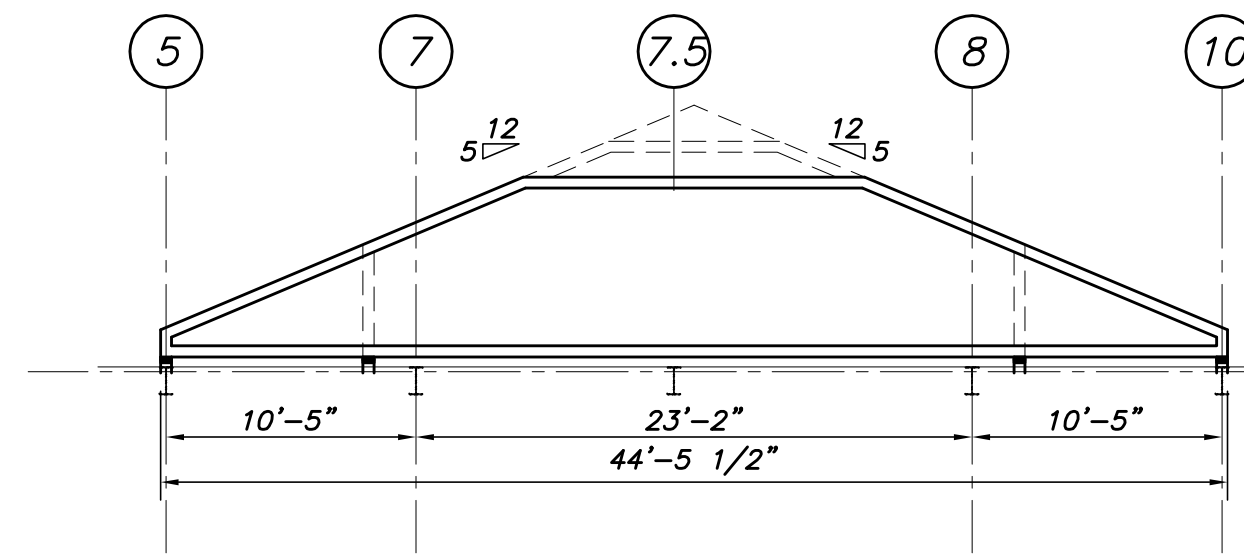
CFMF TRUSS TYPE B



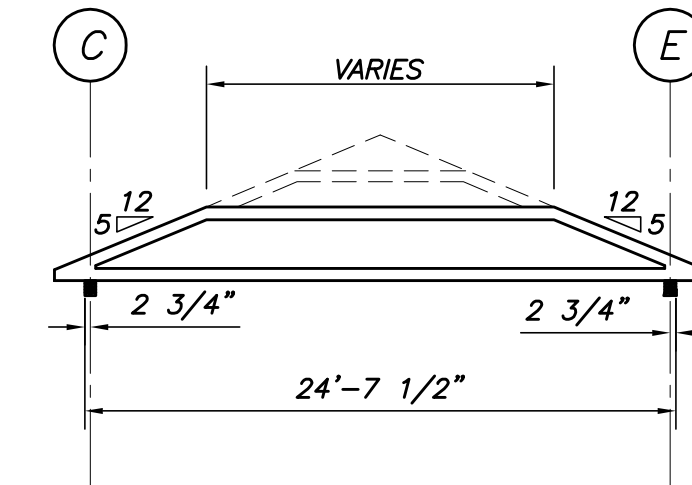
TRUSS TYPE C



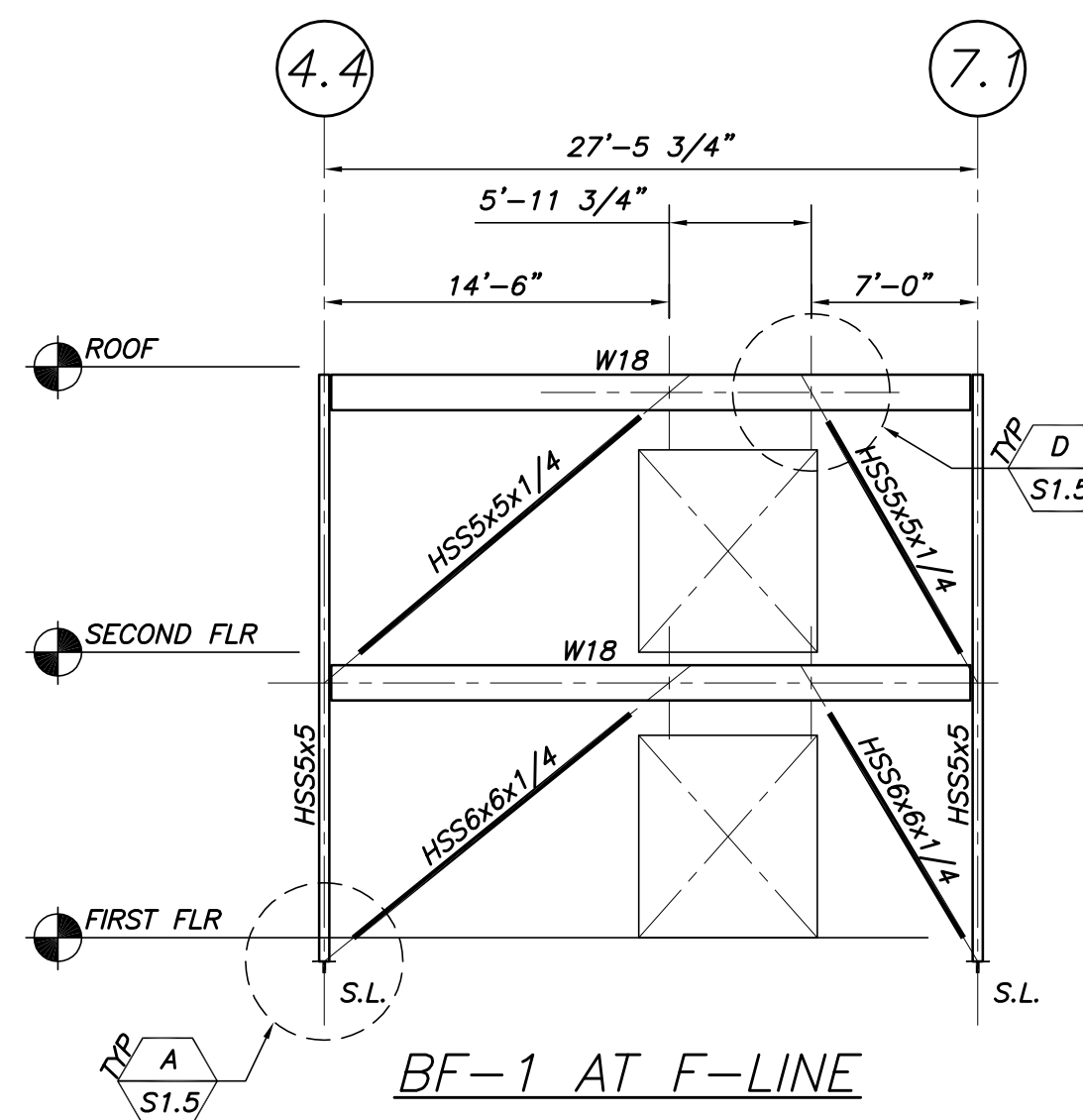
CFMF STEP TRUSS TYPE A



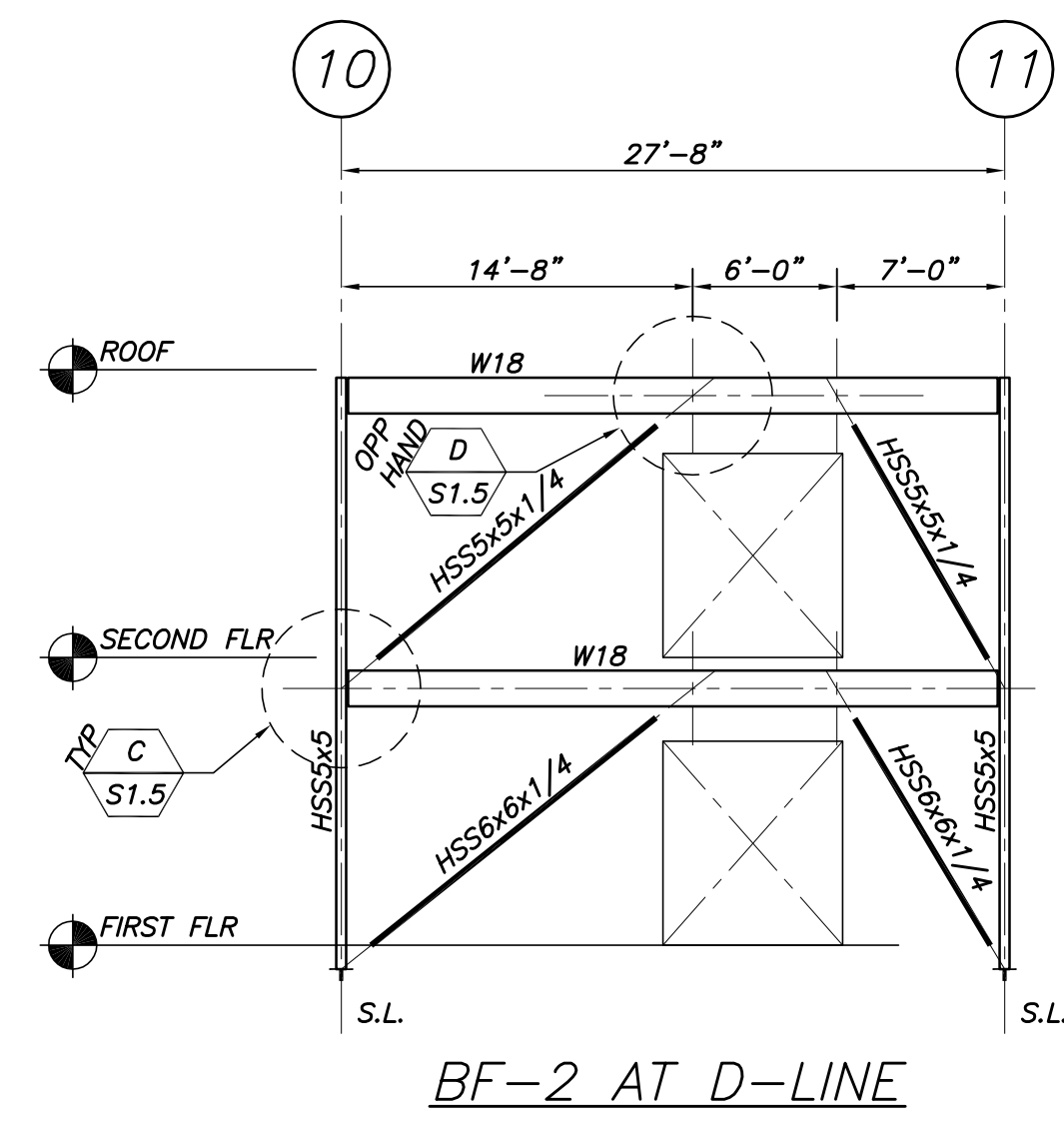
CFMF STEP TRUSS TYPE B



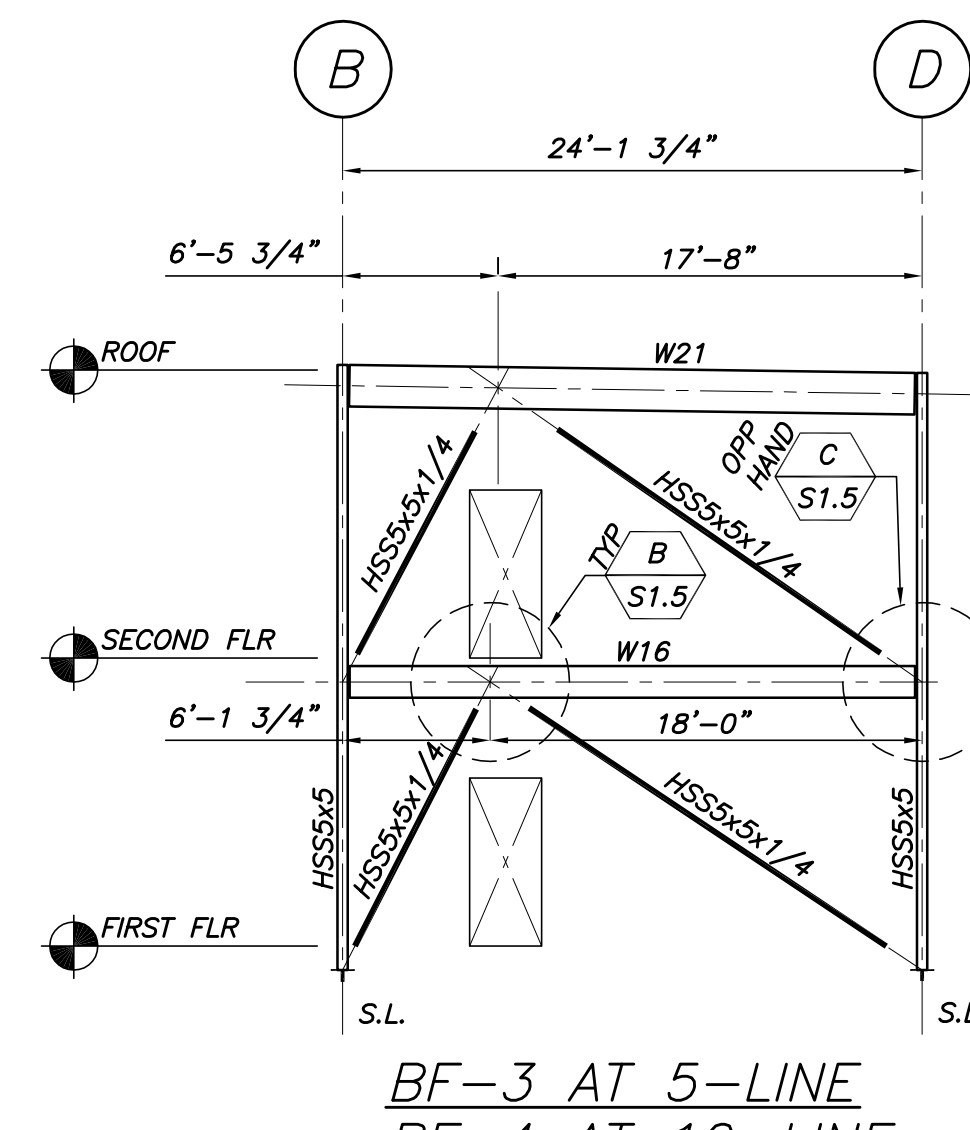
CFMF STEP TRUSS TYPE C



BF-1 AT F-LINE



BF-2 AT D-LINE



BF-3 AT 5-LINE
 BF-4 AT 10-LINE

BRACED FRAME ELEVATIONS

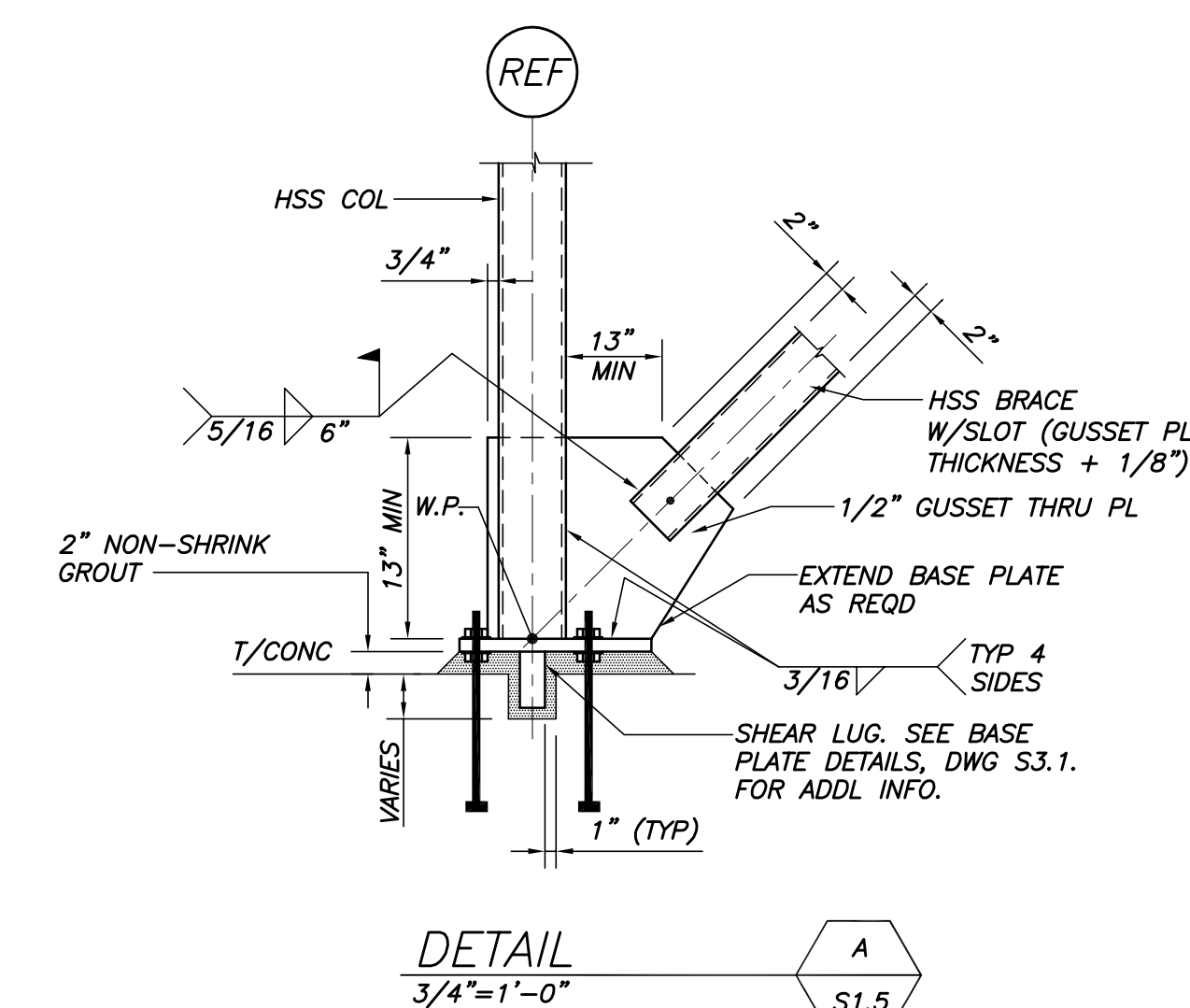
1/8"=1'-0"

SIMPLE SHEAR BEAM CONN. SCHEDULE

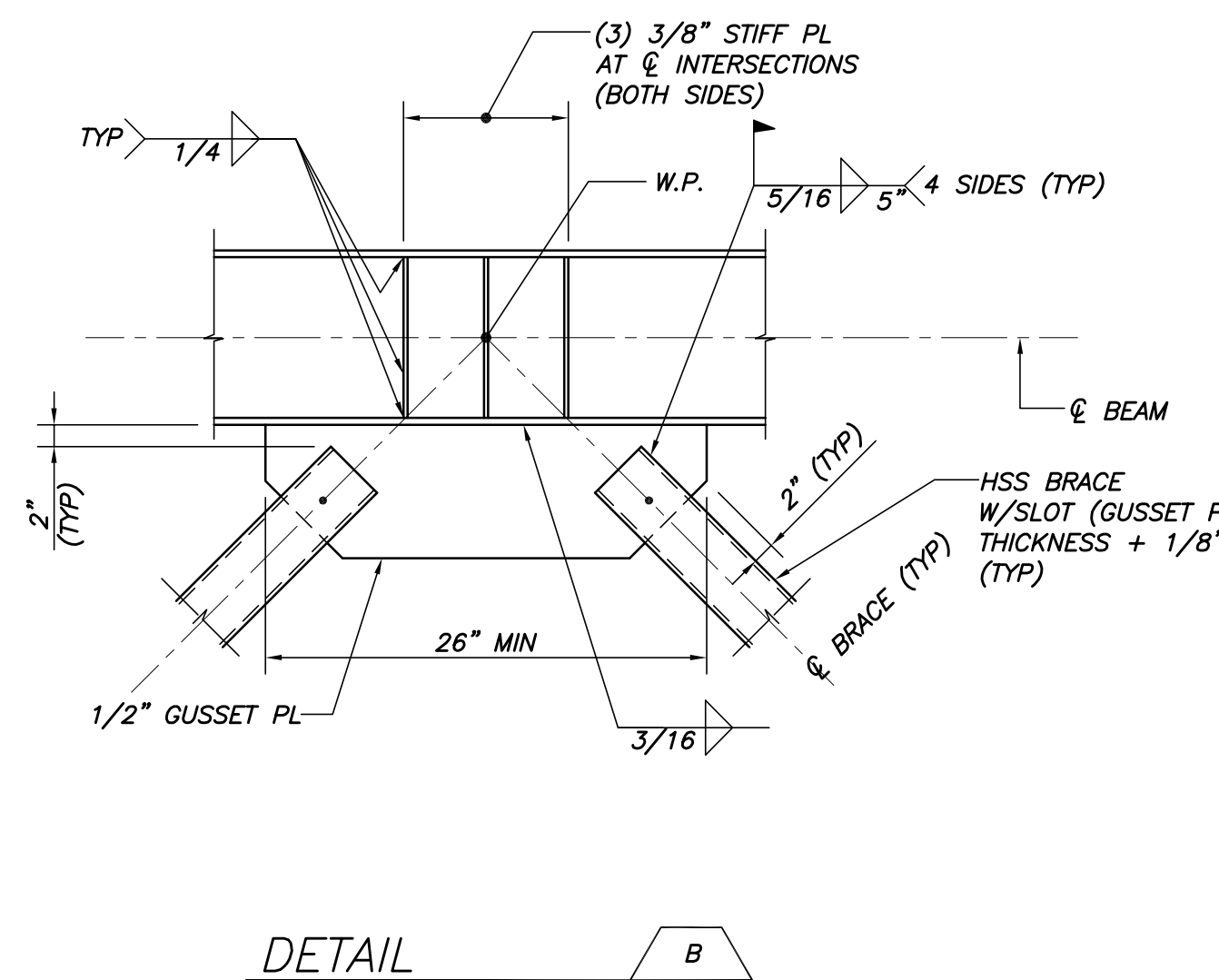
BEAM SIZE	DESIGN REACTION	MINIMUM NO BOLTS 1 SIDED CONNECTION	MINIMUM NO BOLTS 2 SIDED CONNECTION
W8	10k	2	2
W10	15k	2	2
W12	20k	3	2
W14	25k	3	2
W16	25k	4	3
W18	30k	5	3
W21	50k	5	4
W24	40k	5	4

SIMPLE SHEAR CONNECTIONS NOTES:

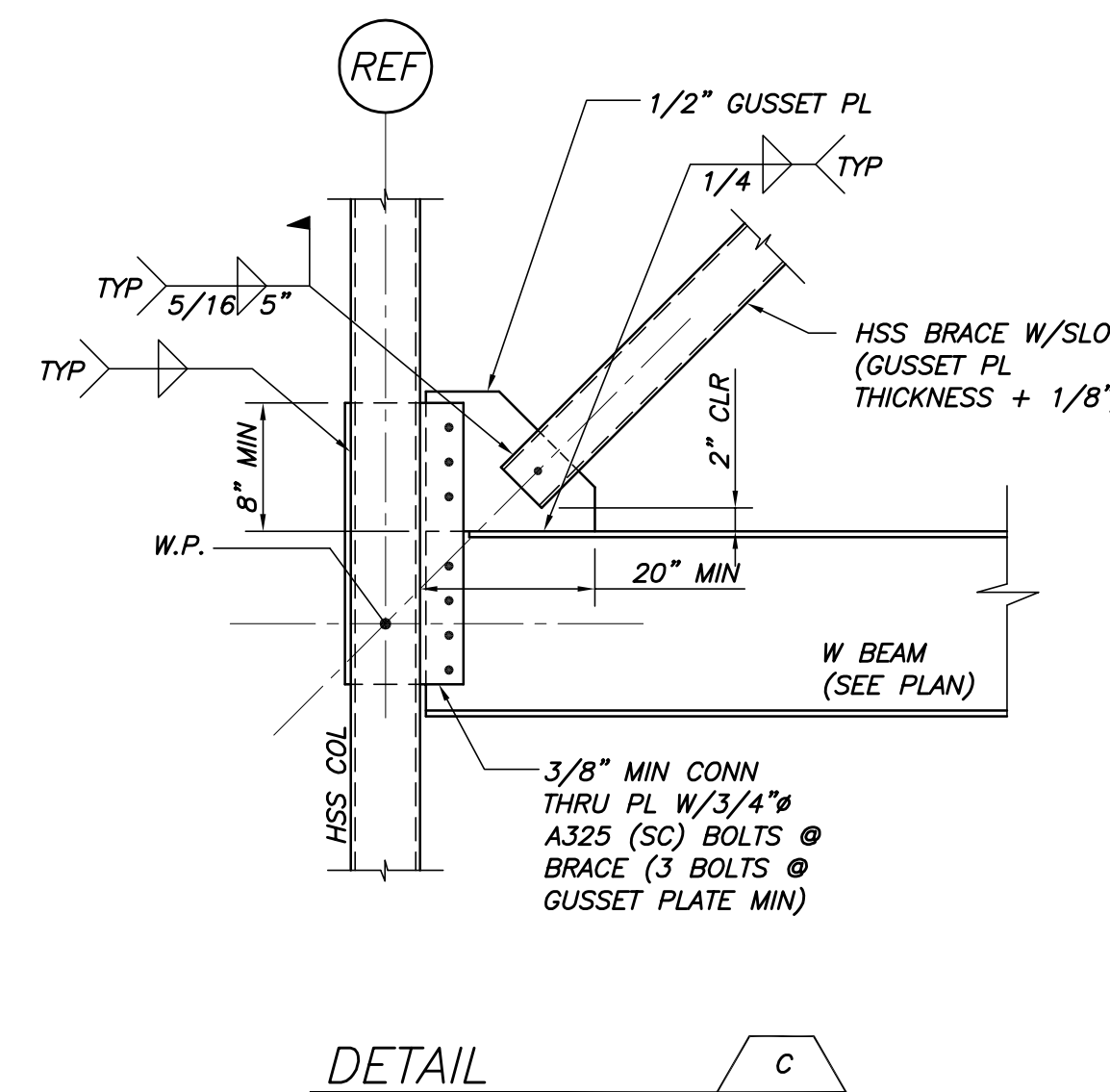
1. SIMPLE SHEAR CONNECTIONS SHALL BE SELECTED FROM THE AISC "MANUAL OF STEEL CONSTRUCTION, THIRTEENTH EDITION" USING THE ABOVE REFERENCED REACTIONS AND CRITERIA. REACTIONS INDICATED ARE UNFACTORED (SERVICE LEVEL LOADS). MORE BOLTS THAN REFERENCED IN THE "MINIMUM" SECTIONS ABOVE MAY BE REQUIRED FOR LOAD REQUIREMENTS.
2. CONNECTIONS ARE SUBJECT TO REVIEW ON THE STEEL SHOP DRAWINGS.
3. ALL BOLTS SHALL BE A325 OR A490 FOR SIMPLE SHEAR CONNECTIONS, MIN 3/4". MINIMUM WELD SIZE SHALL BE 5/16". MINIMUM MATERIAL SIZE FOR PLATES OR ANGLES SHALL BE 3/8"
4. ONE SIDED CONNECTIONS INCLUDE SINGLE PLATES AND SINGLE ANGLE CONNECTIONS.
5. TWO SIDED CONNECTIONS INCLUDE DOUBLE ANGLE AND END PLATE CONNECTIONS.



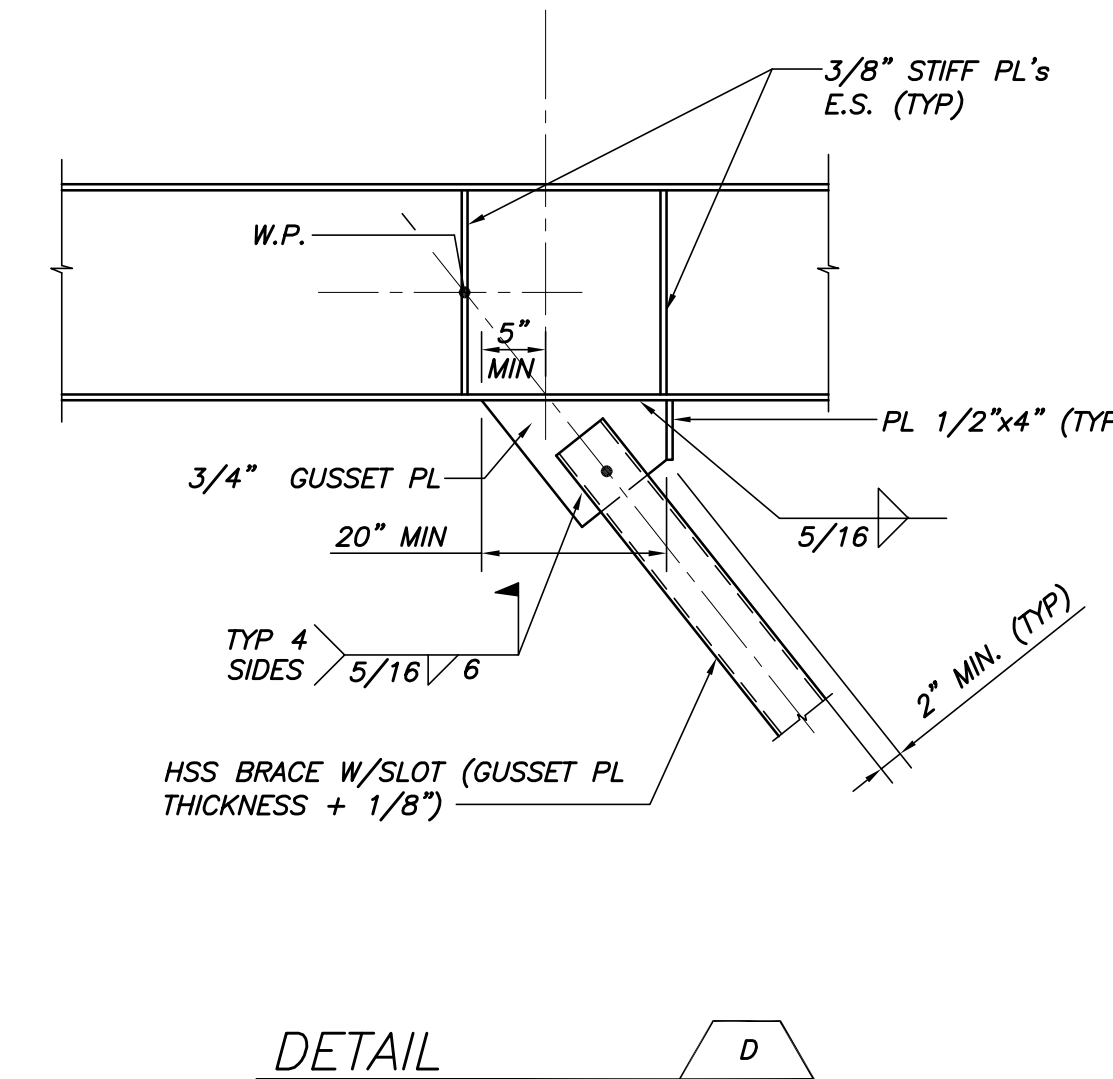
DETAIL
 3/4"=1'-0"



DETAIL
 3/4"=1'-0"



DETAIL
 3/4"=1'-0"



DETAIL
 3/4"=1'-0"