

GENERAL NOTES:

REVISIONS:

BENNETT ENGINEERING
 MECHANICAL-ELECTRICAL
 (207) 855-9475

STATE OF MAINE
 LICENSED PROFESSIONAL ENGINEER
 No. 3807
 STEPHEN P. BOEL

FORESIDE ARCHITECTS LLC

5 Fundy Road
 Falmouth, Maine 04105
 Phone: 207-781-3344
 Fax: 207-699-5564
 Online @ foresidearchitects.com

Project Status: Bid Set
 Project Number: SR0712

Project Title: Seaside Rehab & Healthcare Center
 850 Baxter Blvd
 Portland, ME

Drawing Name: Mechanical Schedules and Details

Scale: 1/8"=1'-0"
 Date: 10/29/12

SHEET: M2.2

HEATING COIL PERFORMANCE SCHEDULE

TAG	OUTPUT (TMBH)	FLOW RATE (GPM)	WPD (FT WDG)	WATER VELOCITY (FPS)	EQUT (°F)	LUIT (°F)	ROUS	TURBS (TYN)	HIG. AIR FLOW (CFM)	MAX. AIR FLOW (CFM)	APD. (N.WG)	EAT (°F)	LAT (°F)	COIL TYPE	FIN MAT.	FRF	VALVE	MODEL	SERVICE	
74G	54.5	561 FPM	5.0	13.0	120	100	2	N	1100	1100	0.20	45	14.5	-	AL	10 FF 1"	-	-	(7) 1"	ERV 1.2
HC 1.2																				

RADIANT FLOOR HEATING SCHEDULE

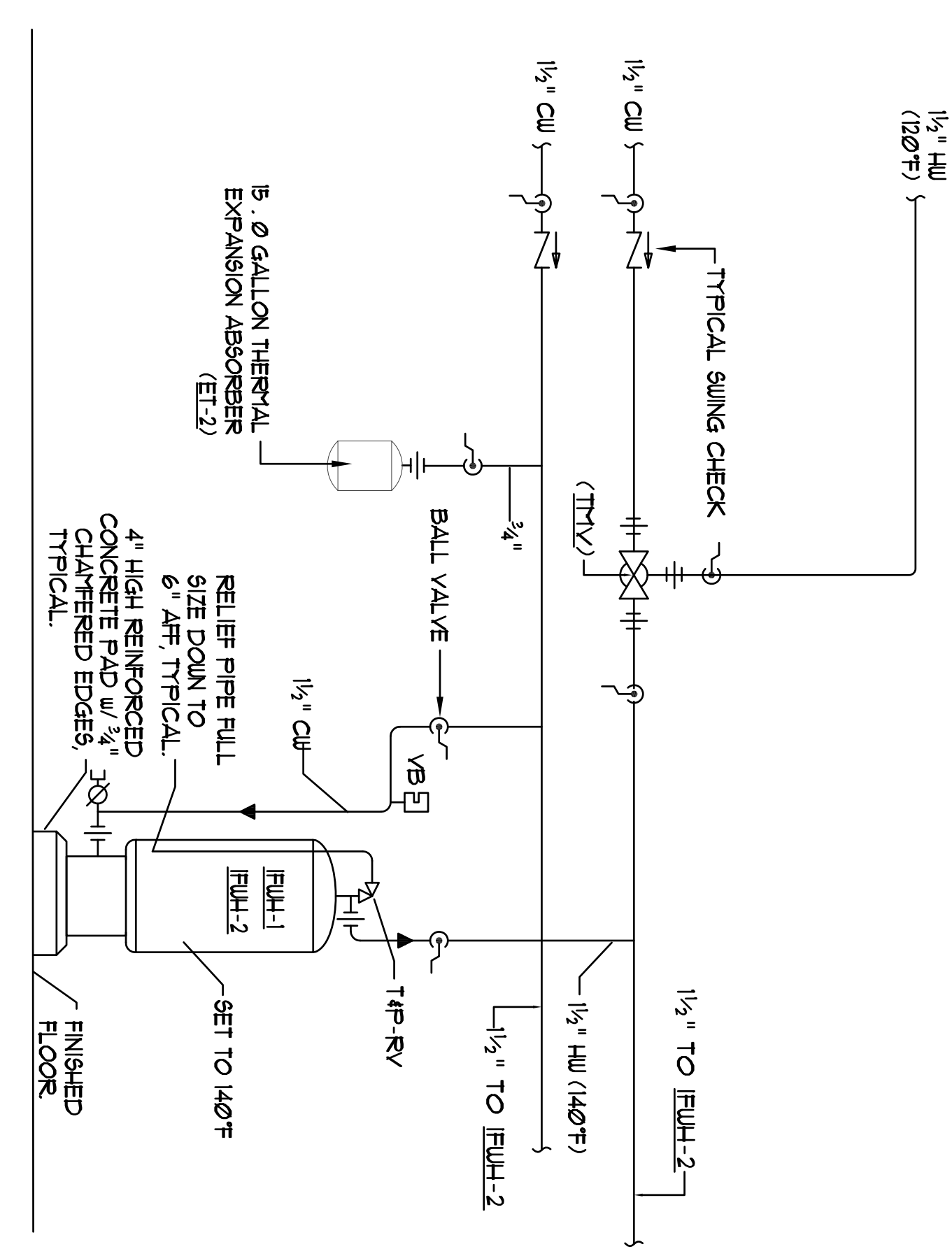
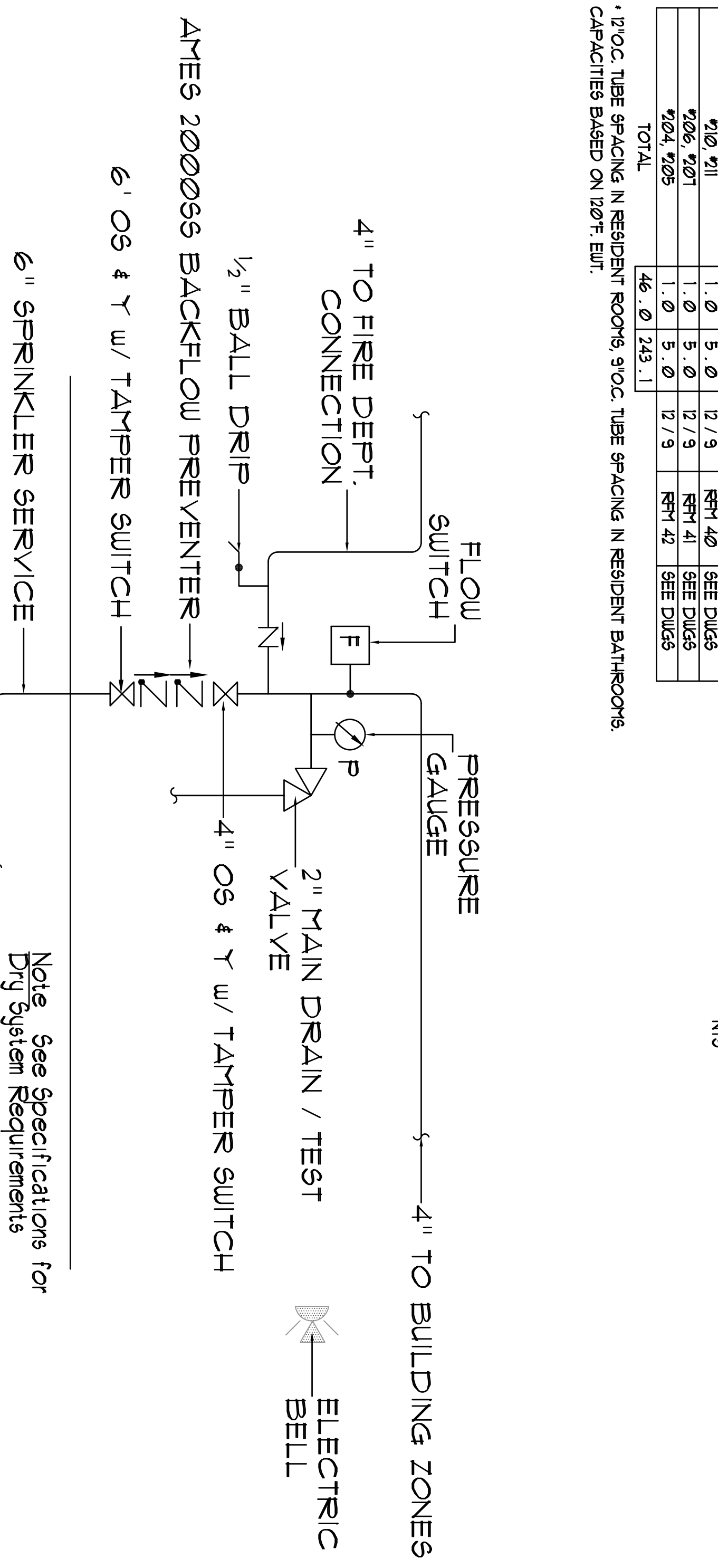
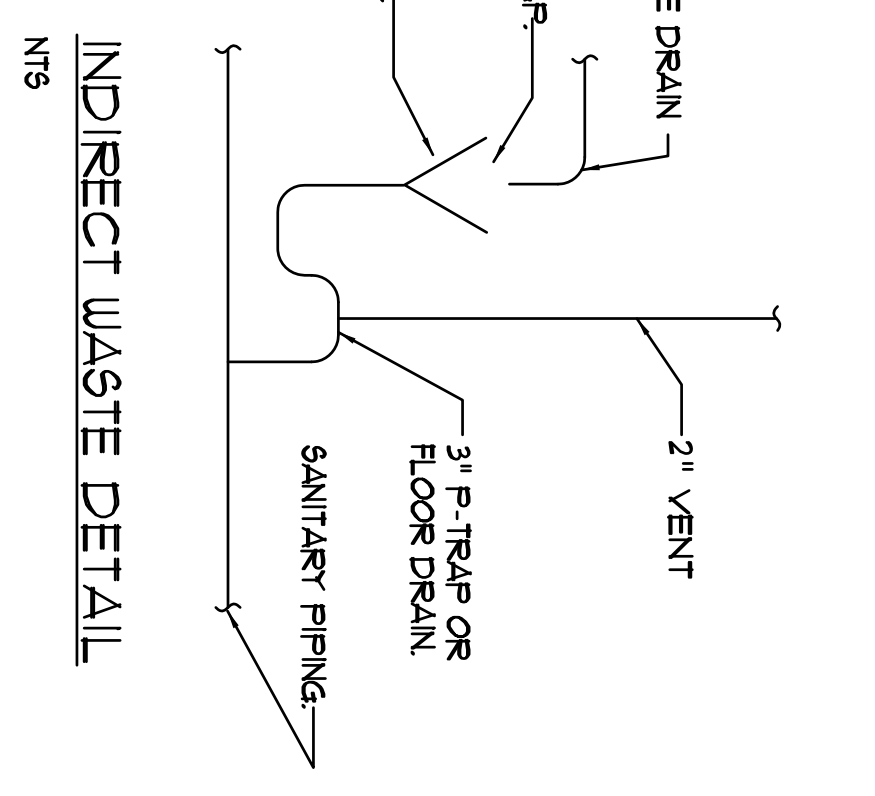
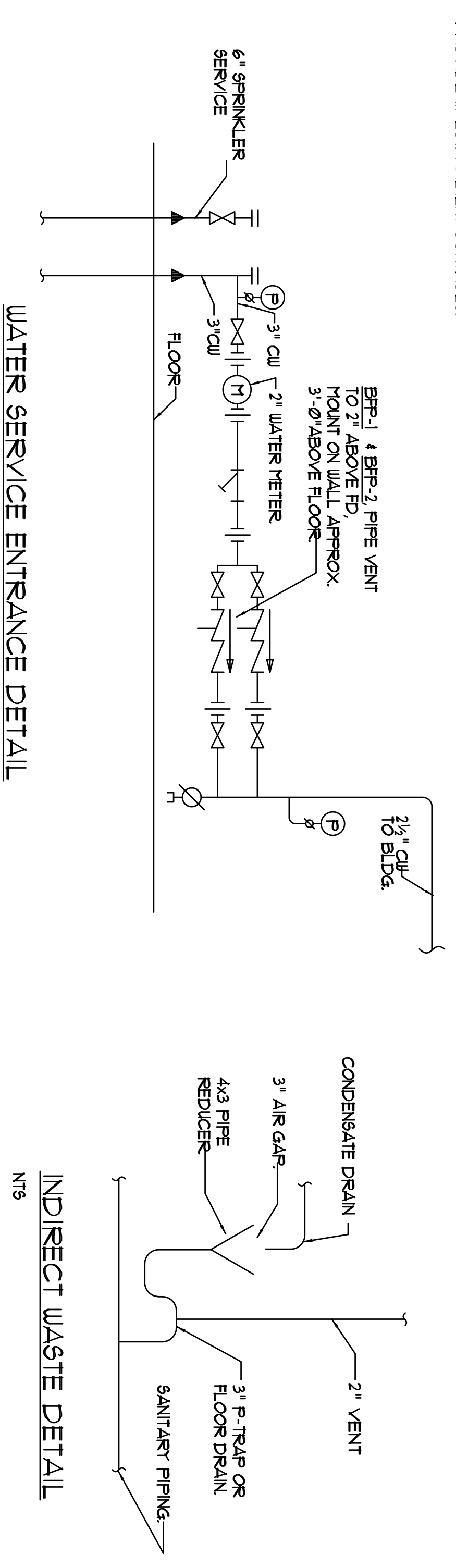
ROOM NAME(S)	LOAD (GPM)	WATER VELOCITY (FPS)	MANIFOLD	ZONE
#11, #12	1.0	5.0	12.9	RN11
#61, #66	1.0	5.0	12.9	SEE DUG5
#62, #66	1.0	5.0	12.9	RN13
#60, #65	1.0	5.0	12.9	SEE DUG5
#65, #69	1.0	5.0	12.9	RN15
#64, #68	1.0	5.0	12.9	SEE DUG5
#63	2.0	10.9	9	RN17
#51, #52	1.0	5.0	12.9	RN18
#41, #46	1.0	5.0	12.9	SEE DUG5
#40, #42	1.0	5.0	12.9	RN11
#35, #39	1.0	5.0	12.9	SEE DUG5
#34, #38	1.0	5.0	12.9	RN13
#29, #33	1.0	5.0	12.9	SEE DUG5
#24, #28	1.0	5.0	12.9	RN14
#23, #27	1.0	5.0	12.9	SEE DUG5
#22, #26	1.0	5.0	12.9	RN16
#21, #25	1.0	5.0	12.9	SEE DUG5
#20, #24	1.0	5.0	12.9	RN18
#11, #13	1.0	5.0	12.9	SEE DUG5
#10, #14, #15	1.0	5.0	12.9	RN19
#11, #12	1.0	5.0	12.9	RN21
#61, #66	1.0	5.0	12.9	RN22
#61, #66	1.0	5.0	12.9	RN23
#60, #65	1.0	5.0	12.9	SEE DUG5
#55, #59	1.0	5.0	12.9	RN25
#54, #58	1.0	5.0	12.9	SEE DUG5
#53	2.0	10.9	9	RN27
#51, #52	1.0	5.0	12.9	RN28
#41, #46	1.0	5.0	12.9	SEE DUG5
#40, #42	1.0	5.0	12.9	RN30
#35, #39	1.0	5.0	12.9	SEE DUG5
#34, #38	1.0	5.0	12.9	RN31
#29, #33	1.0	5.0	12.9	SEE DUG5
#24, #28	1.0	5.0	12.9	RN33
#23, #27	1.0	5.0	12.9	SEE DUG5
#22, #26	1.0	5.0	12.9	RN34
#21, #25	1.0	5.0	12.9	SEE DUG5
#20, #24	1.0	5.0	12.9	RN36
#20, #24	1.0	5.0	12.9	RN39
#20, #24	1.0	5.0	12.9	SEE DUG5
#20, #24	1.0	5.0	12.9	RN40
#20, #24	1.0	5.0	12.9	SEE DUG5
#20, #24	1.0	5.0	12.9	RN41
#20, #24	1.0	5.0	12.9	SEE DUG5
#20, #24	1.0	5.0	12.9	RN42
#20, #24	1.0	5.0	12.9	SEE DUG5
TOTAL	46.0	243.1		

SPLIT-SYSTEM AIR CONDITIONER PERFORMANCE SCHEDULE

TAG	TOTAL COOLING (TMBH)	AIRFLOW (CFM)	MOISTURE REMOVAL (PINTS/HK)	COND. DRAIN (N)	EER (BTU/WATT)	SOUND RATING (DB)	OPERATING WEIGHT (LBS)	ELECTRICAL REQUIREMENTS	PIPE SIZE (N)	REFRIGERANT	LIQUID	GAS	MAX FUSE	V/F/PHZ	SERVICE	ARRANGEMENT	MODEL
74G	11.9	290	2.1	1"	13.8	40	62	MCA	1.0	15.0	208/160	IT ROOM	WALL	FKA-ALFAL			
SAC-IT	11.9	290	2.1	1"	13.8	40	62	MCA	1.0	15.0	208/160	ETR	WALL	FKA-ALFAL			
SAC-ETR	11.9	290	2.1	1"	13.8	40	62	MCA	1.0	15.0	208/160	ETR	WALL	FKA-ALFAL			

SPLIT-SYSTEM CONDENSING UNIT PERFORMANCE SCHEDULE

TAG	TOTAL COOLING (TMBH)	AIRFLOW (CFM)	MOISTURE REMOVAL (PINTS/HK)	COND. DRAIN (N)	EER (BTU/WATT)	SOUND RATING (DB)	OPERATING WEIGHT (LBS)	ELECTRICAL REQUIREMENTS	PIPE SIZE (N)	REFRIGERANT	LIQUID	GAS	MAX FUSE	V/F/PHZ	SERVICE	ARRANGEMENT	MODEL
74G	11.9	290	2.1	1"	13.8	40	62	MCA	1.0	15.0	208/160	IT ROOM	WALL	FKA-ALFAL			
SAC-IT	11.9	290	2.1	1"	13.8	40	62	MCA	1.0	15.0	208/160	ETR	WALL	FKA-ALFAL			
SAC-ETR	11.9	290	2.1	1"	13.8	40	62	MCA	1.0	15.0	208/160	ETR	WALL	FKA-ALFAL			



* 120°C. TUBE SPACING IN RESIDENT ROOMS, 910°C. TUBE SPACING IN RESIDENT BATHROOMS. CAPACITIES BASED ON 120°F. EWT.

* AT ARI CONDITIONS OF 95°F AMBIENT / 61°F INDOOR WB
 * AT 45°F SATURATED SUCTION TEMPERATURE

* PROVIDE W/ LOW AMBIENT CONTROLS.

Note: See specifications for Dry System Requirements

WET SPRINKLER SYSTEM RISER DIAGRAM NTS

DOMESTIC HOT WATER PIPING SCHEMATIC NTS