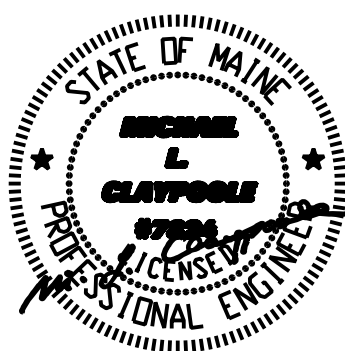
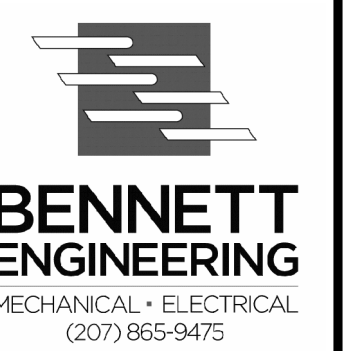


GENERAL NOTES:

REVISIONS:



5 Fundy Road Phone: 207-781-3344
 Falmouth, Maine 04105 Fax: 207-699-5564
 Online @ foresidearchitects.com

Project Status:
 Bid Set

Project Number:
 SR0712

Project Title:
 Seaside Rehab & Healthcare Center
 850 Baxter Blvd
 Portland, ME

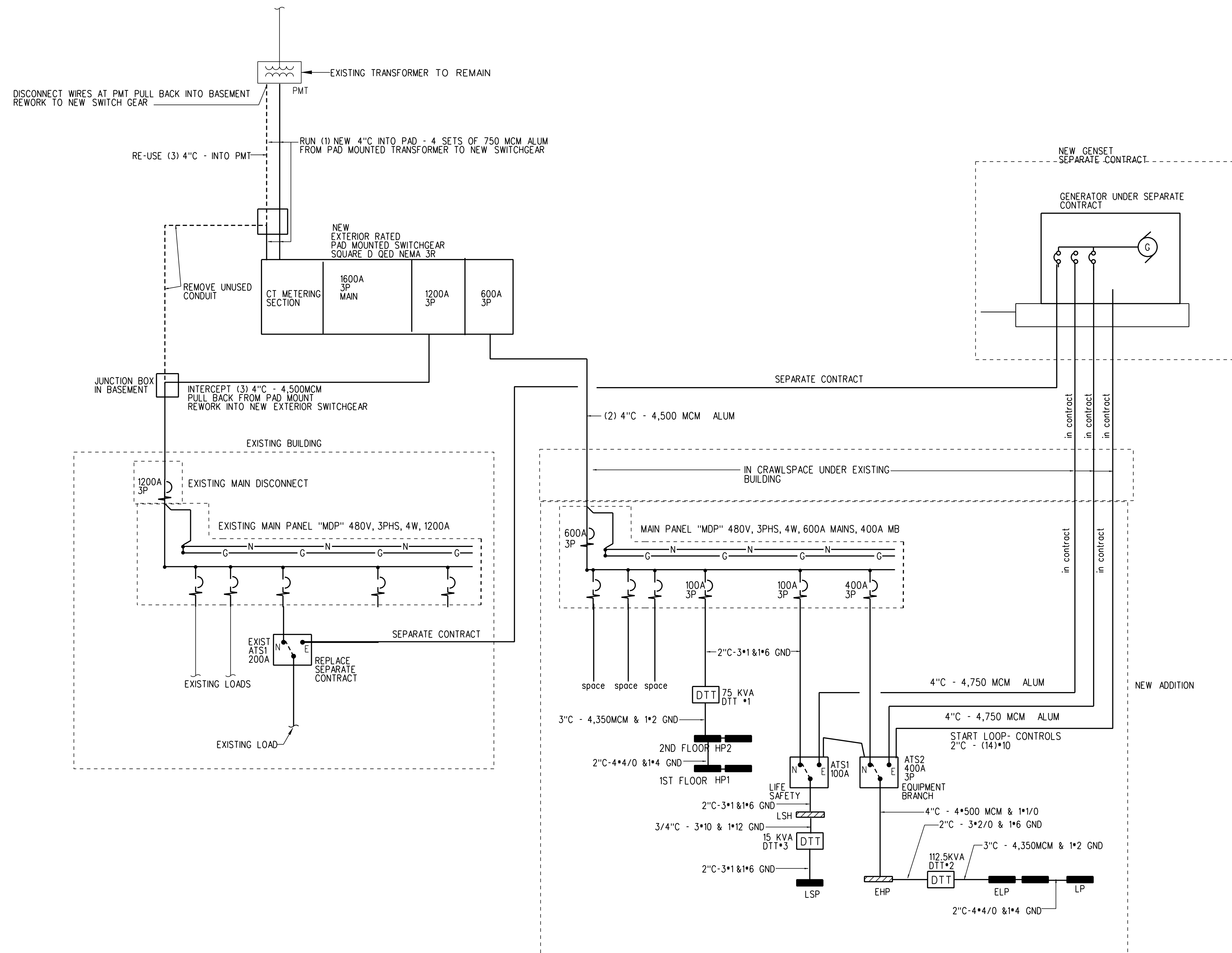
Drawing Name:
 PANEL SCHEDULE, ONE-LINE,
 AND ELECTRICAL DETAILS

Scale:
 NOT TO SCALE

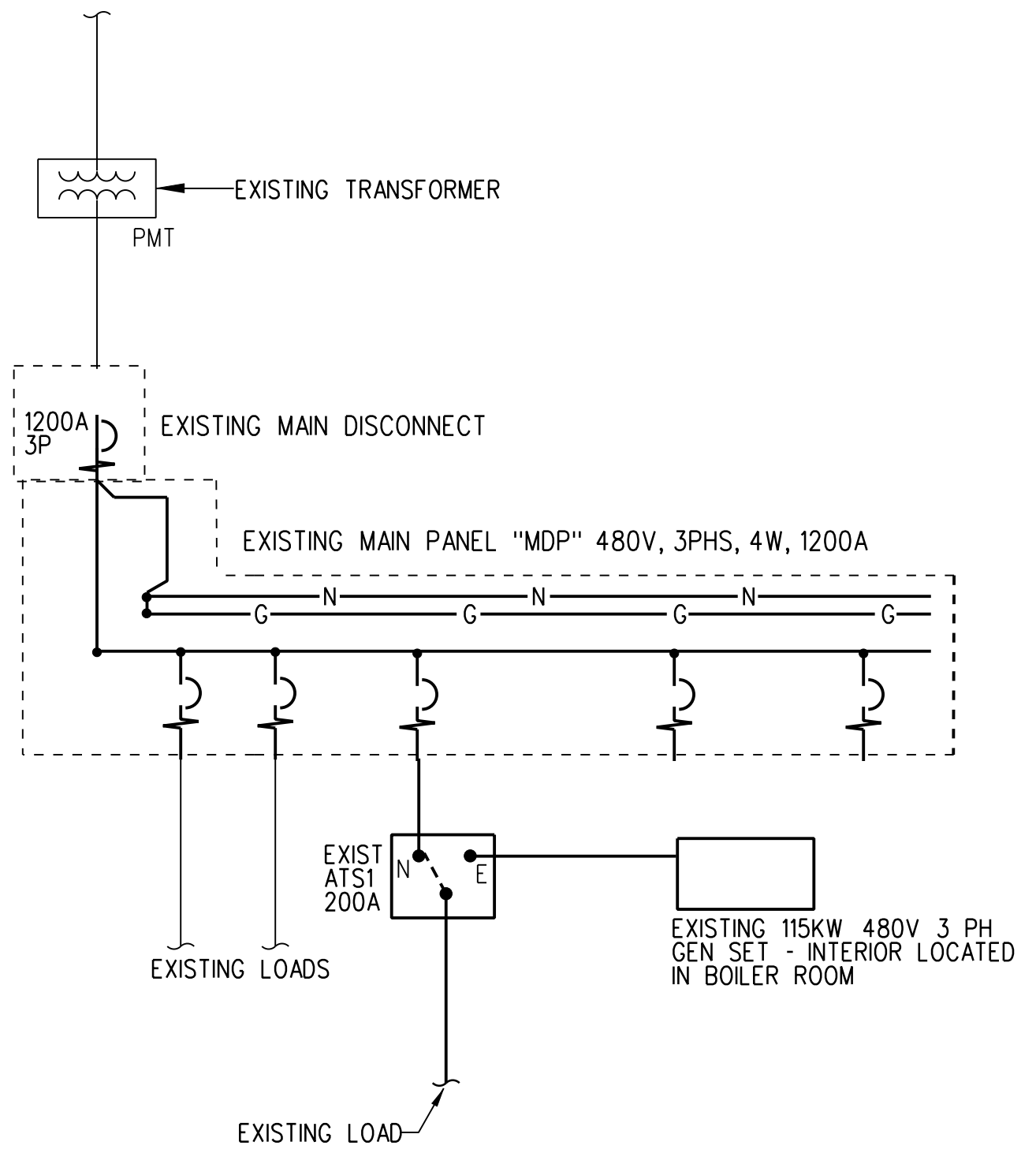
Date:
 10/29/12

SHEET

E-4.1



PROPOSED ONE LINE DIAGRAM
 SCALE: NONE



EXISTING ONE LINE DIAGRAM
 SCALE: NONE