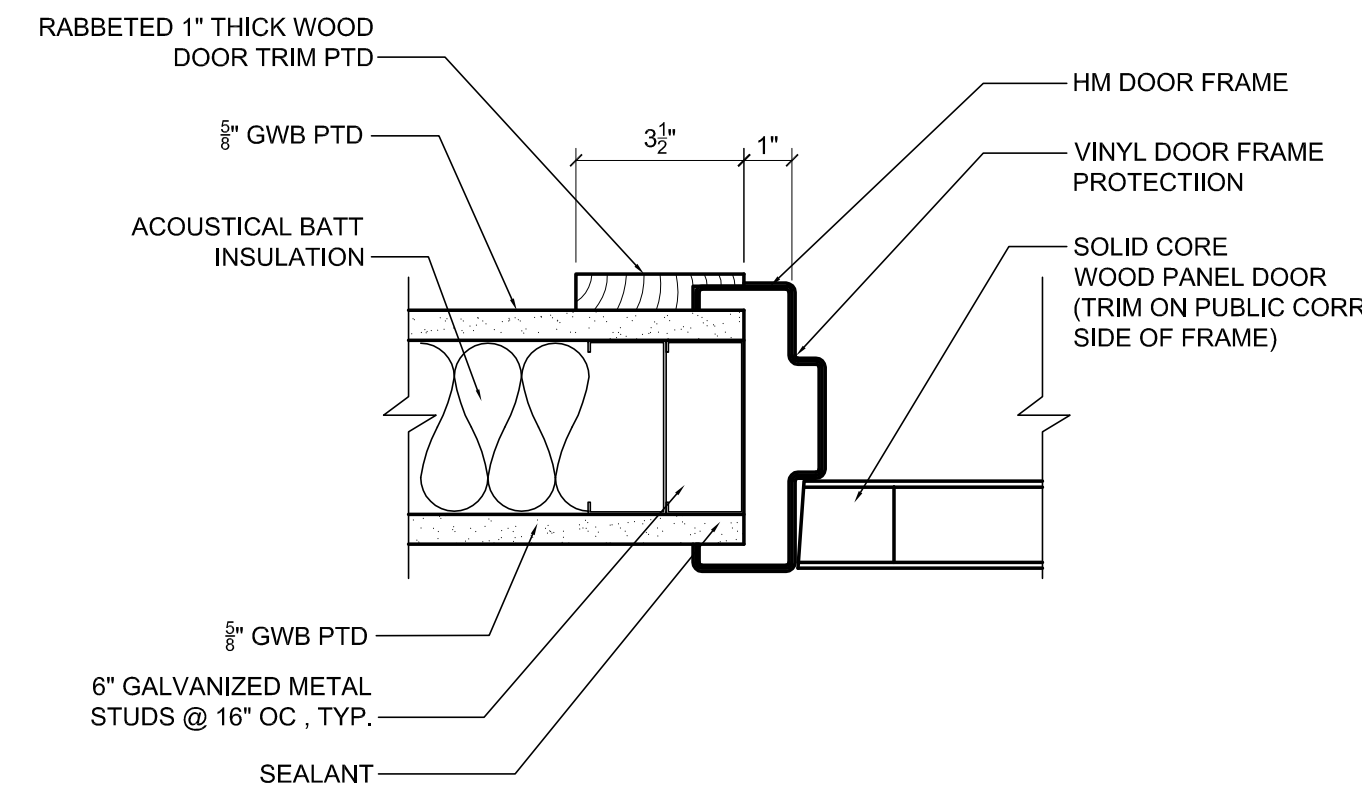
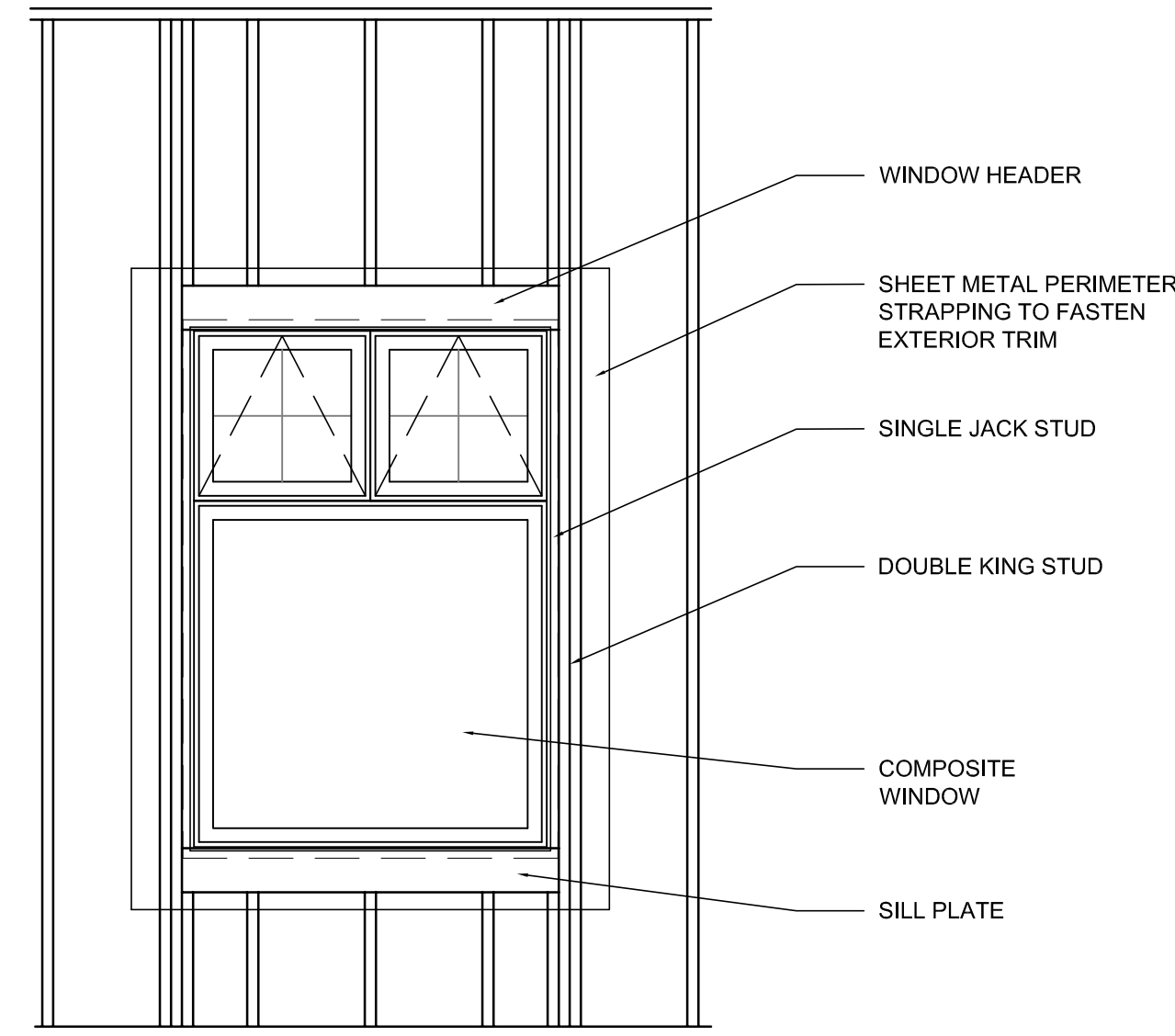


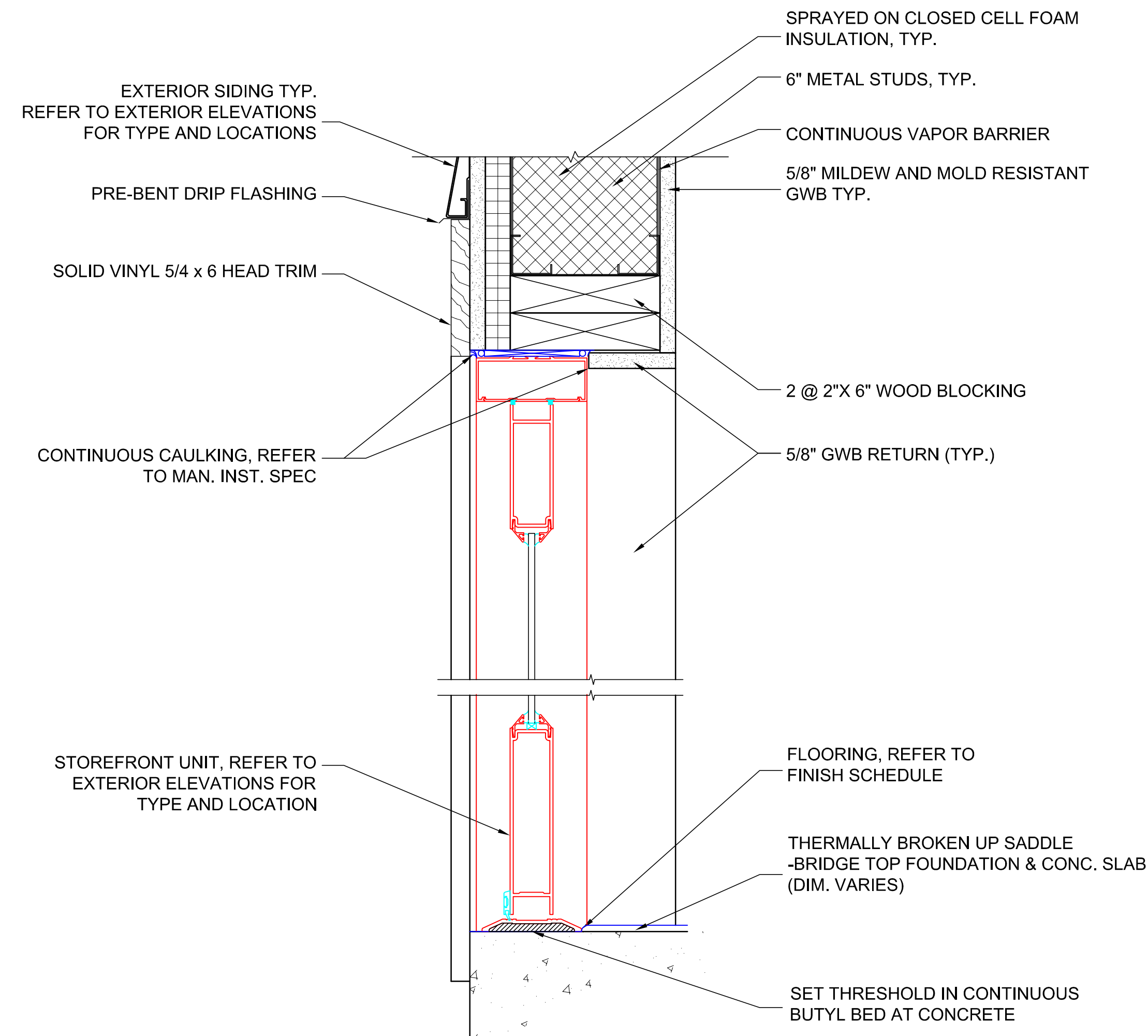
GENERAL NOTES:



1 TYP INTERIOR DOOR JAMB
 SCALE: 3" = 1'-0"

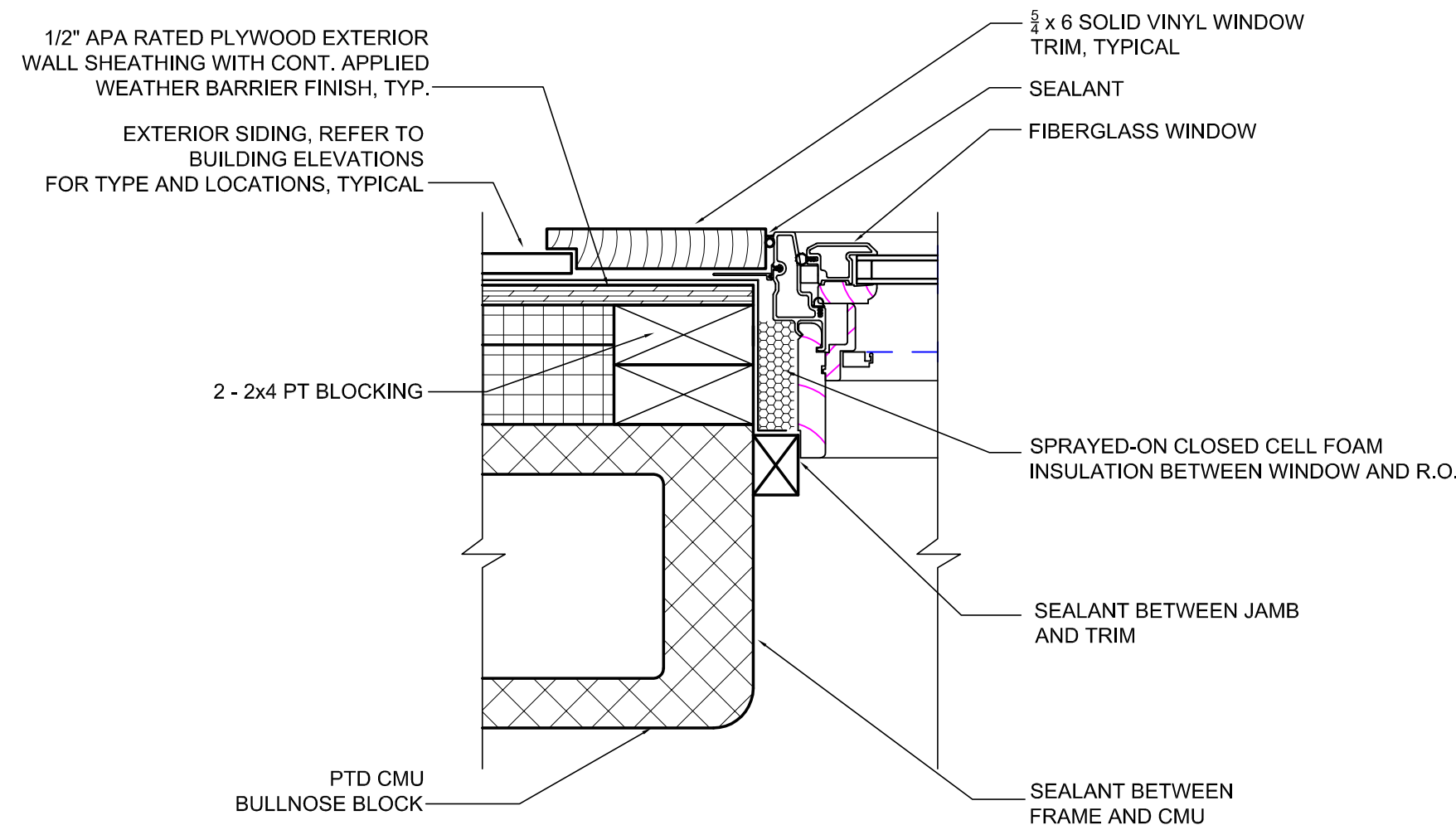


4 TYP EXT METAL STRAPPING
 SCALE: 1/2" = 1'-0"

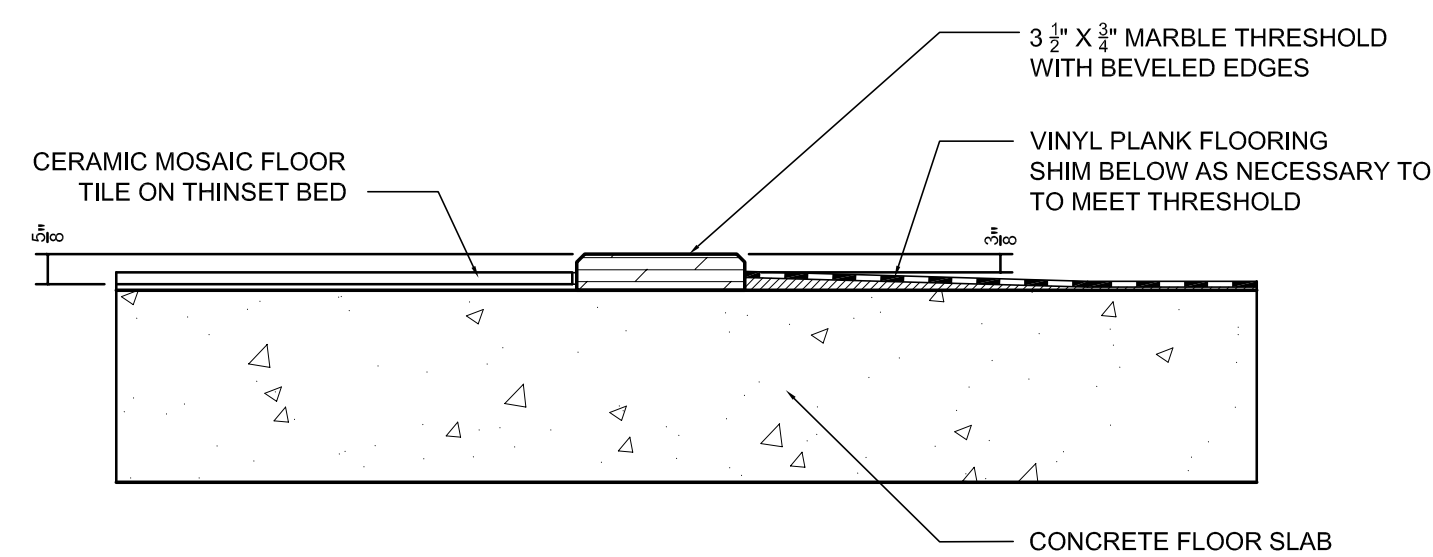


7 ALUM DOOR HEAD/SILL DETAIL
 SCALE: 3" = 1'-0"

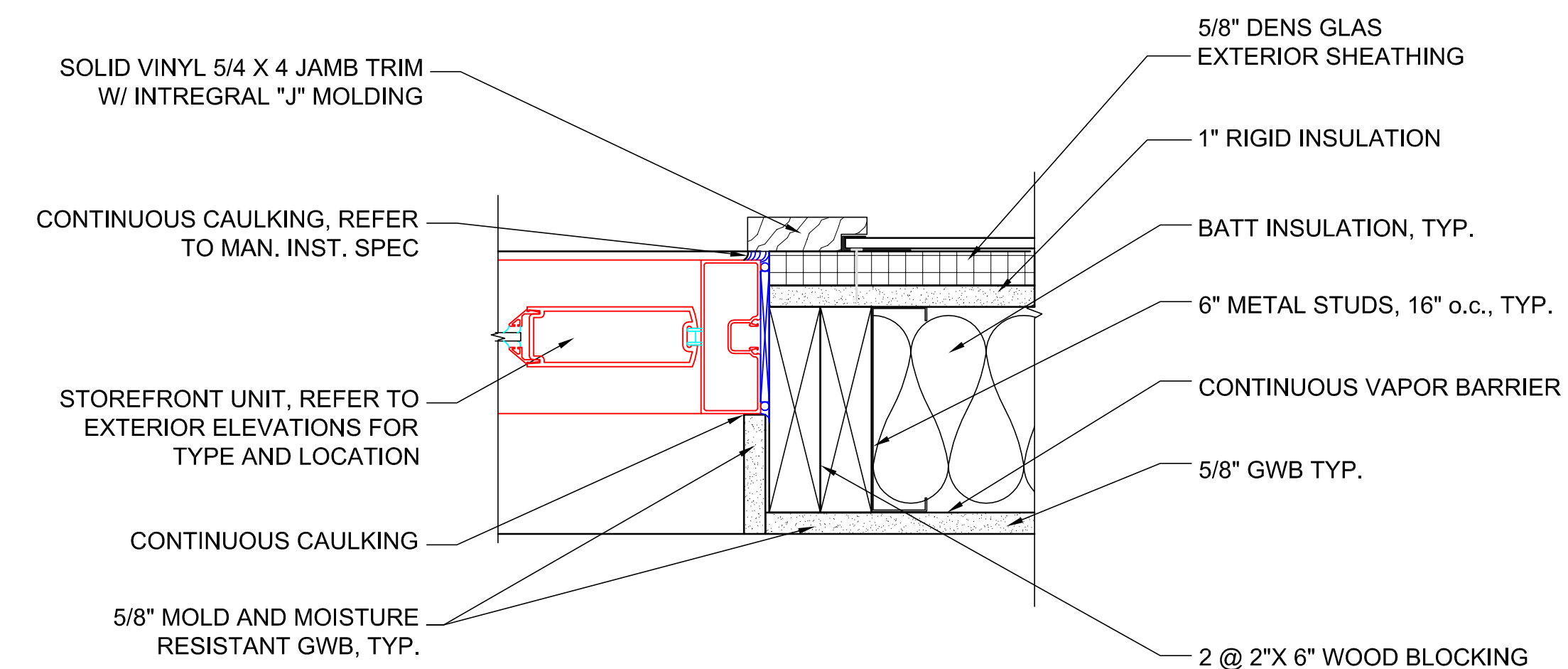
NOTE: WRAP ALL PRESSURE TREATED LUMBER WITH BITUTHANE PRODUCT THAT CONTACTS ADJACENT METAL MATERIALS AND USE STAINLESS FASTENERS FOR CONNECTION TO PRESSURE TREATED LUMBER



5 CMU WINDOW JAMB DETAIL
 SCALE: 3" = 1'-0"



9 BATHROOM/RES ROOM THRESHOLD DET
 SCALE: 3" = 1'-0"



11 ALUM DOOR JAMB DETAIL
 SCALE: 3" = 1'-0"

NOTE: WRAP ALL PRESSURE TREATED LUMBER WITH BITUTHANE PRODUCT THAT CONTACTS ADJACENT METAL MATERIALS AND USE STAINLESS FASTENERS FOR CONNECTION TO PRESSURE TREATED LUMBER

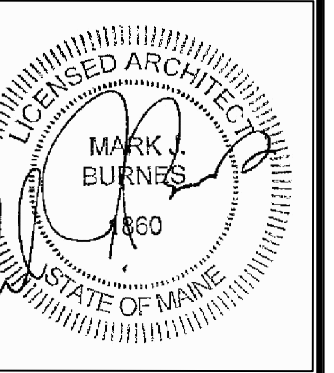
REVISIONS:

FORESIDE ARCHITECTS
 LLC

PO BOX 66736 Phone: 207-781-3344
 FALMOUTH, ME 04105
 Online @ foresidearchitects.com

Project Status:
 BID SET
 NOT FOR
 CONSTRUCTION

Project Number:
 SR0712



Seaside Rehabilitation
 and Health Care Center
 850 Baxter Blvd
 Portland, ME

Drawing Name:
 DOOR AND WINDOW
 JAMB DETAILS

Scale:
 3" = 1'-0"

Date:
 10/29/12

SHEET

A7.5