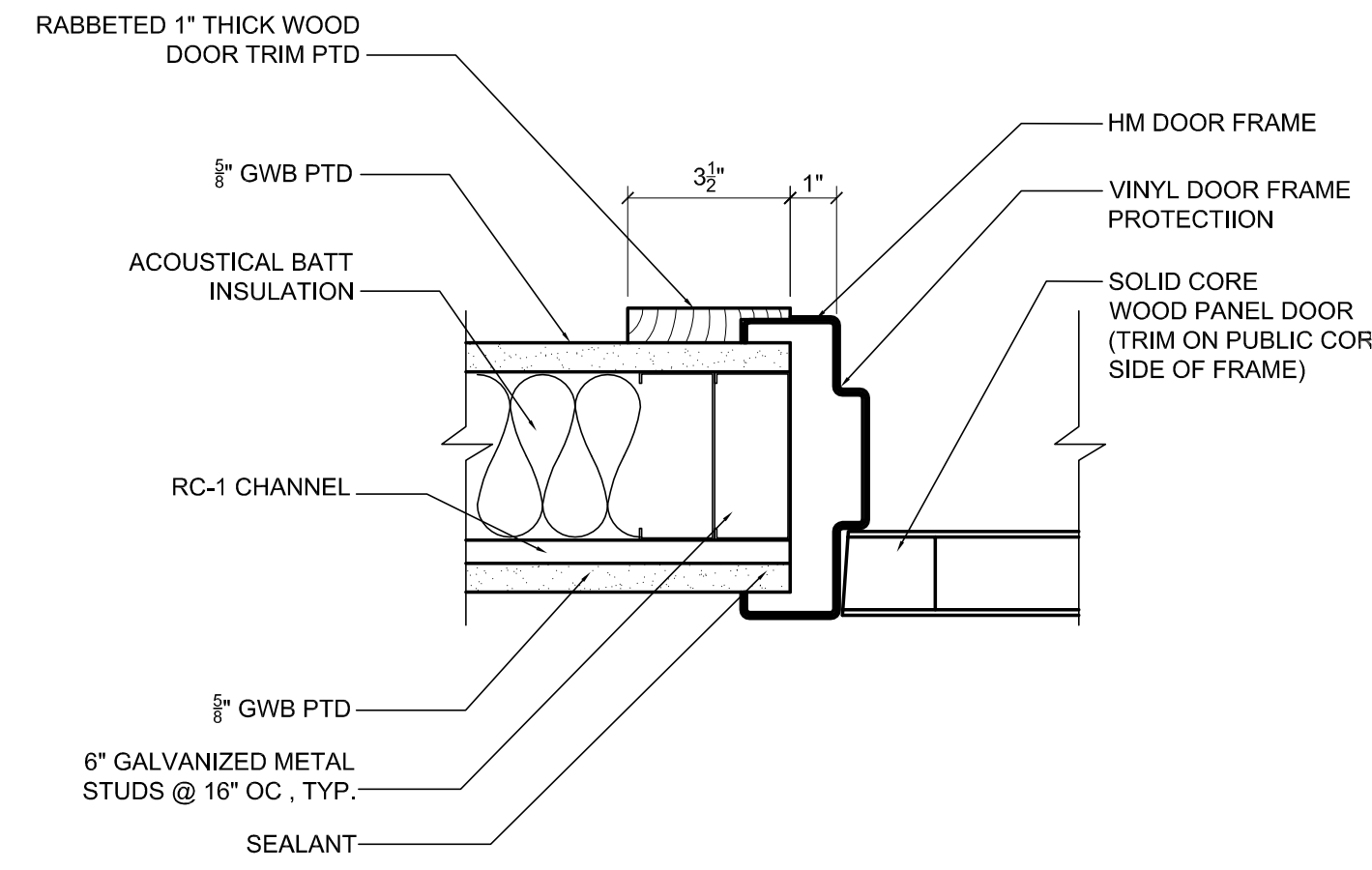
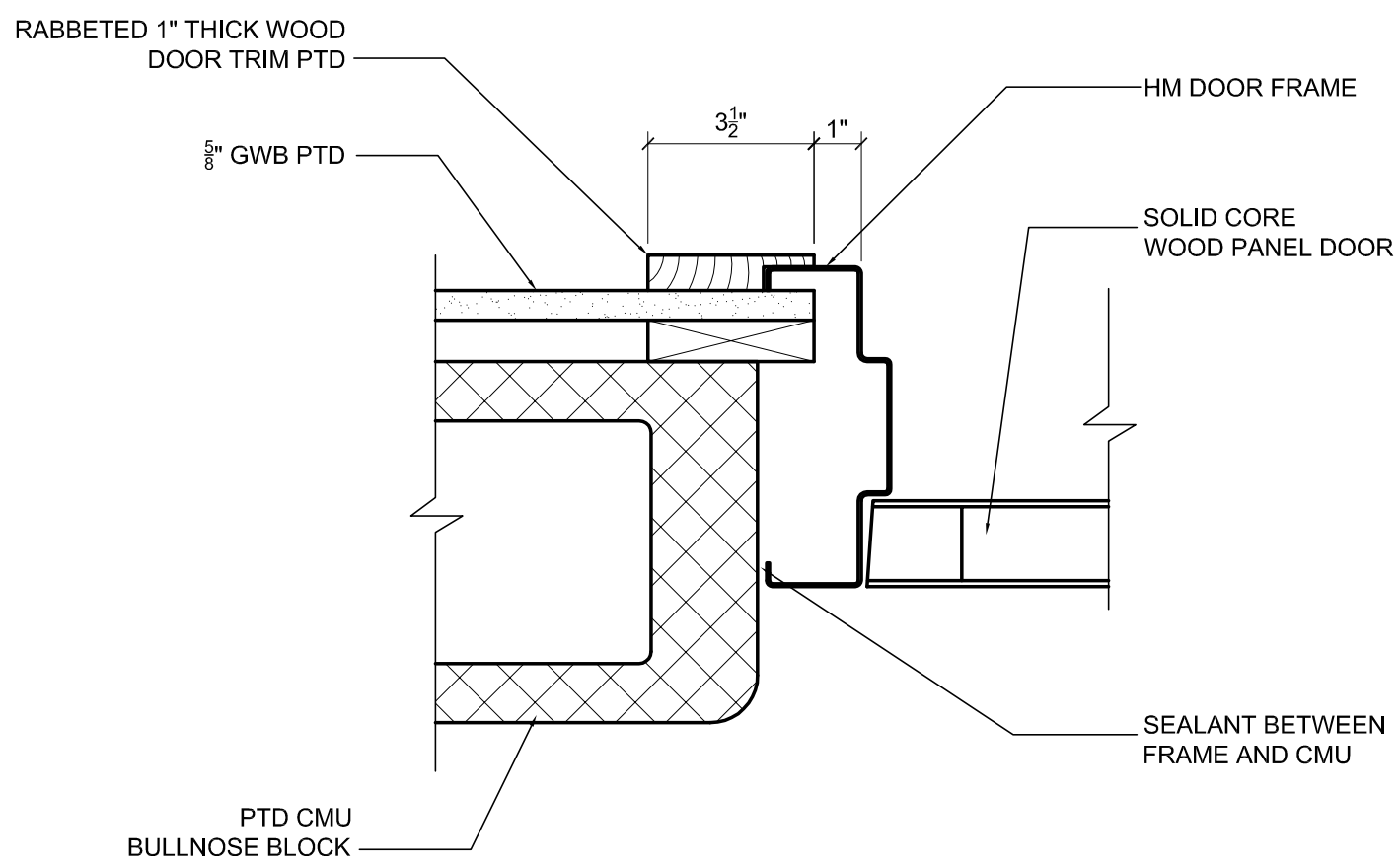


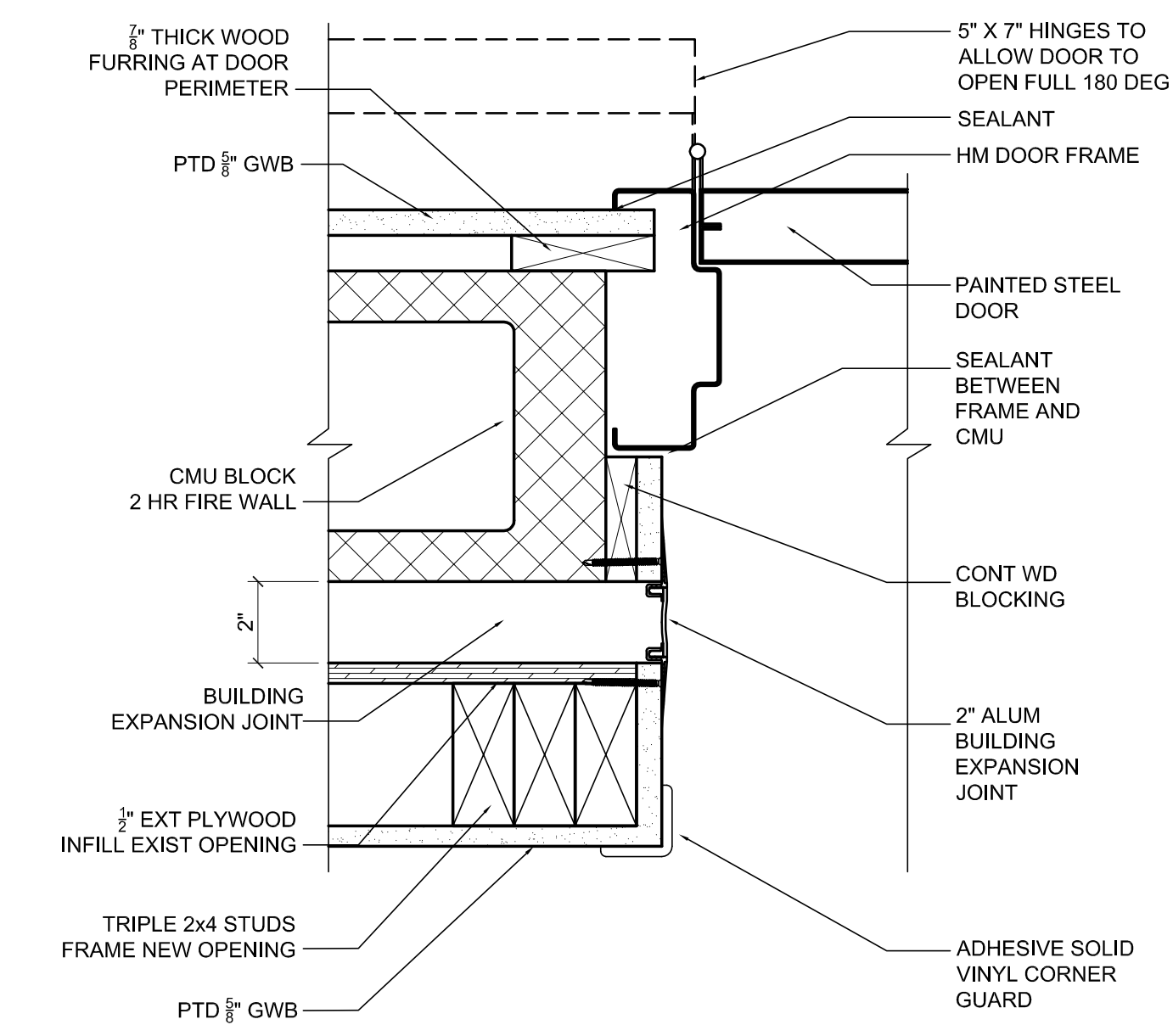
**1** TYP INT DOOR JAMB  
SCALE: 3" = 1'-0"



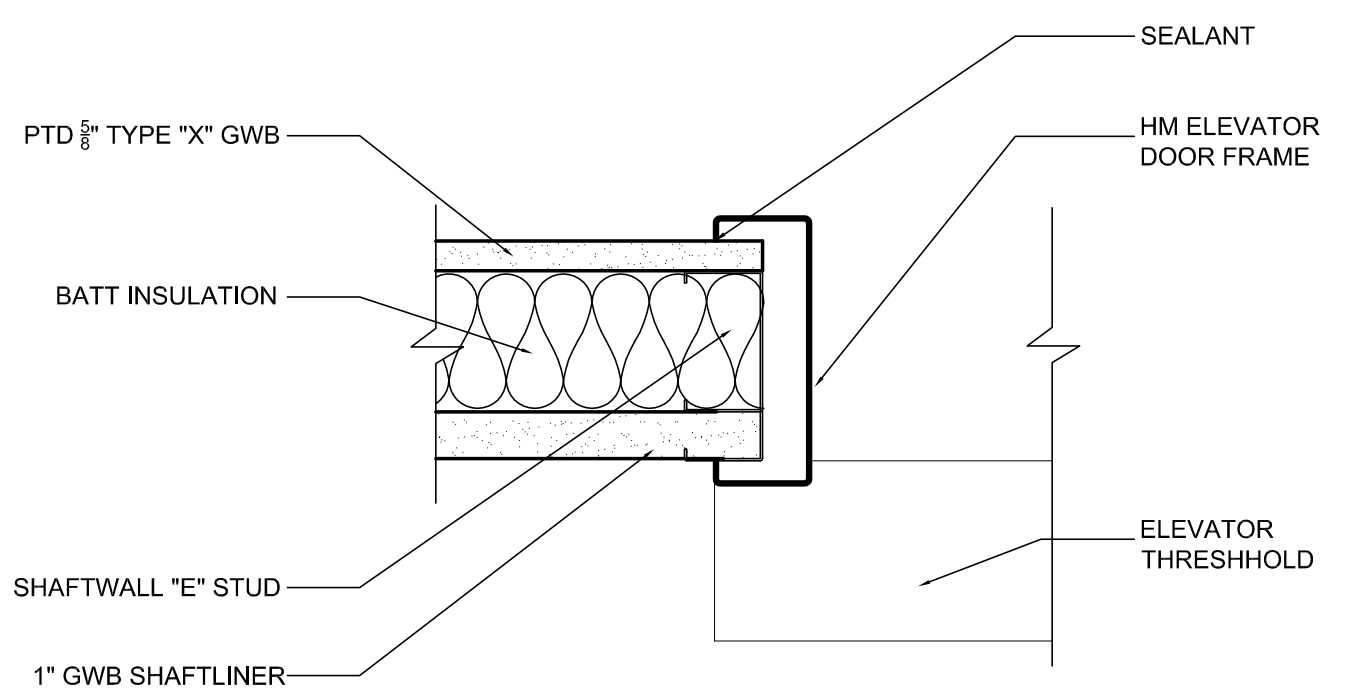
**2** RES RM DOOR JAMB  
SCALE: 3" = 1'-0"



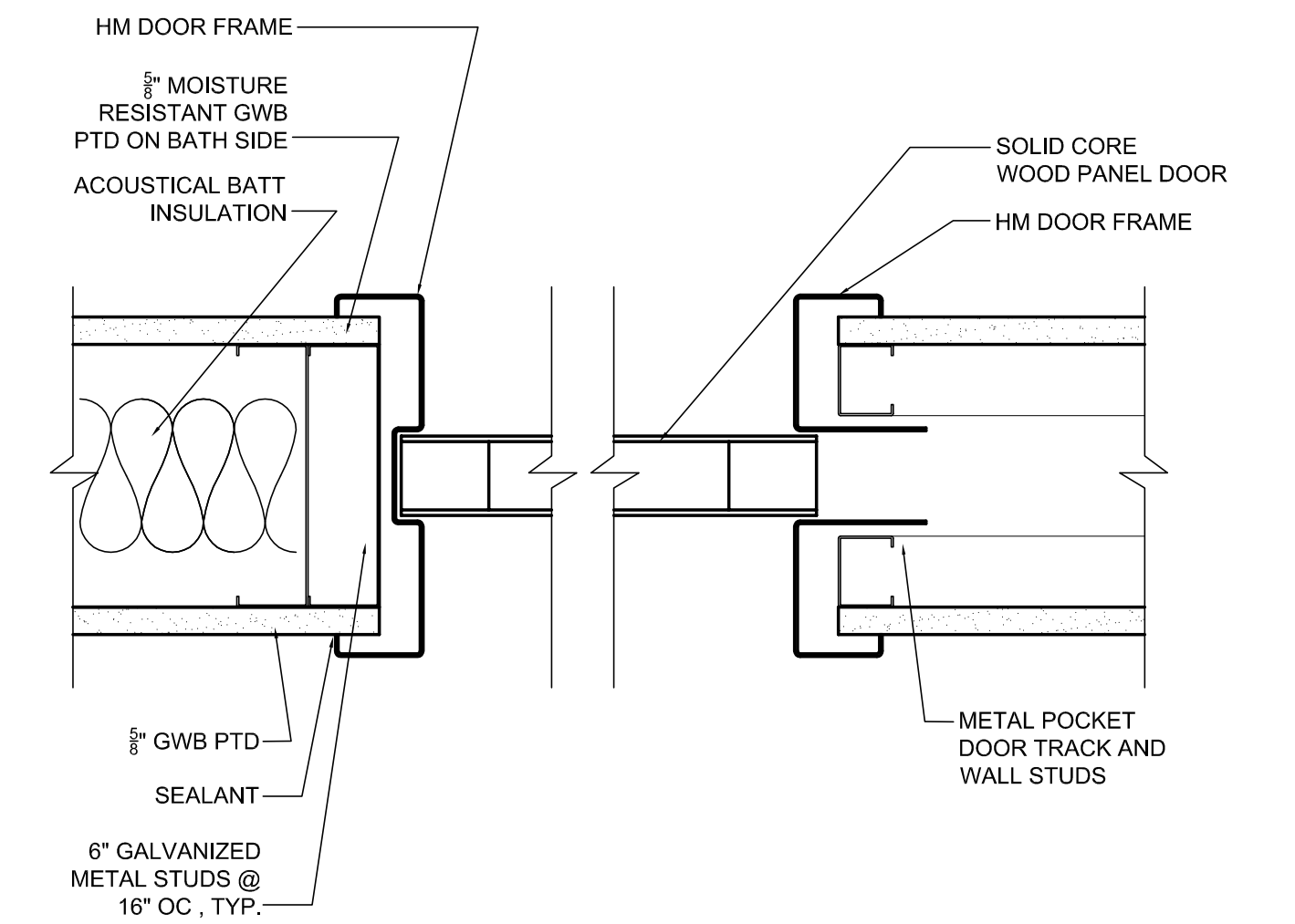
**3** STAIR DOOR JAMB  
SCALE: 3" = 1'-0"



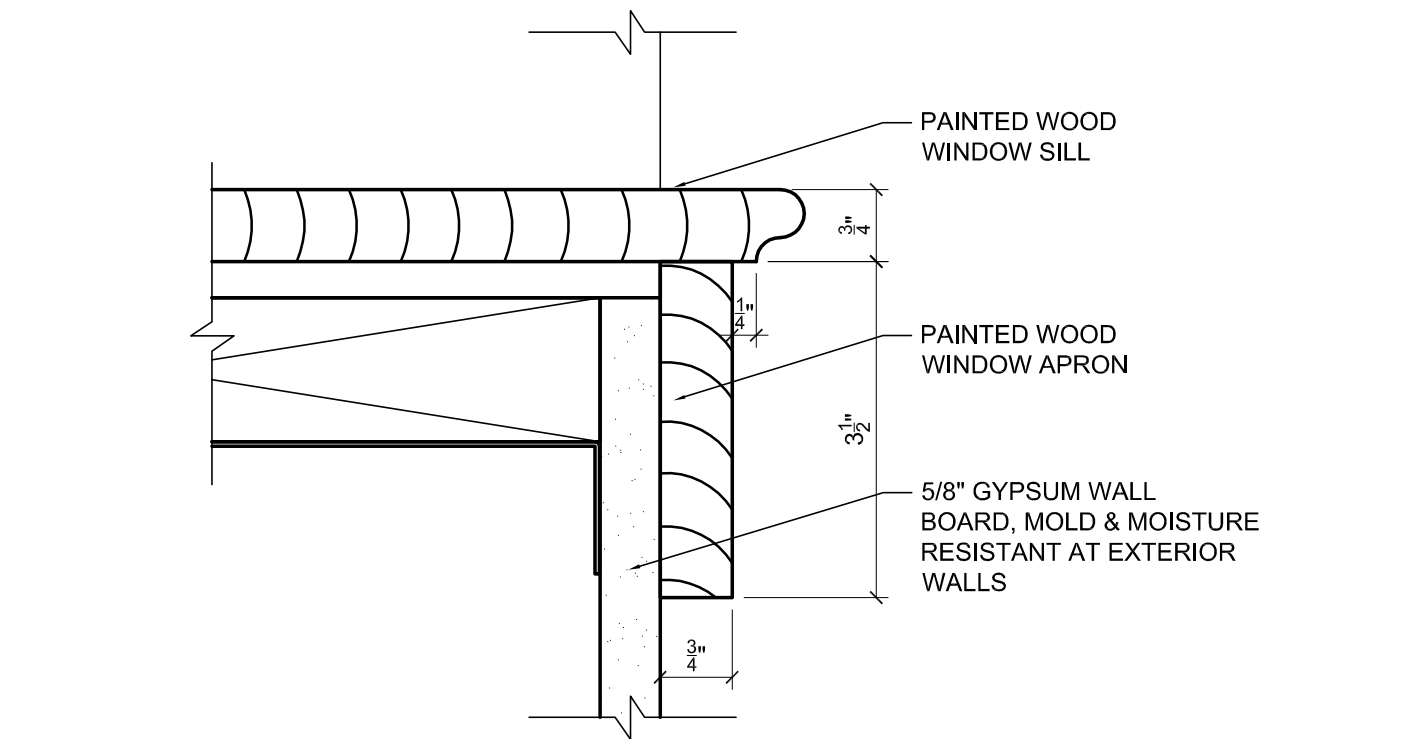
**4** DOOR JAMB @ EXP JOINT  
SCALE: 3" = 1'-0"



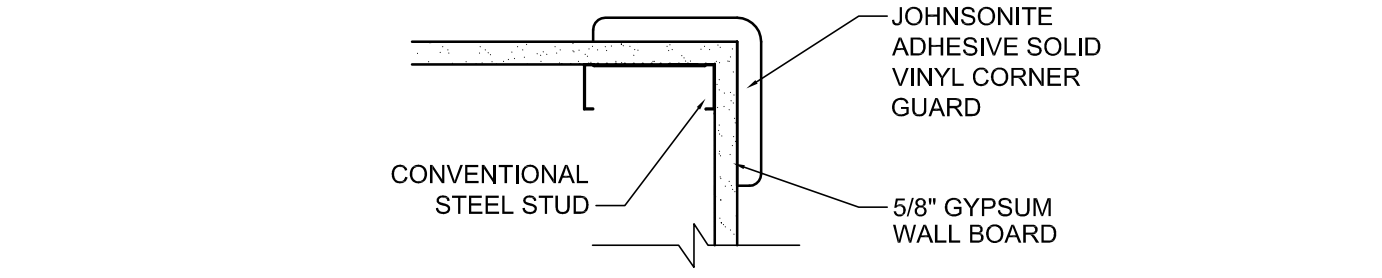
**5** ELEVATOR DR JAMB  
SCALE: 3" = 1'-0"



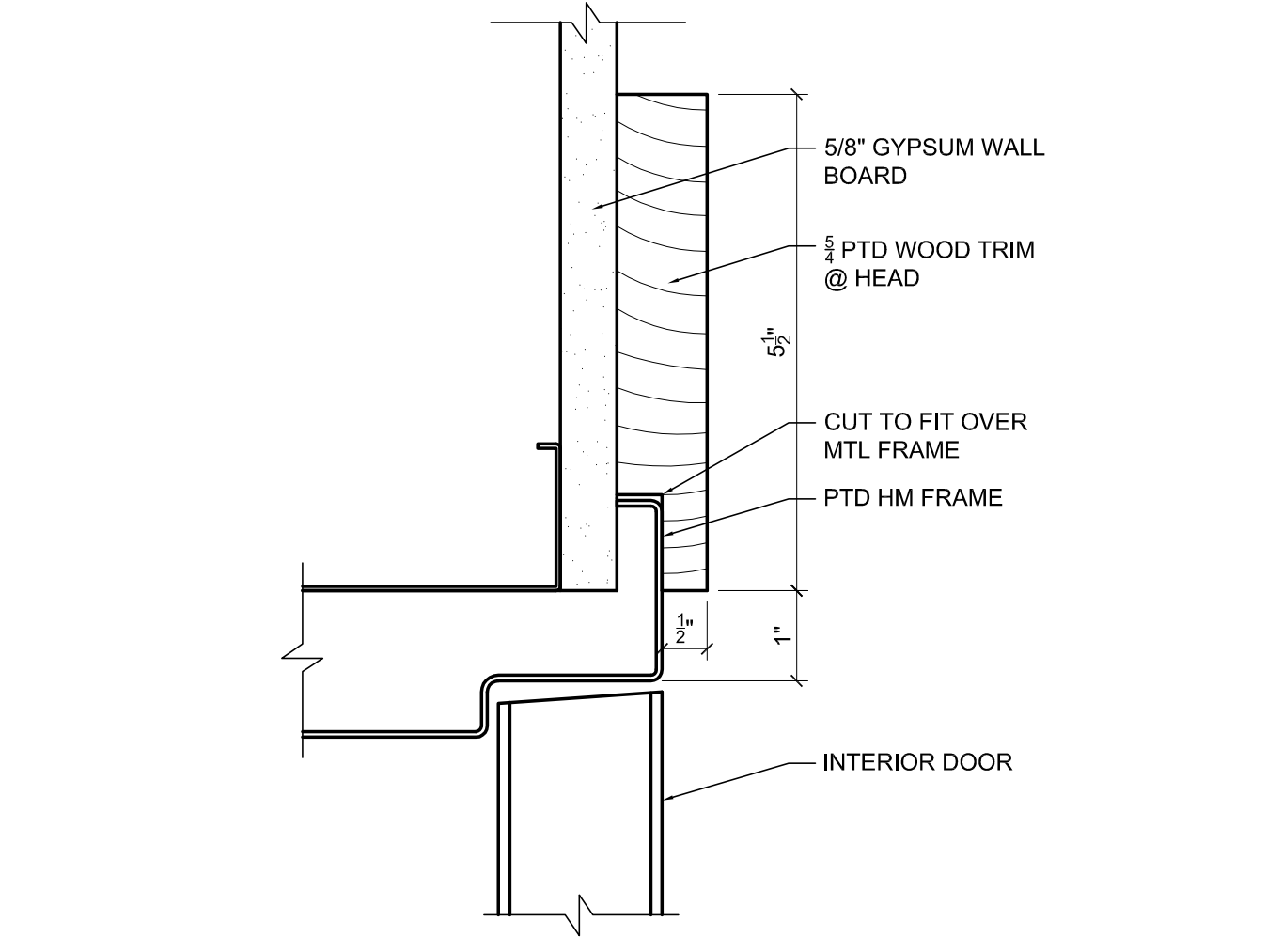
**6** POCKET DOOR JAMBS  
SCALE: 3" = 1'-0"



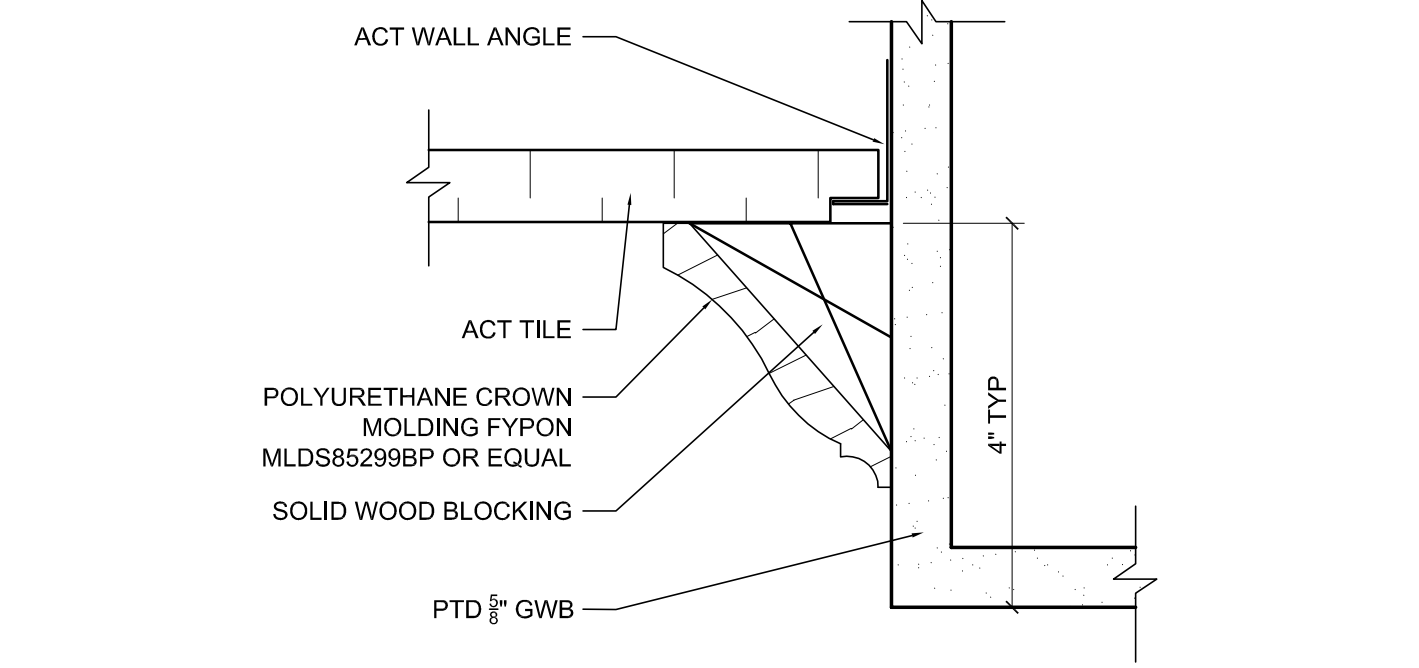
**7** WINDOW SILL DETAIL  
SCALE: 6" = 1'-0"



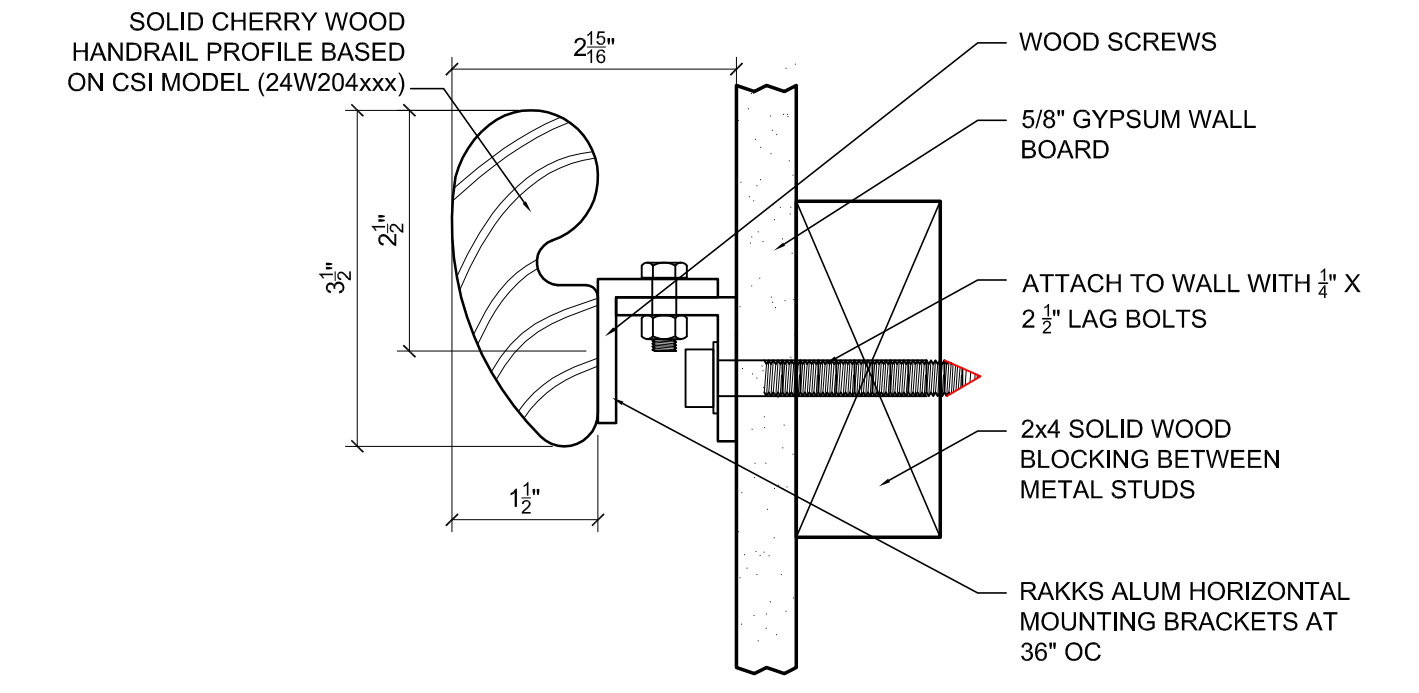
**8** CORNER GUARD DETAIL  
SCALE: 6" = 1'-0"



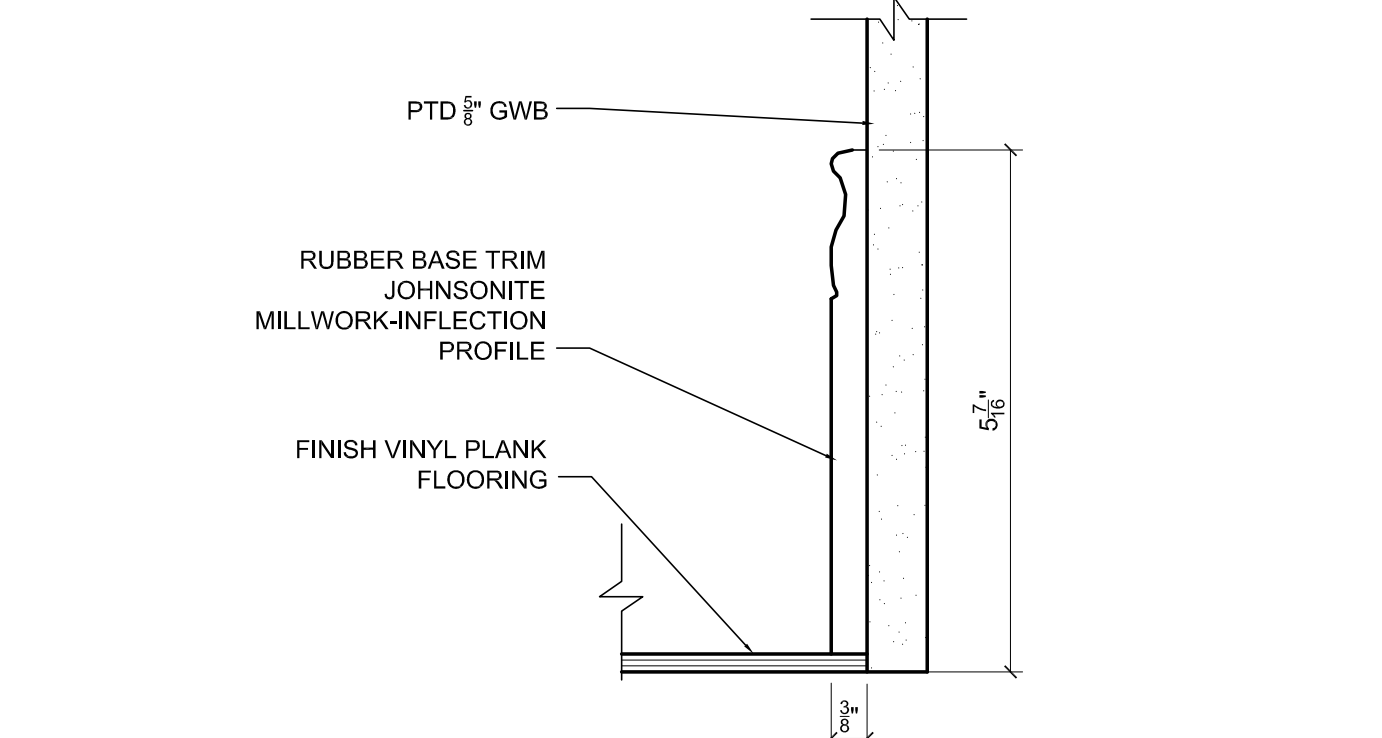
**9** INT DOOR HEAD TRIM  
SCALE: 6" = 1'-0"



**10** CROWN MOLDING DETAIL  
SCALE: 6" = 1'-0"



**11** HANDRAIL DETAIL  
SCALE: 6" = 1'-0"



**12** BASEBOARD DETAIL  
SCALE: 6" = 1'-0"

COPYRIGHT 2012  
REUSE OR REPRODUCTION OF THE  
CONTENTS OF THIS DOCUMENT IS NOT  
PERMITTED WITHOUT WRITTEN  
PERMISSION OF FORESIDE ARCHITECTS

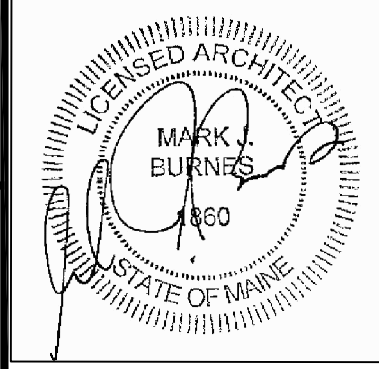
**GENERAL NOTES:**

**REVISIONS:**

**FORESIDE ARCHITECTS**  
LLC

PO BOX 66736 Phone: 207-781-3344  
FALMOUTH, ME 04105  
Online @ [foresidearchitects.com](http://foresidearchitects.com)

Project Status:  
BID SET  
NOT FOR  
CONSTRUCTION



Project Number:  
SR0712

Seaside Rehabilitation  
and Health Care Center  
850 Baxter Blvd  
Portland, ME

Drawing Name:  
INTERIOR DOOR  
JAMB DETAILS

Scale:  
AS NOTED

SHEET

Date:  
10/29/12

**A7.3**