

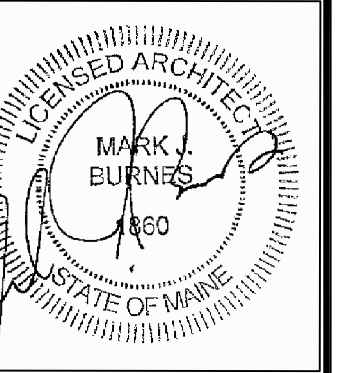
GENERAL NOTES:

REVISIONS:



PO BOX 66736 Phone: 207-781-3344
 FALMOUTH, ME 04105
 Online @ foresidearchitects.com

Project Status:
 BID SET
 NOT FOR
 CONSTRUCTION



Project Number:
 SR0712

Seaside Rehabilitation
 and Health Care Center
 850 Baxter Blvd
 Portland, ME

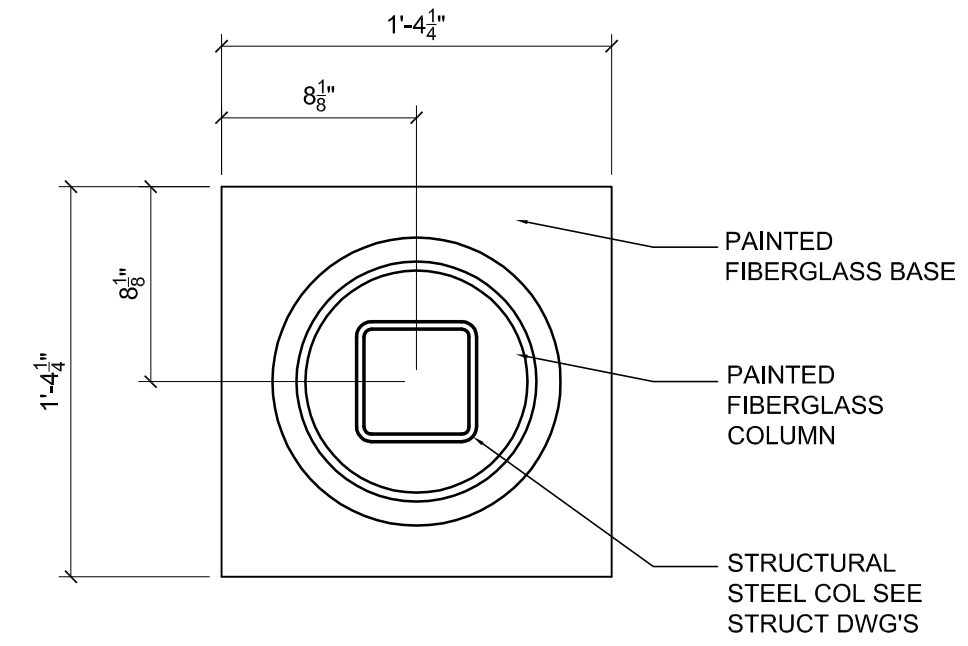
Drawing Name:
 DETAILS

Scale:
 1" = 1'-0"

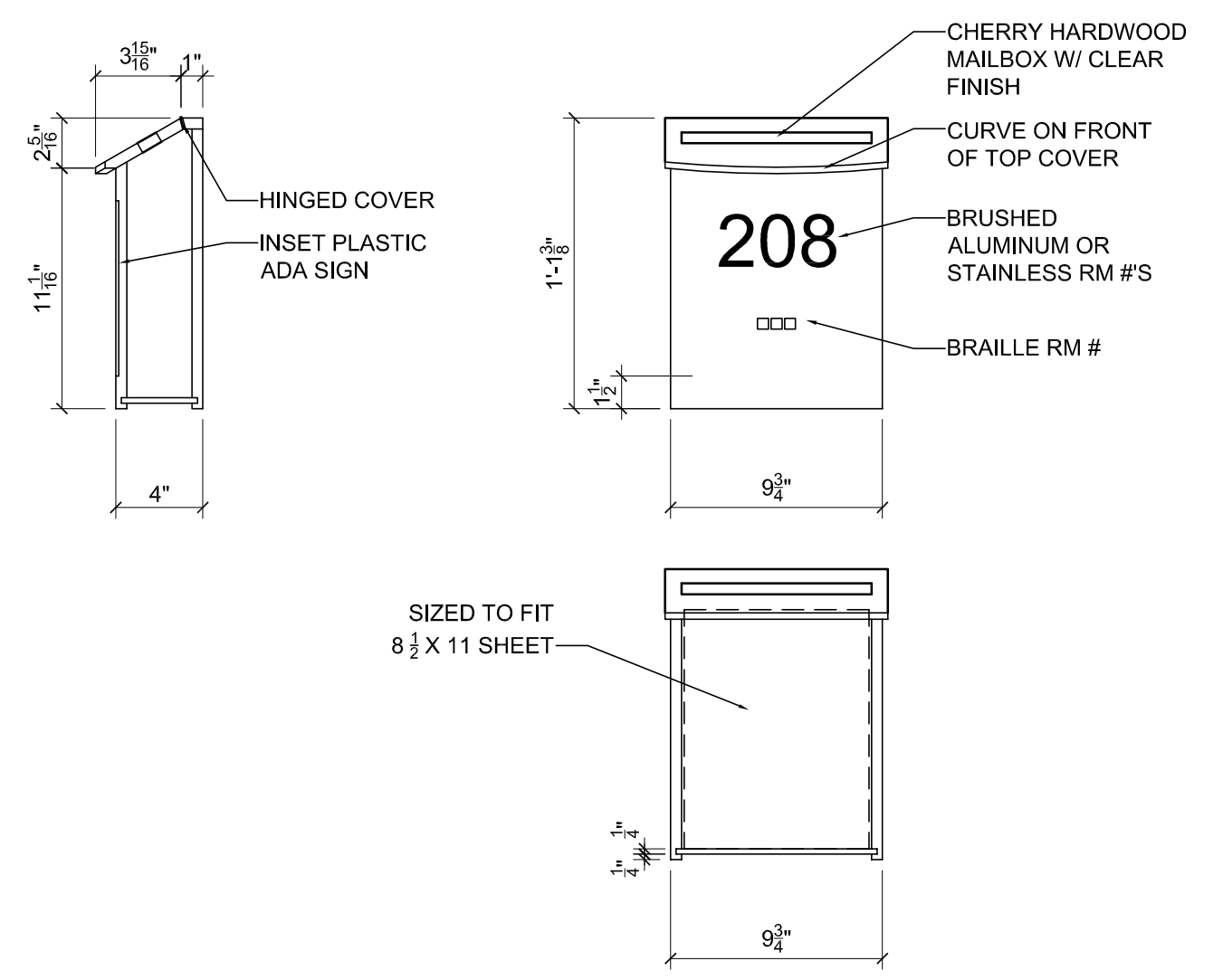
SHEET

Date:
 10/29/12

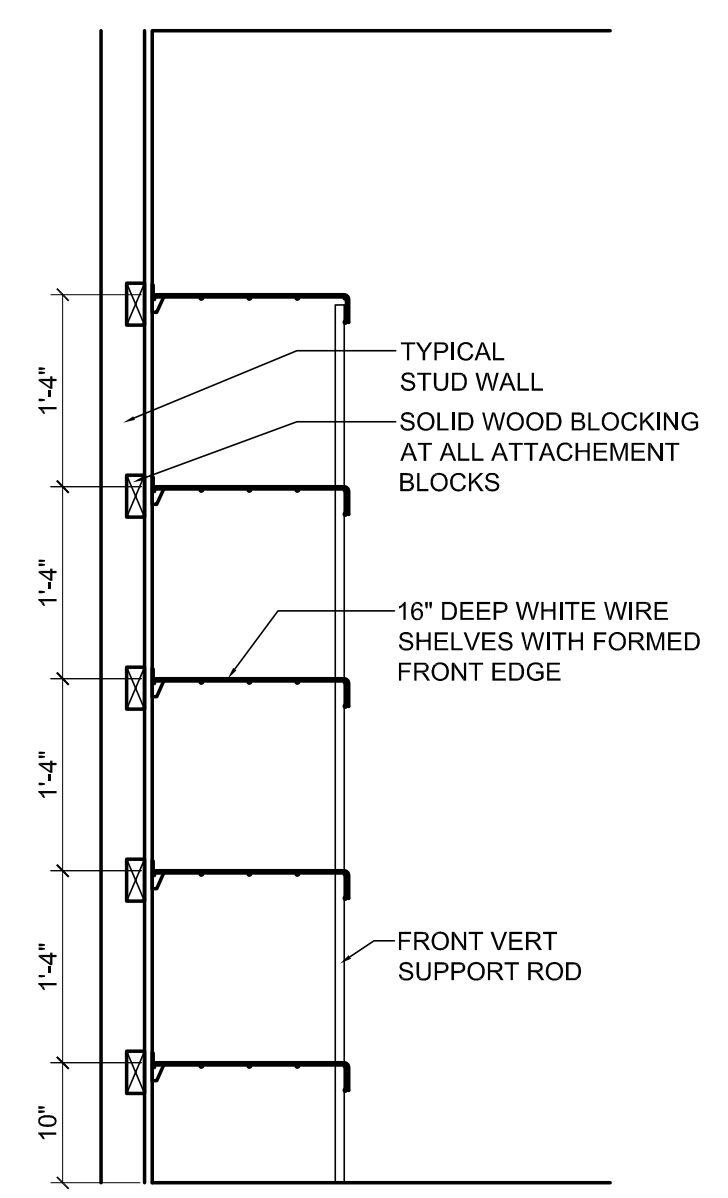
A6.6



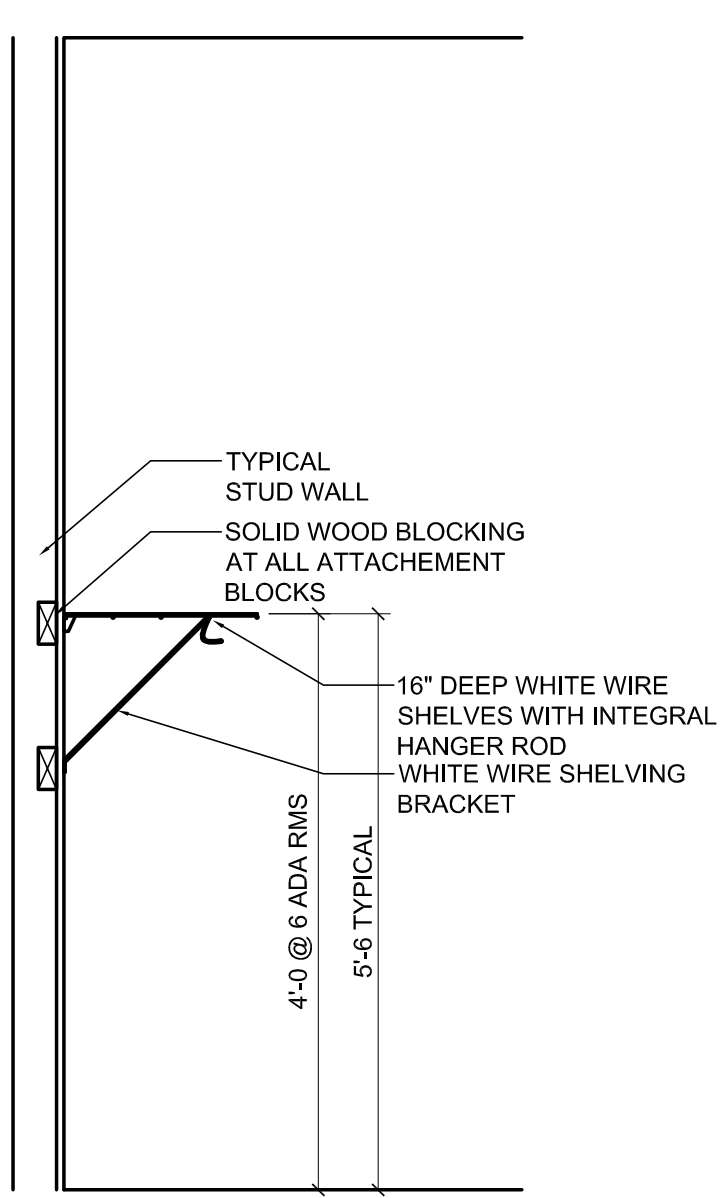
4 INT COLUMN DET
 SCALE: 1 1/2" = 1'-0"



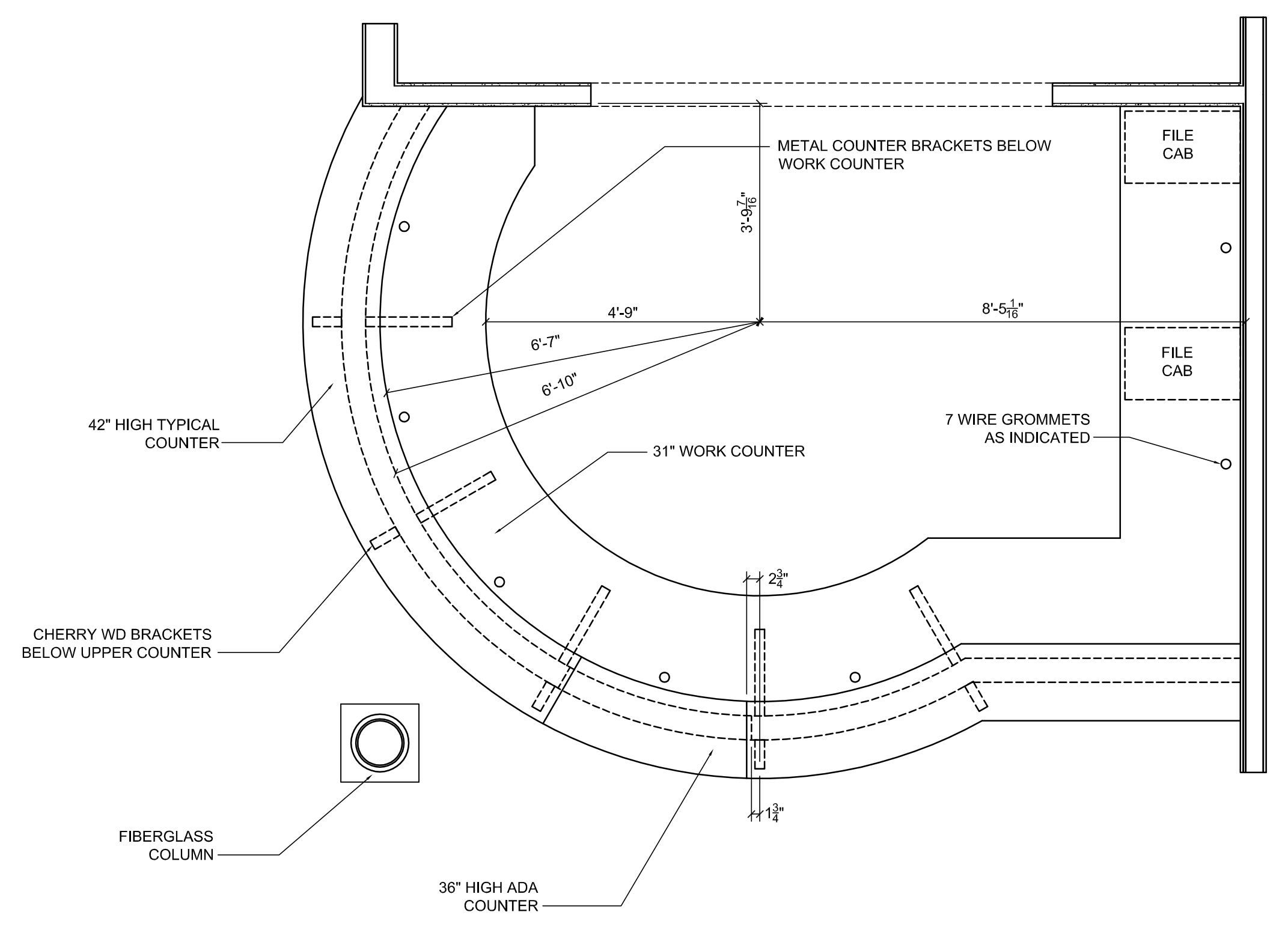
3 RM MAILBOX DET
 SCALE: 1 1/2" = 1'-0"



2 CLEAN RM SHELVING
 SCALE: 3/4" = 1'-0"



1 RES RM CLO SHELF
 SCALE: 3/4" = 1'-0"



9 NURSES STATION PLAN DETAIL
 SCALE: 1/2" = 1'-0"