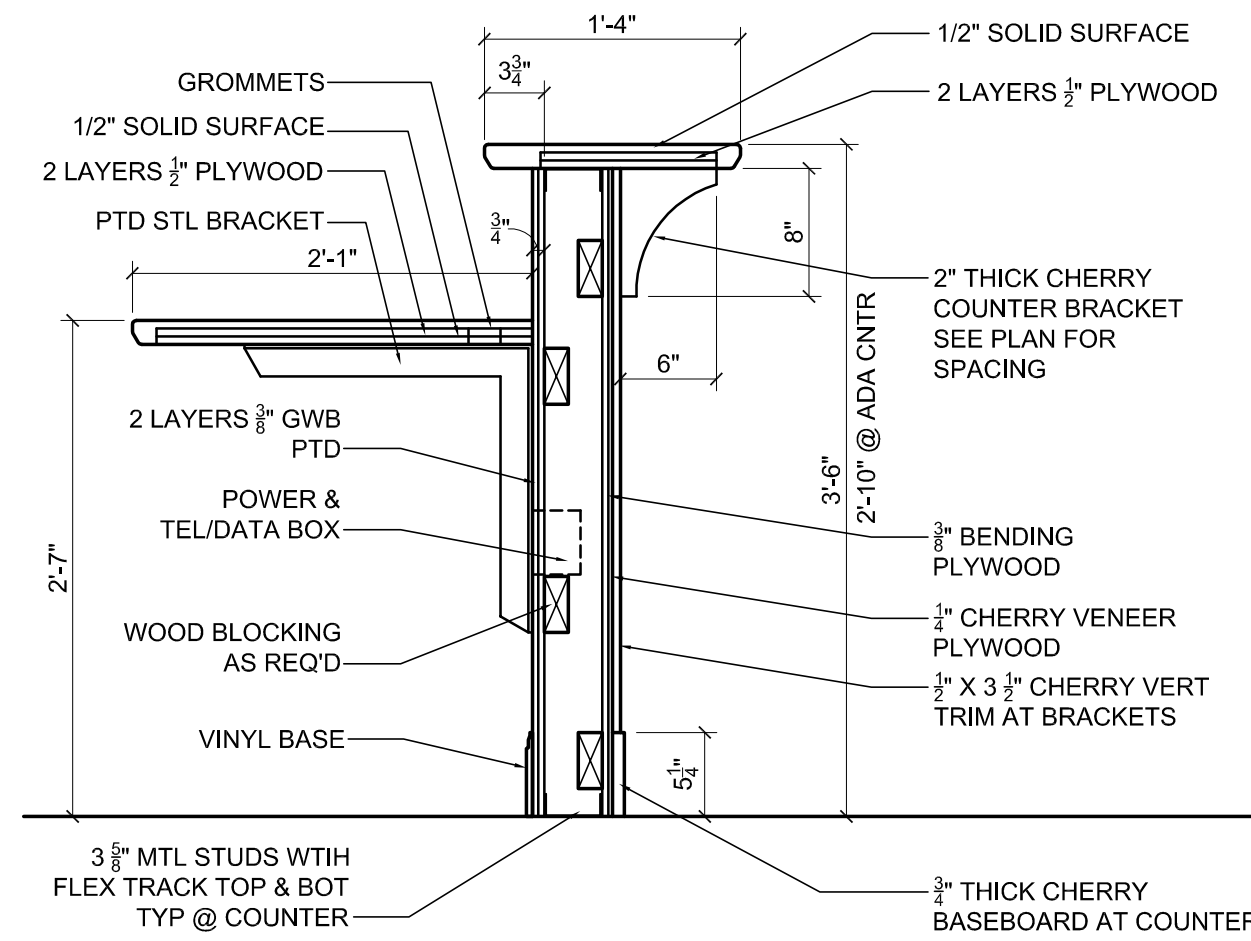
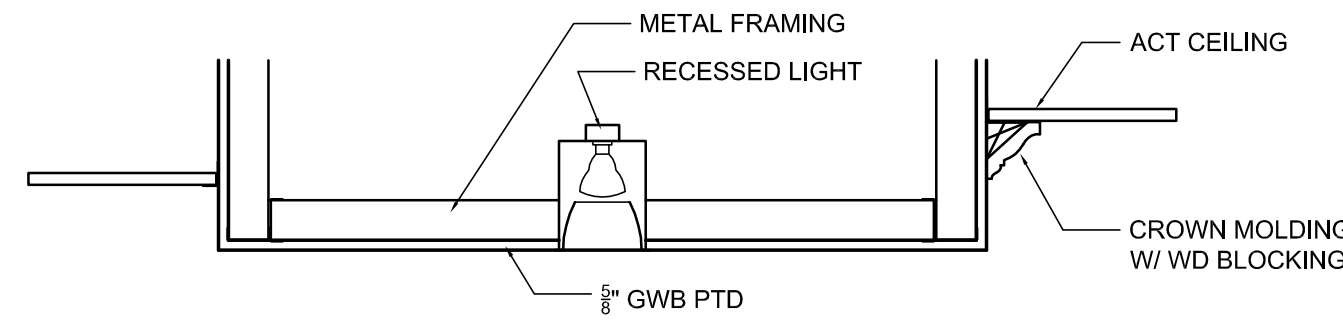
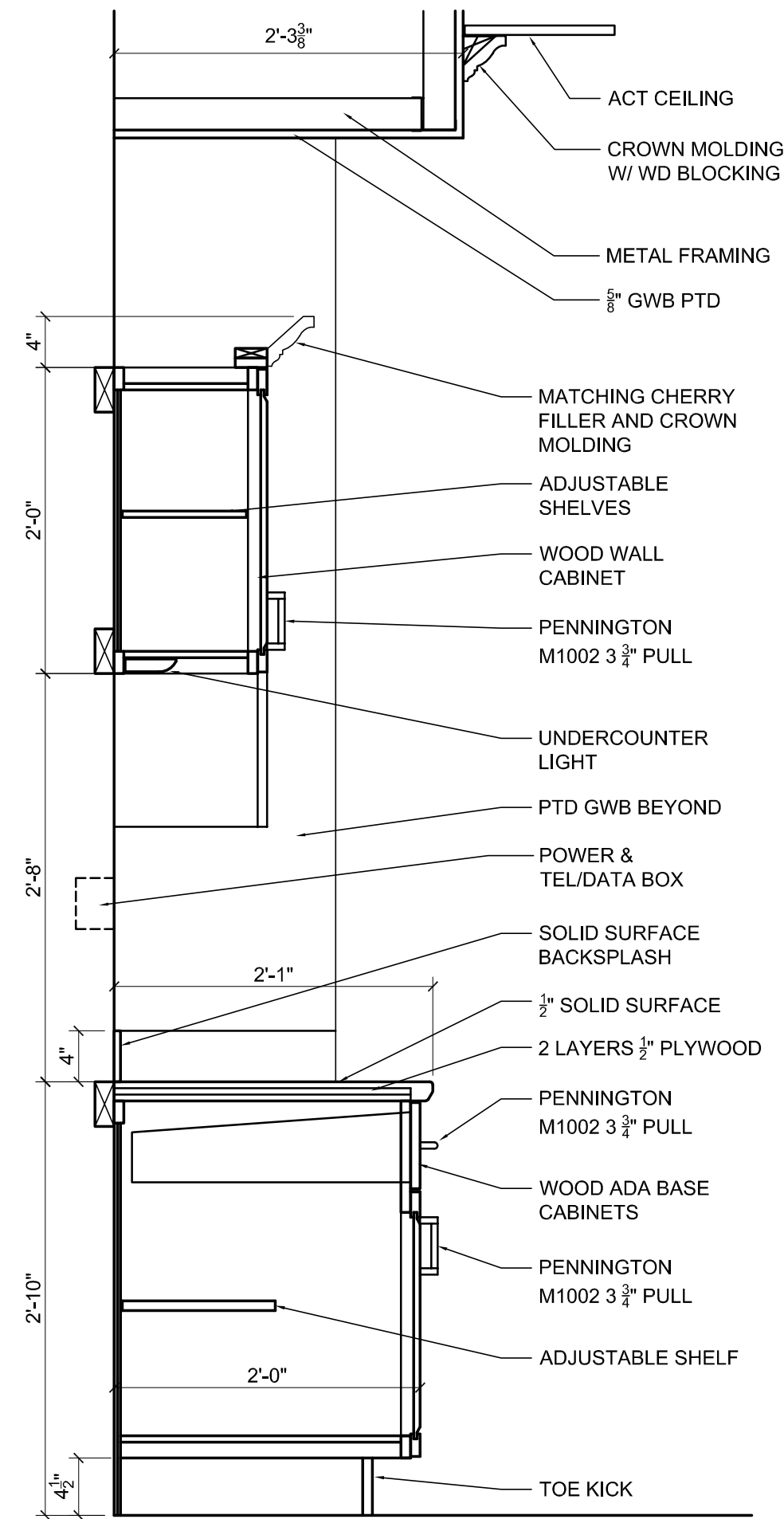


GENERAL NOTES:

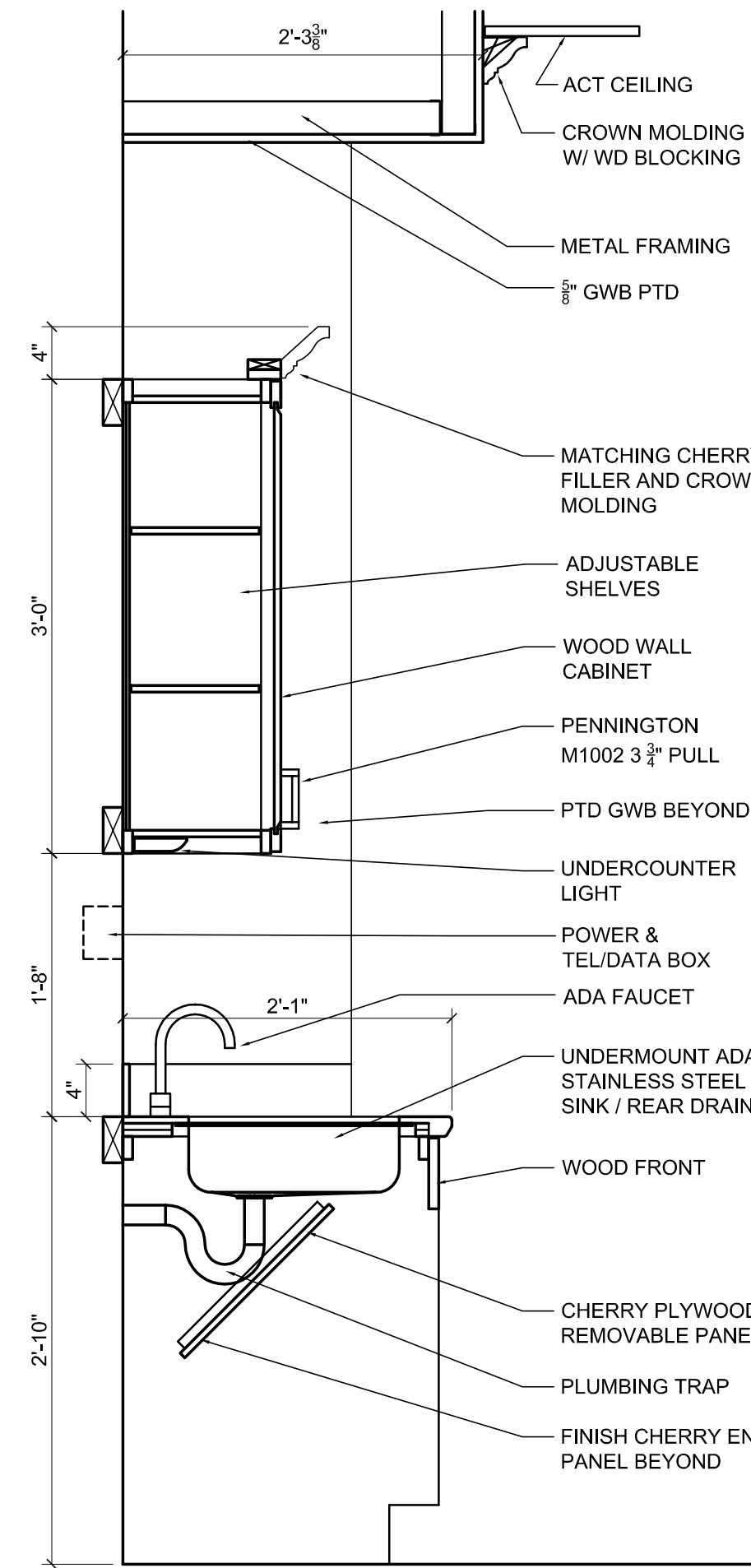
REVISIONS:



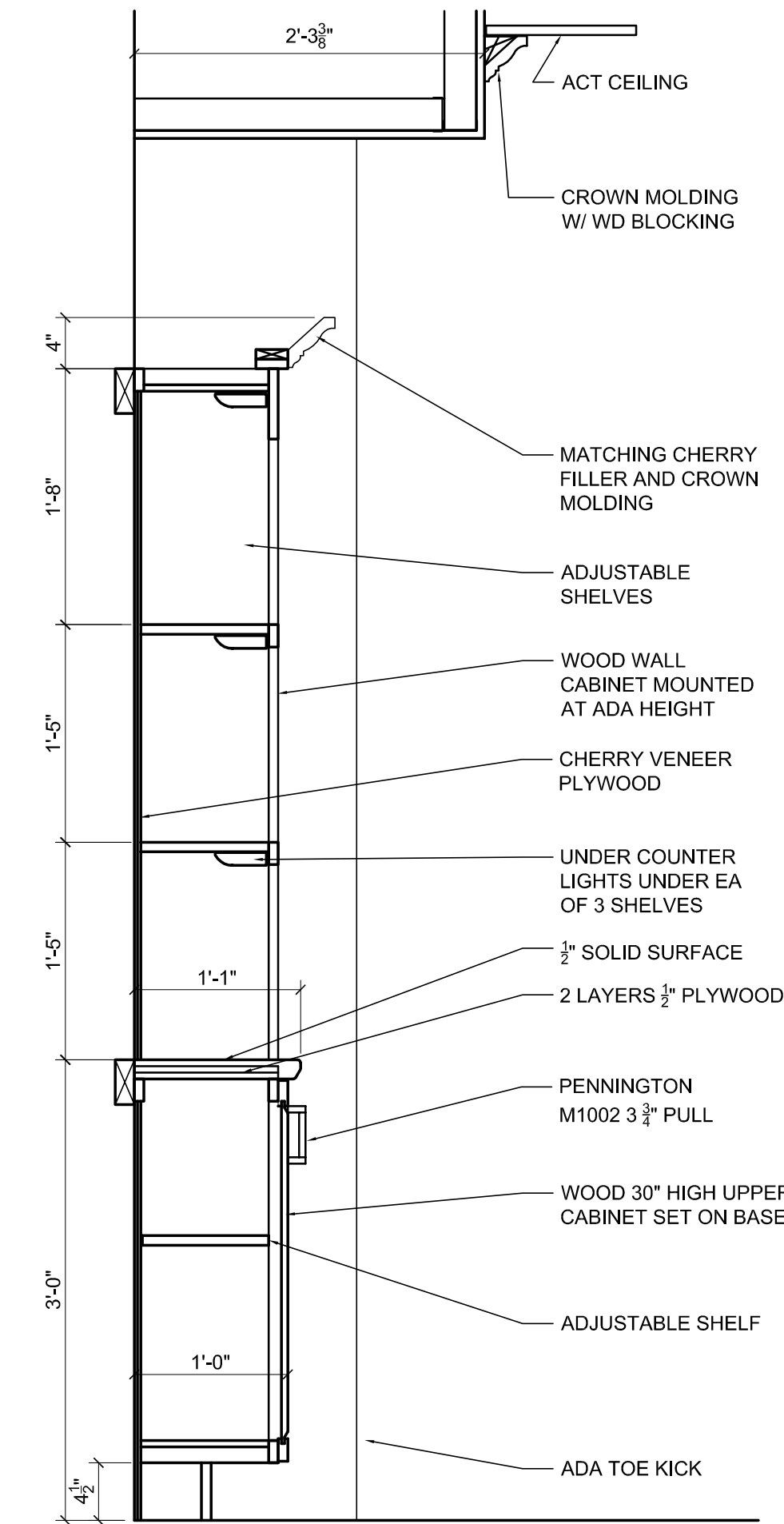
1 NURSE STATION
 SCALE: 1" = 1'-0"



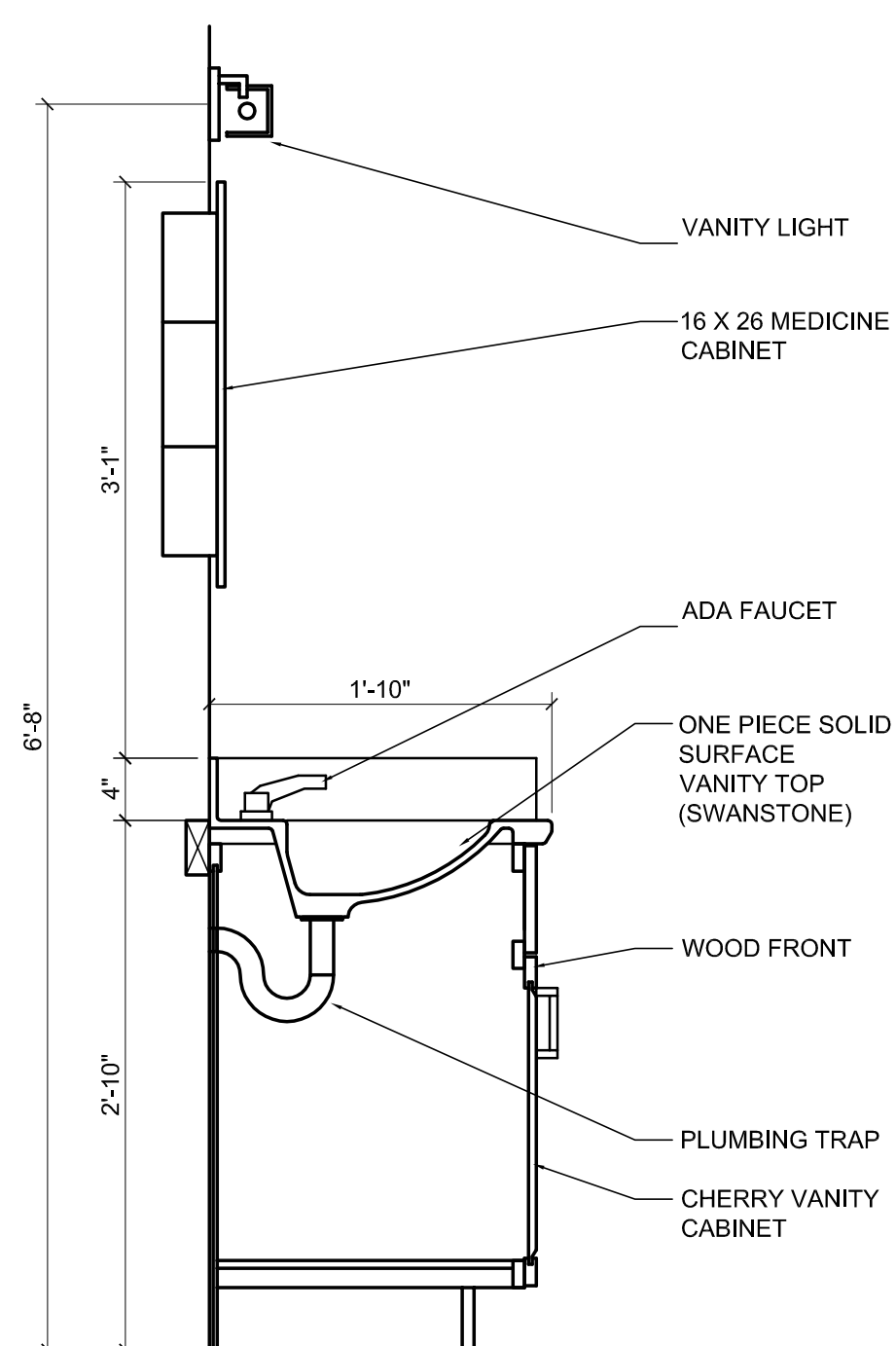
2 TYP NOURISHMENT
 SCALE: 1" = 1'-0"



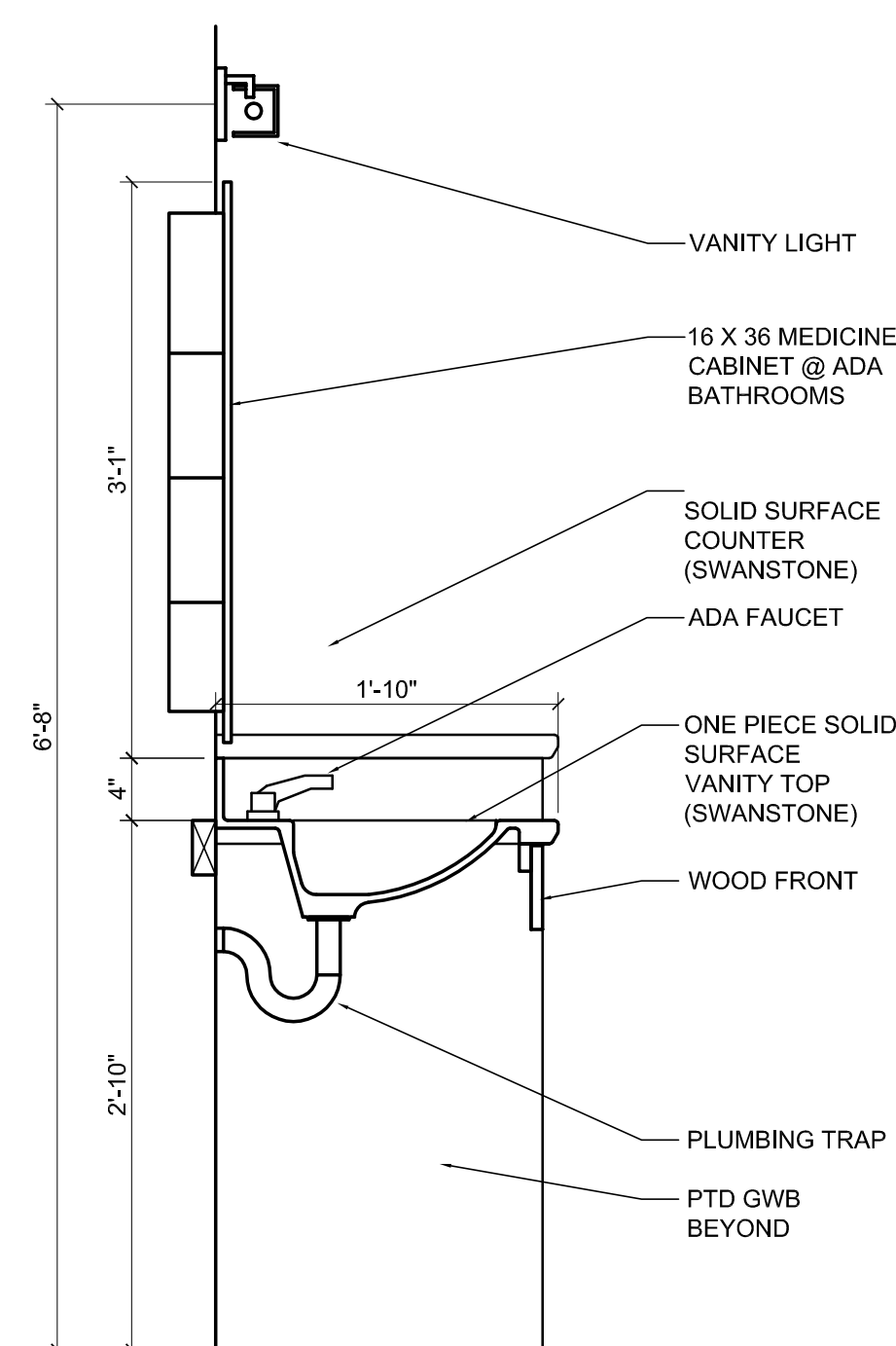
3 NOURISHMENT SINK
 SCALE: 1" = 1'-0"



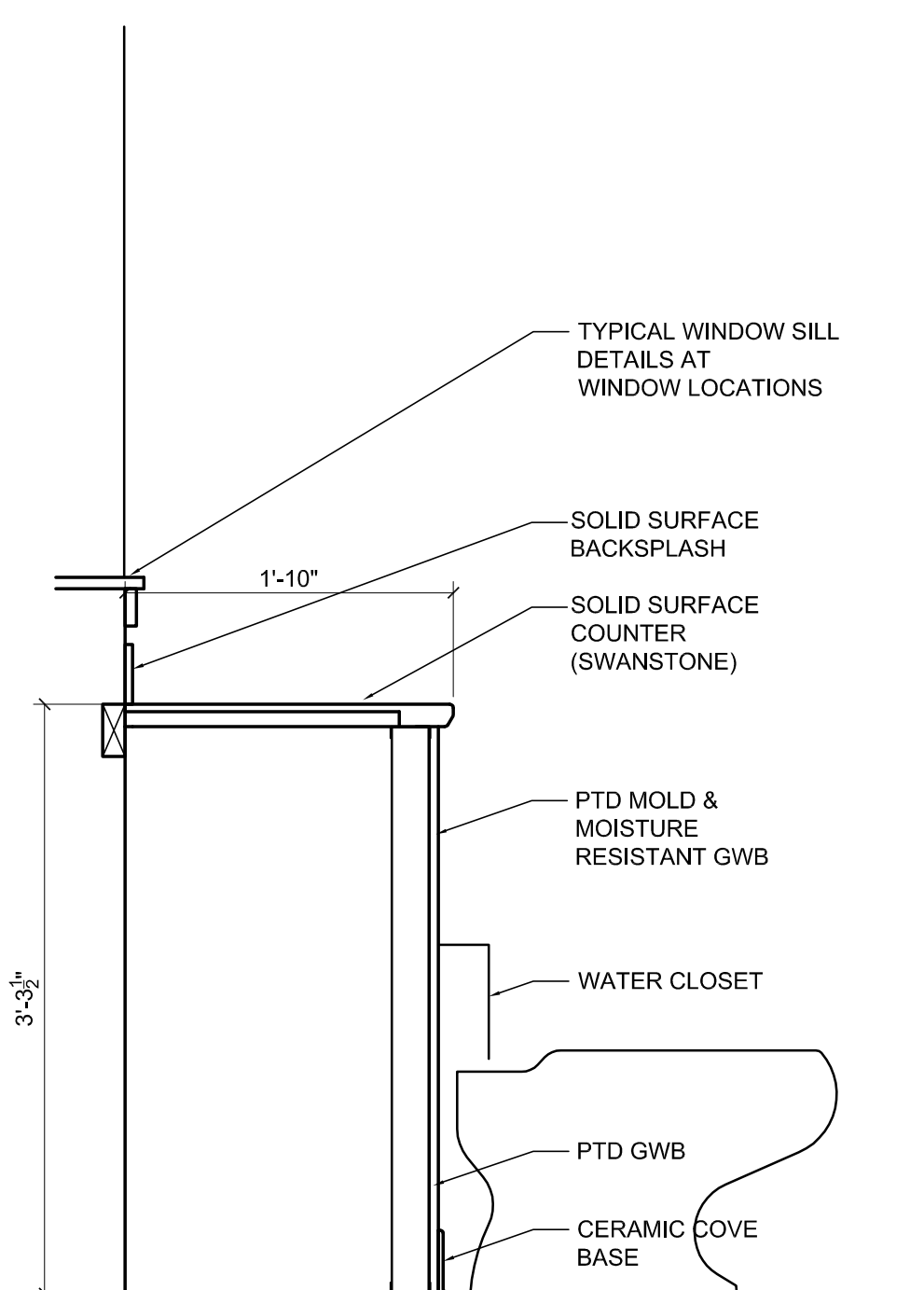
4 LIBRARY
 SCALE: 1" = 1'-0"



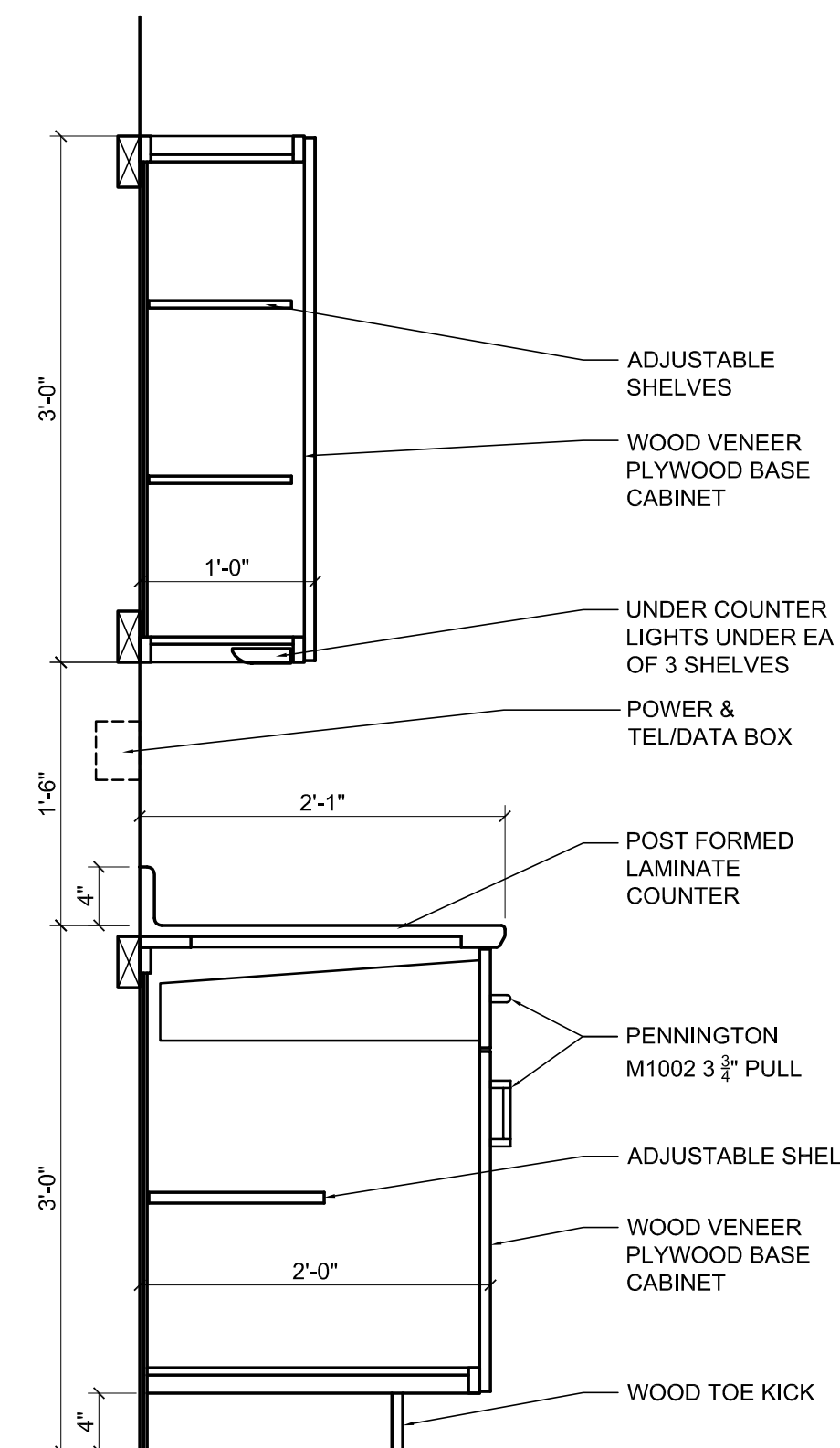
5 TYP LAVATORY
 SCALE: 1" = 1'-0"



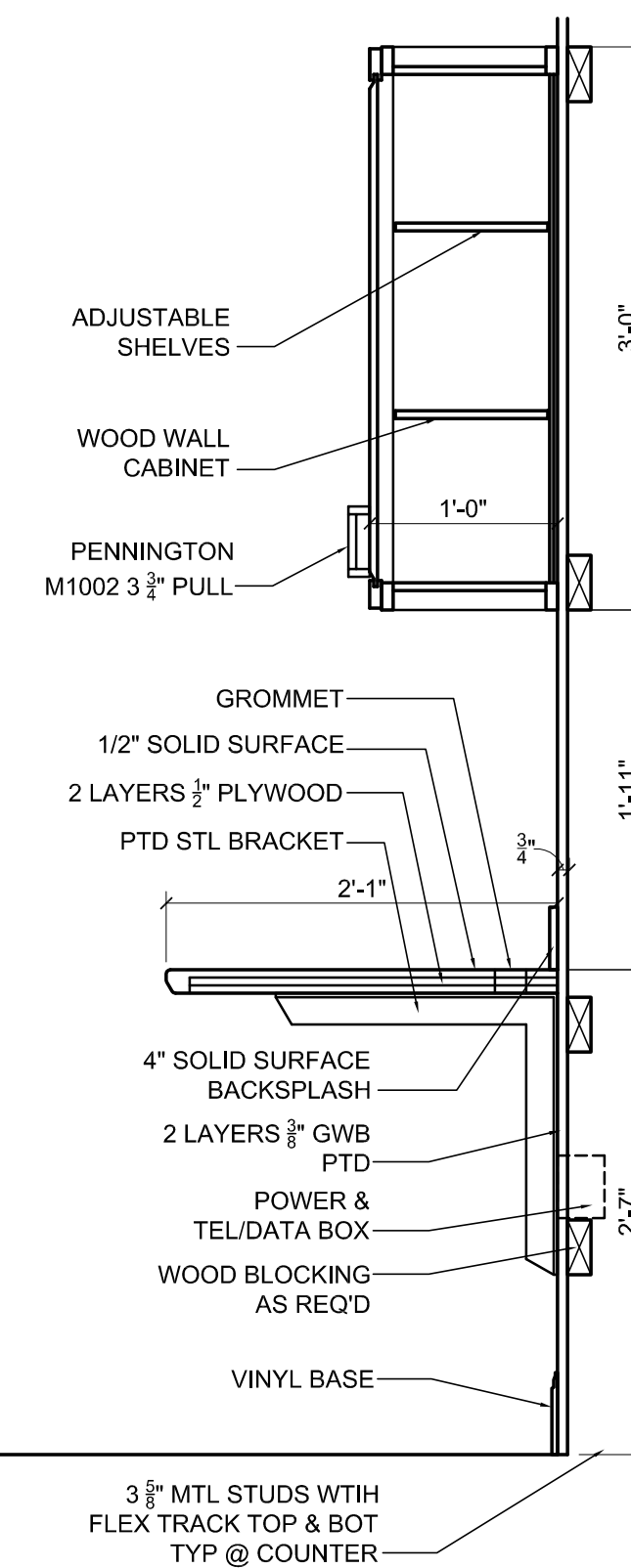
6 HC LAV
 SCALE: 1" = 1'-0"



7 HC WC COUNTER
 SCALE: 1" = 1'-0"



8 TYP MED ROOM
 SCALE: 1" = 1'-0"



9 TYP CHARTING
 SCALE: 1" = 1'-0"

FORESIDE ARCHITECTS
 LLC
 PO BOX 66736 Phone: 207-781-3344
 FALMOUTH, ME 04105
 Online @ foresidearchitects.com

Project Status:
 BID SET
 NOT FOR
 CONSTRUCTION

Project Number:
 SR0712

Seaside Rehabilitation
 and Health Care Center
 850 Baxter Blvd
 Portland, ME

Drawing Name:
 CASEWORK DETAILS

Scale:
 1" = 1'-0"

Date:
 10/29/12

SHEET
A6.5