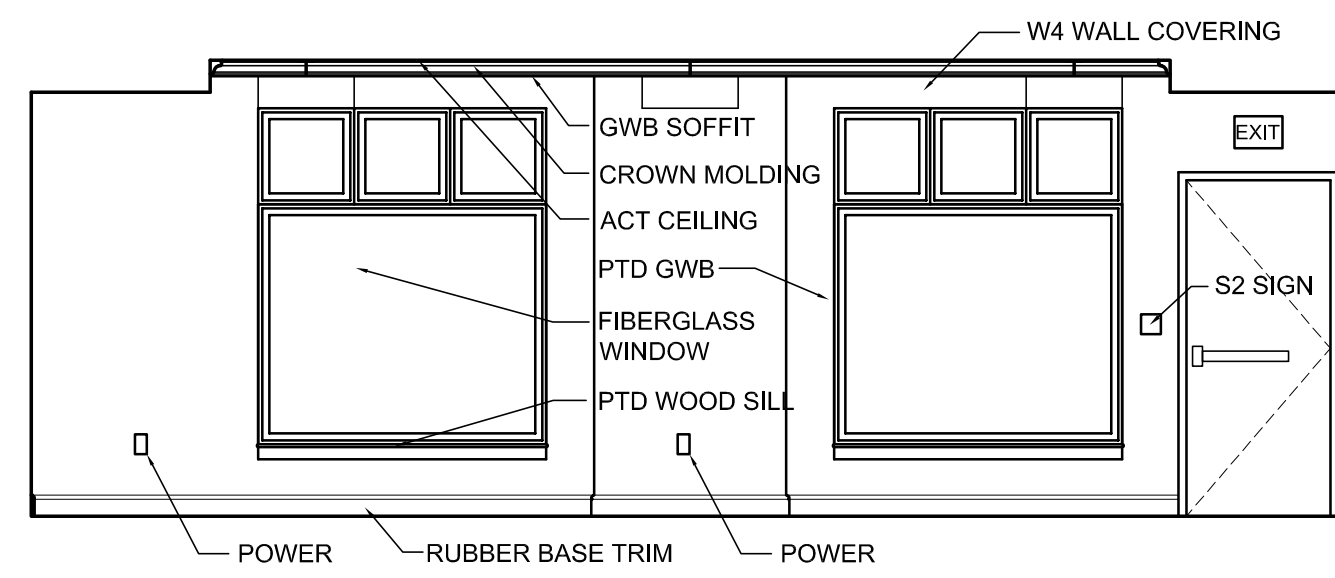
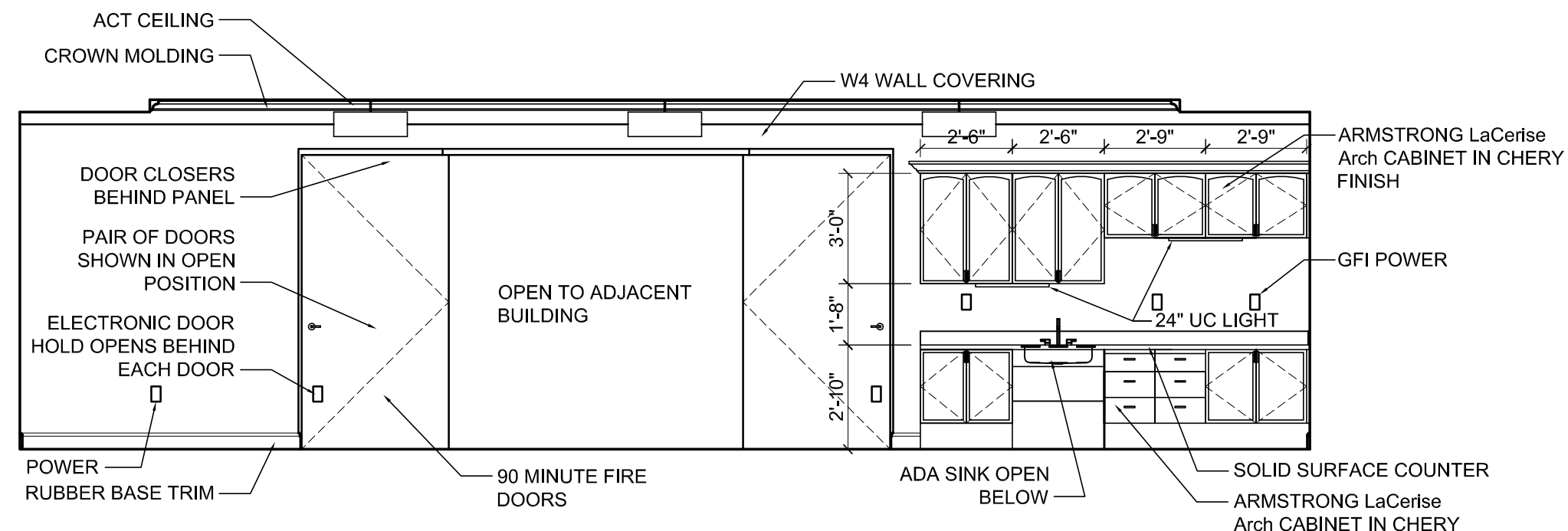


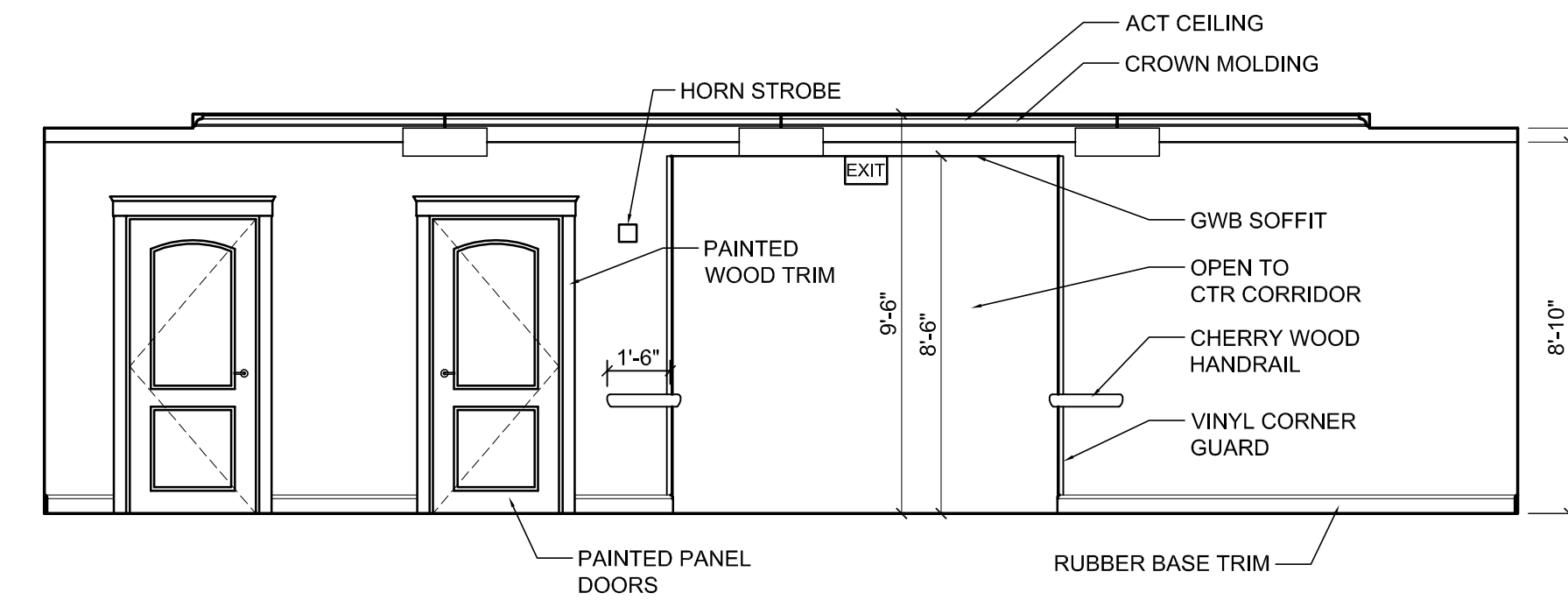
GENERAL NOTES:



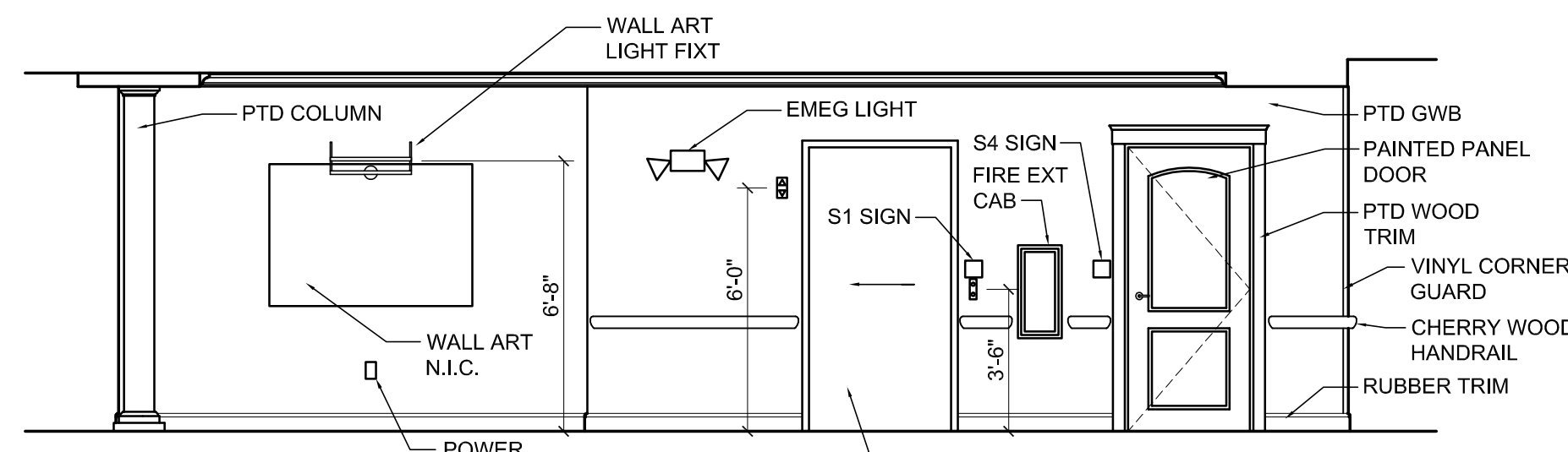
1 COMMUNITY RM
 SCALE: 1/4" = 1'-0"



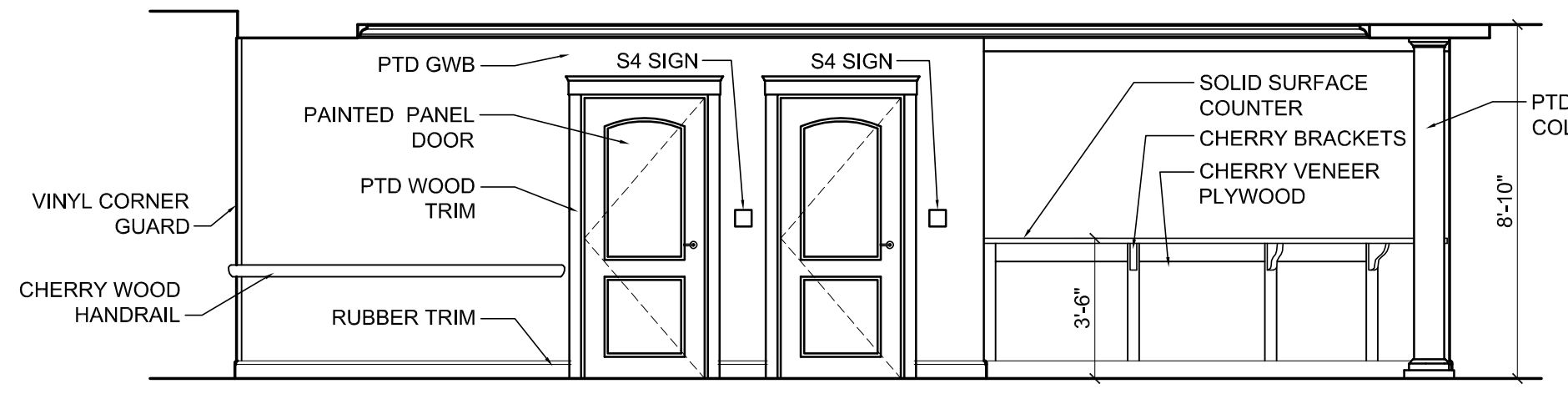
2 COMMUNITY RM
 SCALE: 1/4" = 1'-0"



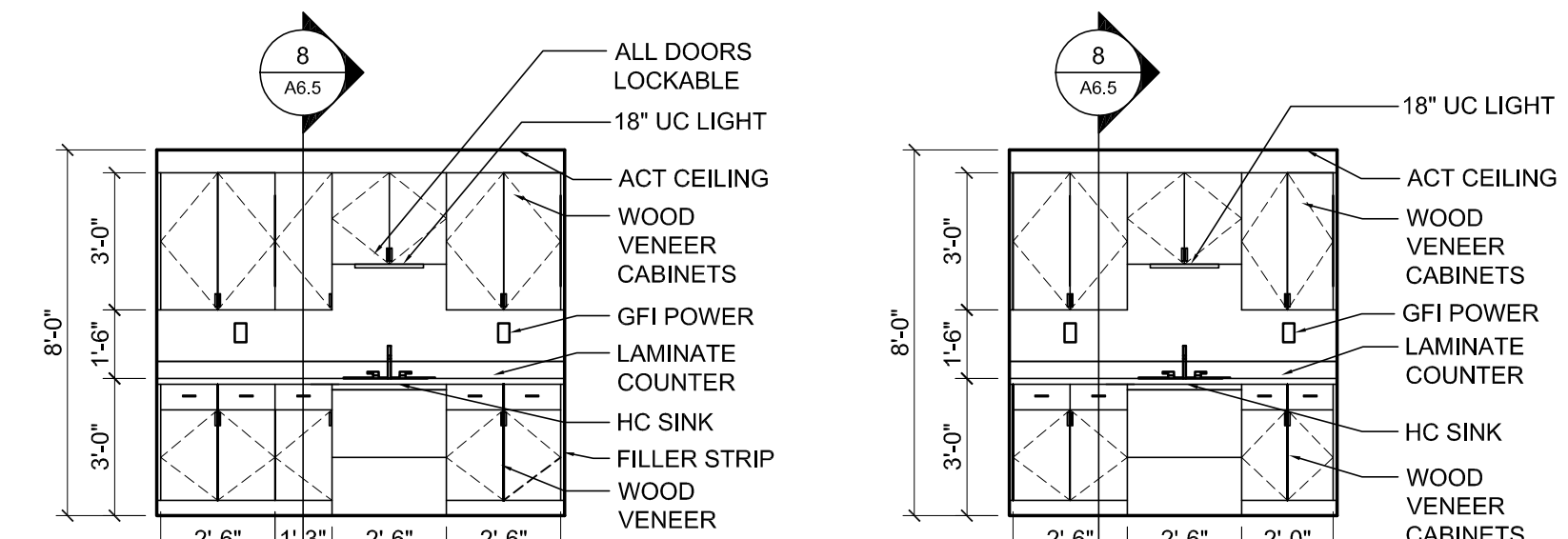
3 COMMUNITY RM
 SCALE: 1/4" = 1'-0"



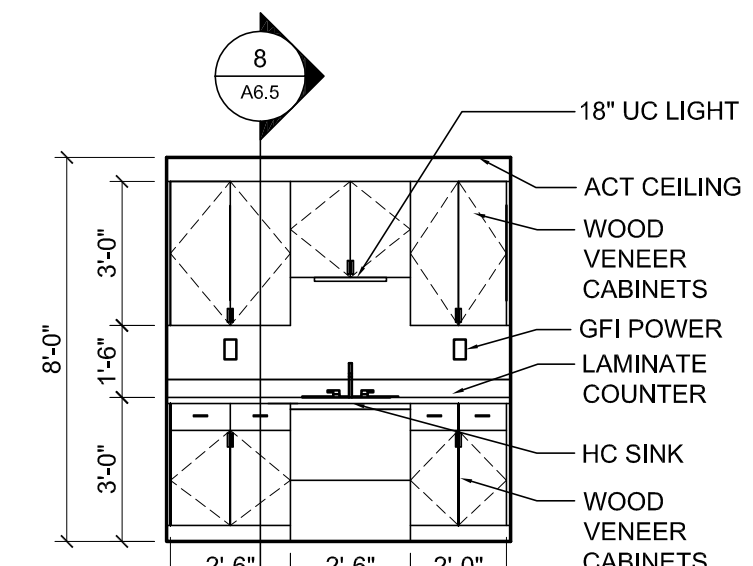
4 CNTR CORRIDOR
 SCALE: 1/4" = 1'-0"



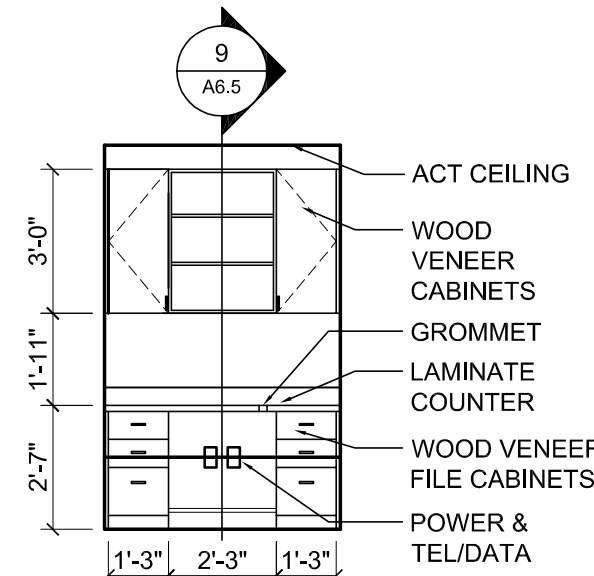
5 CNTR CORRIDOR
 SCALE: 1/4" = 1'-0"



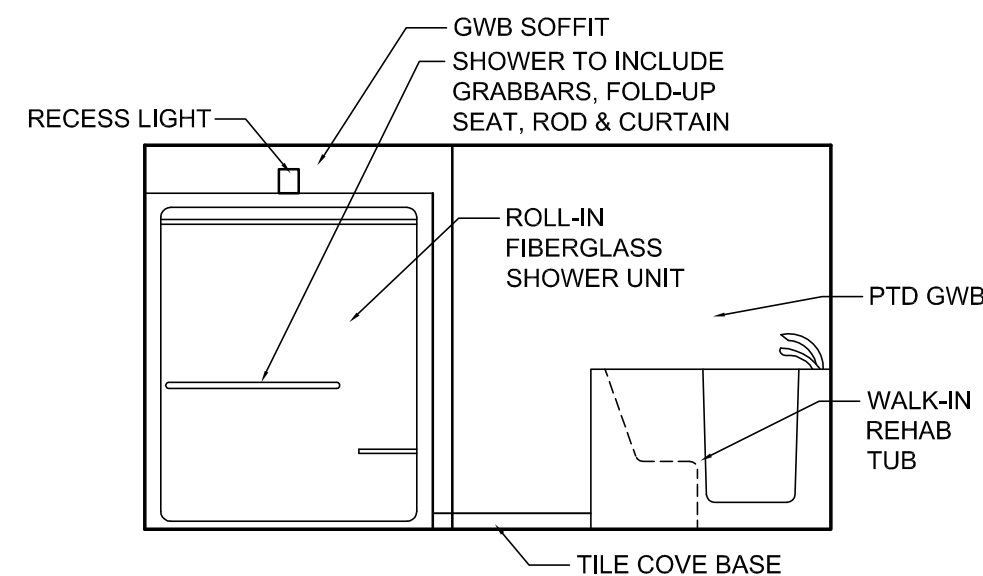
6 MED RM
 SCALE: 1/4" = 1'-0"



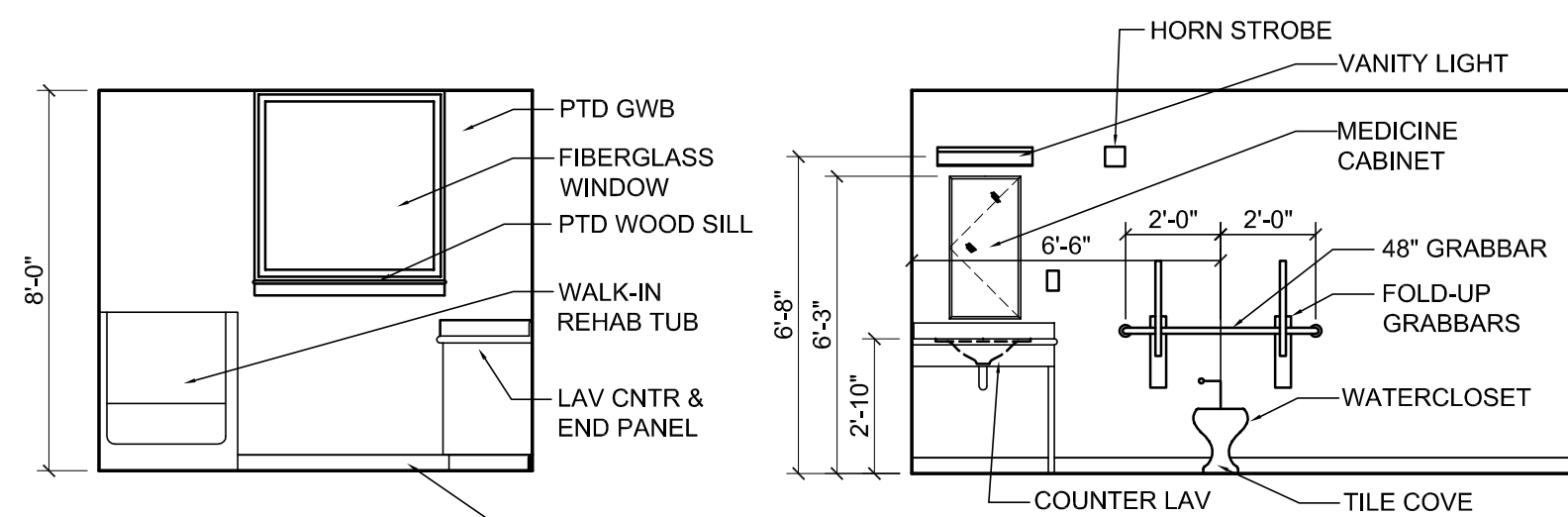
7 MED RM
 SCALE: 1/4" = 1'-0"



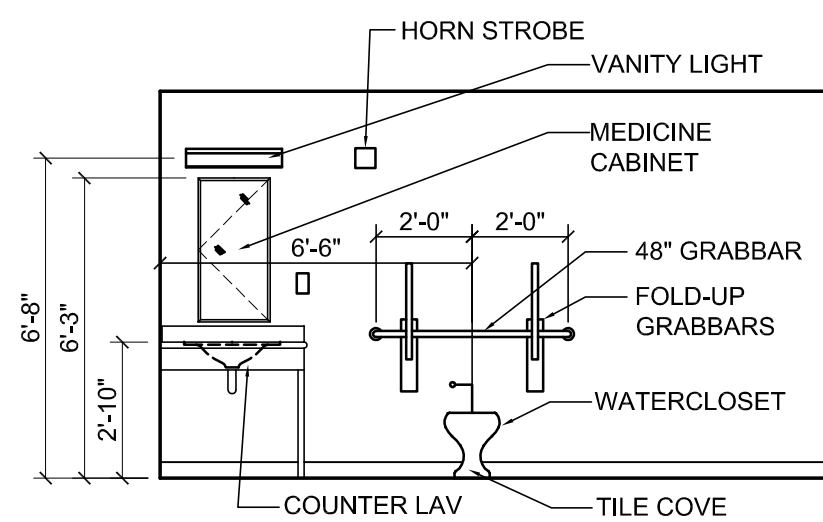
8 CHARTING
 SCALE: 1/4" = 1'-0"



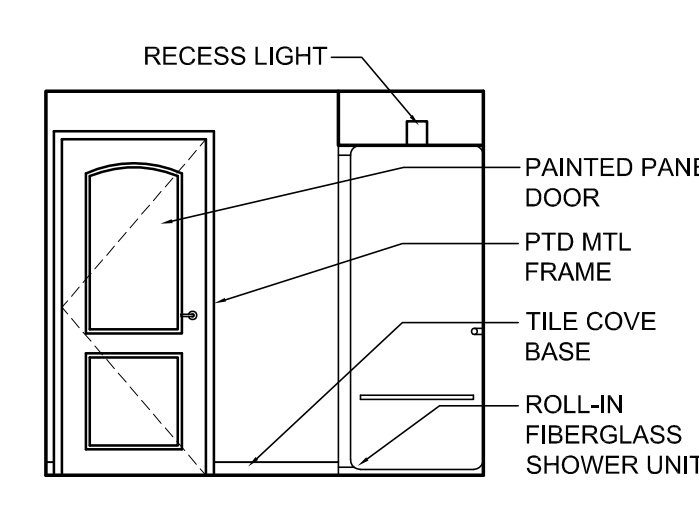
9 SPA
 SCALE: 1/4" = 1'-0"



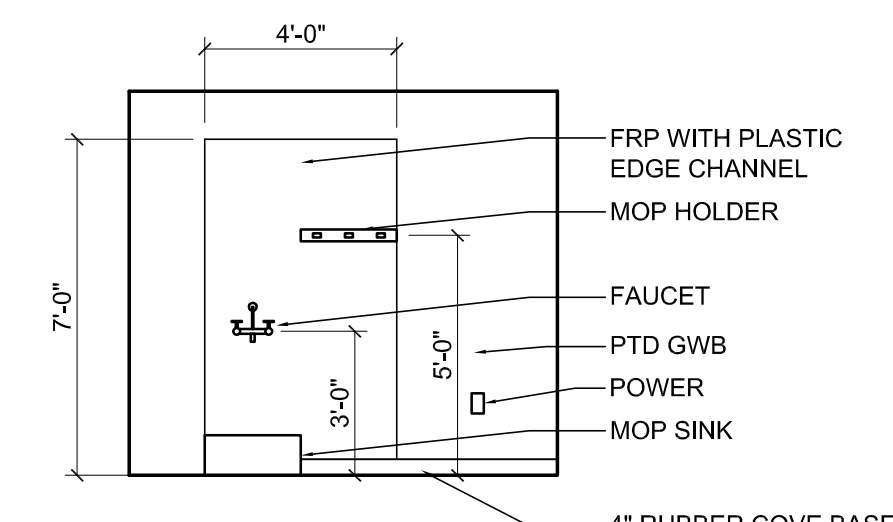
10 SPA
 SCALE: 1/4" = 1'-0"



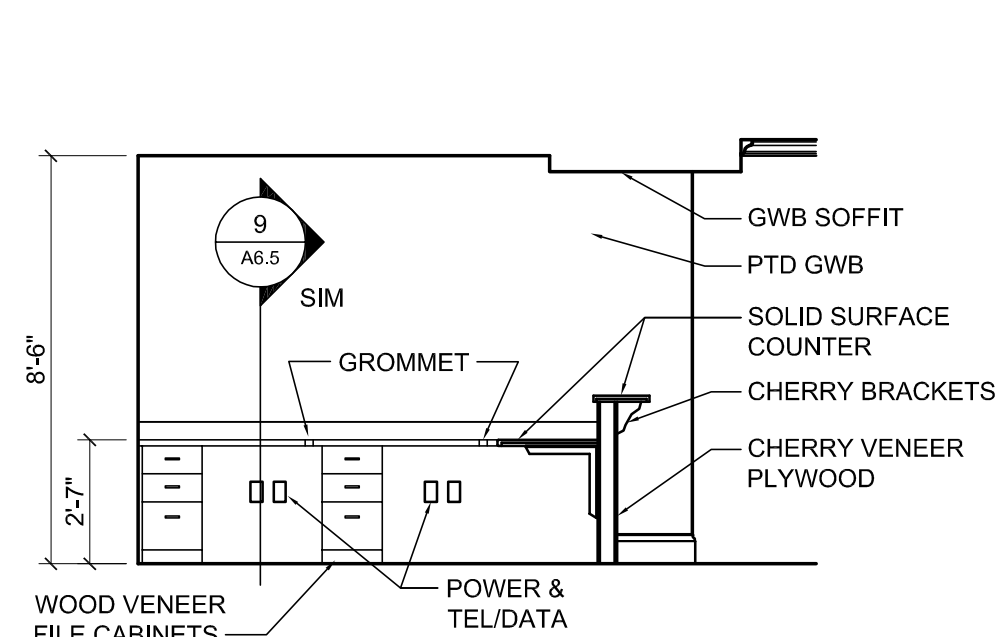
11 SPA
 SCALE: 1/4" = 1'-0"



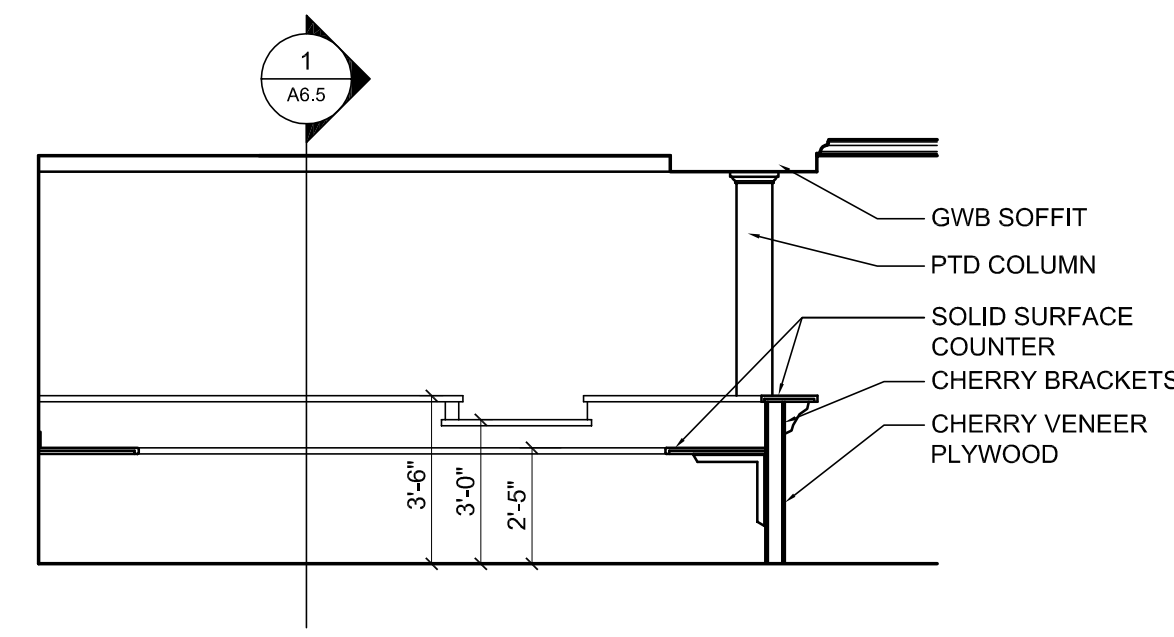
12 SPA
 SCALE: 1/4" = 1'-0"



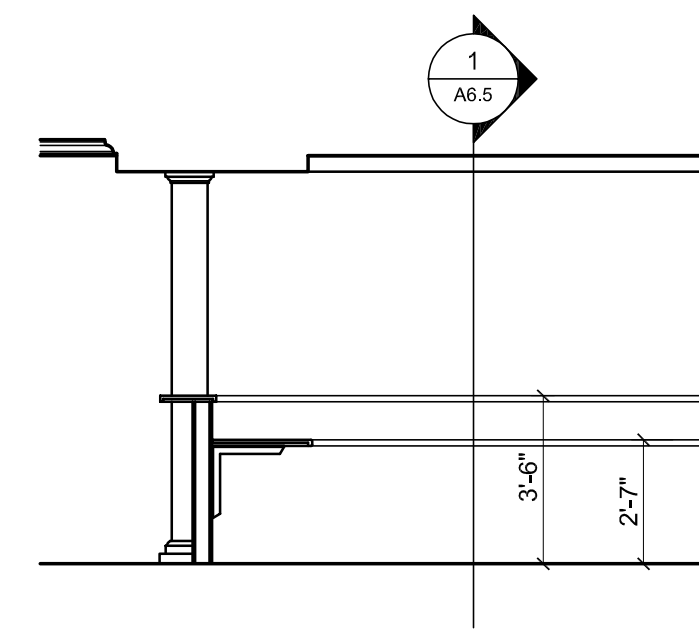
13 JC
 SCALE: 1/4" = 1'-0"



14 NURSE STATION
 SCALE: 1/4" = 1'-0"



15 NURSE STATION
 SCALE: 1/4" = 1'-0"



16 NURSE STATION
 SCALE: 1/4" = 1'-0"

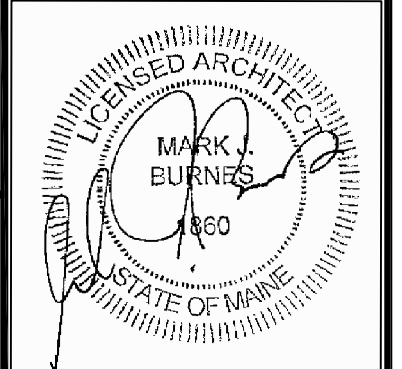
REVISIONS:



PO BOX 66736 Phone: 207-781-3344
 FALMOUTH, ME 04105
 Online @ foresidearchitects.com

Project Status:
 BID SET
 NOT FOR
 CONSTRUCTION

Project Number:
 SR0712



Seaside Rehabilitation
 and Health Care Center
 850 Baxter Blvd
 Portland, ME

Drawing Name:
 INTERIOR ELEVATIONS

Scale:
 1/4" = 1'-0"

SHEET

Date:
 10/29/12

A6.4