

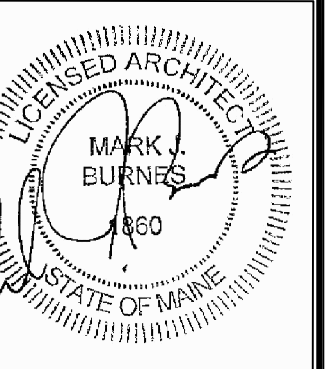
GENERAL NOTES:

REVISIONS:



PO BOX 66736 Phone: 207-781-3344  
 FALMOUTH, ME 04105  
 Online @ [foresidearchitects.com](http://foresidearchitects.com)

Project Status:  
 BID SET  
 NOT FOR  
 CONSTRUCTION



Project Number:  
 SR0712

Seaside Rehabilitation  
 and Health Care Center  
 850 Baxter Blvd  
 Portland, ME

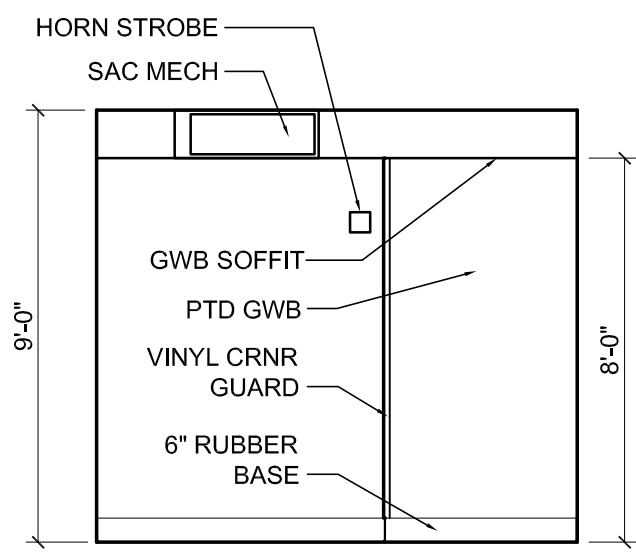
Drawing Name:  
 INTERIOR ELEVATIONS

Scale:  
 1/4" = 1'-0"

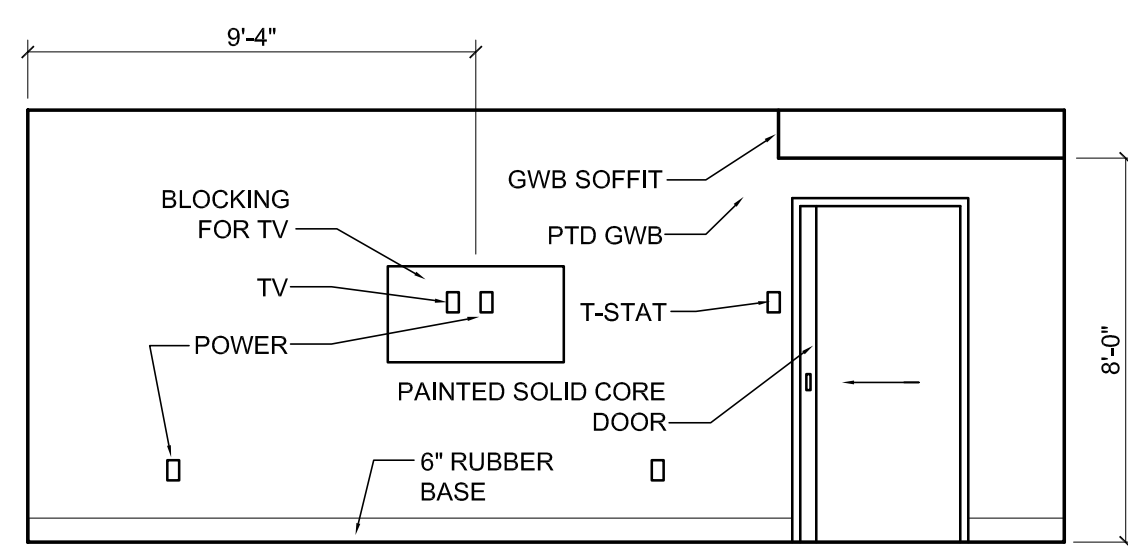
SHEET

Date:  
 10/29/12

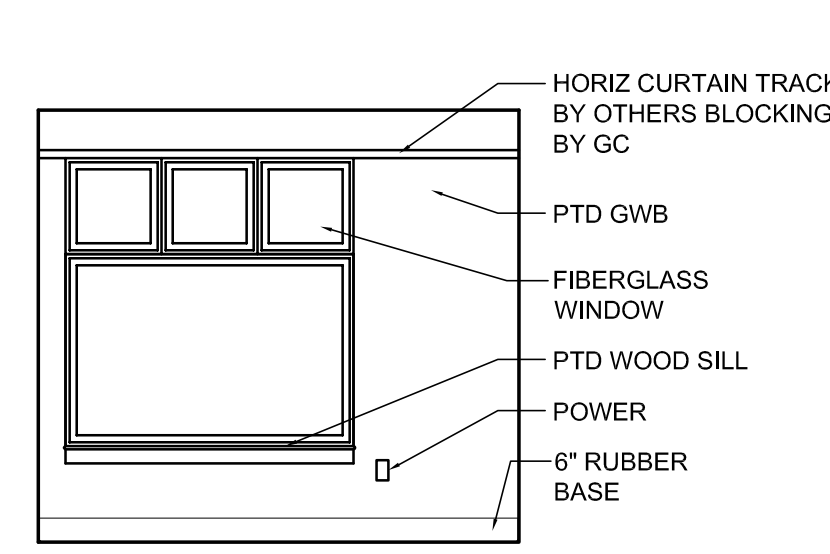
**A6.3**



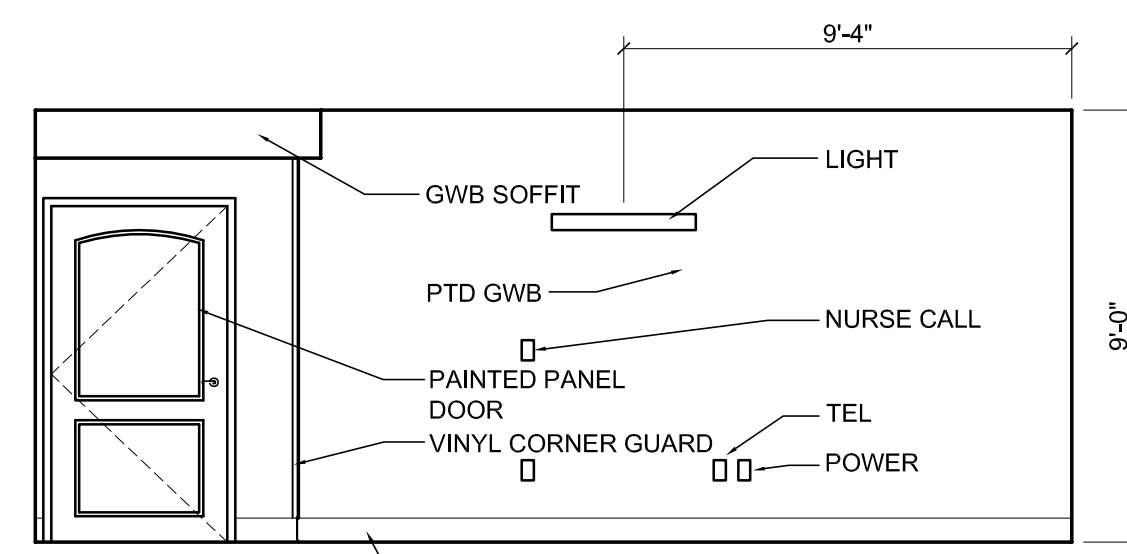
**1** TYP RES RM  
 SCALE: 1/4" = 1'-0"



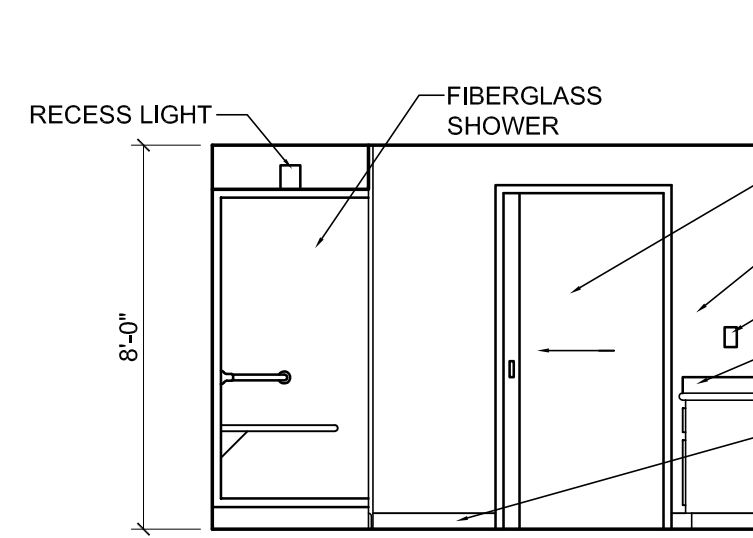
**2** TYP RES RM  
 SCALE: 1/4" = 1'-0"



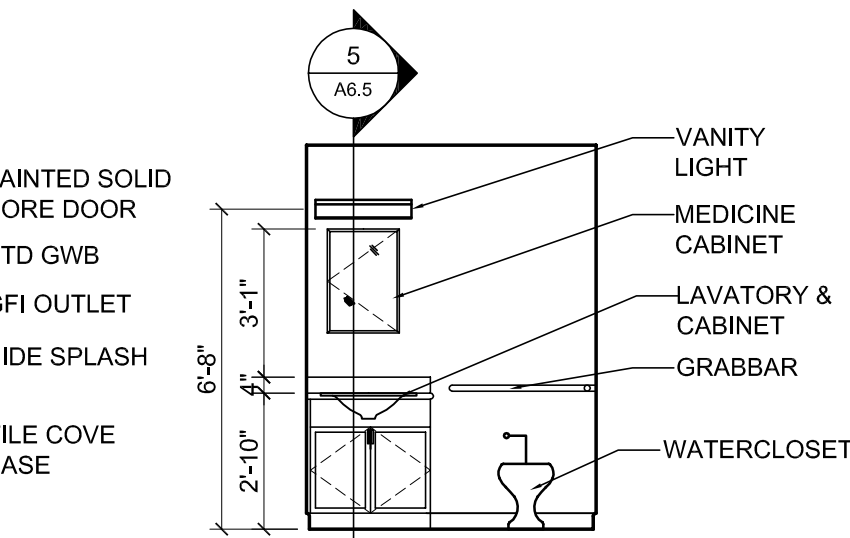
**3** TYP RES RM  
 SCALE: 1/4" = 1'-0"



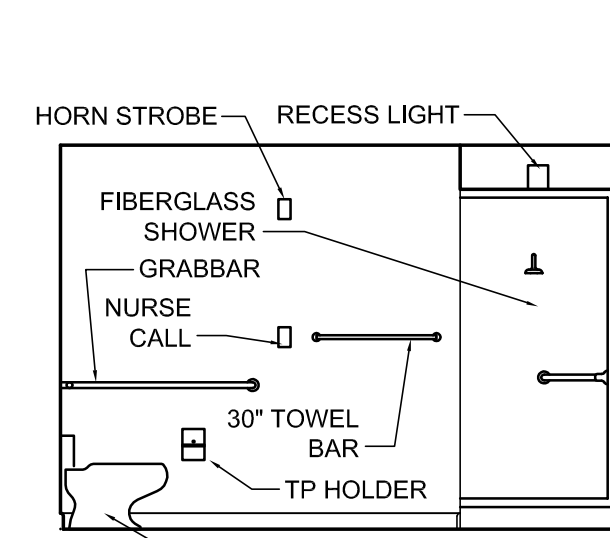
**4** TYP RES RM  
 SCALE: 1/4" = 1'-0"



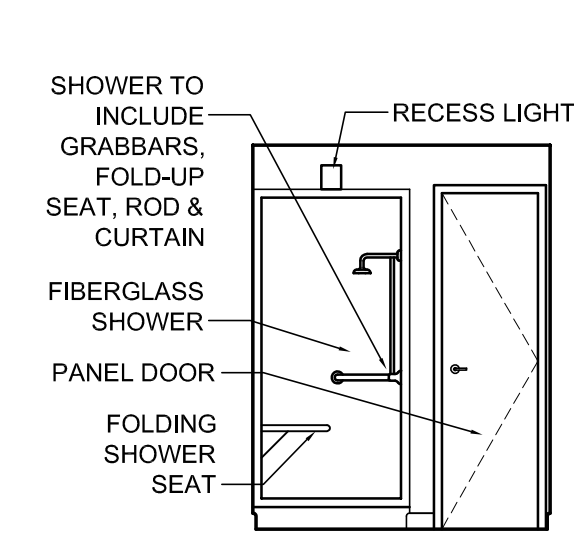
**5** TYP RES BATH  
 SCALE: 1/4" = 1'-0"



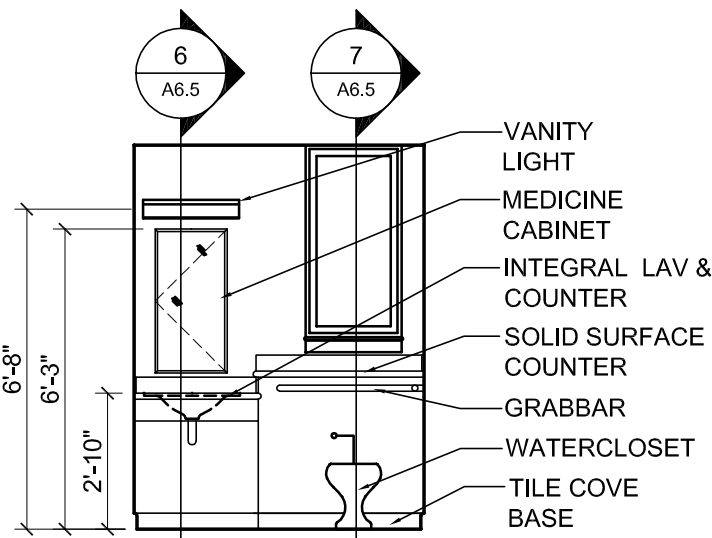
**6** TYP RES BATH  
 SCALE: 1/4" = 1'-0"



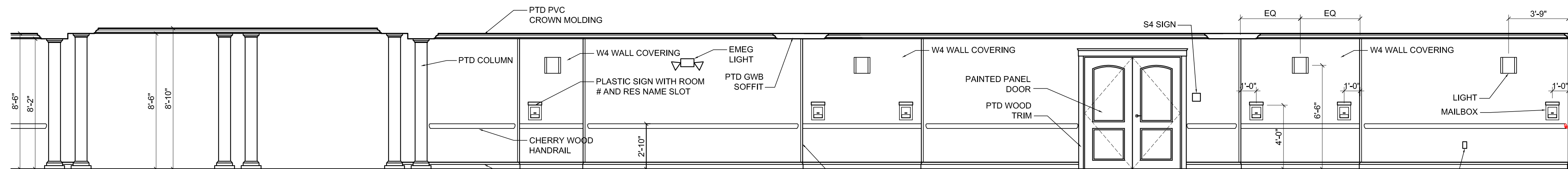
**7** TYP RES BATH  
 SCALE: 1/4" = 1'-0"



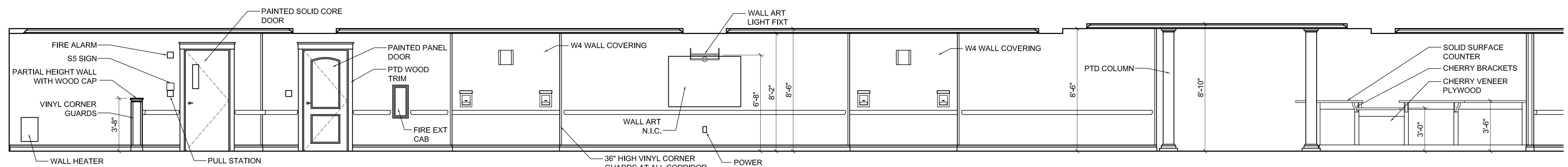
**8** TYP RES BATH  
 SCALE: 1/4" = 1'-0"



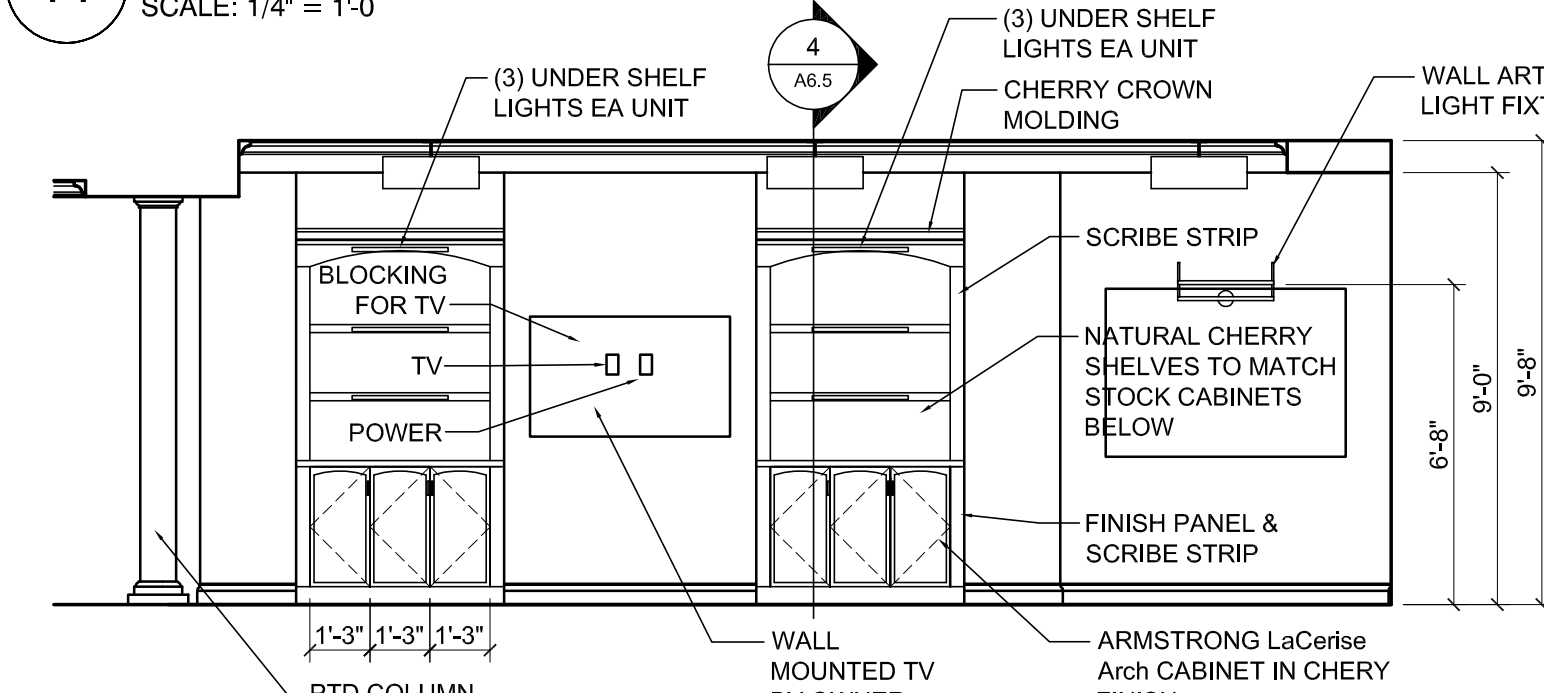
**9** ADA RES BATH  
 SCALE: 1/4" = 1'-0"



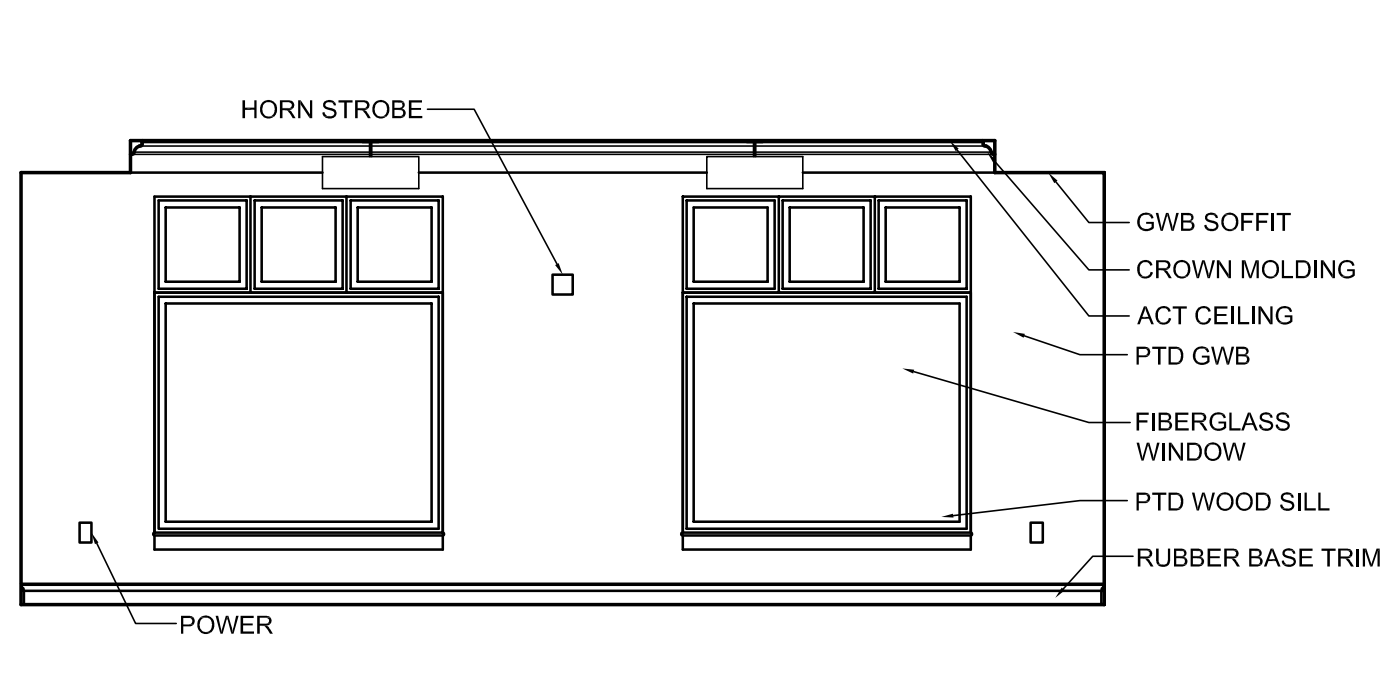
**10** TYP CORRIDOR  
 SCALE: 1/4" = 1'-0"



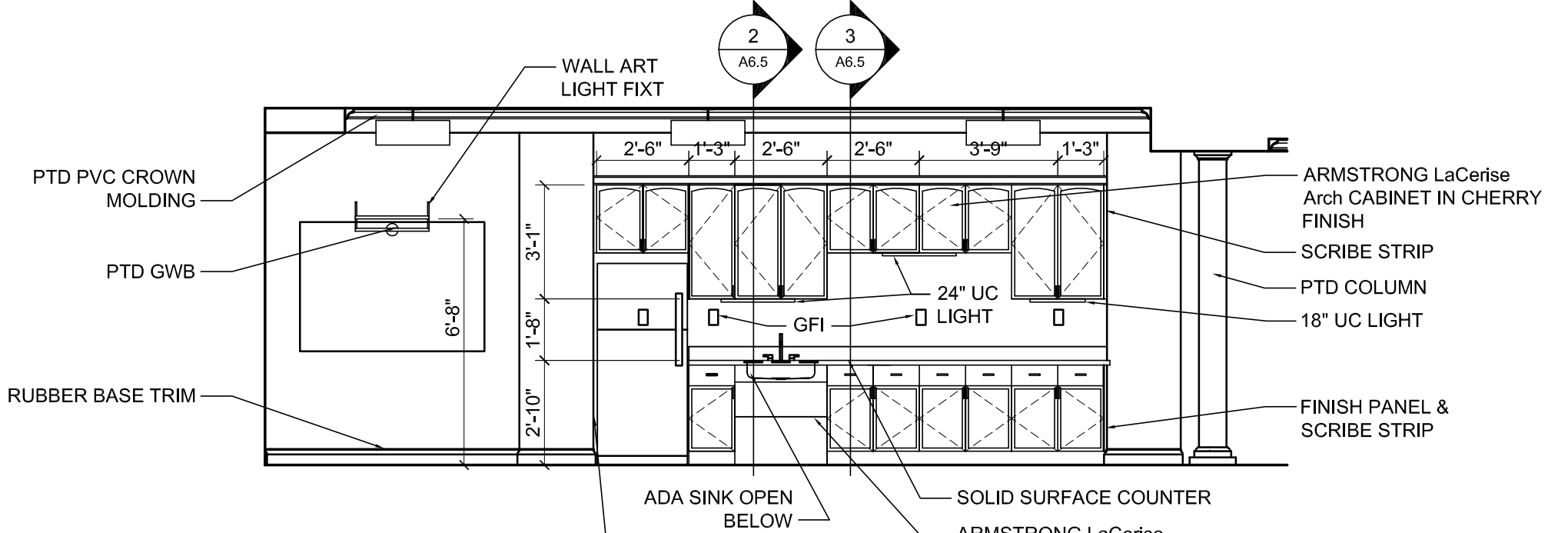
**11** TYP CORRIDOR  
 SCALE: 1/4" = 1'-0"



**12** ENTERTAINMENT  
 SCALE: 1/4" = 1'-0"



**13** ENTERTAINMENT  
 SCALE: 1/4" = 1'-0"



**14** NOURISHMENT  
 SCALE: 1/4" = 1'-0"