

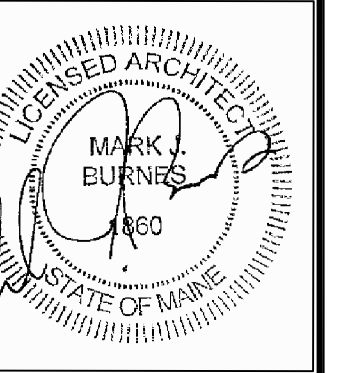
GENERAL NOTES:

REVISIONS:



PO BOX 66736 Phone: 207-781-3344
 FALMOUTH, ME 04105
 Online @ foresidearchitects.com

Project Status:
 BID SET
 NOT FOR
 CONSTRUCTION



Project Number:
 SR0712

Seaside Rehabilitation
 and Health Care Center
 850 Baxter Blvd
 Portland, ME

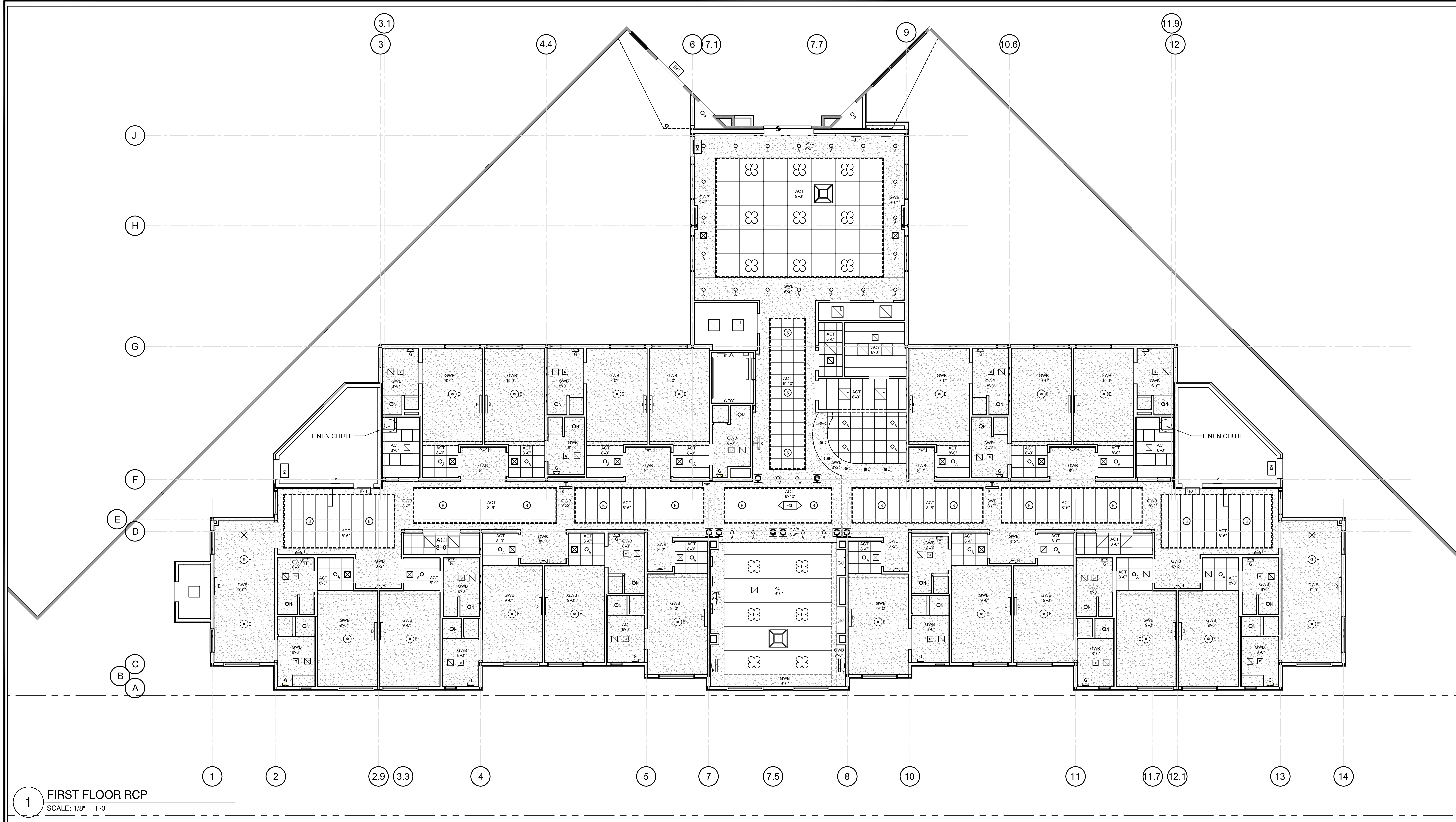
Drawing Name:
 FIRST FLOOR RCP

Scale:
 $\frac{1}{8}" = 1'-0"$

SHEET

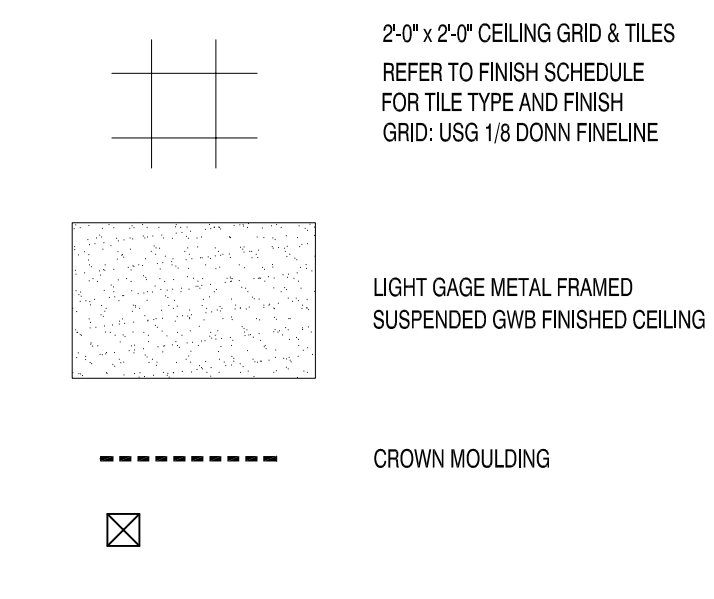
Date:
 10/29/12

A5.1



1 FIRST FLOOR RCP
 SCALE: 1/8" = 1'-0"

REFLECTED CEILING
 PLAN LEGEND



- | | | | | | |
|-----|-------------------------------------------------------------------------------------|------|-----------------------------------------------------------------------------------------------------------------------|-----|-----------------------------------------------------------------------------------------|
| A ○ | 6" LED RECESSED DOWNLIGHT LIGHTOLIER 1101LED09N271-1113CD | H ☐ | FORECAST F541036 SOONCE LIGHT FIXTURE | M | SURFACE MOUNT WALL LIGHT FIXTURE |
| B ○ | F615638NV FORECAST CASSANDRA CORRIDOR CEILING FIXTURE | ☘ | FORECAST 1902211836 COMMUNITY ROOM PENDANT CEILING MOUNTED FIXTURE | N ○ | RECESSED DOWNLIGHT INTEGRAL TO SHOWER UNIT |
| C ● | 5" LED RECESSED DOWNLIGHT LIGHTOLIER 1001LED09N271-1013CD | J — | UNDERCOUNTER LIGHT PHILIPS COLOR KINETICS EW PROFILE POWERCORE 3000K 19.25" | O ○ | CLOSET UTILITY LIGHT |
| D — | WALL MOUNT LIGHT FIXTURE RESIDENT BEDSIDE LIGHTING FORECAST 190199836 | K ☐ | PICTURE LIGHT EUREKA GAUGUIN 3442C-60 | P ○ | LED RECESSED DOWNLIGHT LIGHTOLIER 1001LED09N271-1090 ETCH WHITE, WET SHOWER LIGHT |
| E ○ | FORECAST F606436 RESIDENT ROOM SURFACE MOUNTED FIXTURE | L ☐ | 2 X 2 T5 LIGHT FIXTURE W/ ACRYLIC LENS | | |
| F ☐ | SURFACE MOUNT LIGHT FIXTURE RESIDENT BATH GENERAL LIGHTING FORECAST F602538NV | EXIT | HUBBELL DUAL-LITE LES MODEL EXIT SIGN W/ GREEN ILLUMINATED LETTERING (ARROW INDICATES DIRECTIONAL INTENT) | | |
| G ☐ | WALL MOUNT LIGHT FIXTURE RESIDENT BATH VANITY LIGHTING FORECAST 190199836 | | | | |