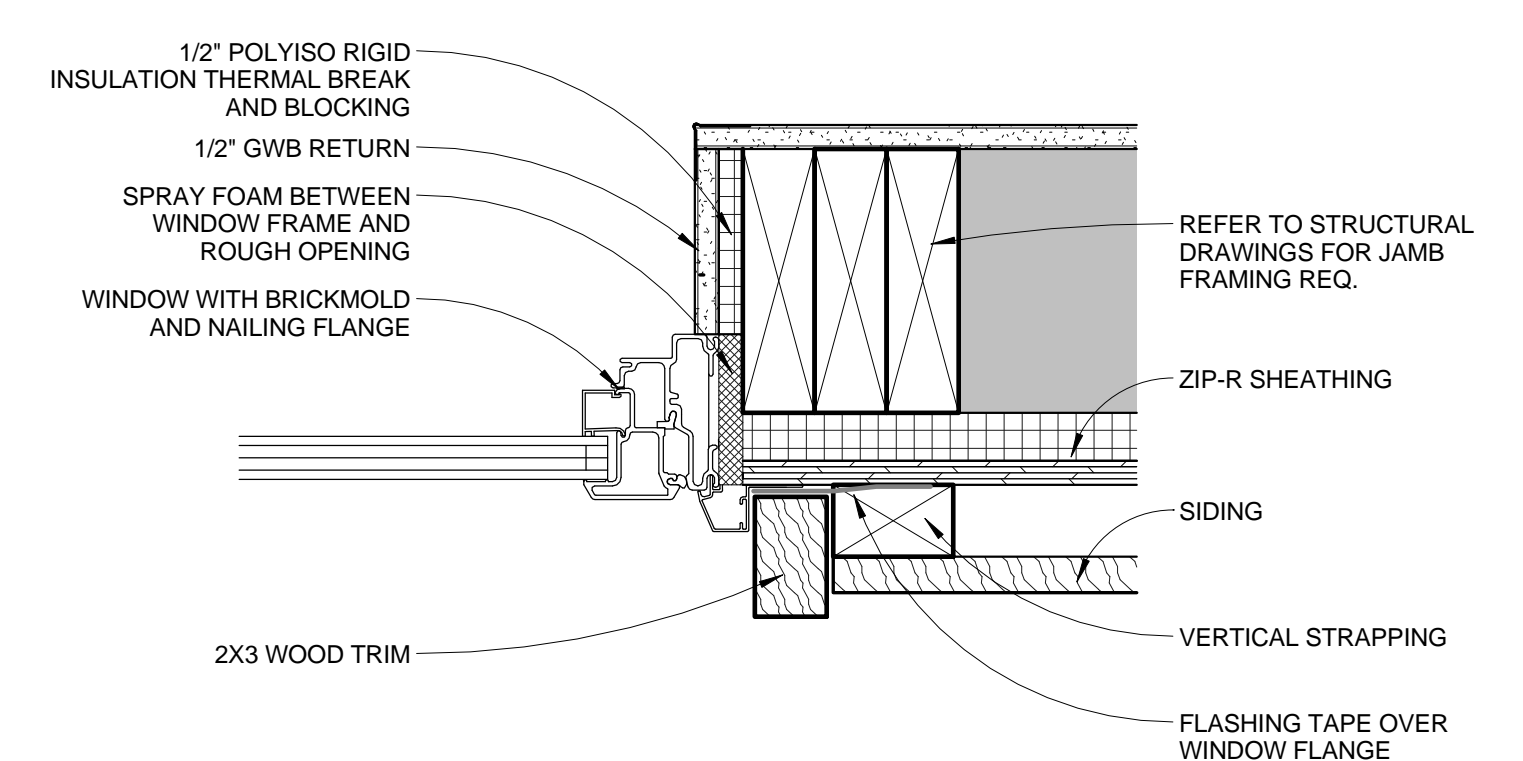


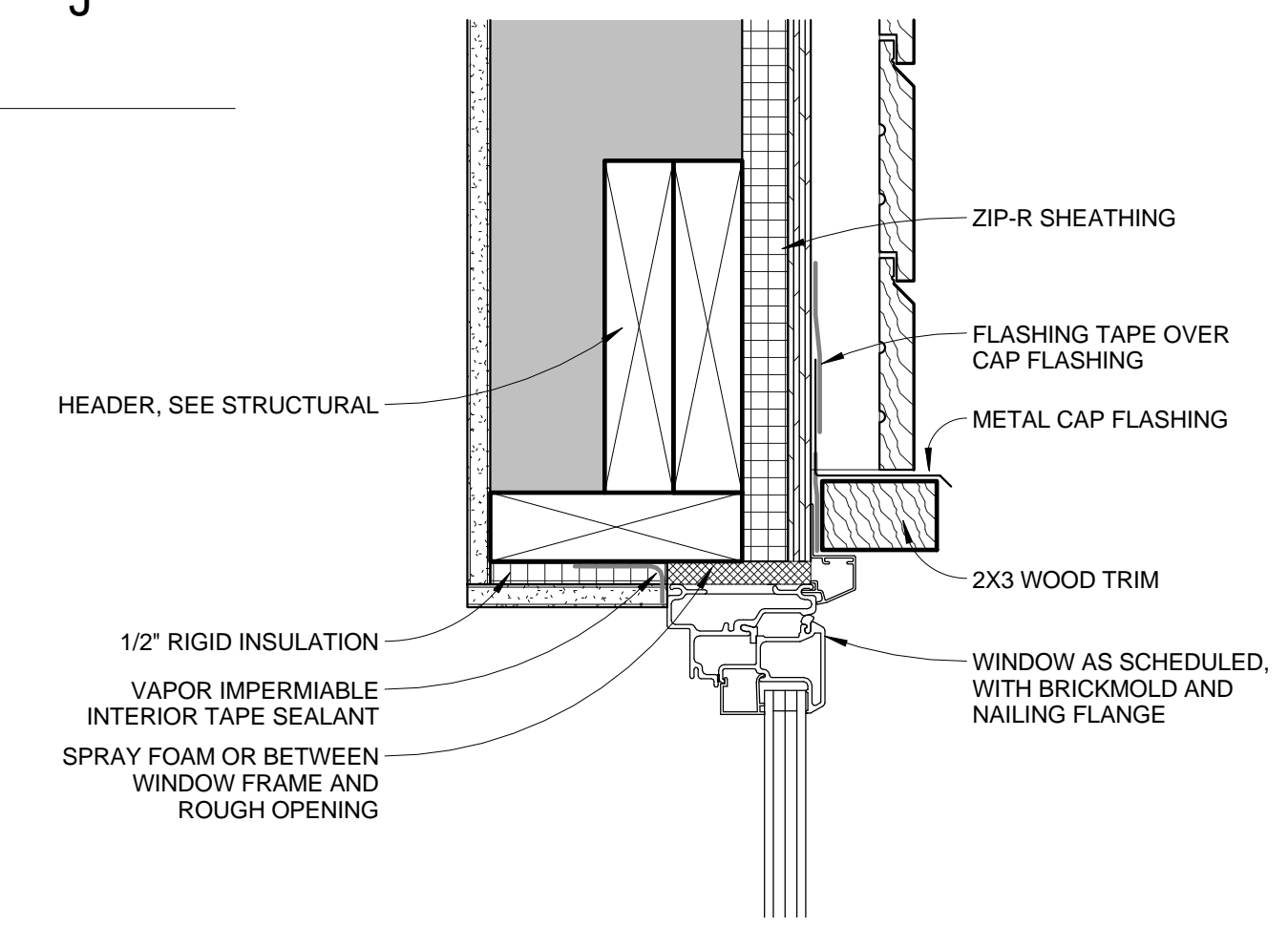
WINDOW LEGEND  
3/8" = 1'-0"

WINDOW SCHEDULE					
TYPE	UNIT WIDTH	UNIT HEIGHT	COUNT	OPERATION	NOTES
A	3' - 11 1/4"	3' - 11 1/4"	8	AWNING	EGRESS WINDOW
A1	3' - 11 1/4"	3' - 11 1/4"	1	FIXED	MULLED CORNER UNIT
B	2' - 11 7/16"	1' - 3 3/4"	1	AWNING	
C	4' - 11 1/16"	5' - 10 7/8"	2	FIXED	MULLED CORNER UNIT
D	2' - 11 7/16"	5' - 10 7/8"	1	CASEMENT	EGRESS WINDOW
E	6' - 6 3/4"	1' - 11 5/8"	1	AWNING	
F	2' - 11 7/16"	2' - 11 7/16"	1	AWNING	EGRESS WINDOW
G	9' - 10 1/8"	1' - 11 5/8"	2	AWNING	
H	3' - 11 1/4"	7' - 10 1/2"	1	FIXED	
J	2' - 11 7/16"	7' - 10 1/2"	2	FIXED	

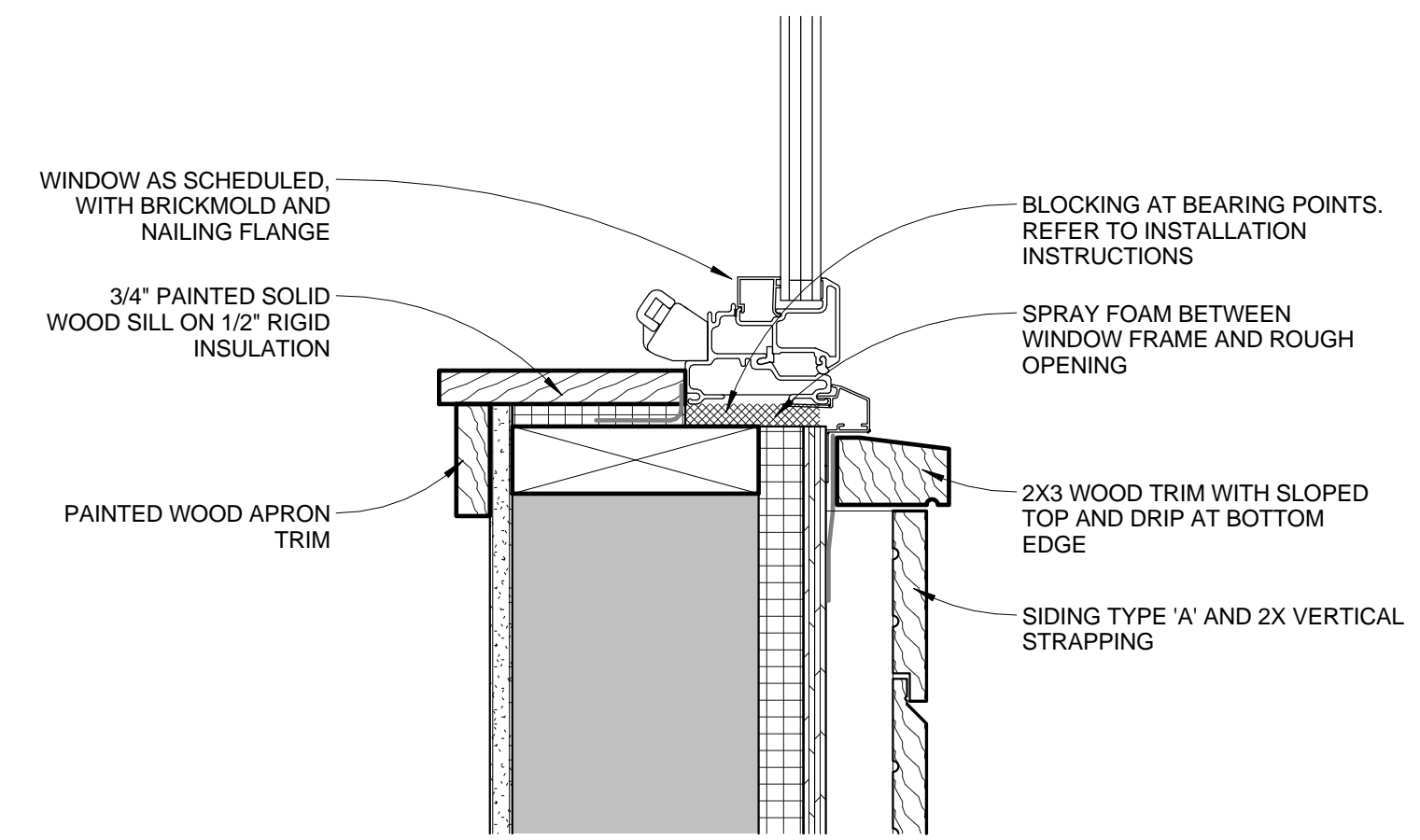
WINDOWS BASED ON LOEWEN ALUMINUM-CLAD WOOD



3 TYPICAL WINDOW JAMB DETAIL  
3" = 1'-0"

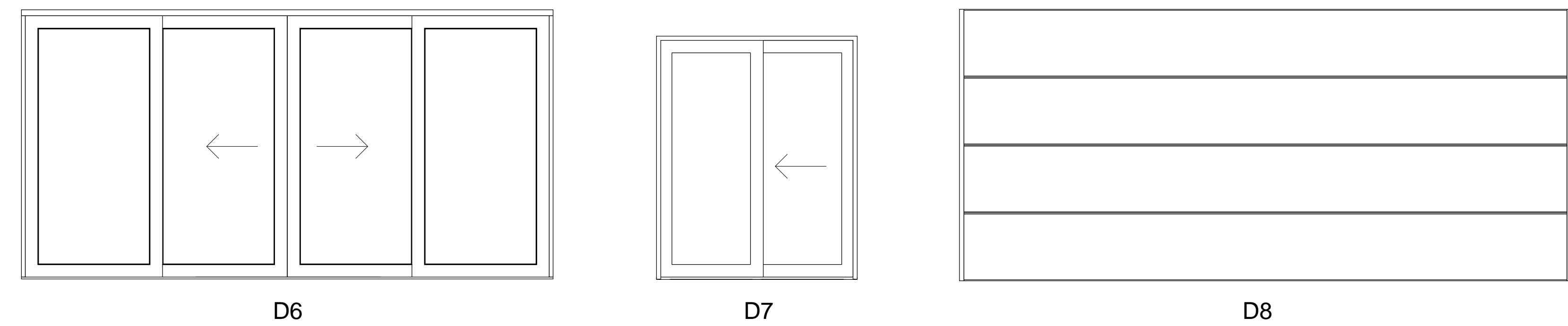
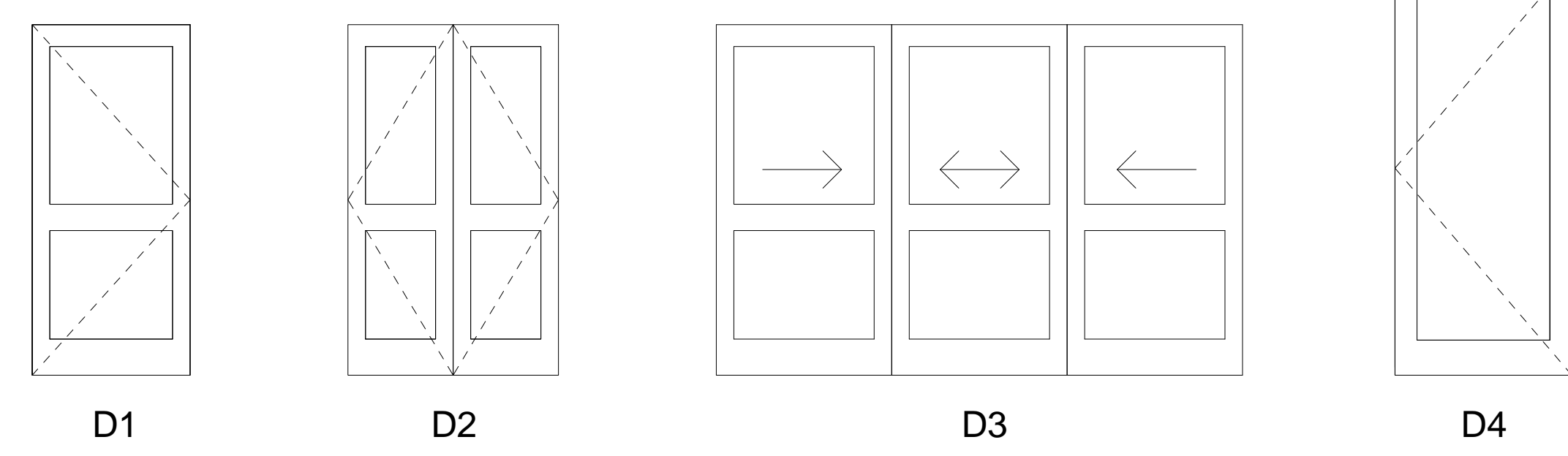


1 TYPICAL WINDOW HEAD DETAIL  
3" = 1'-0"



2 TYPICAL WINDOW SILL DETAIL  
3" = 1'-0"

DOOR SCHEDULE						
Mark	Type	Width	Height	Operation	Hardware	Comments
001	D7	6' - 0"	7' - 0"	SLIDING DOOR		
002	D1	3' - 0"	6' - 8"	HINGED		
003	D1	2' - 8"	6' - 8"	HINGED		
101A	D1	2' - 8"	6' - 8"	POCKET		
101B	D3	10' - 0"	6' - 8"	3-PANEL SLIDING		
101C	D4	3' - 4 5/16"	7' - 10 1/2"	HINGED		LOEWEN 1-WIDE TERRACE DOOR
102A	D8	18' - 0"	8' - 0"	OVERHEAD		
102C	D1	3' - 0"	6' - 8"	HINGED		
102D	D1	3' - 0"	6' - 8"	HINGED		
103	D6	15' - 7 11/16"	7' - 10 1/2"	DOUBLE SLIDING - OXXO		LOEWEN 4-WIDE SLIDING PATIO
104B	D1	2' - 8"	6' - 8"	HINGED		
108	D1	2' - 8"	6' - 8"	HINGED		
109A	D1	2' - 8"	6' - 8"	HINGED		
203	D2	5' - 0"	6' - 8"	HINGED DOUBLE		
204A	D1	2' - 8"	6' - 8"	HINGED		
204B	D1	2' - 0"	6' - 8"	HINGED		
205	D2	5' - 0"	6' - 8"	HINGED DOUBLE		
206	D1	2' - 8"	6' - 8"	HINGED		
207	D1	2' - 8"	6' - 8"	HINGED		
208	D2	5' - 0"	6' - 8"	HINGED DOUBLE		
209	D2	4' - 0"	6' - 8"	HINGED DOUBLE		
210	D1	2' - 8"	6' - 8"	POCKET		
211A	D2	4' - 0"	6' - 8"	HINGED DOUBLE		
211B	D2	4' - 0"	6' - 8"	HINGED DOUBLE		
212	D1	2' - 8"	6' - 8"	HINGED		



DOOR LEGEND  
3/8" = 1'-0"