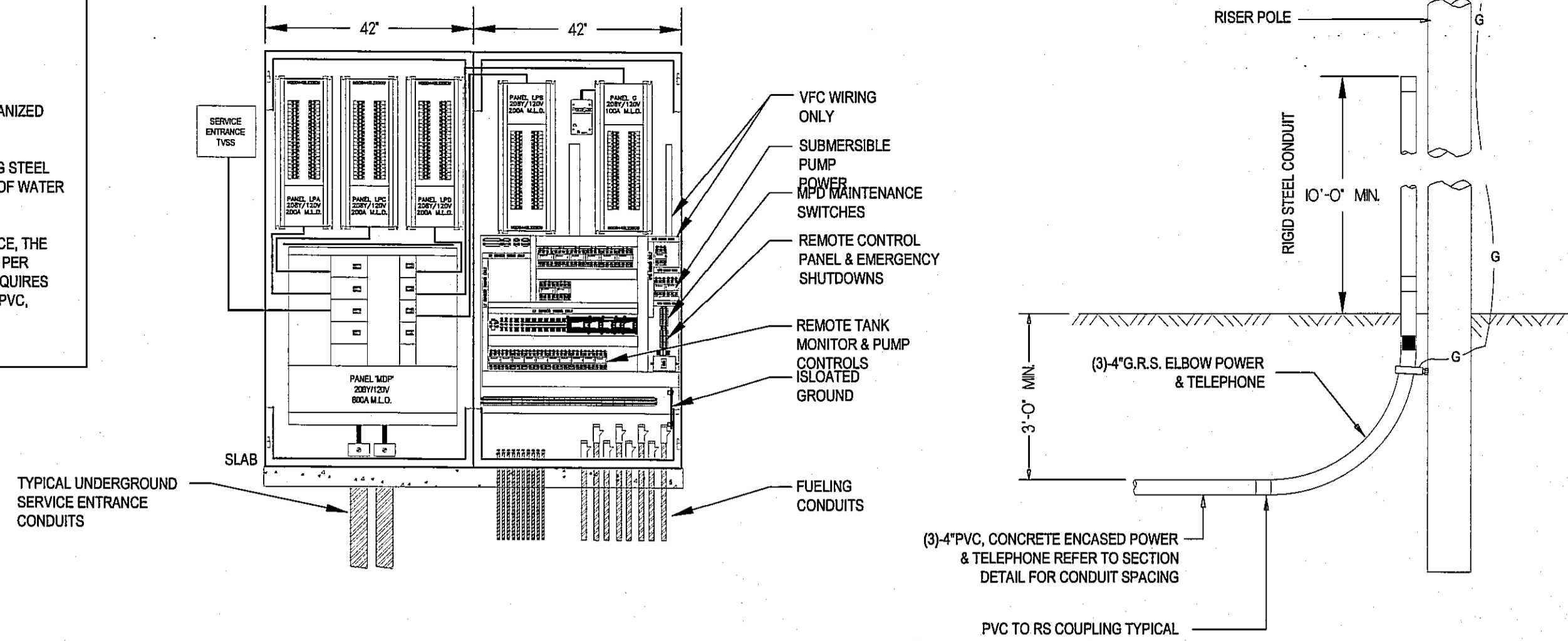


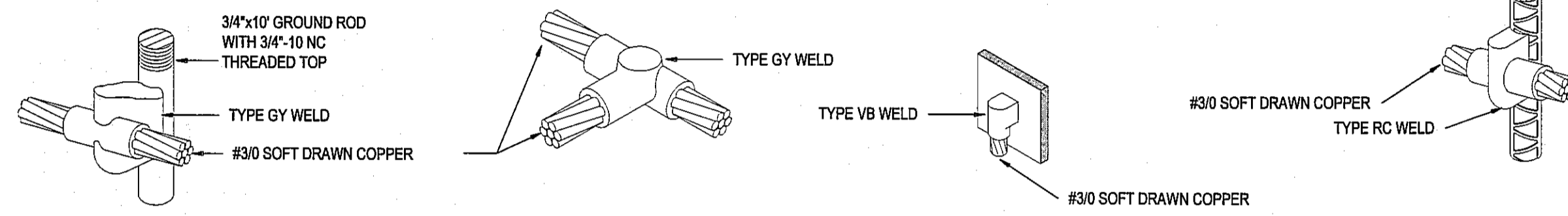
NOTES:

- REFER TO DRAWING E1.2 FOR GENERAL NOTES AND LEGEND.
- ALL PANELBOARD AND DISCONNECT EQUIPMENT SHALL BE MANUFACTURED BY SQUARE D, WESTINGHOUSE OR G.E.
- ALL CONDUIT PENETRATION THROUGH THE SLAB SHALL BE GALVANIZED RIGID STEEL CONDUIT.
- 1" PVC, (1) #20 STRANDED TO 3/4" GROUND ROD 10', REINFORCING STEEL WITHIN ALL CONCRETE FOOTINGS, BUILDING STEEL & STREET SIDE OF WATER SERVICE.
- IF THE LOCAL POWER COMPANY REQUIRES AN OVERHEAD SERVICE, THE CONTRACTOR SHALL PROVIDE 4" GRS SERVICE MAST INSTALLED AS PER POWER COMPANY SPECIFICATIONS. IF LOCAL POWER COMPANY REQUIRES AN UNDERGROUND SERVICE, THE CONTRACTOR SHALL PROVIDE 4" PVC, ENCASED IN CONCRETE AS SHOWN ON DETAILS THIS SHEET.

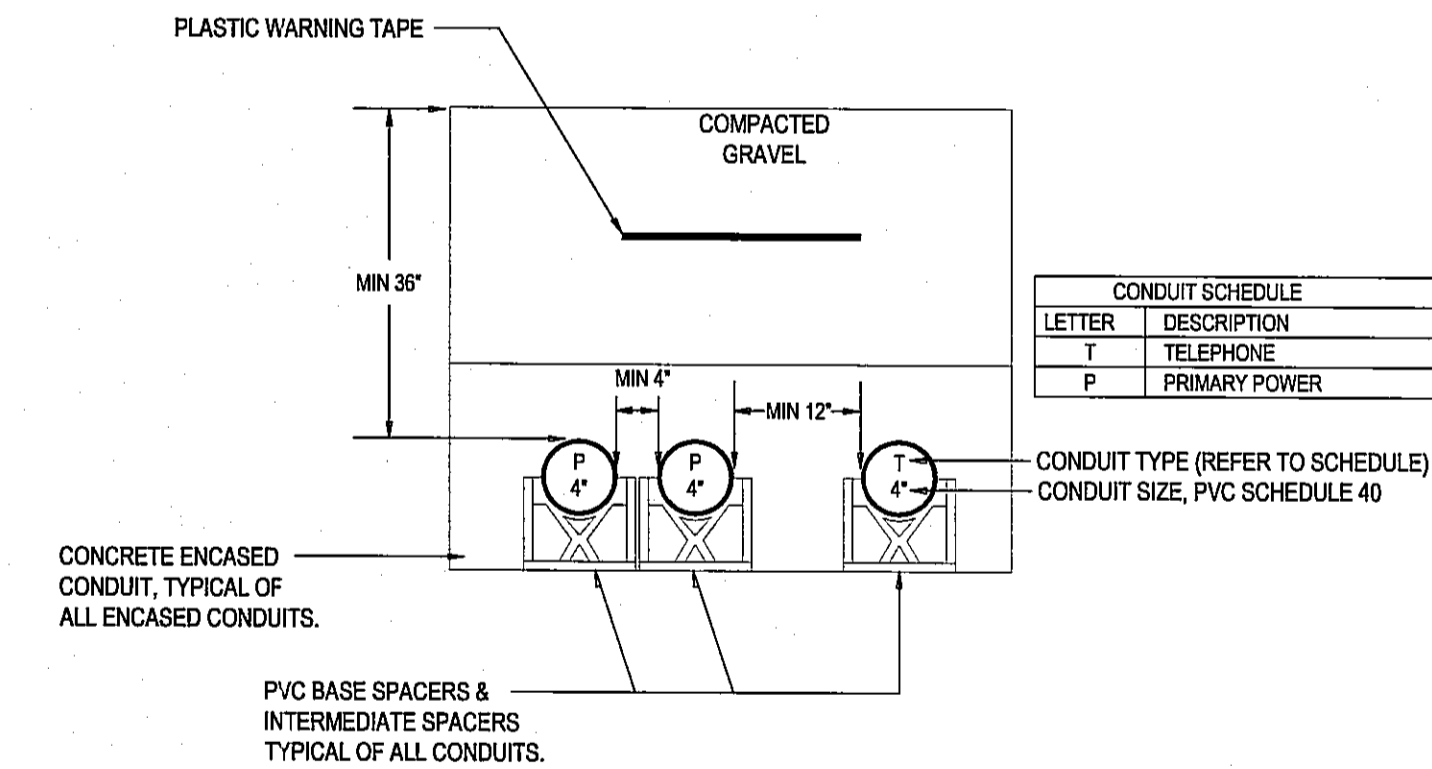


ELECTRICAL PANEL DETAIL
NOT TO SCALE

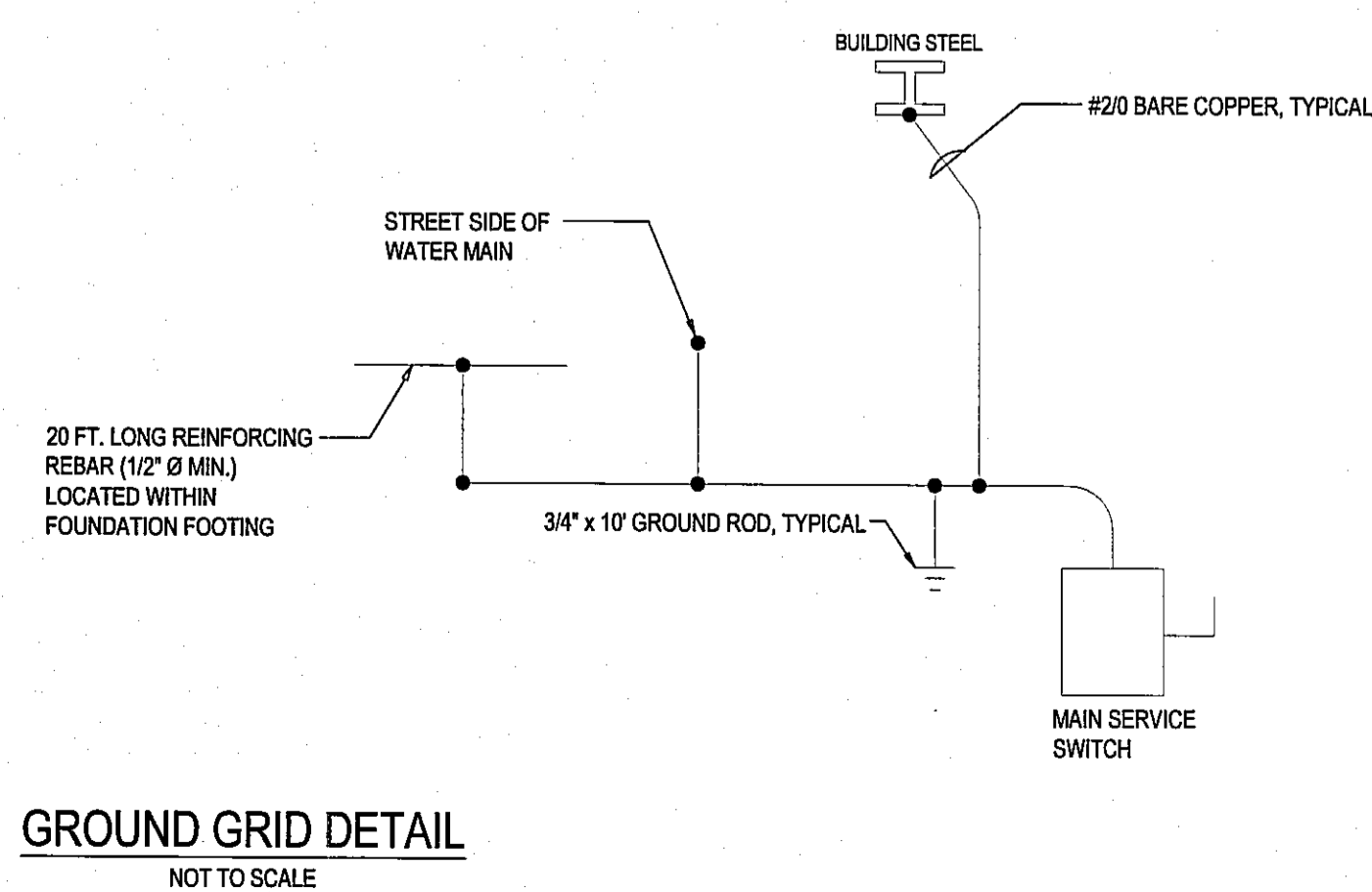
RISER POLE DETAIL
NOT TO SCALE



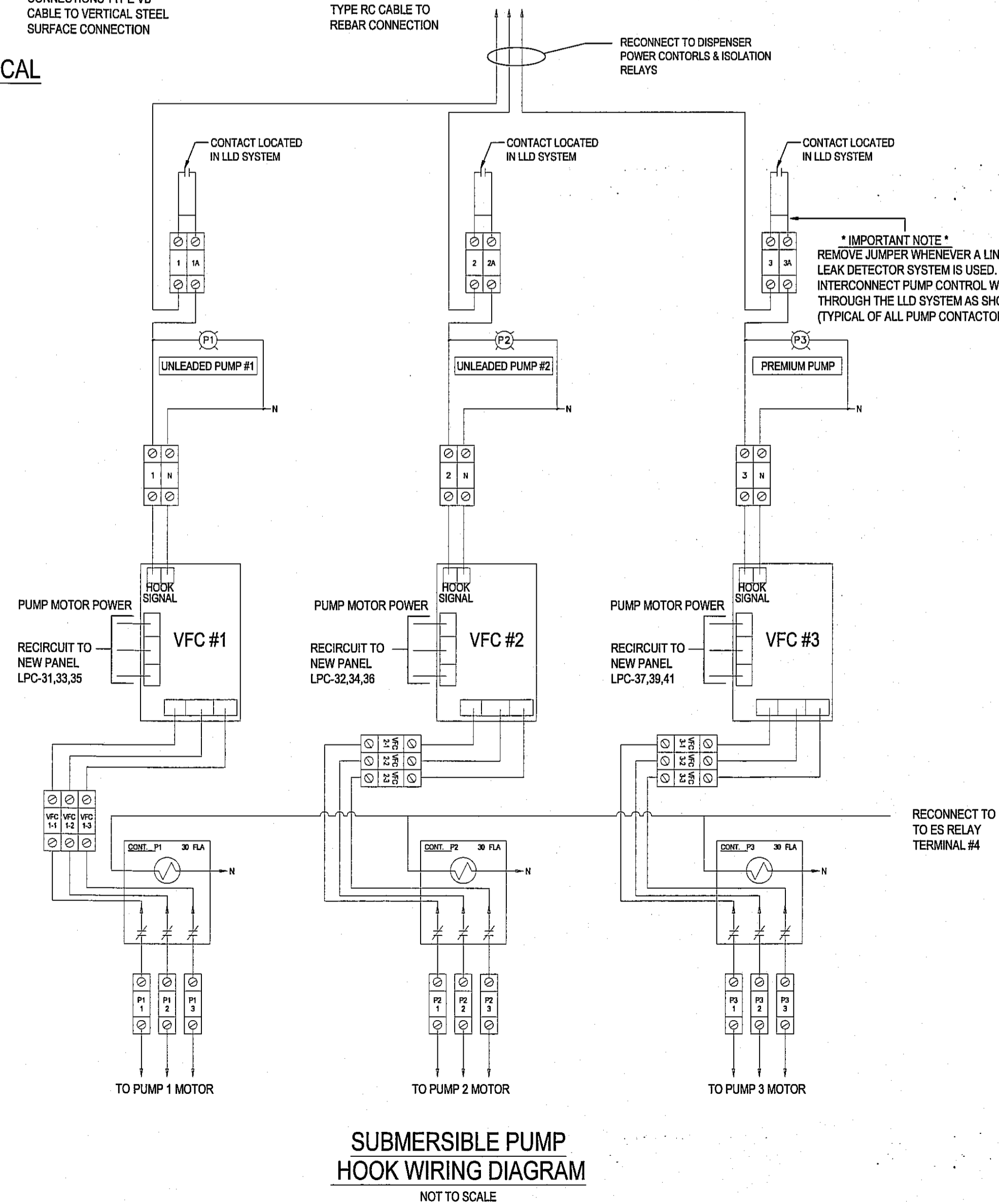
EXOTHERMIC WELD DETAILS TYPICAL
NOT TO SCALE



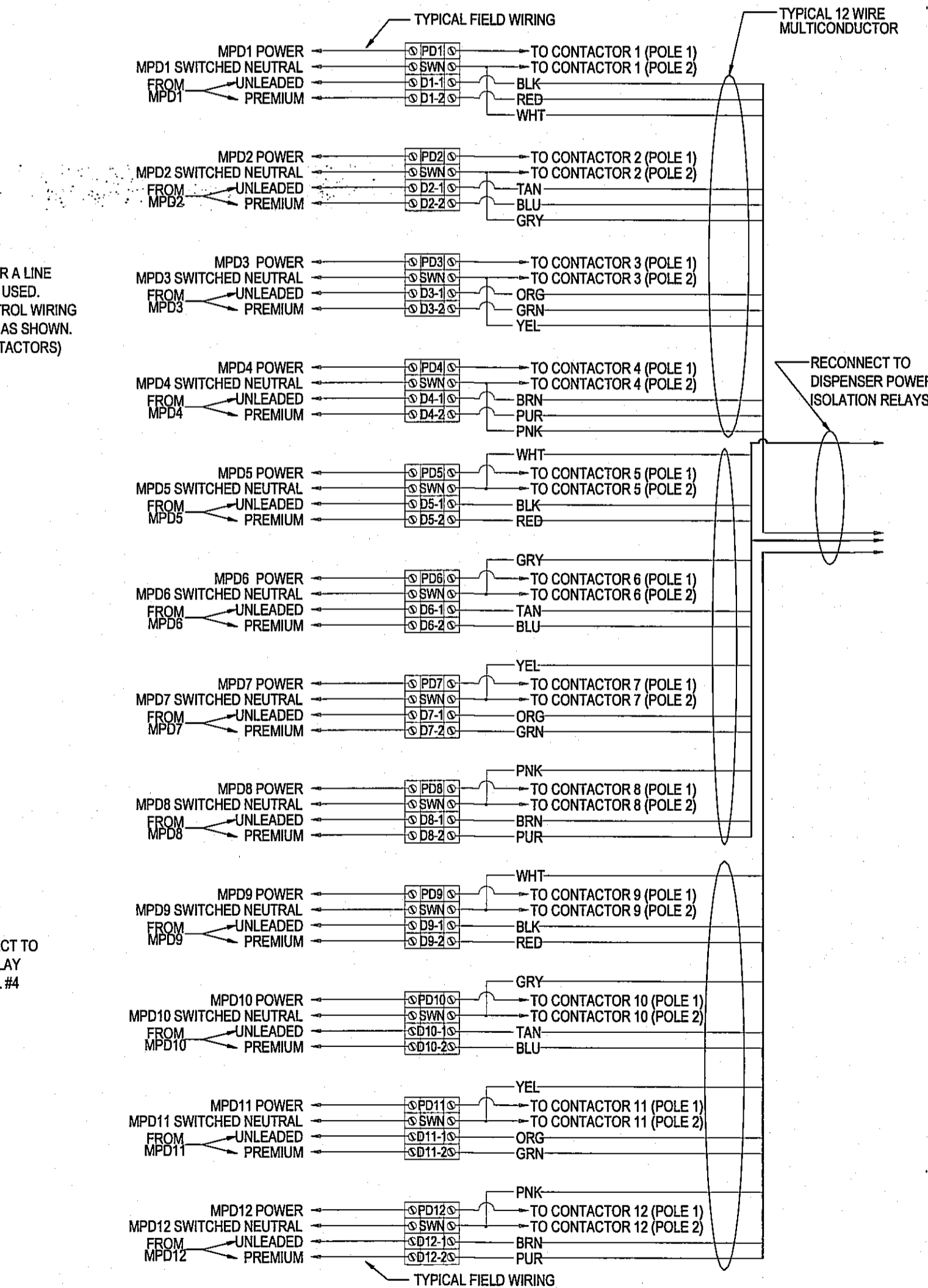
DETAIL - A - TYPICAL ARRANGEMENT OF UNDERGROUND DUCTBANK
NOT TO SCALE



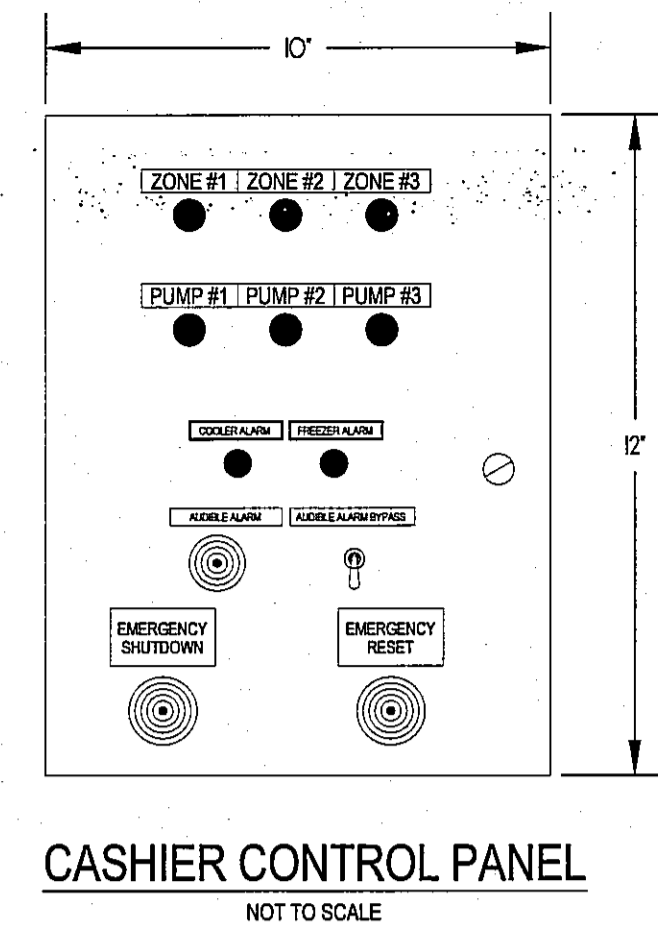
GROUND GRID DETAIL
NOT TO SCALE



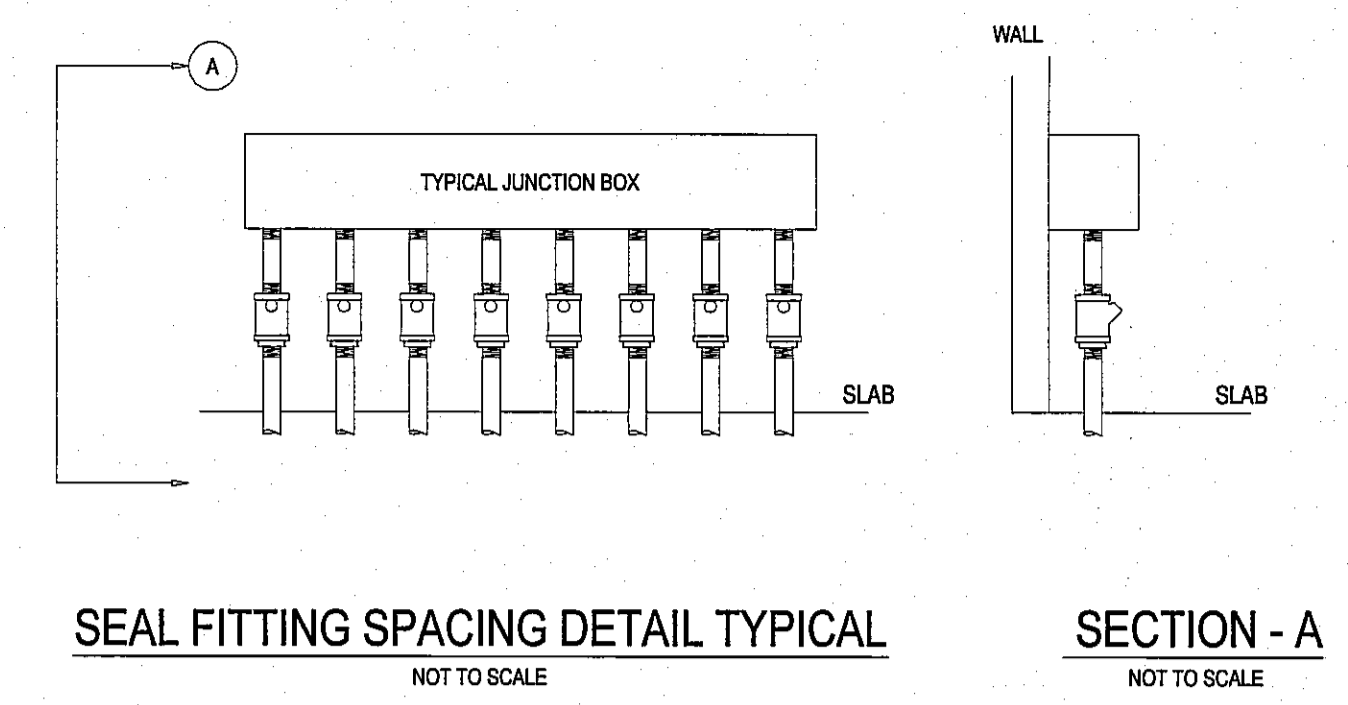
SUBMERSIBLE PUMP HOOK WIRING DIAGRAM
NOT TO SCALE



GAS DISPENSER POWER WIRING DIAGRAM
NOT TO SCALE

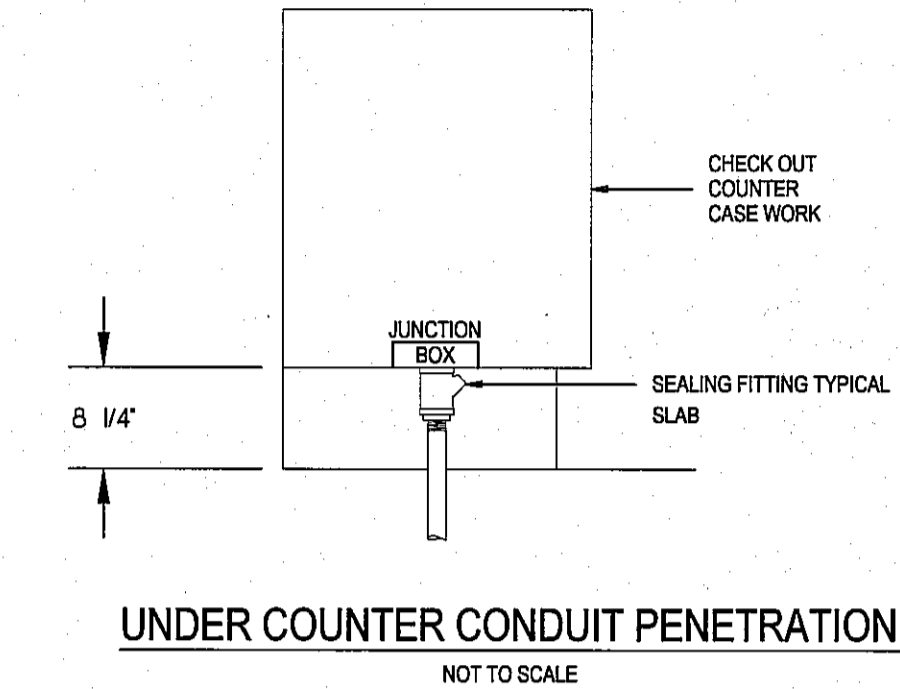


CASHIER CONTROL PANEL
NOT TO SCALE



SEAL FITTING SPACING DETAIL TYPICAL
NOT TO SCALE

SECTION - A
NOT TO SCALE



UNDER COUNTER CONDUIT PENETRATION
NOT TO SCALE

AHARONIAN & ASSOCIATES INC. ARCHITECTS
310 George Washington Highway
Suite 100
Smithfield, Rhode Island
02917
T 401-232-5010
F 401-232-8080
WWW.ARCH-ENG.COM

DISCLAIMER
OWNERSHIP AND USE OF DOCUMENTS, DRAWINGS AND SPECIFICATIONS ARE INSTRUMENTS OF PROFESSIONAL SERVICE AND SHALL REMAIN THE PROPERTY OF THE ARCHITECT. THESE DOCUMENTS ARE NOT TO BE USED, IN WHOLE OR IN PART, FOR ANY OTHER PROJECTS OR PURPOSES OR BY ANY OTHER PARTIES THAN THOSE PROPERLY AUTHORIZED BY CONTRACT WITHOUT THE EXPRESS WRITTEN AUTHORIZATION OF THE ARCHITECT.



REVISIONS

NUMBER	REMARKS	DATE

VINCENT A. DIORIO, INC. CONSULTING ENGINEERS
89 Access Road, Suite Eighteen
Norwood, Massachusetts 02062
tel: (781) 255-9754 fax: (781) 255-9725 email: vadjr@vadeng.com

FOR CONSTRUCTION

Cumberland FARMS
100 Crossing Blvd, Framingham, Massachusetts
STORE # 5604
Vxxxx

801 WASHINGTON AVE
PORTLAND, ME
Cumberland County

ELECTRICAL DETAILS

DATE JULY 20, 2012	PROJ NO 11112
DRAWN BY DJH	CHECKED BY VAD JR
DRAWING NUMBER E5.03	