

AHARONIAN & ASSOCIATES INC. ARCHITECTS

310 George Washington Highway
Suite 100
Smithfield, Rhode Island
02917

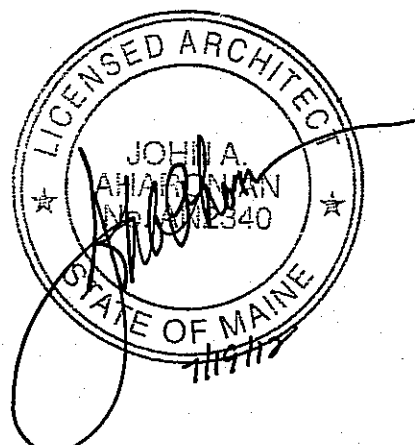
T 401-232-5010
F 401-232-5080
WWW.ARCH-ENG.COM

DISCLAIMER

OWNERSHIP AND USE OF DOCUMENTS, DRAWINGS AND SPECIFICATIONS ARE INSTRUMENTS OF PROFESSIONAL SERVICE AND SHALL REMAIN THE PROPERTY OF THE ARCHITECT. THESE DOCUMENTS ARE NOT TO BE USED, IN WHOLE OR IN PART, FOR ANY OTHER PROJECTS OR PURPOSES OR BY ANY OTHER PARTIES THAN THOSE PROPERLY AUTHORIZED BY CONTRACT WITHOUT THE EXPRESS WRITTEN AUTHORIZATION OF THE ARCHITECT.

REVISIONS

NUMBER	REMARKS	DATE



FOR CONSTRUCTION

PROJECT TITLE
Cumberland FARMS
100 Crossing Blvd, Framingham, Massachusetts
STORE # 5604
V1079

801 WASHINGTON AVE
PORTLAND, ME
Cumberland County

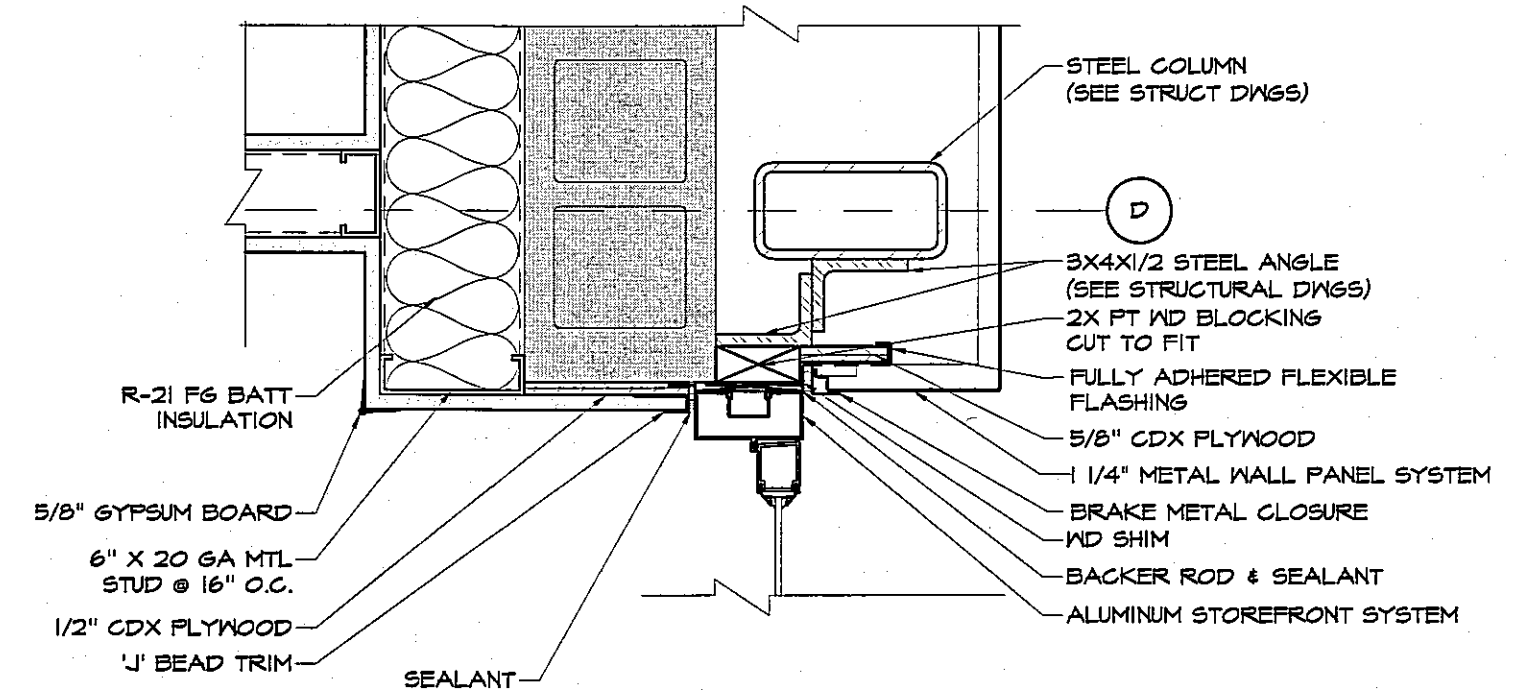
DRAWING TITLE

DOOR DETAILS

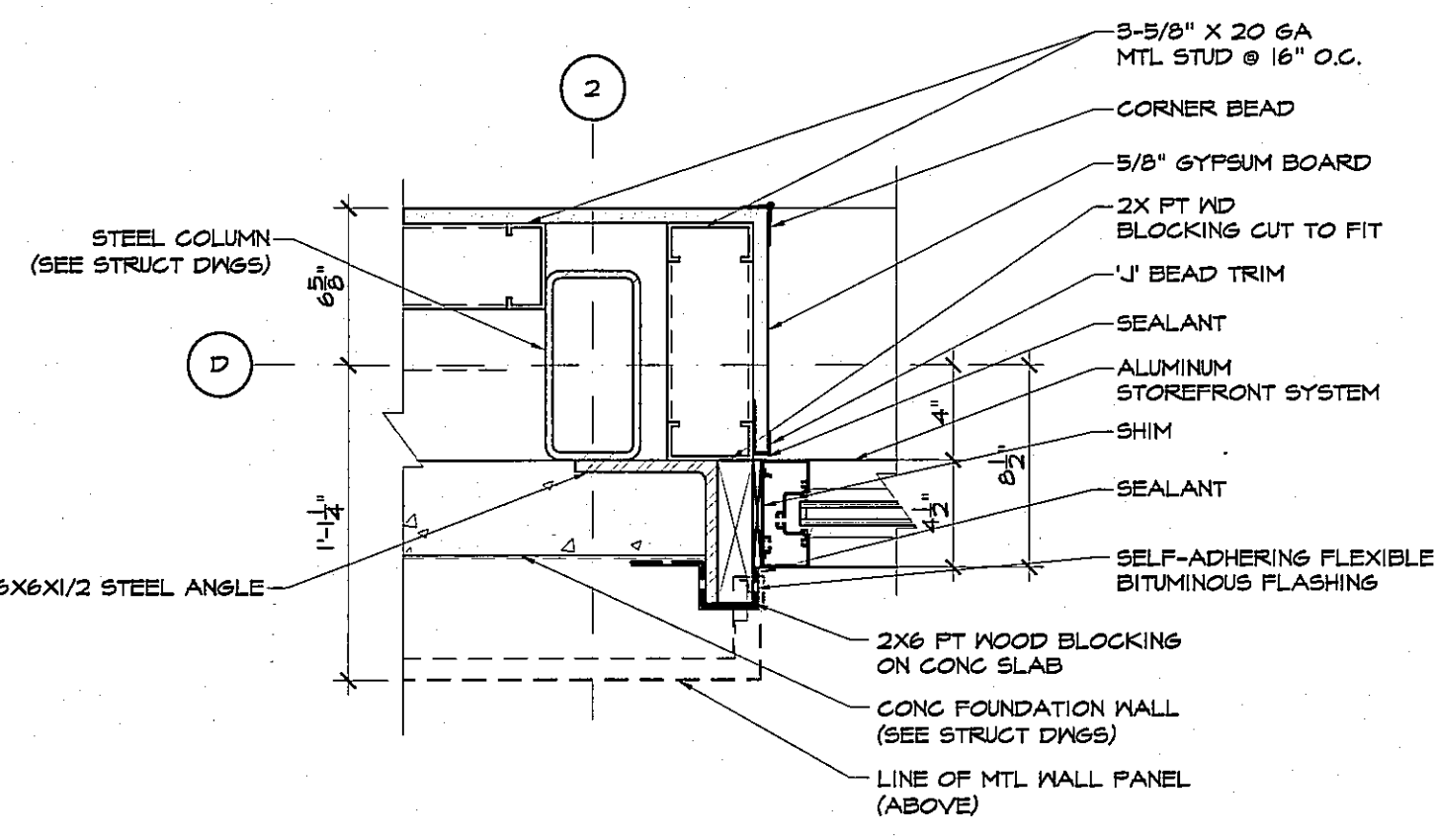
DATE JULY 19, 2012	PROJ NO 11112
DRAWN BY BB	CHECKED BY AZ

DRAWING NUMBER

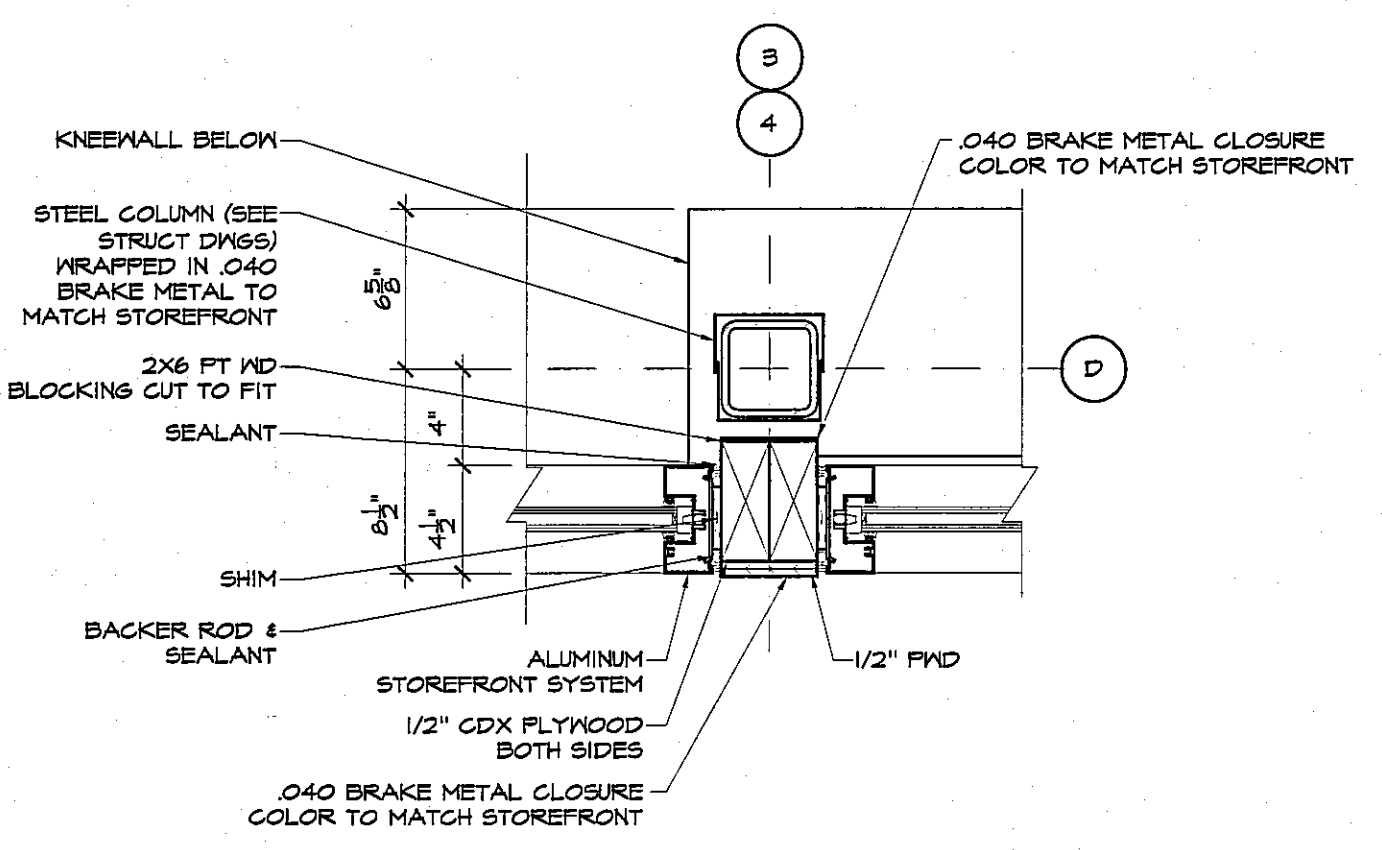
A2.1a



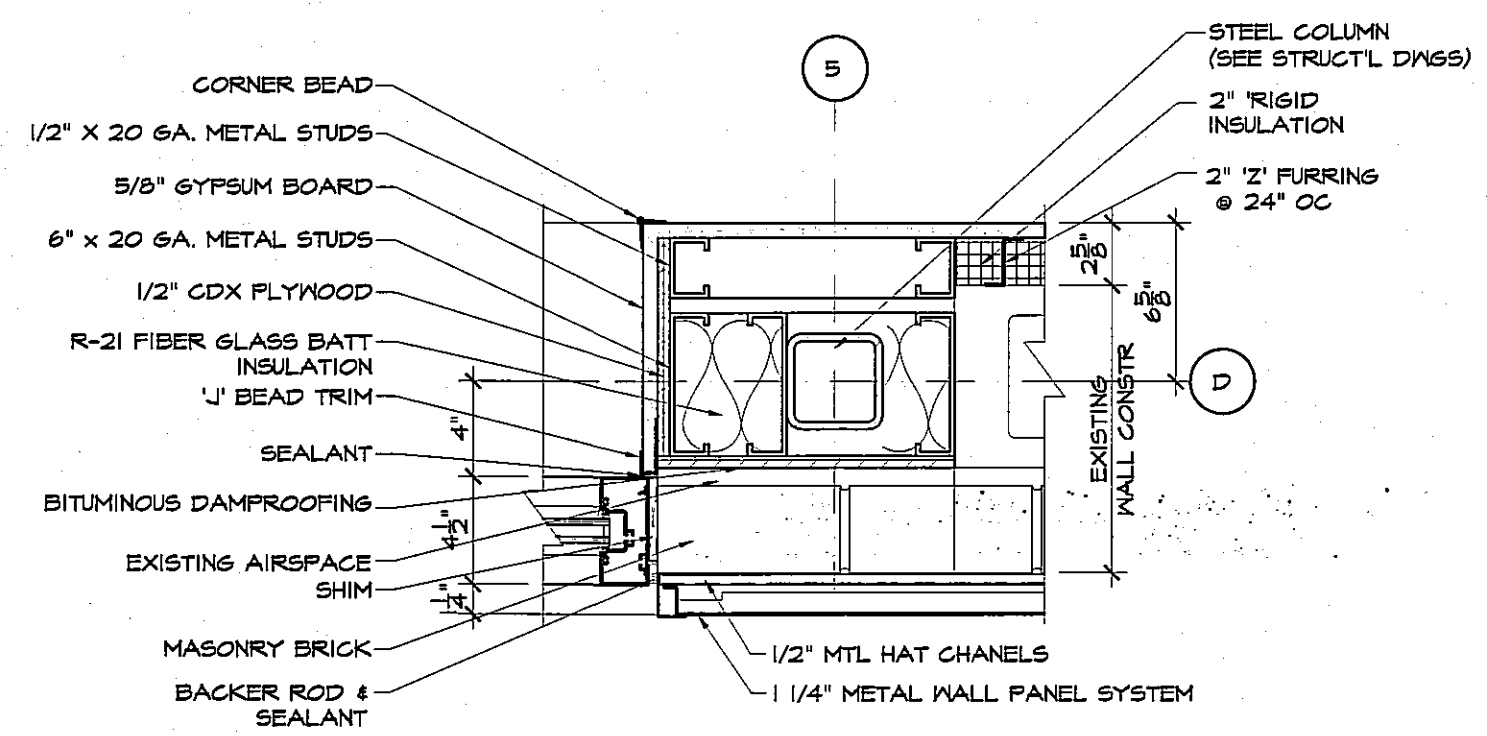
12 JAMB DETAIL @ STOREFRONT
A2.1 SCALE: 1-1/2" = 1'-0"



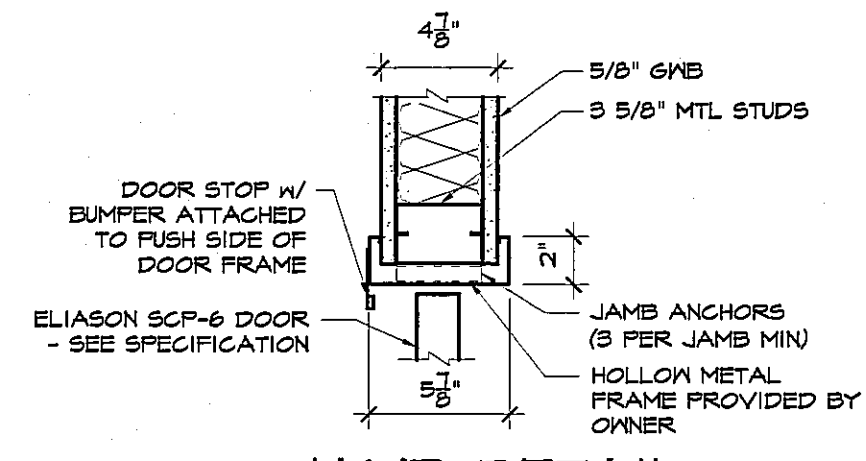
11 LOW JAMB DETAIL @ STOREFRONT
A2.1 SCALE: 1-1/2" = 1'-0"



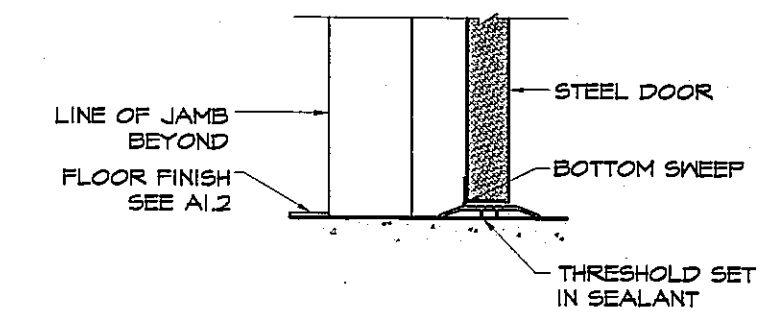
10 HIGH JAMB DETAIL @ STOREFRONT
A2.1 SCALE: 1-1/2" = 1'-0"



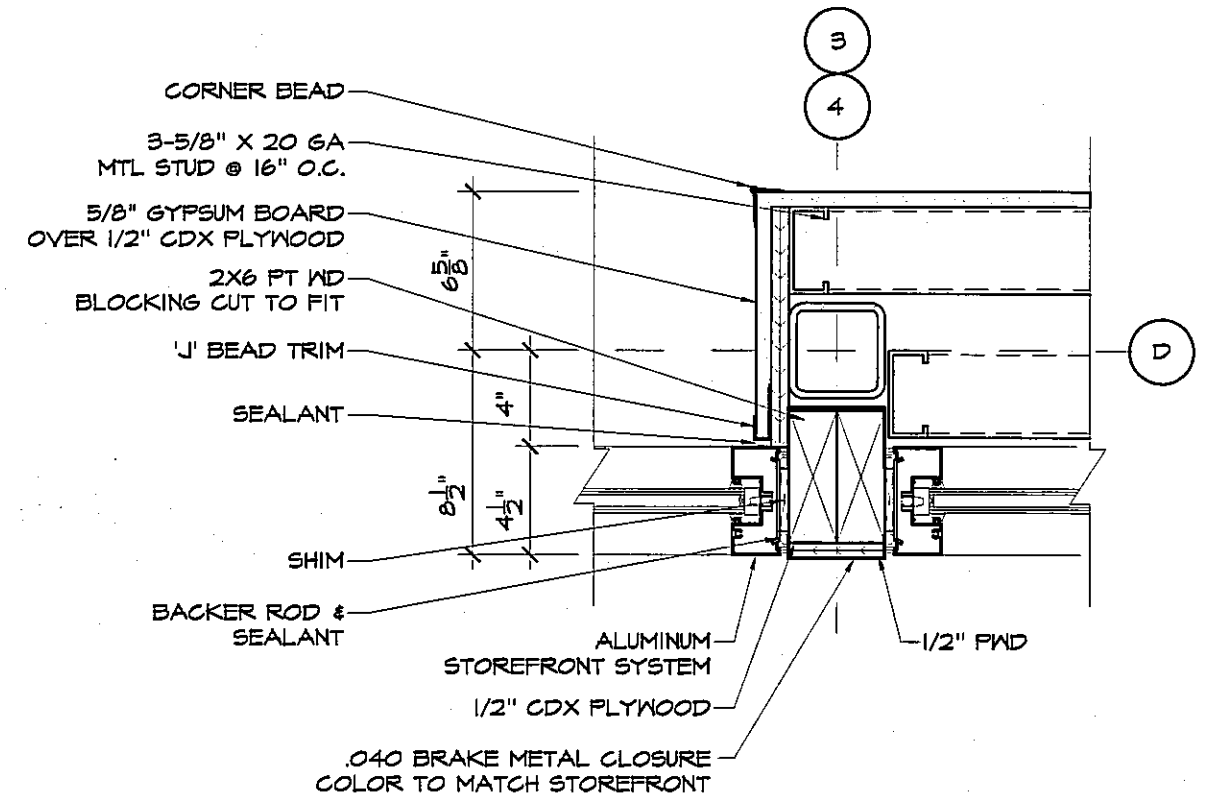
9 LOW JAMB DETAIL @ STOREFRONT
A2.1 SCALE: 1-1/2" = 1'-0"



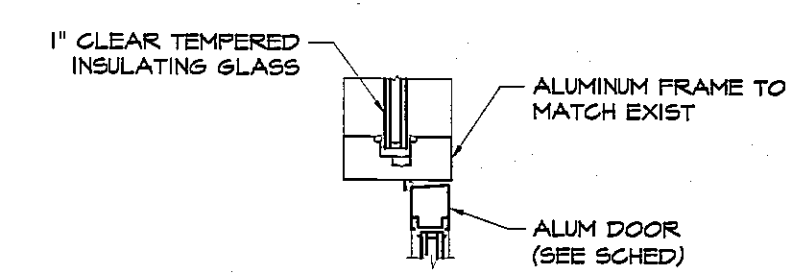
8 JAMB DETAIL @ ELIASON DOOR
A2.1 SCALE: 1 1/2" = 1'-0"



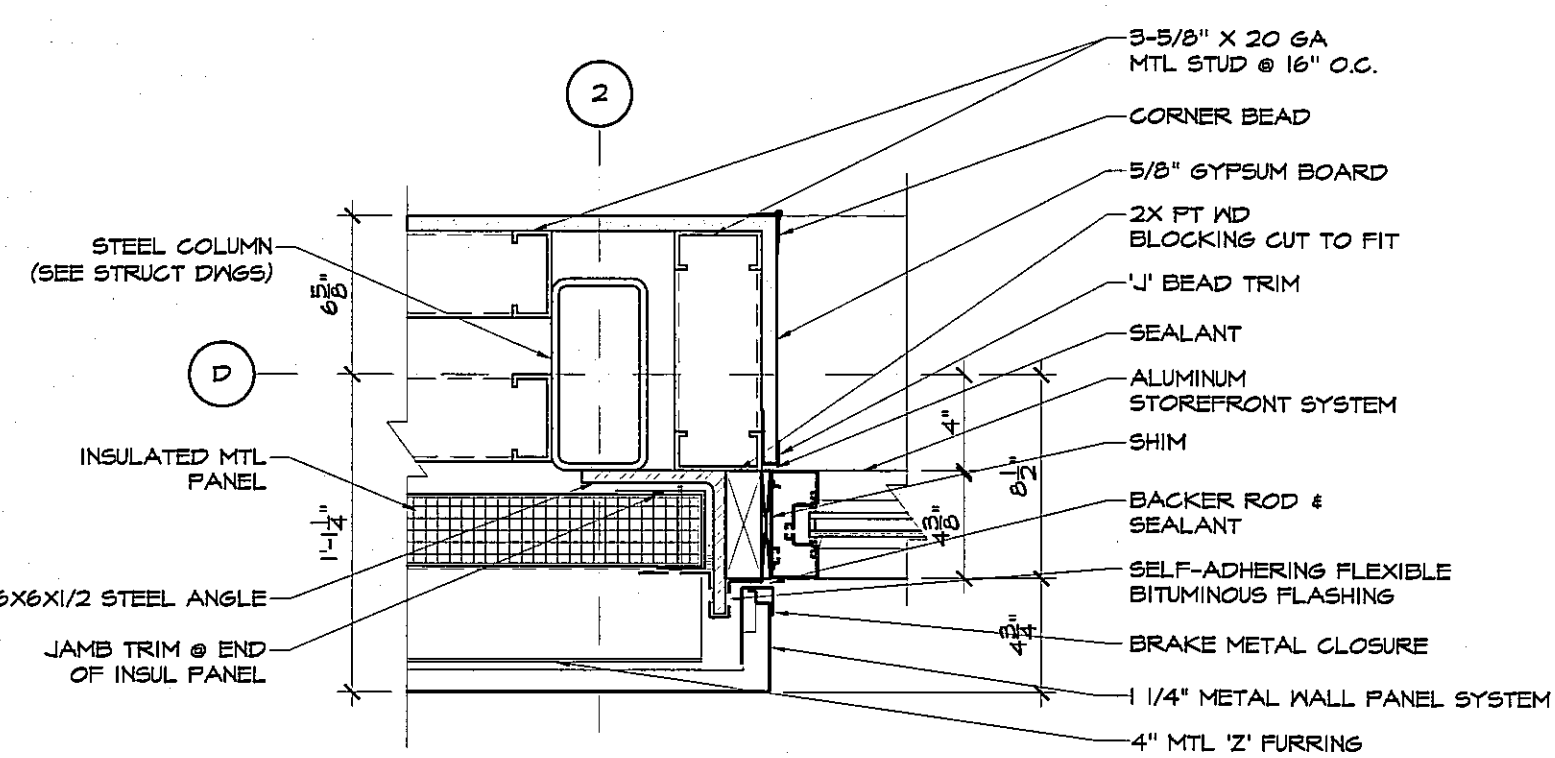
4 SILL DETAIL @ HM LOADING DOOR
A2.1 SCALE: 1 1/2" = 1'-0"



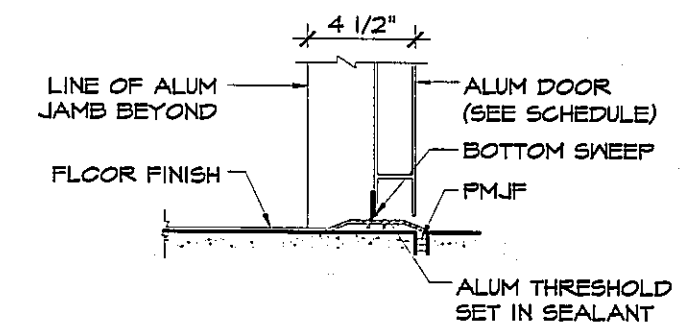
7 LOW JAMB DETAIL @ STOREFRONT
A2.1 SCALE: 1-1/2" = 1'-0"



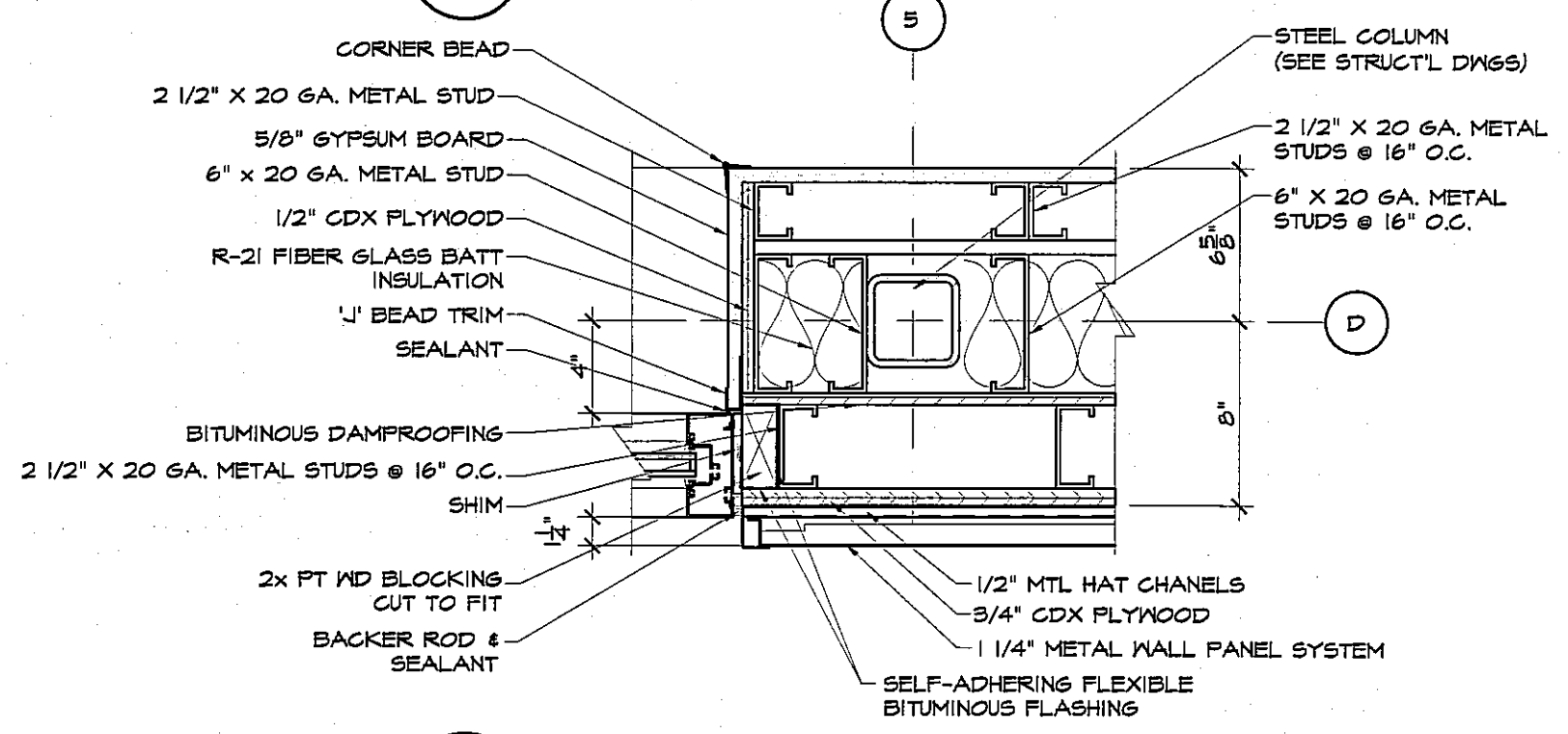
3 JAMB/HEAD DETAIL @ STOREFRONT
A2.1 SCALE: 1 1/2" = 1'-0"



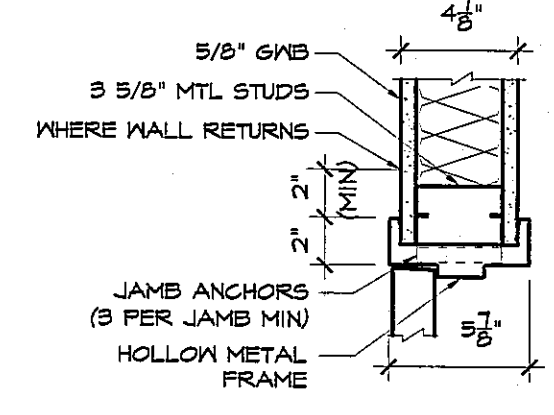
6 JAMB DETAIL @ STOREFRONT
A2.1 SCALE: 1-1/2" = 1'-0"



2 STOREFRONT THRESHOLD DETAIL
A2.1 SCALE: 1 1/2" = 1'-0"



5 HIGH JAMB DETAIL @ STOREFRONT
A2.1 SCALE: 1-1/2" = 1'-0"



1 TYP INT HEAD/ JAMB DETAIL
A2.1 SCALE: 1 1/2" = 1'-0"