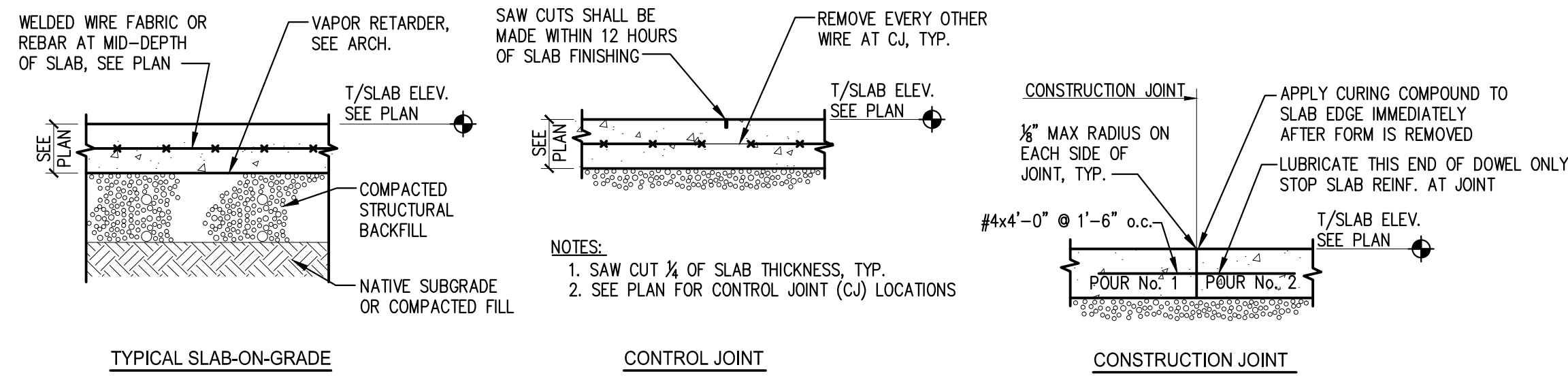
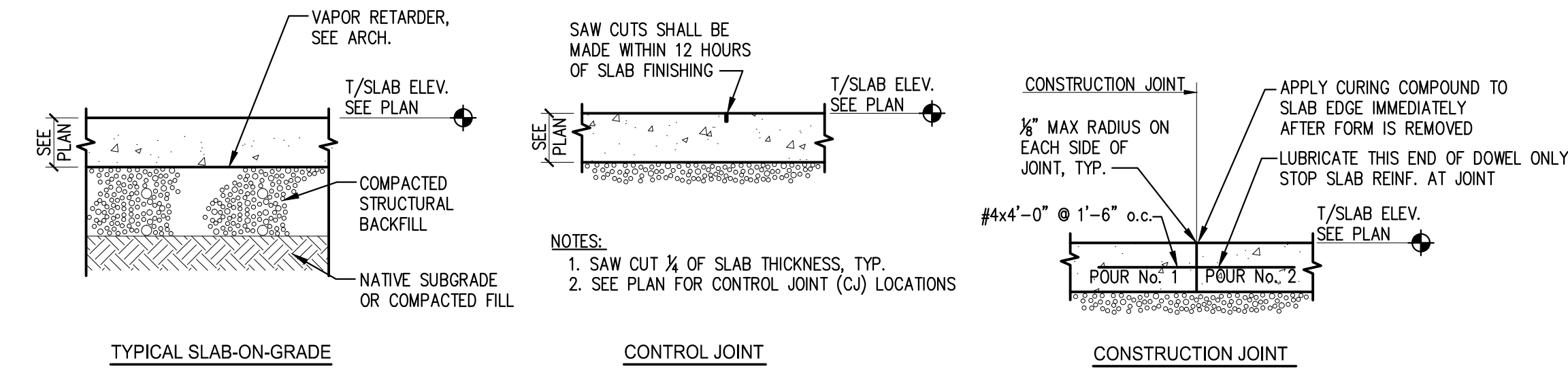


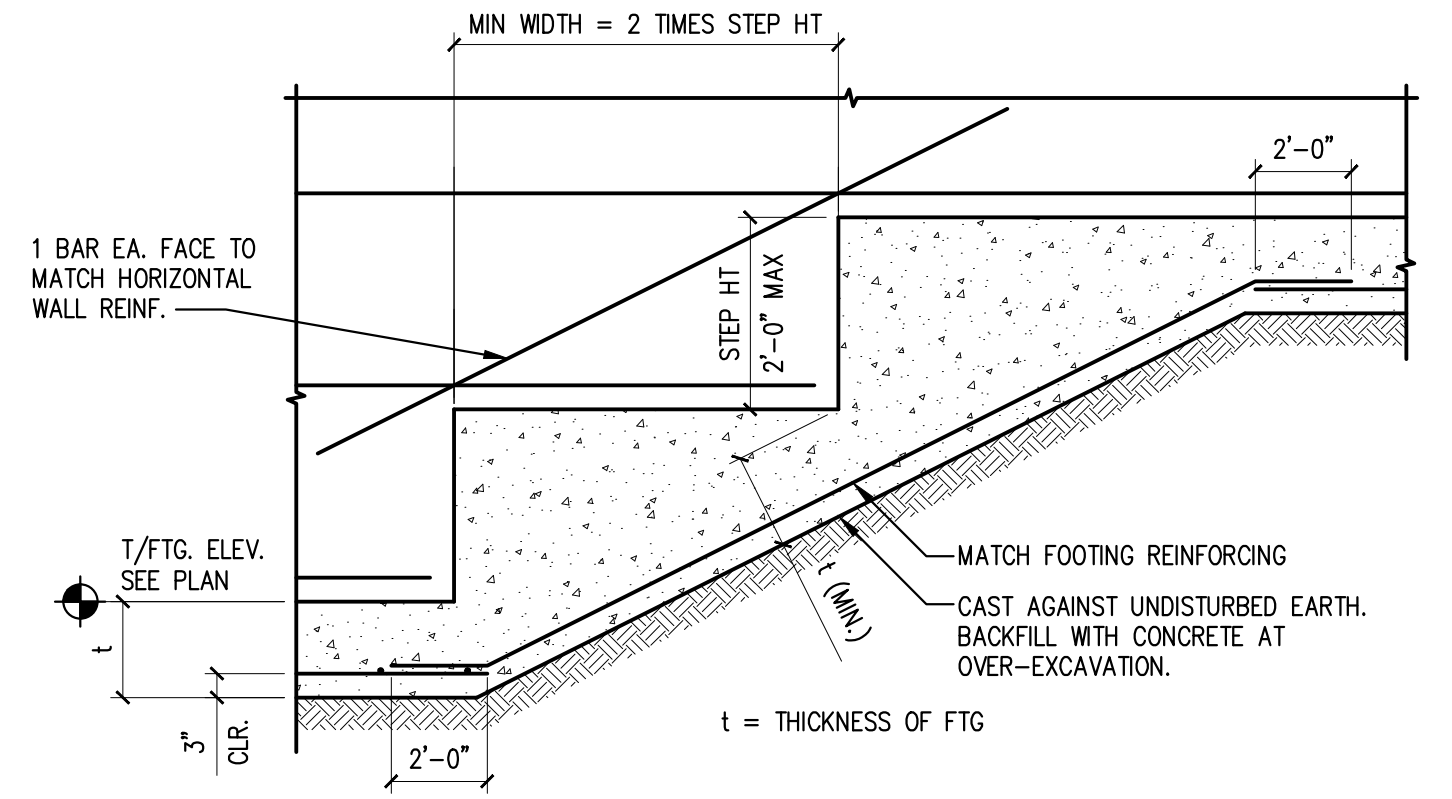
PRINTED: Feb 27, 2015



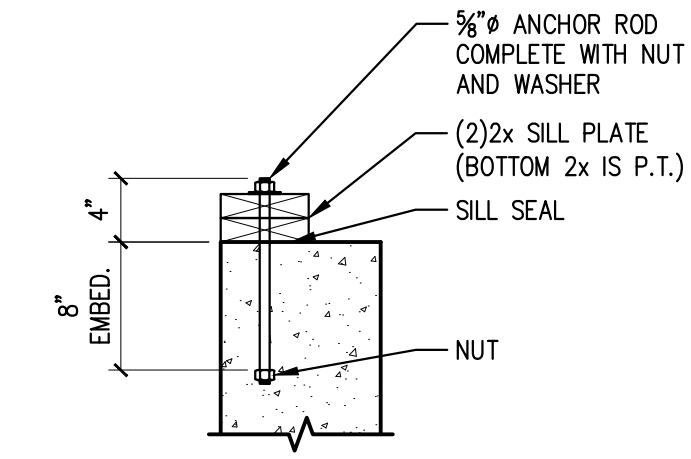
TYPICAL GARAGE SLAB-ON-GRADE DETAILS



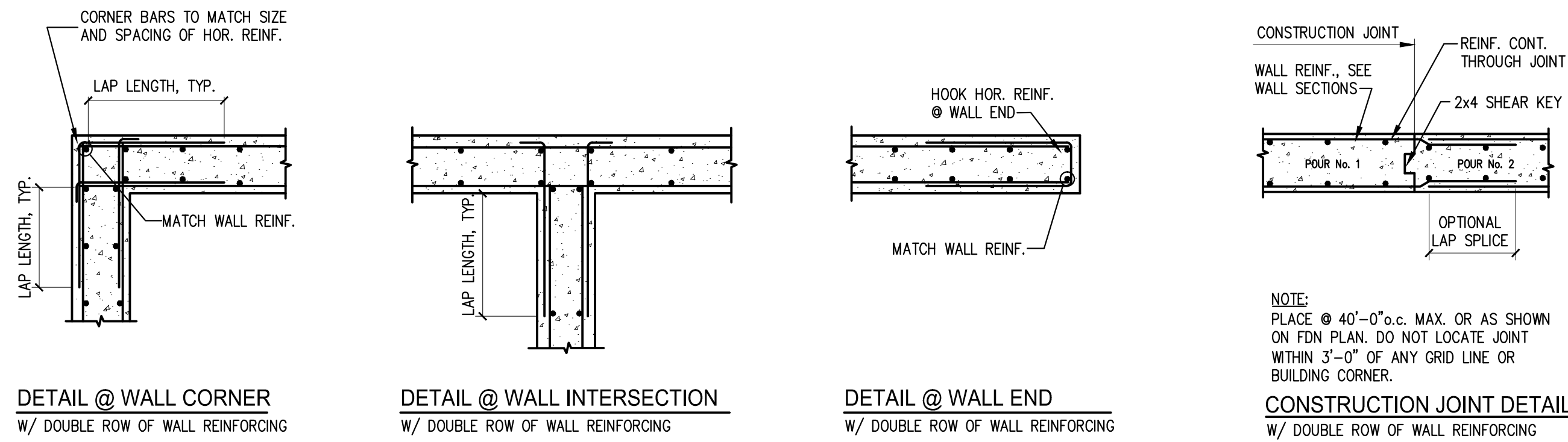
TYPICAL BASEMENT SLAB-ON-GRADE DETAILS



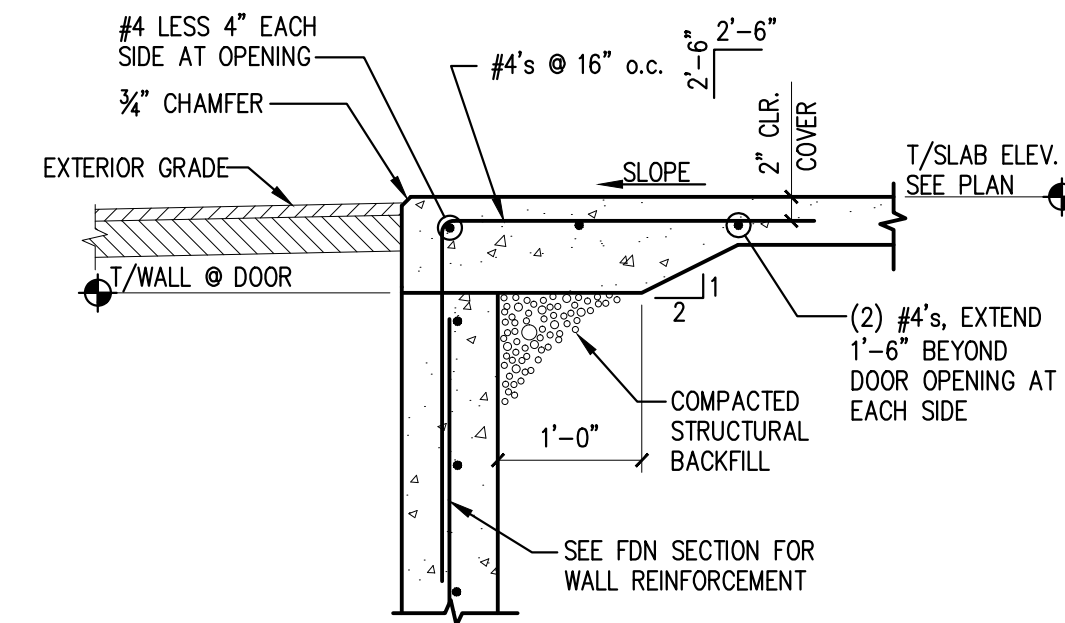
TYPICAL STEPPED FOOTING DETAIL



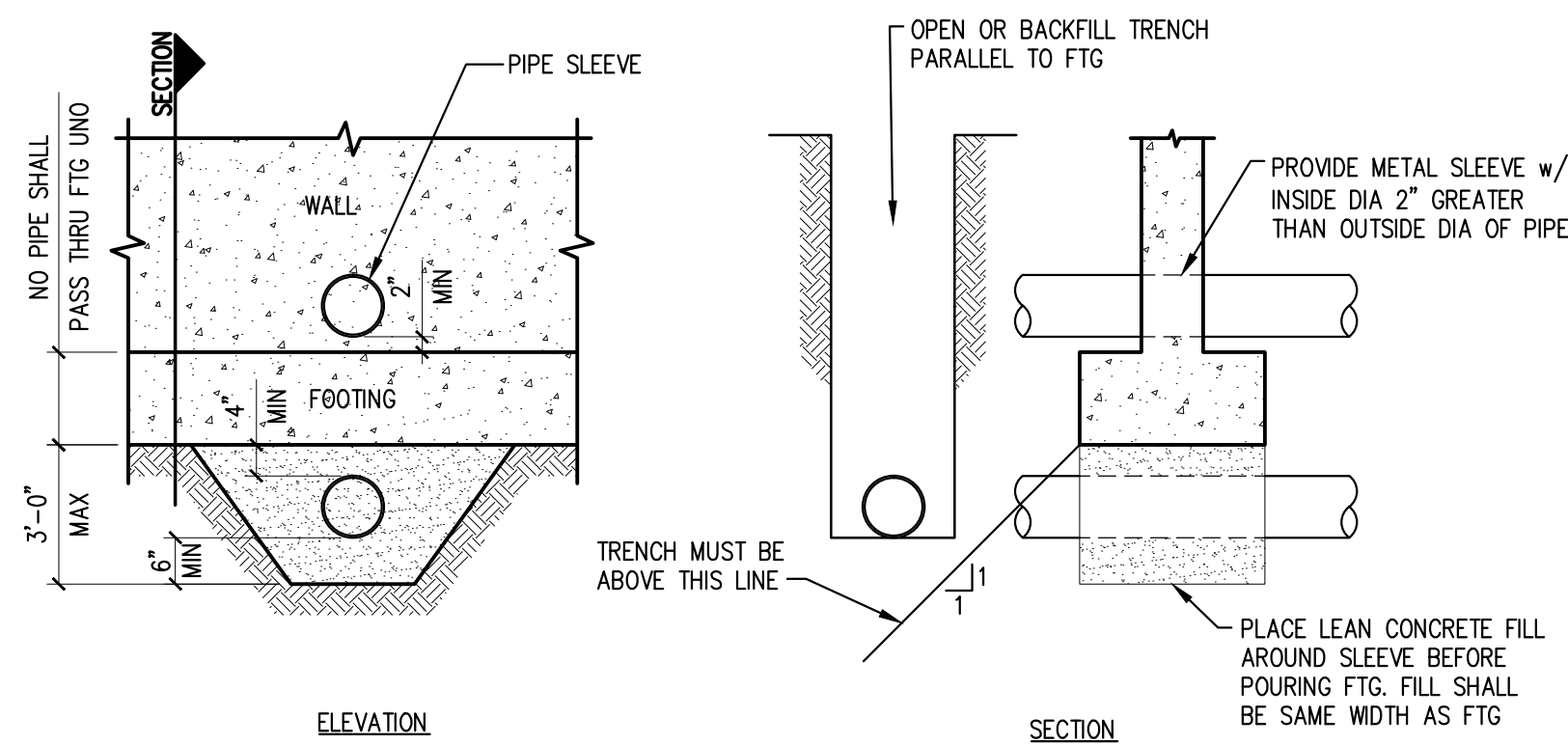
TYPICAL ANCHOR BOLT DETAIL



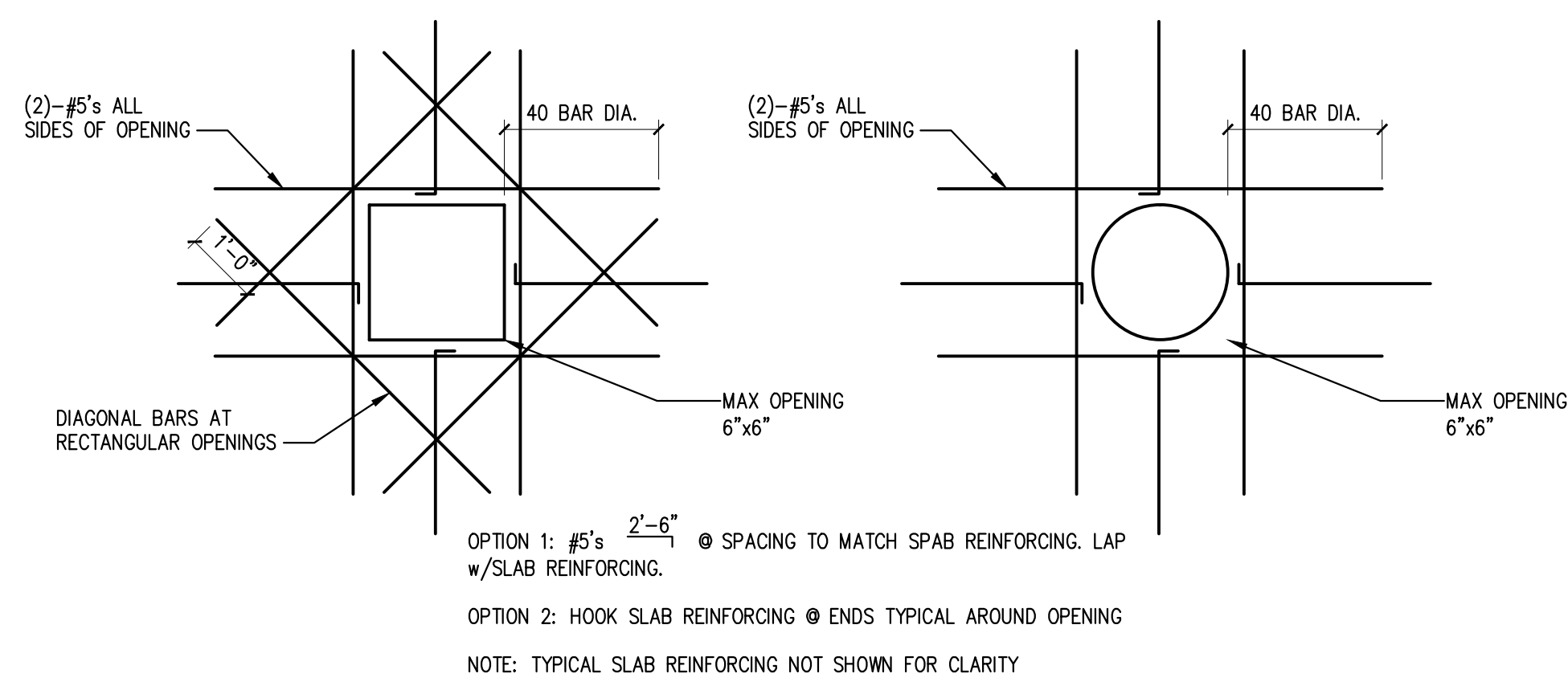
TYPICAL FOUNDATION WALL DETAILS



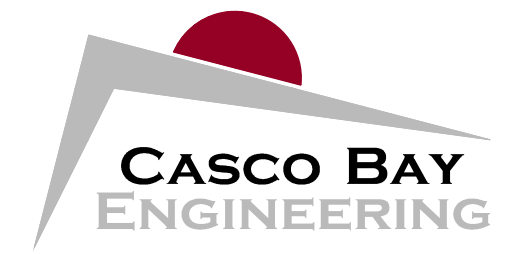
TYPICAL SLAB DETAIL AT DOOR



TYPICAL THROUGH WALL PENETRATION DETAIL



TYPICAL OPENING IN WALL OR SLAB DETAIL



424 Fore Street
 Portland, ME 04101
 Phone 207.842.2800
 Fax 207.842.2828
 www.cascobayengineering.com

CLIENT:
 WHIPPLE / CALLENDER
 ARCHITECTS
 136 PLEASANT AVE.
 PORTLAND, MAINE

PRELIMINARY
 NOT FOR CONSTRUCTION

OCEAN AVE. RESIDENCE
 524 OCEAN AVE
 PORTLAND, MAINE

BUILDING RENOVATION/ADDITION

No.	DESCRIPTION	ISSUED FOR PERMIT	DATE
			2-27-15
A			

SHEET TITLE:
 TYP. CONCRETE
 DETAILS AND
 SECTIONS

DESIGNED: PR
 DRAWN: PR
 DATE: 2-5-15
 PROJECT NUMBER: 15-019

S2.1