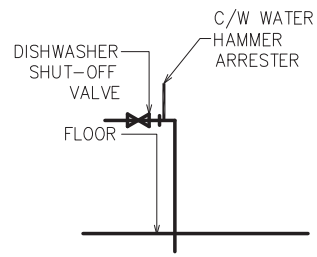
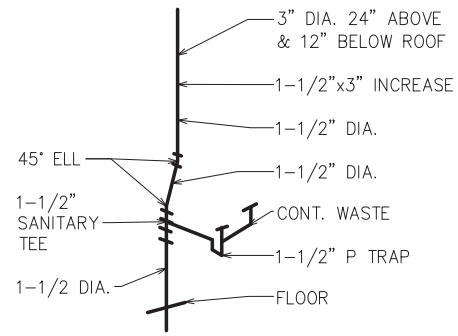


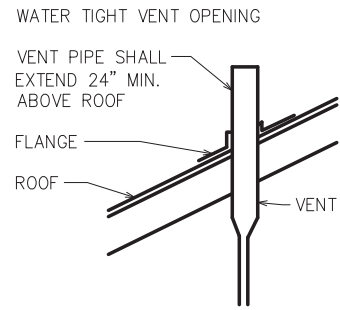
KITCHEN SINK & LAVATORY SUPPLY



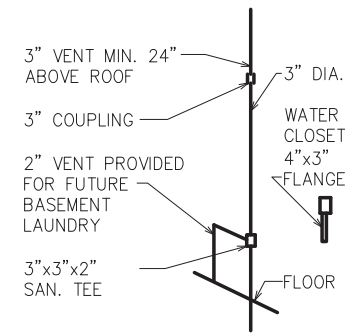
DISHWASHER HOOK-UP IF SEPARATE



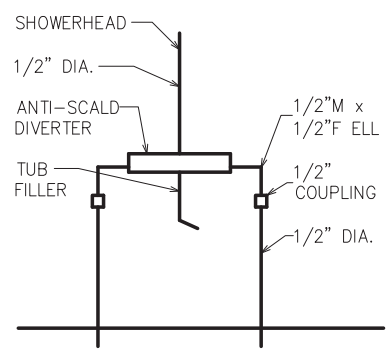
KITCHEN SINK & LAVATORY DRAIN & VENT



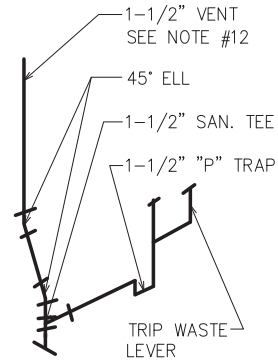
VENT PENETRATION DETAIL



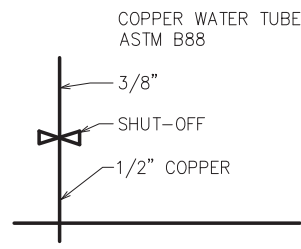
MAIN VENT & WASTE STACK



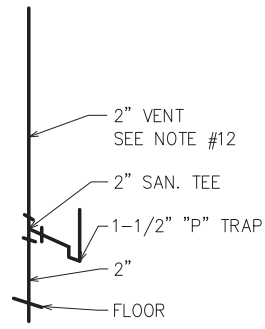
TUB & SHOWER SUPPLY



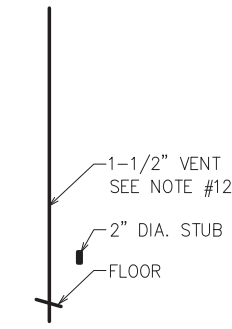
TUB & SHOWER DRAIN & VENT



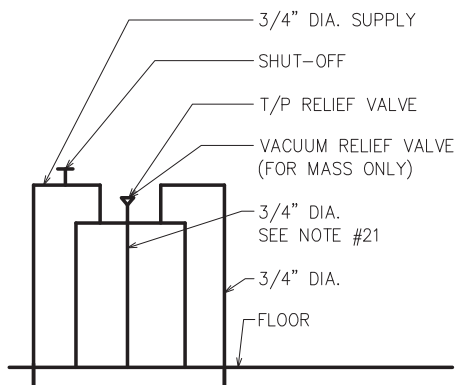
WATER CLOSET SUPPLY



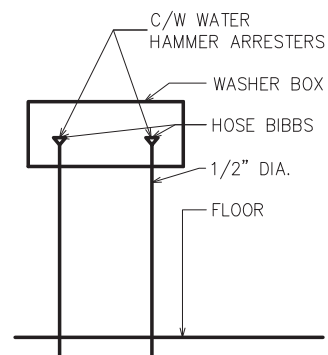
DISHWASHER DRAIN HOOK-UP



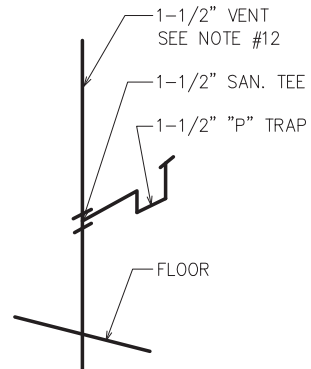
SHOWER DRAIN & VENT



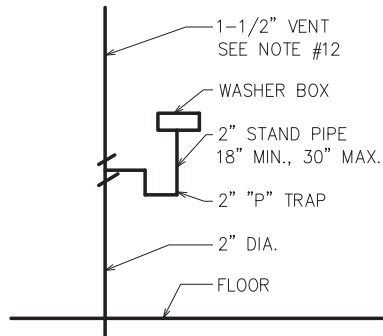
WATER HEATER SUPPLY
WATER HEATERS ARE SITE INSTALLED BY CONTRACTOR



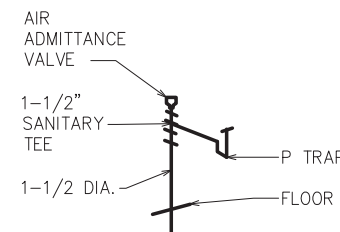
CLOTHES WASHER SUPPLY



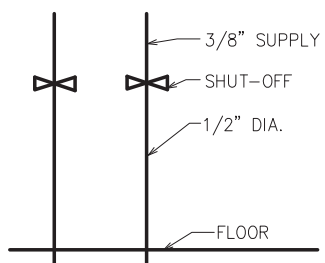
LAVATORY DRAIN & VENT



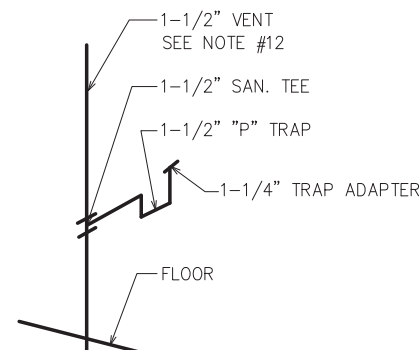
CLOTHES WASHER DRAIN & VENT



AIR ADMITTANCE VALVE



BIDET SUPPLY
C/W MIXING VALVE IF REQUIRED



BIDET DRAIN & VENT

PFS Corporation
Northeast Region
APPROVED
H Raup - 3
3/3/17
Approval limited to
Factory Built Portion

GENERAL NOTES 2009 UPC

- SHUT OFF VALVES ON ALL FIXTURES.
- NO HORIZONTAL SOFT COPPER.
- MAX. FLOW RATE FOR BATH FAUCETS: 2.2 GPM & SHOWERHEADS: 2.5 GPM. MAX. TOILET FLUSH RATE: 1.6 GPF
- DRAIN, WASTE, & VENT LINES ABS SCHEDULE 40 PIPE OR EQUAL.
- SUPPLY LINES ARE TYPE L COPPER.
- ALL WASTE LINES TO SLOPE 1/4" PER FT. TO MAIN WASTE LINE.
- ALL PLUMBING NOT SHOWN IS TO BE SUPPLIED & INSTALLED ON SITE AS PER BUILDER/OWNER CONTRACT.
- AUTO VENTS NOT PERMITTED.
- FROST FREE SILL COCK OPTIONAL OR AS CODE REQUIRES.
- INTERCONNECTION OF VENTS TO BE FACTORY COMPLETE WHERE PRACTICAL ABOVE CEILING.
- HEIGHT OF WATERPROOFING IN TUB & SHOWER SPACE IS 6'-0" MIN.
- THIS VENT EITHER INCREASED TO 3" DIA. 12" BELOW ROOF LINE OR ELBOWS OVER & CONNECTS TO MAIN VENT WITH 3"x3"x1-1/2" TEE.
- COPPER PIPE SHALL BE SUPPORTED EVERY 6'-0" HORIZONTALLY AND AT EACH STOREY HEIGHT NOT TO EXCEED 10'-0" VERTICALLY.
- PLASTIC PIPE SHALL BE SUPPORTED EVERY 4'-0" HORIZONTALLY AND VERTICALLY.
- BATHTUBS & SHOWERS ARE LISTED BY AN APPROVED AGENCY.
- WALL CONSTRUCTION FOR SHOWER COMPARTMENTS AND ABOVE BUILT-IN BATHTUBS TO BE IN COMPLIANCE WITH w/901.6g 901.6h.
- MODELS WITH BASEMENTS MAY LOCATE WASHER IN BASEMENT WITH ON SITE CONNECTION AS PER BUILDER/OWNER CONTRACT.
- ALL FACTORY-INSTALLED PLUMBING IS STUBBED THROUGH SUB-FLOORING WITH SUPPLY OF MATERIALS AND COMPLETION OF PLUMBING BY SITE CONTRACTORS IN ACCORDANCE WITH GOVERNING CODES.
- HORIZONTAL TO VERTICAL CONNECTIONS TO BE WITH SANITARY TEES.
- HORIZONTAL TO HORIZONTAL AND VERTICAL TO HORIZONTAL CONNECTIONS TO BE MADE WITH LONG TURN OR TEE WYE FITTINGS.
- MAXIMUM LENGTH FROM WASTE OUTLET TO TRAP WIER IS 24".
- MAXIMUM DISTANCE OF FIXTURE TRAP TO VENT: 1-1/2"=3'-6"; 2"=5'-0"; 3"=6'-0".
- ANTI-SCALD DEVICES WILL BE USED IN ALL SHOWERS.
- MINIMUM 24" VENT EXTENSION THROUGH ROOF.
- ALL SOLDER TO BE 95/5 LEAD FREE & MEET ASTM.
- ALL WATER HEATERS ARE SITE INSTALLED & SUPPLIED BY CONTRACTOR.
- ALL PIPE INSULATION TO BE INSTALLED BY SITE CONTRACTOR.
- ALL HORIZONTAL VENT BRANCH PIPING SHALL BE LOCATED A MINIMUM OF 6" ABOVE FLOOD LEVEL RIM OF HIGHEST FIXTURE SERVED.

SINGLE FAMILY TWO STOREY

- SECOND FLOOR FIXTURES OR FIXTURE GROUPS WILL HAVE DRAIN STACKS SEPARATE FROM FIRST FLOOR FIXTURES OR FIXTURE GROUPS.
- FIRST FLOOR FIXTURES WILL DRAIN HORIZONTALLY INTO HOUSE DRAIN.
- ACCESS FOR FIELD CONNECTION OF BOTH SUPPLY AND DWV SYSTEM WILL BE PROVIDED THROUGH OPEN PLUMBING CHASES AND OPEN PANELS IN SUB-FLOORING OF SECOND FLOOR.

PLUMBING MATERIAL SPECIFICATIONS

ALL FIXTURES AND MATERIALS SHALL CONFORM TO NATIONALLY RECOGNIZED STANDARDS

Revision Date	1	Revised by	1
Plumbing Schematics		MAINE	
		US	
Prestige Homes Inc. 14 Industrial Drive Sussex, New Brunswick E4E-2R8 Phone: (506)433-9130 Fax: (506)433-9141			
prestige HOMES <i>We're built differently.</i>			
Drawn By	ALK	Original Date	Apr 17/15
Sheet No.	—	Scale	3/16"=1'-0"