

GENERAL NOTES:

The structure is located at 355 Canco Road, Portland, Maine.
 The Project is known as: Portland Kingdom Hall of Jehovah's Witnesses

The existing building serves as a Kingdom Hall and has a one bedroom apartment attached to the side. The building is a one story, wood frame structure with a slab-on-ground and frost walls. The project consists of adding a 16 foot by 44 addition to one end of the building. The addition is to provide additional office and support rooms. The apartment and the main auditorium are not being modified in size or location.

Code Used: IBC 2009 & ASCE 7-10
 Use Group Classification: A-3
 Type of Construction: 5B
 Will the Structure have a Fire Suppression system in accordance with 903.3.1 of 2003 IRC?: No
 Is the structure mixed use?: Yes
 If yes, separated or non-separated?: It is unknown if the existing wall between the support rooms and the apartment is rated. A 2 hour separation will be installed between uses as required.
 Supervisory alarm system?: No
 Geotechnical/Soils report?: No

Design Loads on Construction Documents:
 Floor Area Use Loads Shown
 Assembly/Corridor 100 psf

Wind Loads
 Please see attached factors and calculations. ASCE 7-10 Section 28, Part 2 "Simplified Envelope Procedure" used.

Seismic Design
 Design Option utilized: Simplified Lateral Force Analysis Procedure from ASCE 7-10 section 12.14.8
 Seismic Risk Category: II
 Seismic Importance Factor: 1
 SDs: 0.256
 SD1: 0.128
 Site Class: D
 Seismic Design Category: B
 Basic Seismic force resisting system: Light frame (wood) wall sheathed with wood structural panels rated for shear resistance.
 R= 6.5
 Design Base Shear: 10,680 pounds

Basic loads
 Roof Live Load: 20 psf
 Sloped Roof Snow load: 42 psf
 Ground Snow load: 60 psf
 Flat roof snow load: 42 psf
 Snow exposure factor: 1
 Snow importance factor: 1
 Roof thermal factor: 1

Flood Information
 Flood Hazard Area: X zone
 Elevation of Structure: 75.5 feet

REMODELING PLANS

for the

PORTLAND KINGDOM HALL

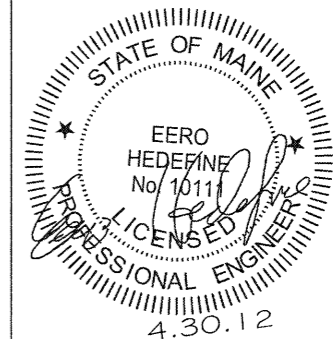
of

JEHOVAH'S WITNESSES

355 CANCO ROAD

PORTLAND, MAINE

<u>DRAWING INDEX</u>		
DWG	CAD #	DESCRIPTION
COVER	COVER_R8.dwg	COVER SHEET & DRAWING INDEX
DEMO.1	DEMO1_R8.dwg	GENERAL DEMOLITION PLAN
DEMO.2	DEMO2_R8.dwg	NORTH WALL DEMOLITION ELEVATION
RA2.1	RA201_R8.dwg	GENERAL FLOOR PLAN
RA3.1	RA301_R8.dwg	NORTH & WEST ELEVATIONS
RA3.2	RA302_R8.dwg	SOUTH & EAST ELEVATIONS
RA3.3	RA303_R8.dwg	DRIVE THRU DETAILS
RA3.4	RA304_R8.dwg	DRIVE THRU DETAILS, STRUCTURAL STEEL, COLUMNS & BEAMS
RA4.1	RA401_R8.dwg	BUILDING SECTIONS,
RA4.2	RA402_R8.dwg	BUILDING SECTIONS & DETAILS
RA4.3	RA403_R8.dwg	BUILDING SECTIONS, LIGHTING SCONCE LOCATIONS
RA5.1	RA501_R8.dwg	TYPICAL EXTERIOR WALL SECTION, BRICK VENEER
RA5.2	RA502_R8.dwg	PARTIAL PLAN VIEW, NEW TO EXISTING WALLS
RA6.1	RA601_R8.dwg	DOOR & WINDOW SCHEDULE
RA6.3	RA603_R8.dwg	ROOM FINISHES AND SEATING LAYOUT
RA7.1	RA701_R8.dwg	ENLARGED PLAN, EXISTING & PROPOSED
RA7.2	RA702_R8.dwg	INTERIOR ELEVATIONS, MENS ROOM AND HC ROOM
RA7.3	RA703_R8.dwg	INTERIOR ELEVATIONS, WOMENS ROOM AND MOTHERS ROOM
RA8.1	RA801_R8.dwg	REFLECTED CEILING PLAN
RA10.1	RA101_R8.dwg	CABINET DETAILS, LITRATURE AREA & SOUND CABINET
RA10.2	RA102_R8.dwg	CABINET DETAILS, INFO BOARD, REPO T CTR & CONT BOX
RA10.3	RA103_R8.dwg	CABINET DETAILS, LIBRARY CABINET & COAT RACK
RS2.1	RS201_R8.dwg	ROOF FRAMING PLAN
RF1.1	RF101_R8.dwg	FOUNDATION PLAN
RF1.2	RF102_R8.dwg	FOUNDATION SECTIONS, DETAILS



NO	DATE	REVISION	BY
6	2-25-12	ISSUED FOR REVIEW	JMH
7a	2-25-12	GENERAL NOTES ADDED	JMH
8	4-1-12	SHEET INDEX REVISED	JMH

COVER SHEET

PORTLAND, MAINE -- KINGDOM HALL

REMODEL OF EXISTING HALL

UNITED STATES OF AMERICA

DWN BY: JMH CKD BY:

SCALE: N/A

DATE: 10-30-11

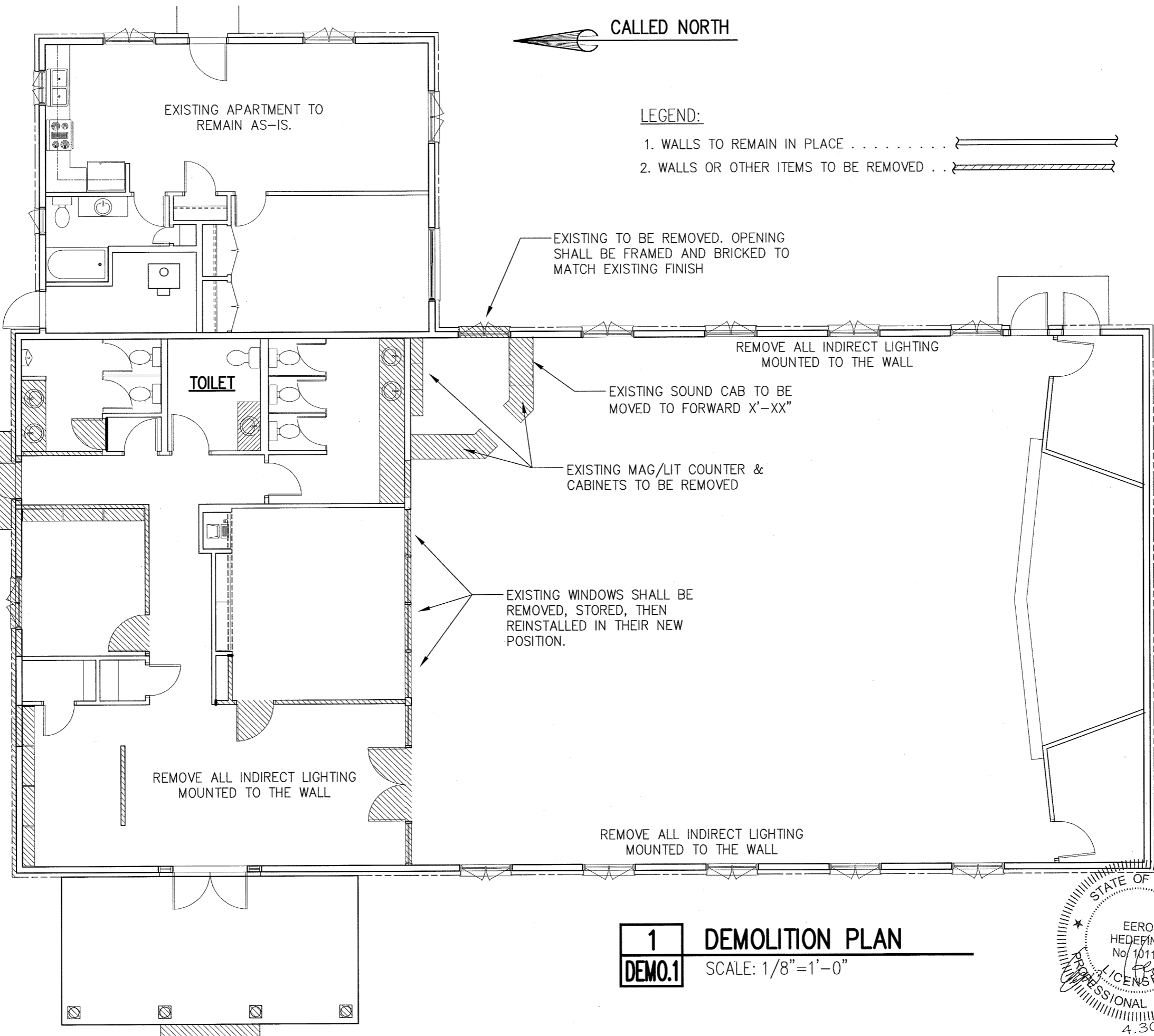
CAD #: COVER_R8.dwg

SHEET No. 1

COVER

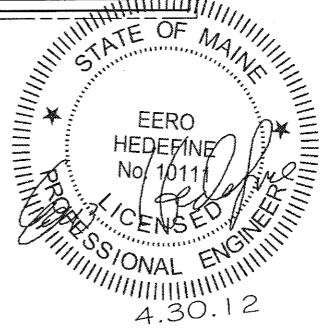
← CALLED NORTH

1
DEMO.2



- LEGEND:**
- 1. WALLS TO REMAIN IN PLACE
 - 2. WALLS OR OTHER ITEMS TO BE REMOVED

1 **DEMOLITION PLAN**
DEMO.1 SCALE: 1/8"=1'-0"



NO	DATE	REVISION	BY
6	2-11-12	ISSUED FOR REVIEW	JMH
8	4-1-12	ISSUED FOR APPROVAL	JMH

**DEMOLITION DETAILS
 FLOOR PLAN**

PORTLAND, ME – KINGDOM HALL
 REMODEL OF EXISTING HALL
 UNITED STATES OF AMERICA

SHEET TITLE

PROJECT TITLE

DWN BY: JMH CKD BY:

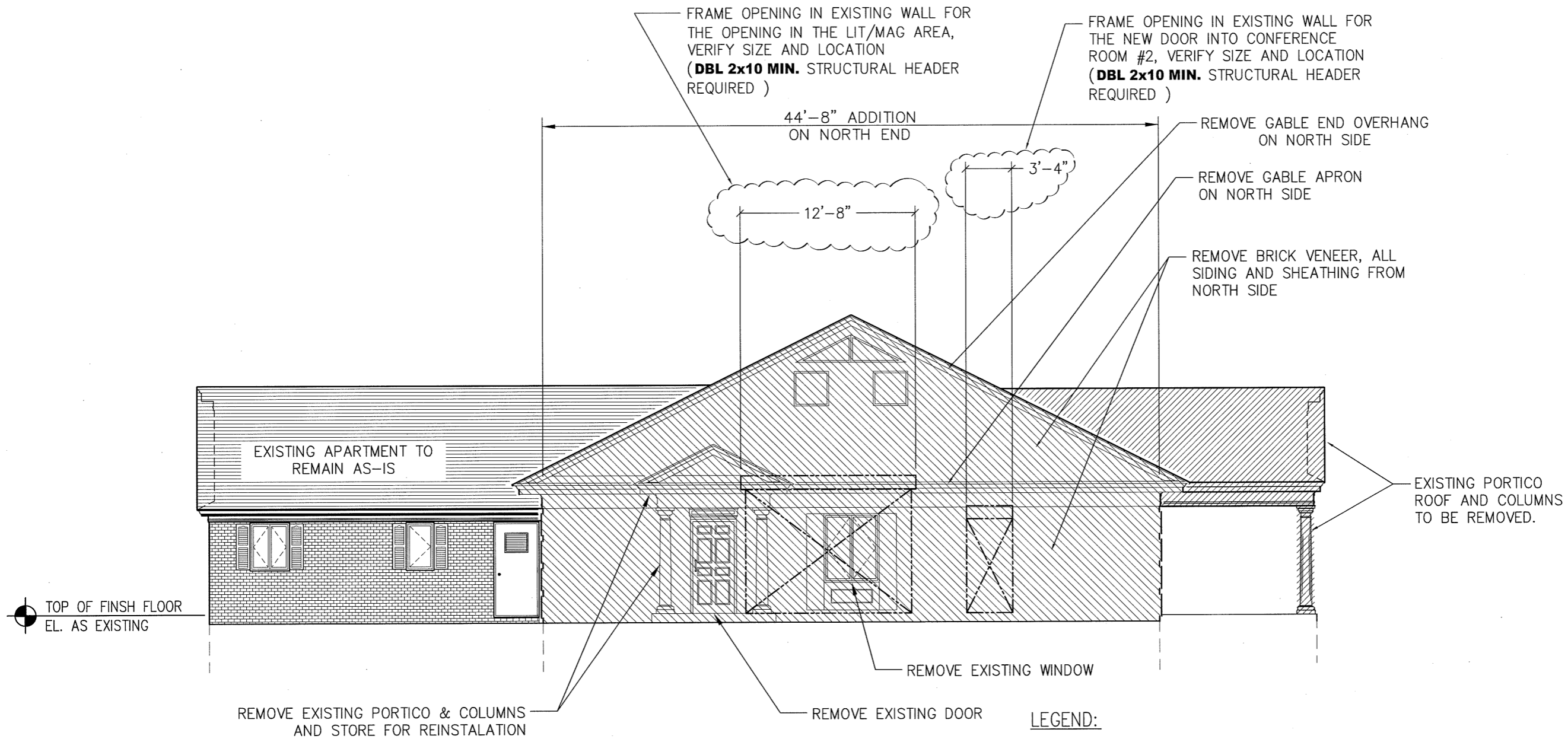
SCALE: 1/8"=1'-0"

DATE: 10-30-11

CAD #: DEMO1_R8.dwg

SHEET No. 2

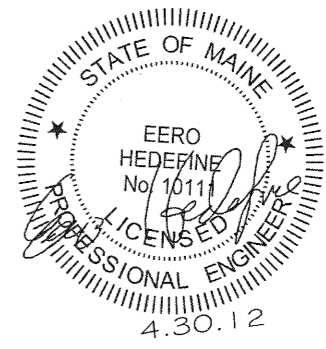
DEMO.1



LEGEND:

- 1. WALLS TO REMAIN IN PLACE
- 2. WALLS OR OTHER ITEMS TO BE REMOVED

1 NORTH ELEVATION
DEMO.1 SCALE: 1/8"=1'-0"



NO	DATE	REVISION	BY
6	2-11-12	ISSUED FOR REVIEW	JMH
8	4-1-12	ISSUED FOR APPROVAL	JMH

DEMOLITION DETAILS
NORTH WALL

PORTLAND, ME - KINGDOM HALL
 REMODEL OF EXISTING HALL
 UNITED STATES OF AMERICA

SHEET TITLE

DWN BY: JMH CKD BY: JMH

SCALE: 1/8"=1'-0"

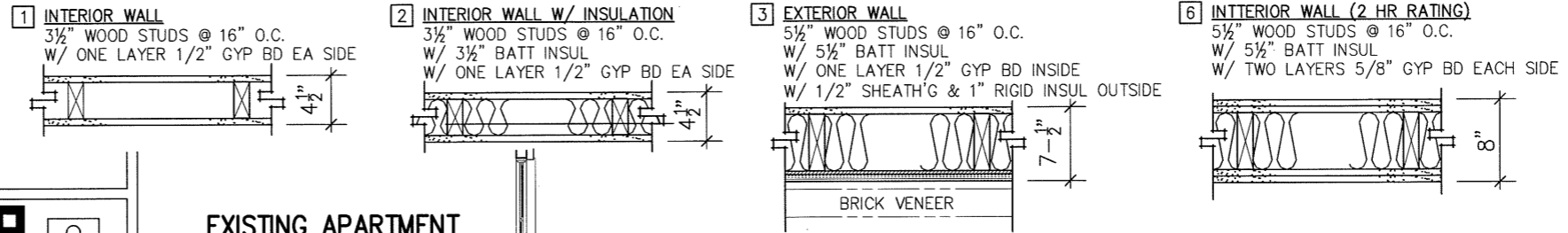
DATE: 10-30-11

CAD #: DEMO2_R8.dwg

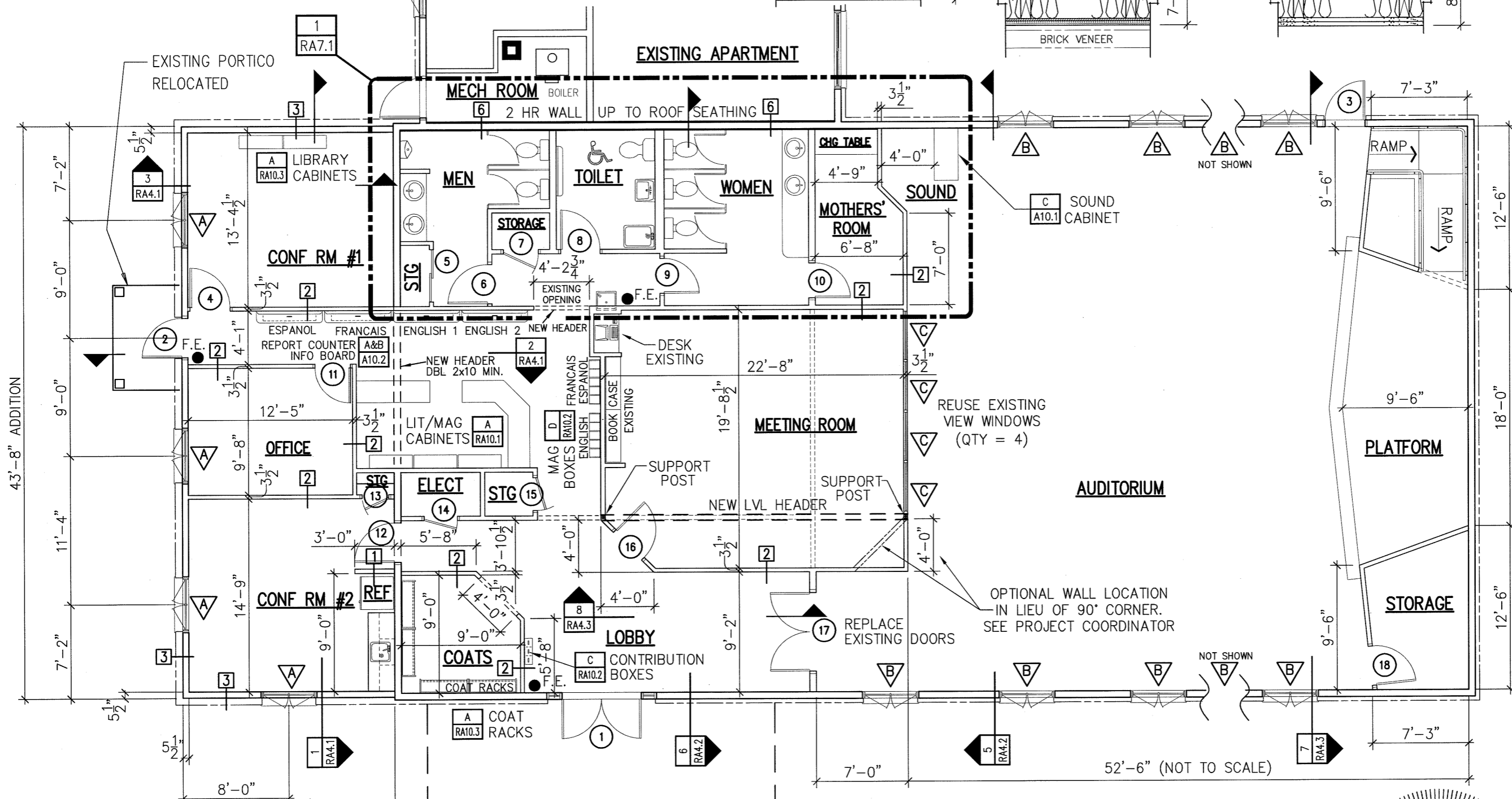
SHEET No. 3

DEMO.2

WALL TYPES



CALLLED NORTH

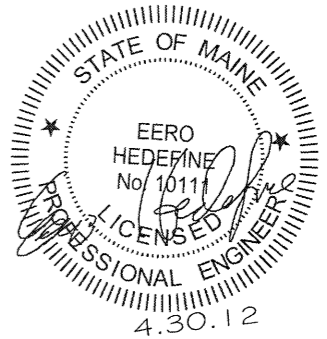
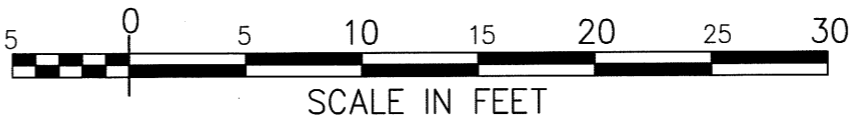


43'-8" ADDITION

16'-0" ADDITION

DRIVE THRU
(22' X 20')

1 FLOOR PLAN
RA2.1 SCALE: 1/8"=1'-0"

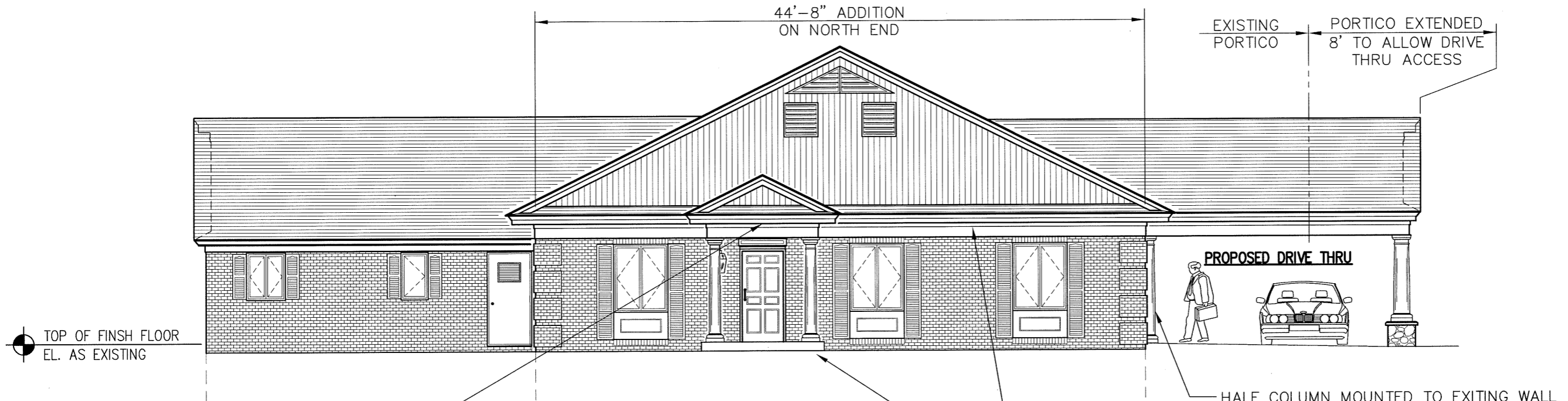


NO	DATE	REVISION
6	2-11-12	ISSUED FOR REVIEW
7	2-25-12	WALL TYPE 6 ADDED
8	4-1-12	DIMENSIONS REVISED

SHEET TITLE
GENERAL FLOOR PLAN
ADDITIONS & RENOVATION

PROJECT TITLE
PORTLAND, ME. - KINGDOM HALL
REMODEL OF EXISTING HALL
UNITED STATES OF AMERICA

DWN BY: WEM	CKD BY: JMH
SCALE: 1/8"=1'-0"	DATE: 11-10-2011
CAD #: RA201_R8.dwg	SHEET No. 4
RA2.1	

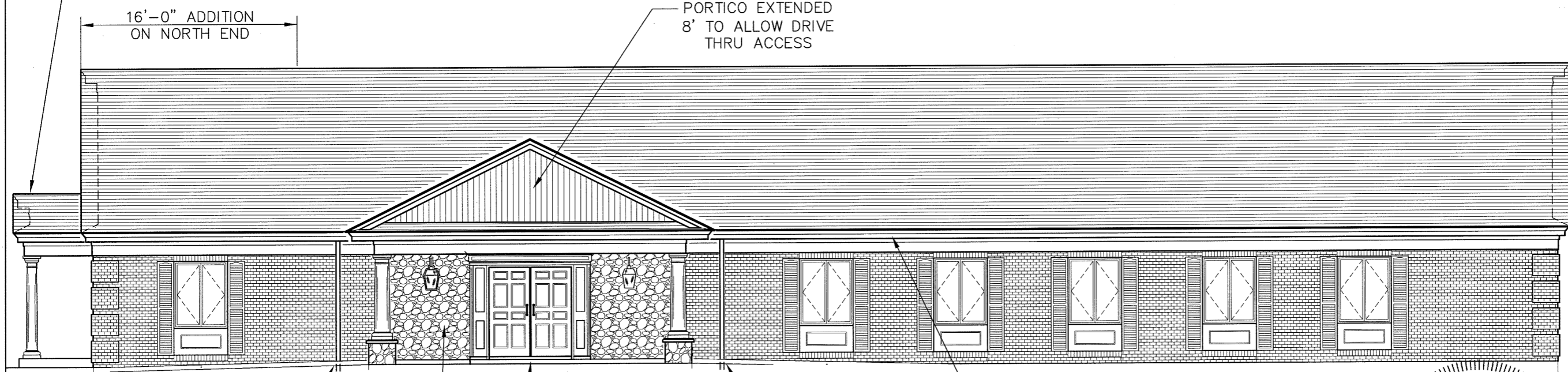


A NORTH ELEVATION
A3.1 SCALE: 1/8"=1'-0"

REUSED PORTICO FROM NORTH SIDE DOOR, VERIFY THAT THE PORTICO MEETS THIS MINIMUM DESIGN:
 RIDGE BOARD-----2x8
 RAFTERS-----2x6
 CEILING JOIST-----2x4
 (ACTING AS BOTTOM CHORD)
 SUPPORT HEADERS-----DBL 2x8

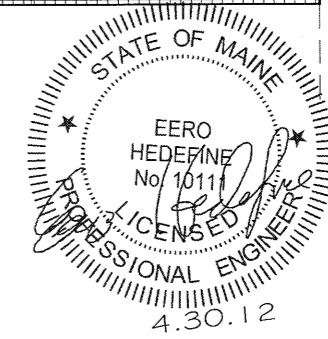
ALL ARCHITECTURAL FEATURES ON ON THE ADDITION AND EXTENDED WEST SIDE PORTICO ARE SIMILAR TO THE EXISTING BUILDING.

HALF COLUMN MOUNTED TO EXITING WALL TO DELINEATE BETWEEN EXISTING BRICK VENEER AND THE NEW VENEER WALL STONE



B WEST ELEVATION
A3.1 SCALE: 1/8"=1'-0"

ALL ARCHITECTURAL FEATURES ON ON THE ADDITION AND EXTENDED WEST SIDE PORTICO ARE SIMILAR TO THE EXISTING BUILDING.



NO	DATE	REVISION	BY
6	2-11-12	ISSUED FOR REVIEW	JMH
8	4-1-12	DETAILS FOR NORTH PORTICO ADDED	JMH

SHEET TITLE
NORTH & WEST ELEVATIONS

PROJECT TITLE
PORTLAND, ME - KINGDOM HALL
 REMODEL OF EXISTING HALL
 UNITED STATES OF AMERICA

DWN BY: JMH CKD BY: JMH
 SCALE: 1/8"=1'-0"
 DATE: 6-1-11
 CAD #: RA301_R8.dwg
 SHEET No. 5
RA3.1

PORTICO EXTENDED
8' TO ALLOW DRIVE
THRU ACCESS

EXISTING PORTICO

COIL STOCK OVER
EXISTING TRIM

PROPOSED DRIVE THRU

TOP OF FINSH FLOOR
EL. AS EXISTING

HALF COLUMN MOUNTED TO
EXITING WALL TO DELINEATE
BETWEEN EXISTING BRICK
VENEER AND THE NEW VENEER
WALL STONE

ALL ARCHITECTURAL FEATURES ON
ON THE ADDITION AND EXTENDED
WEST SIDE PORTICO SHALL MATCH
THE EXISTING BUILDING.

A **SOUTH ELEVATION**
A3.2 SCALE: 1/8"=1'-0"

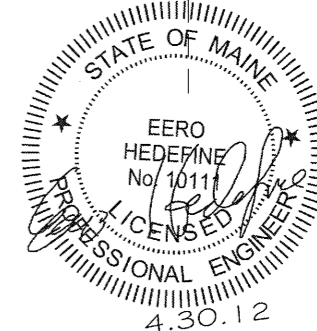
REUSED PORTICO
FROM NORTH SIDE DOOR,
SEE DESIGN NOTE ON SHEET
RA3.1

16'-0" ADDITION
ON NORTH END

EXISTING WINDOW TO BE REMOVED
AND BRICKED IN TO MATCH
EXISTING BRICK.

B **EAST ELEVATION**
A3.2 SCALE: 1/8"=1'-0"

ALL ARCHITECTURAL FEATURES ON
ON THE ADDITION AND EXTENDED
WEST SIDE PORTICO SHALL BE
SIMILAR TO THE EXISTING BUILDING.

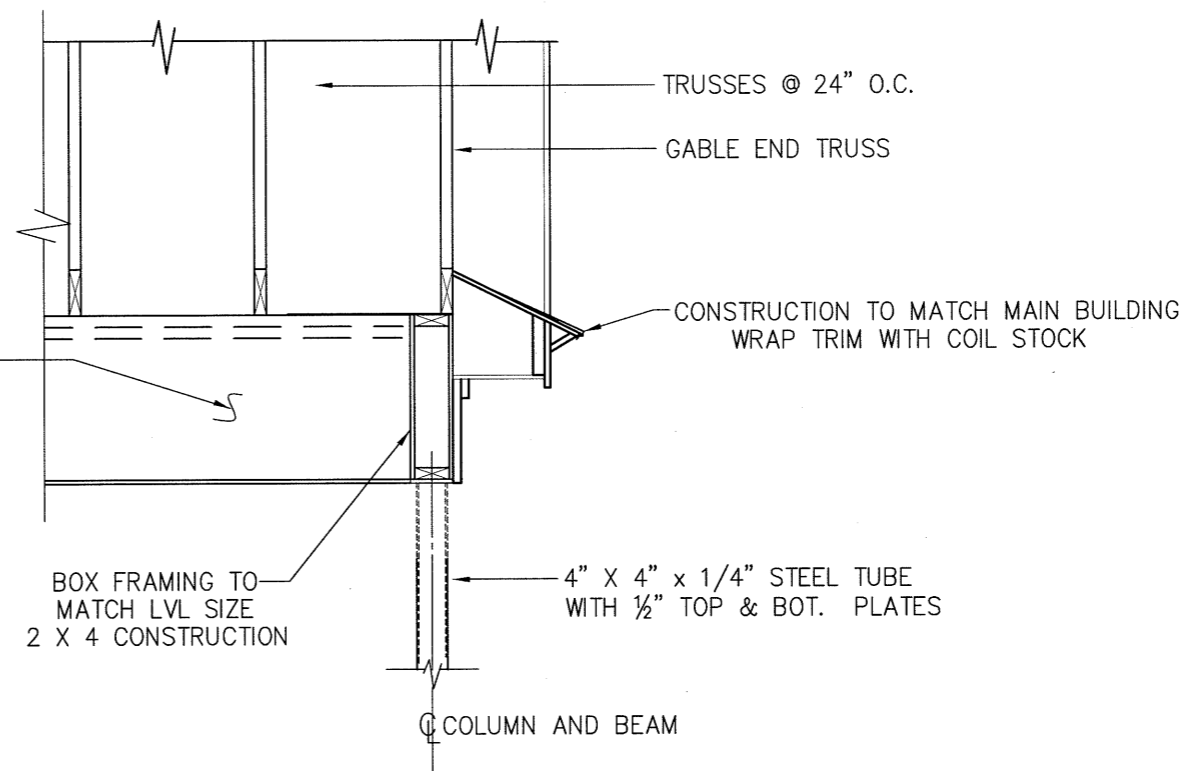
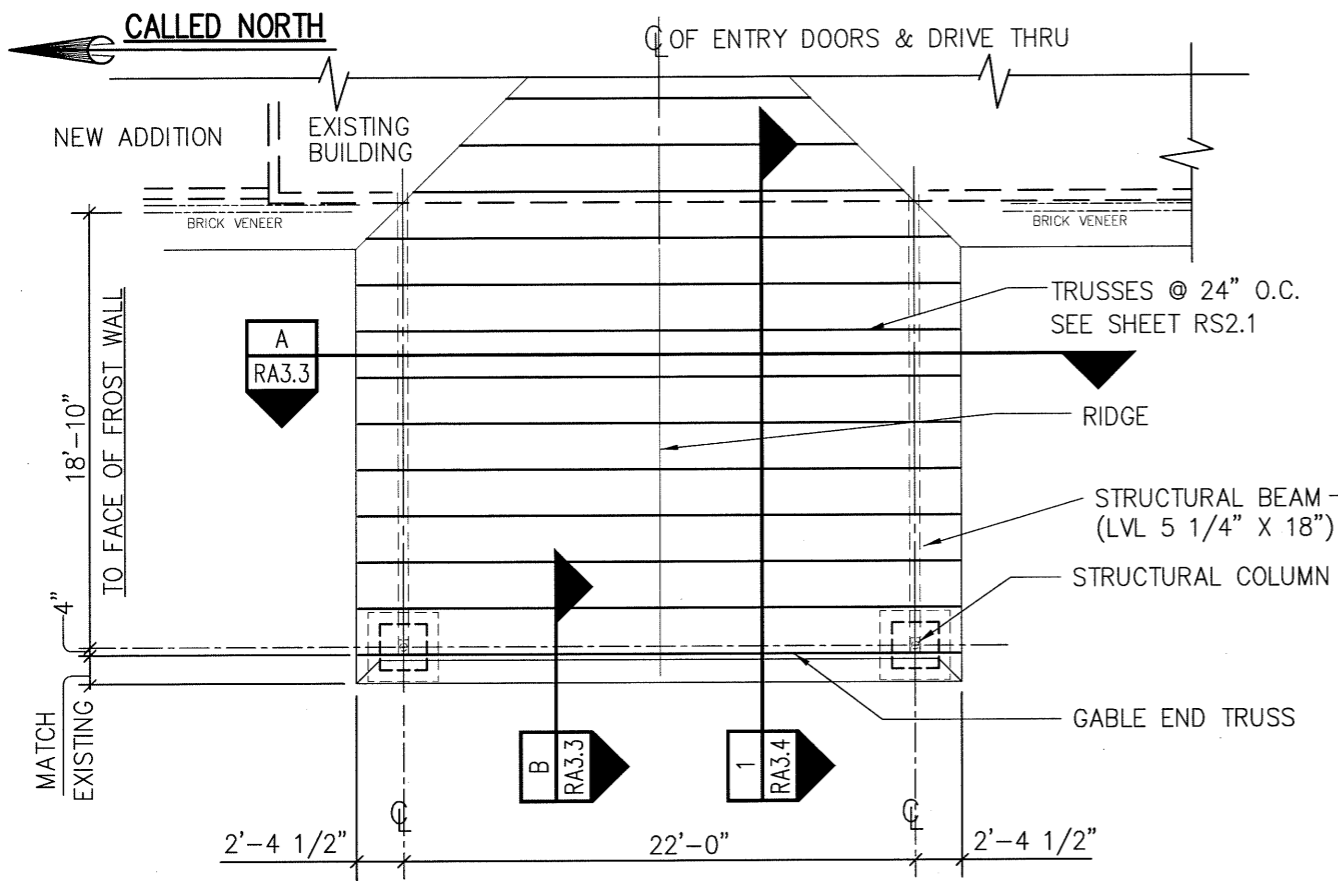


NO	DATE	REVISION	BY
6	2-11-12	ISSEUED FOR REVIEW	JMH
8	4-1-12	NORTH PORTICO NOTE REVISED	JMH

SHEET TITLE
SOUTH & EAST ELEVATIONS

PROJECT TITLE
PORTLAND, ME - KINGDOM HALL
REMODEL OF EXISTING HALL
UNITED STATES OF AMERICA

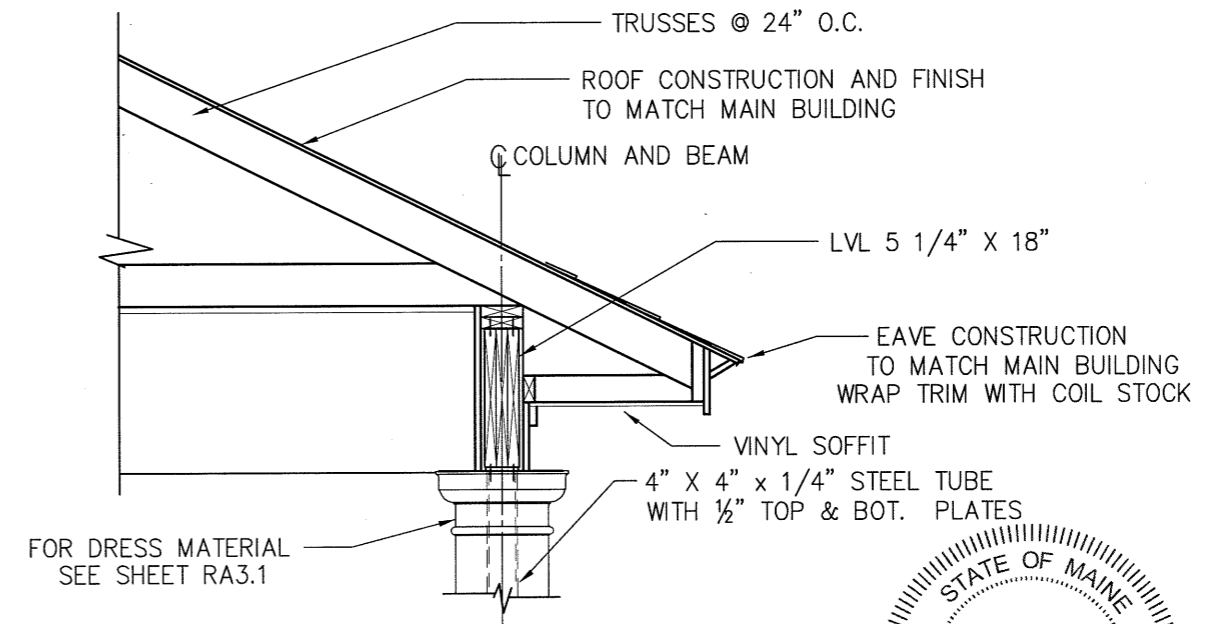
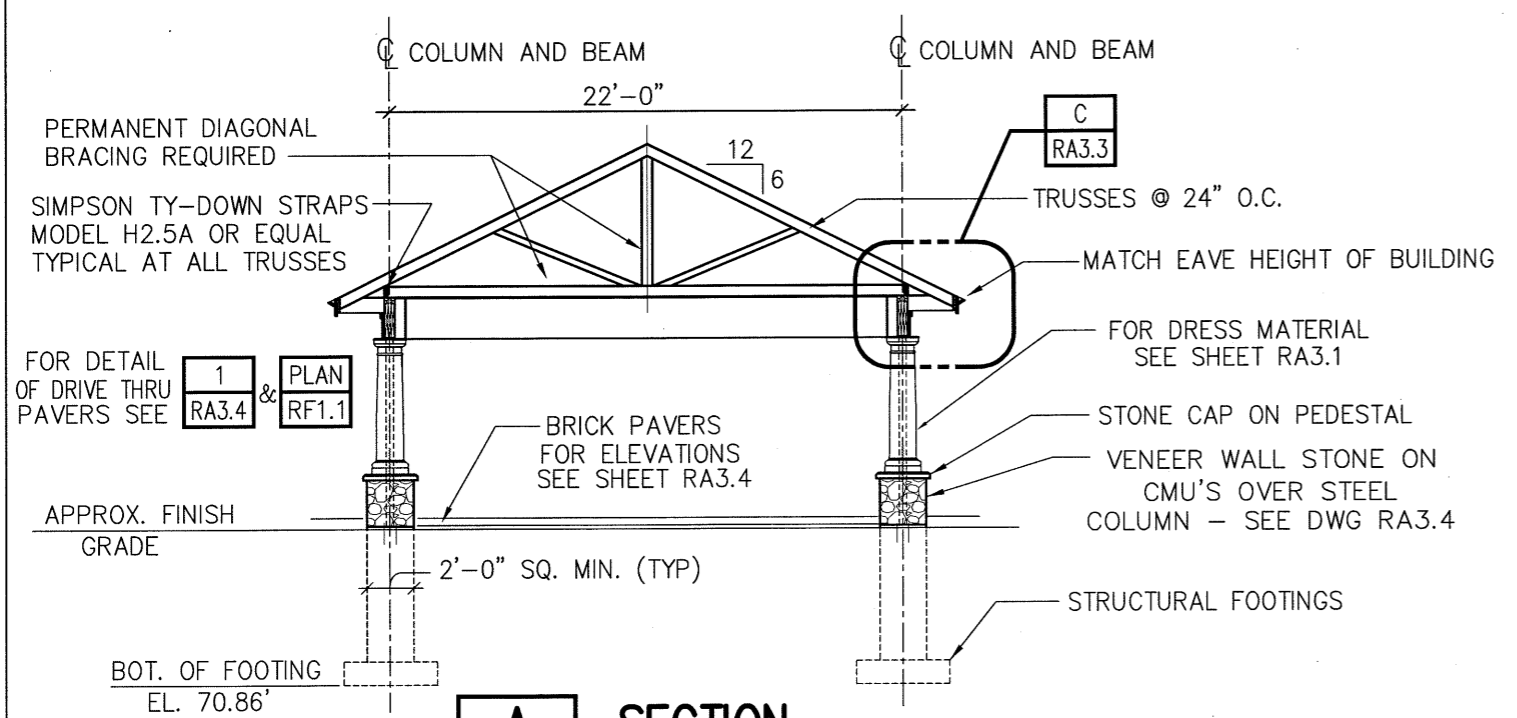
DWN BY: JMH CKD BY: JMH
SCALE: 1/8"=1'-0"
DATE: 6-1-11
CAD #: RA302_R8.dwg
SHEET No. 6
RA3.2



1 **FRAMING PLAN**
RA3.3 SCALE: 1/8"=1'-0"

NOTE:
ALL STRUCTURAL CONNECTIONS SHALL
BE APPROVED BY THE ENGINEER.
SEE DETAILS ON SHEET A3.4

B **GABLE END EAVE DETAIL**
RA3.3 SCALE: 1/2"=1'-0"



A **SECTION**
RA3.3 SCALE: 1/8"=1'-0"

C **EAVE DETAIL**
RA3.3 SCALE: 1/2"=1'-0"

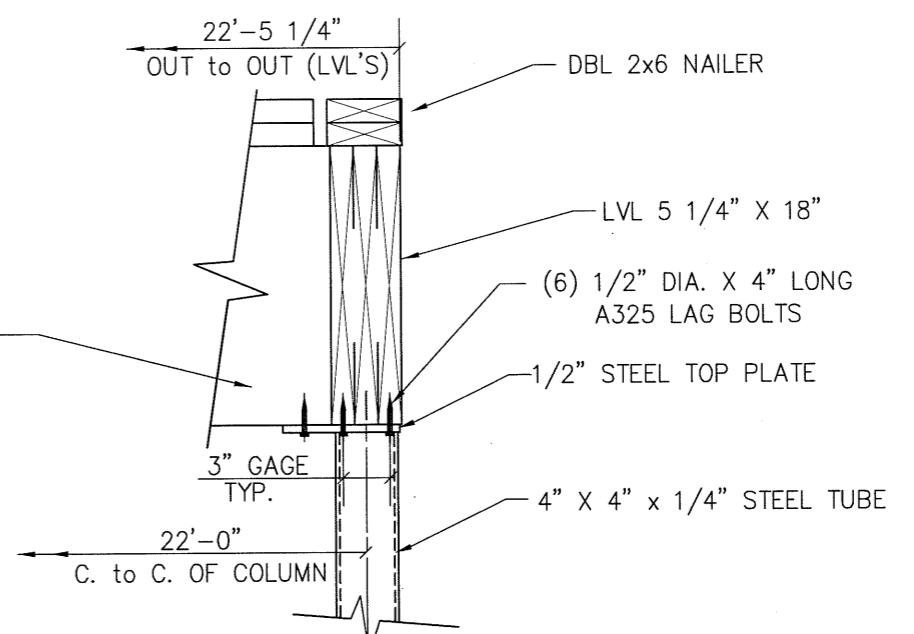
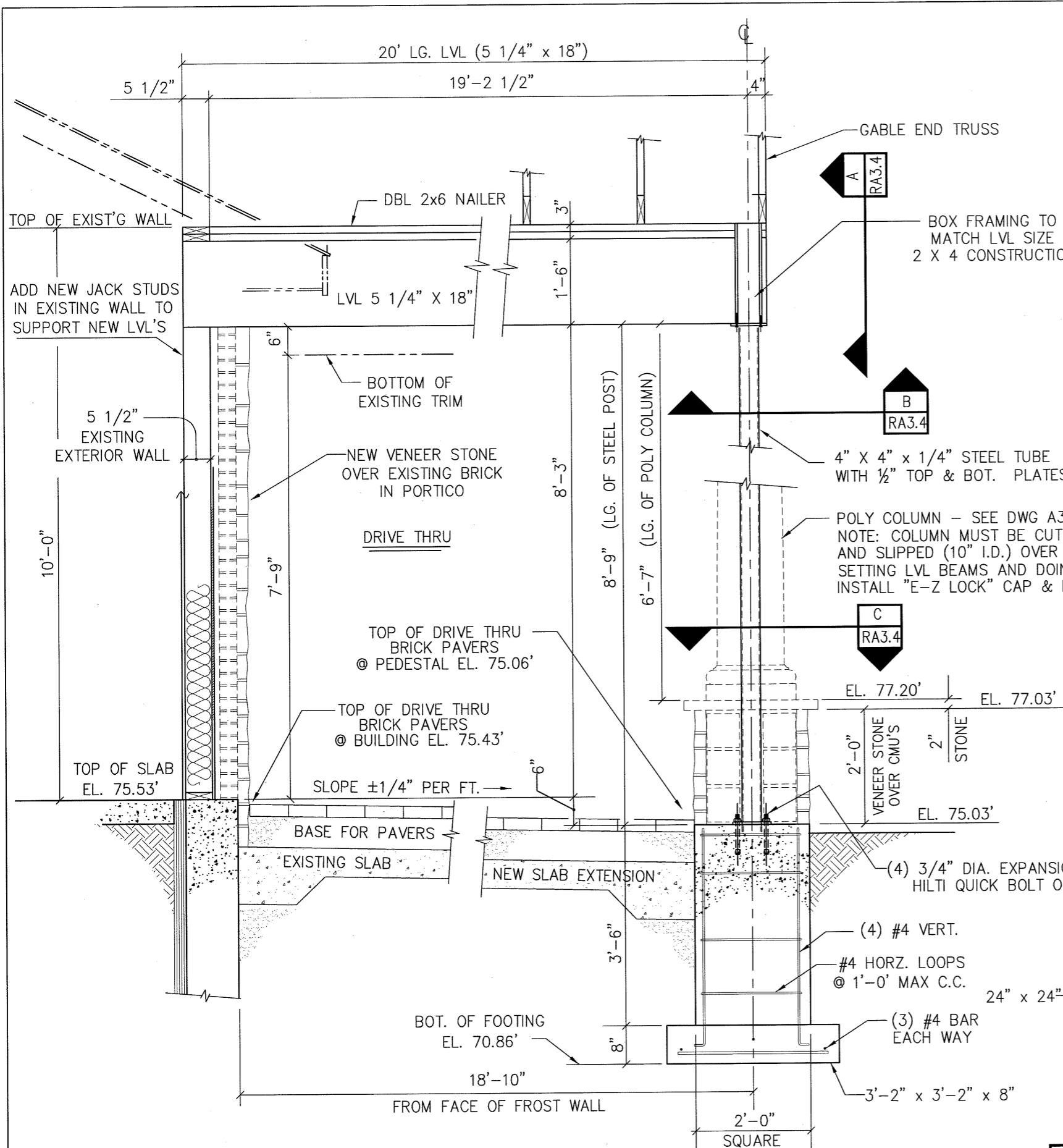


NO	DATE	REVISION	BY
6	2-11-12	ISSUED FOR REVIEW	WEM
8	4-1-12	TRUSSES REVISED	WEM

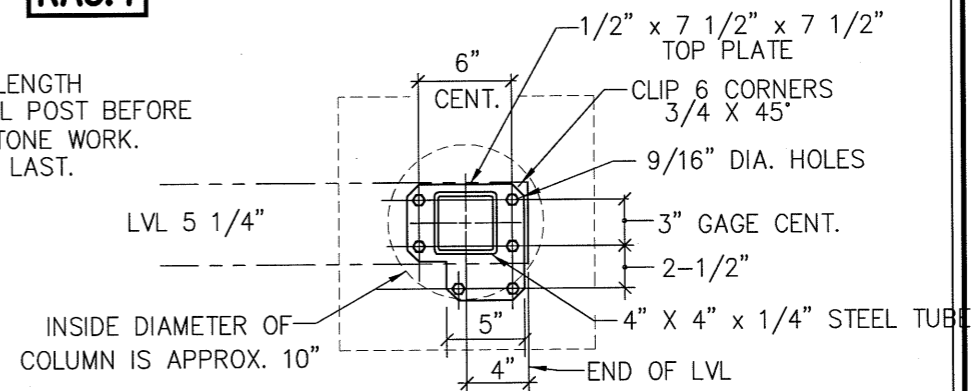
DRIVE THRU DETAILS
GABLE ROOF

PROJECT TITLE
PORTLAND, MAINE - KINGDOM HALL
REMODEL OF EXISTING BUILDING
UNITED STATES OF AMERICA

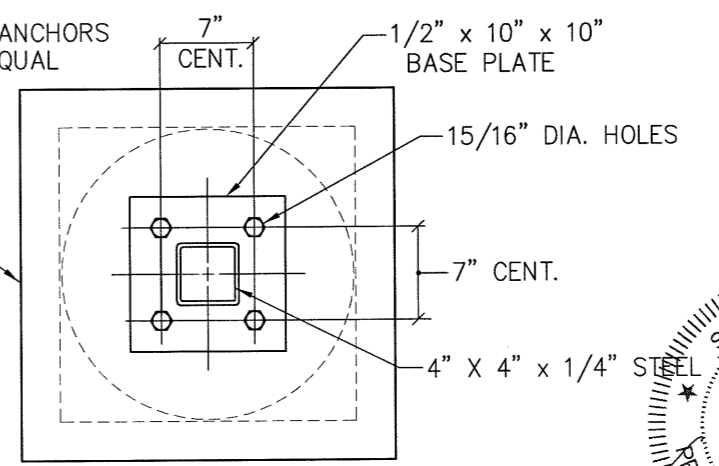
DWN BY: WEM CKD BY: JMH
SCALE: AS NOTED
DATE: 11-20-2011
CAD #: RA303_R8.dwg
SHEET No. 7
RA3.3



A CONNECTION DETAIL
RA3.4 SCALE: 1"=1'-0"



B TOP PLATE DETAIL
RA3.4 SCALE: 1"=1'-0"



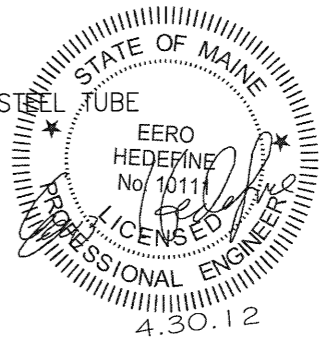
C BASE PLATE DETAIL
RA3.4 SCALE: 1"=1'-0"

1 ELEV OF DRIVE THRU STRUCTURAL
RA3.3 SCALE: 1/2" = 1'-0"

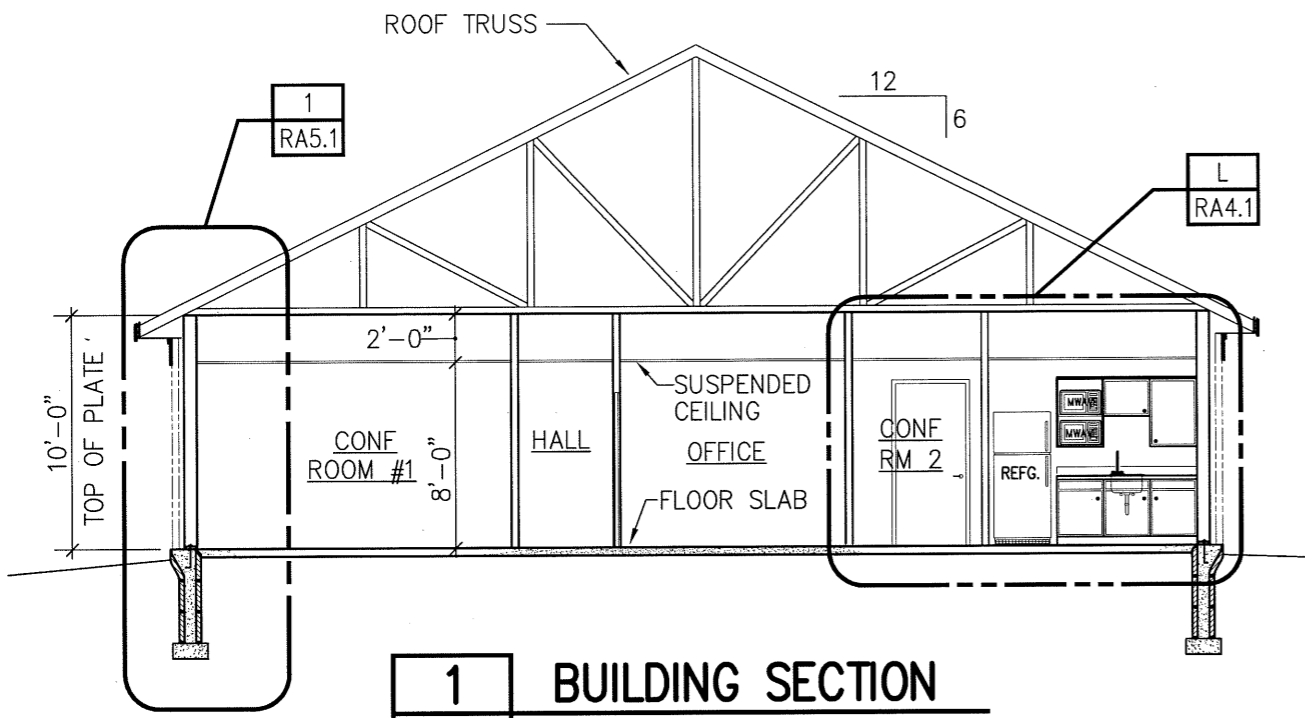
NO	DATE	REVISION	BY
6	2-11-12	ISSUED FOR REVIEW	WEM
8	4-1-12	ISSUED FOR APPROVAL	JMH

SHEET TITLE
DRIVE THRU DETAILS
STRUCTURAL, COLUMNS & BEAMS

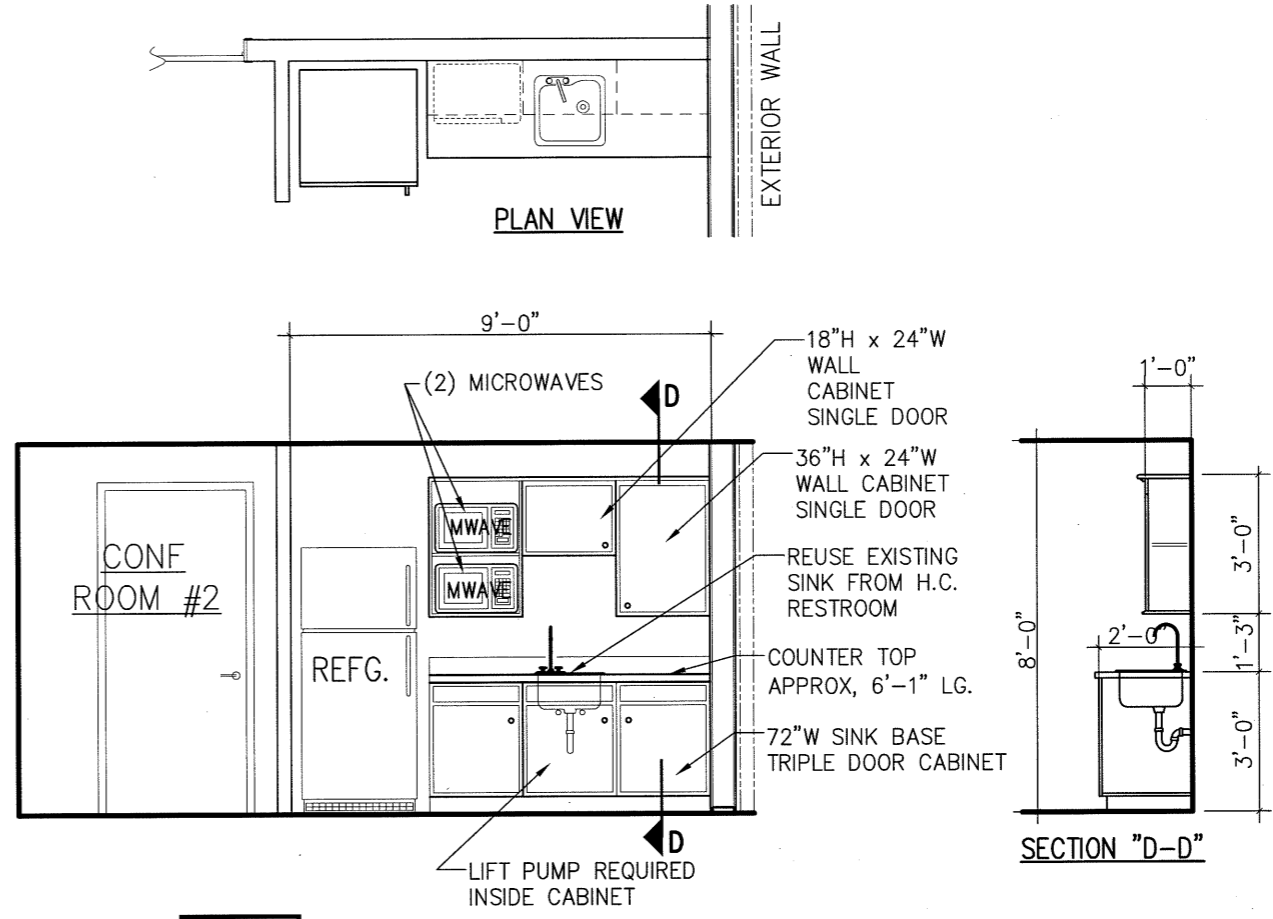
PROJECT TITLE
PORTLAND, MAINE - KINGDOM HALL
 REMODEL OF EXISTING BUILDING
 UNITED STATES OF AMERICA



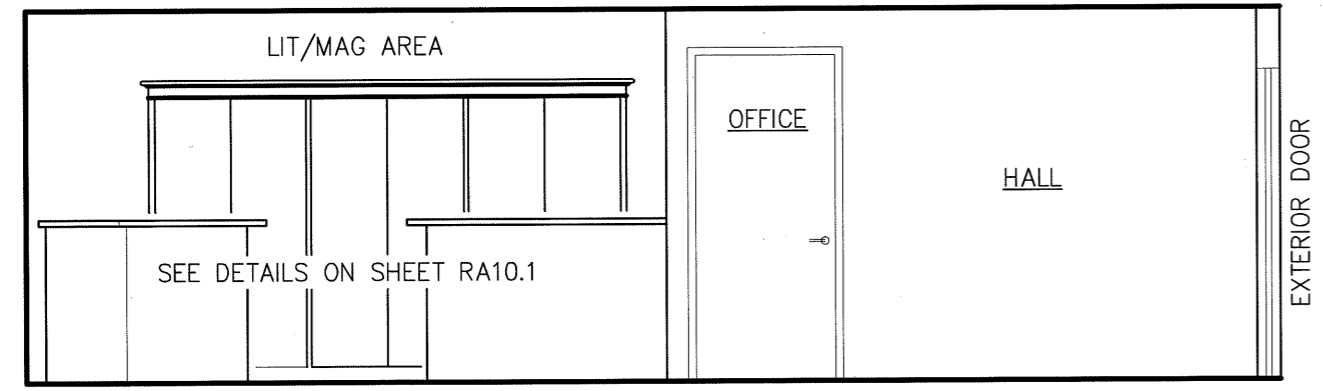
DWN BY: WEM	CKD BY: JMH
SCALE: AS NOTED	
DATE: 11-20-11	
CAD #: RA304_R8.dwg	
SHEET No. 8	
RA3.4	



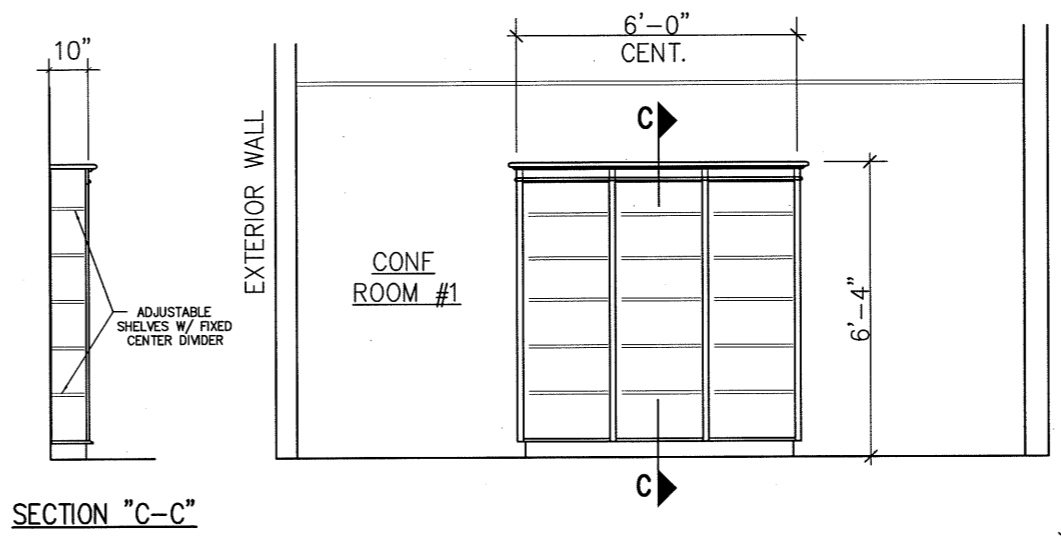
1 BUILDING SECTION
RA2.1 SCALE: 1/8"=1'-0"



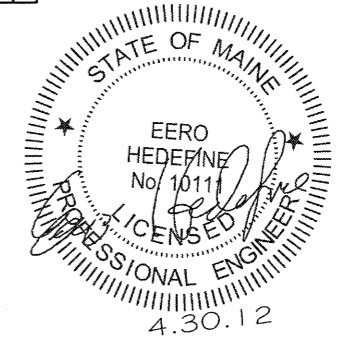
L LUNCH CABINETS - ELEVATION
RA4.1 SCALE: 1/4"=1'-0"



2 LITERATURE AREA
RA2.1 SCALE: 1/4"=1'-0"



3 LIBRARY BOOK CASE - ELEVATION
RA2.1 SCALE: 1/4"=1'-0"

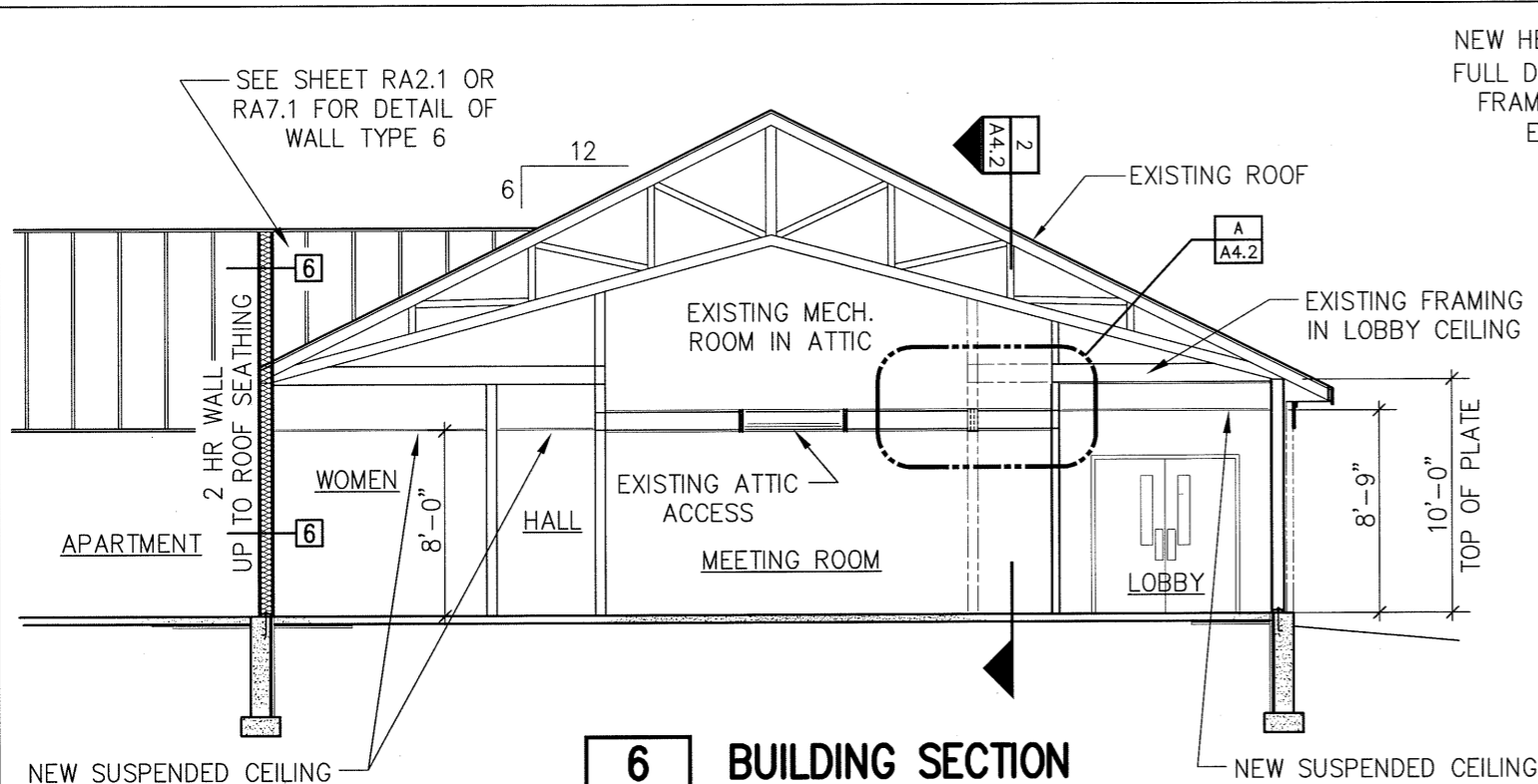


NO	DATE	REVISION	BY
6	2-11-12	ISSUED FOR REVIEW	WEM
8	4-1-12	ICF BLOCK ADDED	WEM

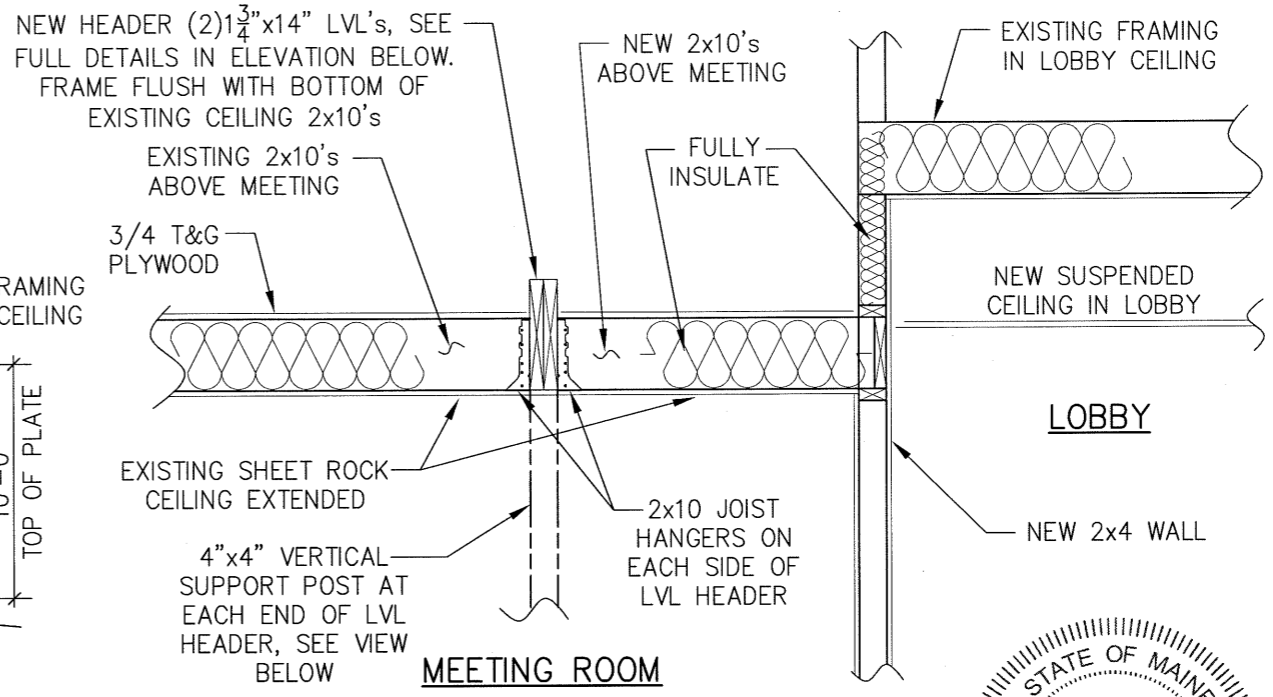
SHEET TITLE
**BUILDING SECTIONS
 NEW ADDITION**

PROJECT TITLE
**PORTLAND, ME - KINGDOM HALL
 REMODEL OF EXISTING BUILDING
 UNITED STATES OF AMERICA**

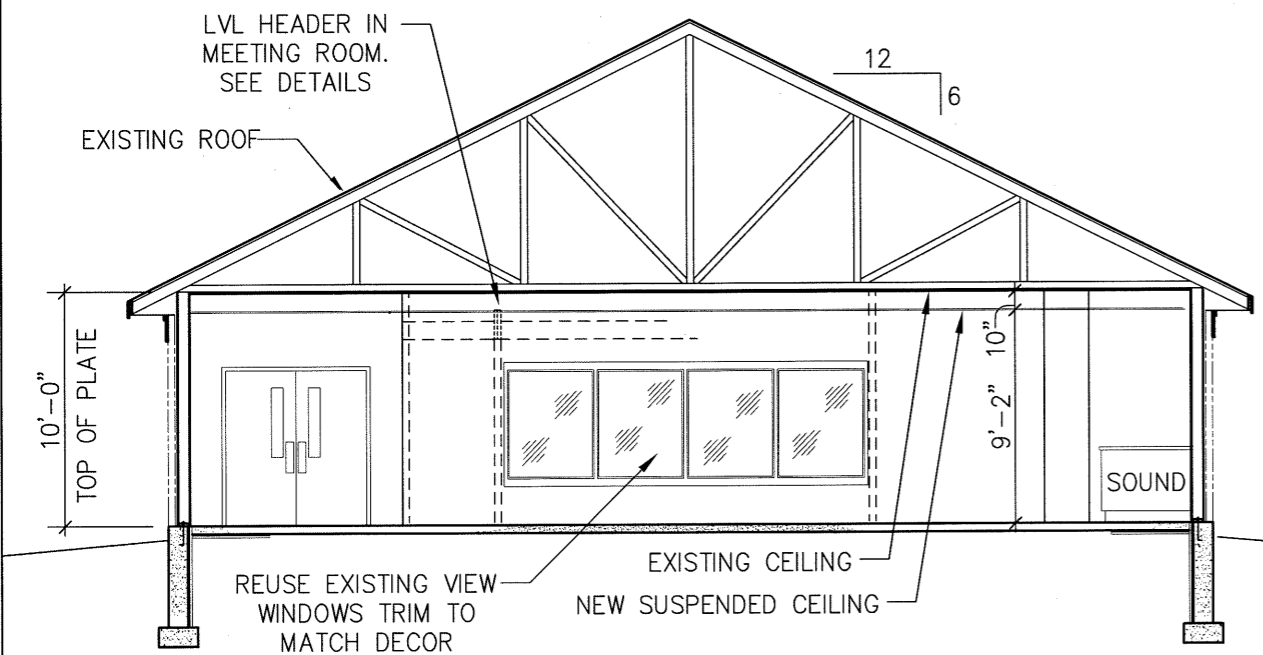
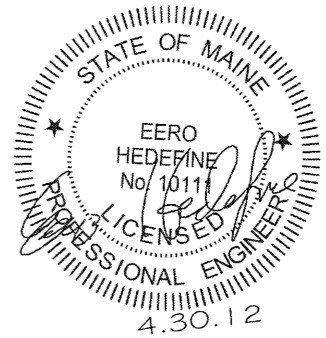
DWN BY: WEM	CKD BY: JMH
SCALE: AS NOTED	
DATE: 11-20-11	
CAD #: RA401_R8.dwg	
SHEET No. 9	
RA4.1	



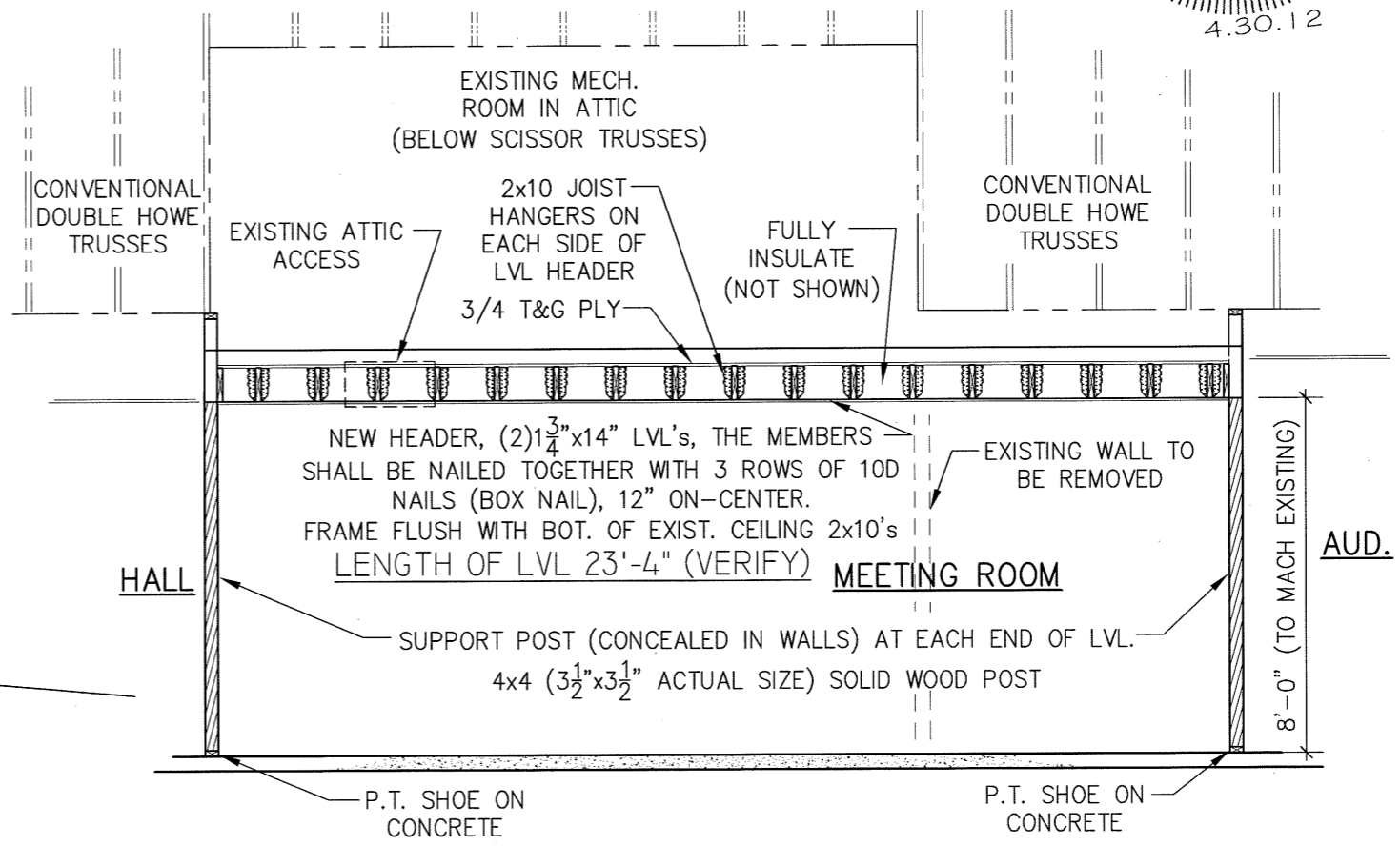
6 BUILDING SECTION
RA2.1 SCALE: 1/8"=1'-0"



A LVL HEADER DETAIL
RA4.2 SCALE: 1/2"=1'-0"



5 BUILDING SECTION
RA2.1 SCALE: 1/8"=1'-0"



2 ELEVATION OF LVL HEADER
RA4.2 SCALE: 1/4"=1'-0"

NO	DATE	REVISION	BY
6	2-11-12	ISSUED FOR REVIEW	WEM
7	2-25-12	2 HR WALL ADDED TO BUILDING SECTION 6	WEM
8	4-1-12	ISSUED FOR APPROVAL	JMH

BUILDING SECTIONS RENOVATIONS

PORTLAND, ME - KINGDOM HALL
 REMODEL OF EXISTING BUILDING
 UNITED STATES OF AMERICA

SHEET TITLE

DWN BY: WEM CKD BY: JMH

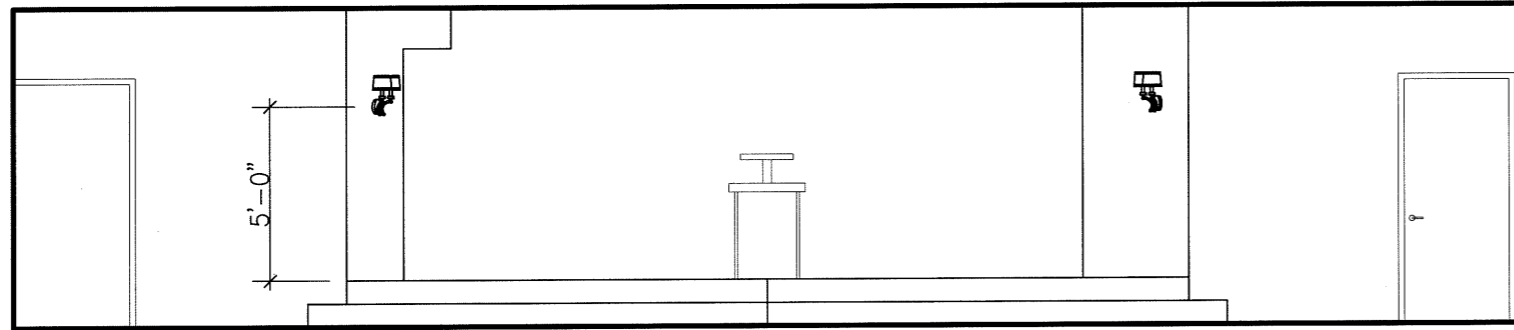
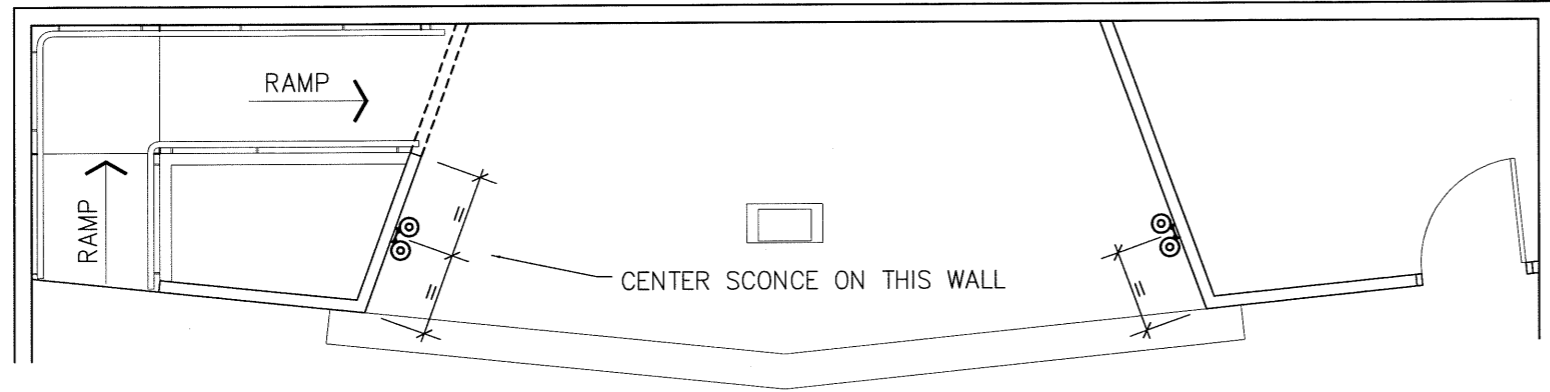
SCALE: AS NOTED

DATE: 11-20-11

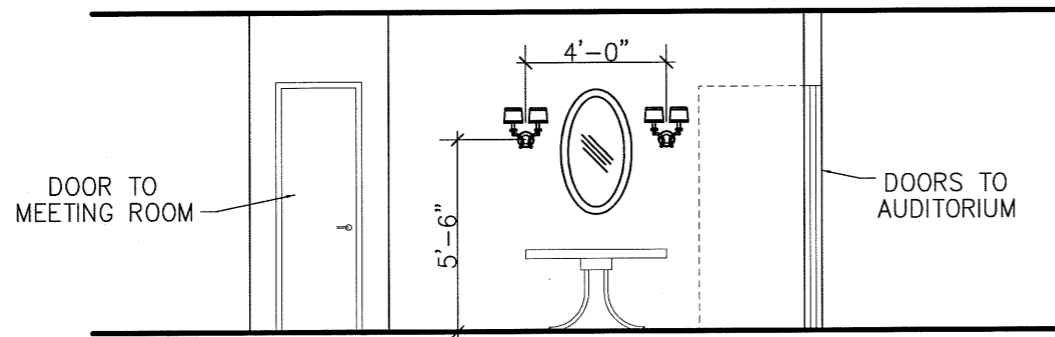
CAD #: RA402_R8.dwg

SHEET No. 10

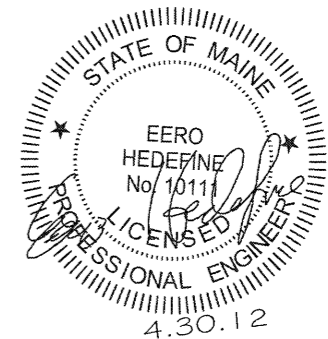
RA4.2



7 **STAGE ELEVATION**
RA2.1 SCALE: 3/16"=1'-0"



8 **LOBBY EAST WALL**
RA2.1 SCALE: 3/16"=1'-0"



NO	DATE	REVISION	BY
6	2-11-12	ISSUED FOR REVIEW	WEM
8	4-1-12	ISSUED FOR APPROVAL	WEM

BUILDING SECTIONS
LIGHTING, SCENCE LOCATIONS

PORTLAND, ME - KINGDOM HALL
 REMODEL OF EXISTING BUILDING
 UNITED STATES OF AMERICA

SHEET TITLE
 PROJECT TITLE

DWN BY: WEM CKD BY: JMH

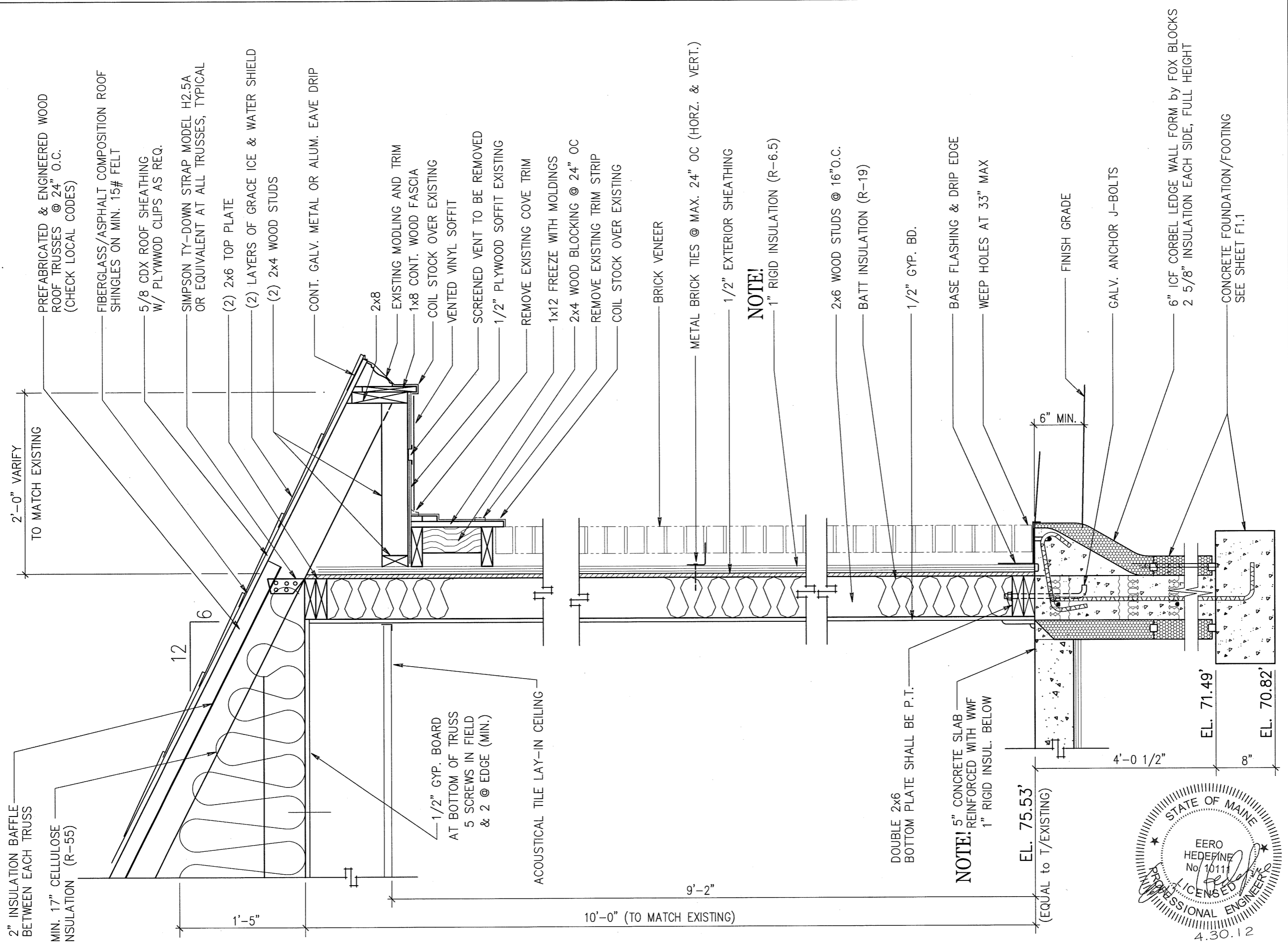
SCALE: AS NOTED

DATE: 2-9-12

CAD #: RA403_R8.dwg

SHEET No. 11

RA4.3



NO	DATE	REVISION	BY
6	2-11-12	ISSUED FOR REVIEW	JMH
8	4-1-12	ICF BLOCKS ADDED TO FOUNDATION	JMH

SHEET TITLE
WALL SECTION
BRICK VENEER

PROJECT TITLE
PORTLAND, ME - KINGDOM HALL
REMODEL OF EXISTING HALL
UNITED STATES OF AMERICA

DWN BY: JMH CKD BY: JMH

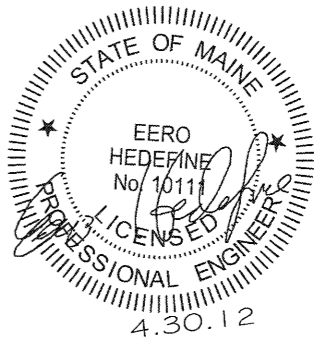
SCALE: 1" = 1'-0"

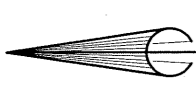
DATE: 10-30-11

CAD #: RA501_R8.dwg

SHEET No. 12

RA5.1





CALLED NORTH

SEE WALL DETAILS ON SHEET RA5.1

1" RIGID ISULATION
1/2" PLY SHEATHING
2x6 FRAMING

EXTERIOR FACE OF NEW FROST WALL IS FLUSH WITH THE EXISTING FROST WALL

EXISTING BRICK VENEER

10" FROST WALL EXISTING

6" CORE OF PROPOSED "FOX BLOCKS" ICF FROST WALL

1'-6" WIDE PROPOSED FOOTING CENTERED UNDER FROST WALL

44'-8" WIDE PROPOSED OUT TO OUT OF FOOTING

43'-8" WIDE PROPOSED ADDITION AND OUT TO OUT OF 6" CORE OF PROPOSED "FOX BLOCKS" ICF FROST WALL

PROPOSED ADDITION

4 1/2" EXISTING VARY

10" FROST WALL EXISTING

44'-0" WIDE EXISTING

EXISTING

44'-9" WIDE FROST WALL OUT TO OUT

SEE WALL DETAILS ON SHEET RA5.1

NEW BRICK VENEER

EXISTING BRICK VENEER

PROPOSED 16'-2" FROST WALL FOR ADDITION

4 1/2"

PROPOSED 16'-0" ADDITION

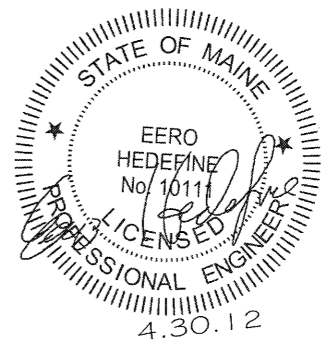
EXISTING STRUCTURE

6 1/2"

1
RA6.3

PARTIAL PLAN VIEW

SCALE: 1"=1'-0"



NO	DATE	REVISION
7	2-25-12	THIS SHEET ADDED
8	4-1-12	REVISED FOR ICF BLOCKS

SHEET TITLE
**PARTIAL PLAN VIEW
NEW TO EXISTING WALLS**

PROJECT TITLE
**PORTLAND, ME. - KINGDOM HALL
REMODEL OF EXISTING HALL
UNITED STATES OF AMERICA**

DWN BY: JMH CKD BY: JMH
SCALE: 1"=1'-0"
DATE: 2-25-12
CAD #: RA502_R8.dwg
SHEET No. 13
RA5.2

DOOR & WINDOW SCHEDULE

1 SITE VARY	<p>QUANTITY: 1 LOCATION: MAIN ENTRY SIZE: (2) 3'-0" X 6'-8" DOORS W/SIDELIGHTS (VARY EXISTING SIDELIGHT SIZE)</p> <p>DOOR SWING: N/A FRAME: WOOD THROAT SIZE = VARY</p> <p>DOOR: METAL INSUL'D. 6 PANEL; DO NOT BORE; LOW PROFILE SILL; BLOCKED FOR PANIC H'WARE & CLOSER; NO CSG; PAINT OR STAIN FINISH;</p> <p>HARDWARE: (2) LCN 1371-18PA CLOSERS, ALUM FINISH SARGENT 8888F/32D 713-8 ETL 26D EXIT DEVICE WITH EXTERIOR LEVER AND KEY (PER ADA); NRP HINGE; KICK PLATE; WEATHERSTRIPPING;</p> <p>ROUGH OP'G: EXISTING R.O. CALLED 8'-4 1/2" ON ORG DWGS DOOR #1 & #2 KEYED ALIKE</p>	2	<p>QUANTITY: 1 LOCATION: NORTH SIDE ENTRY SIZE: 3'-0" X 6'-8" DOOR</p> <p>DOOR SWING: LEFT HAND (LHOS) FRAME: WOOD THROAT SIZE= 7 1/2" (SEE B/A6.2)</p> <p>DOOR: METAL INSUL'D. 6 PANEL; THREMA TRU PS-210 DO NOT BORE; LOW PROFILE SILL; BLOCKED FOR PANIC H'WARE & CLOSER; NO CSG; PAINT OR STAIN FINISH;</p> <p>HARDWARE: LCN 1371-18PA CLOSER, ALUM FINISH SARGENT 8888F/32D 713-8 ETL 26D EXIT DEVICE WITH EXTERIOR LEVER AND KEY (PER ADA); NRP HINGE; KICK PLATE; WEATHERSTRIPPING;</p> <p>ROUGH OP'G: 38 1/2" x 82 1/2" DOOR #1 & #2 KEYED ALIKE</p>	3 SITE VARY	<p>QUANTITY: 1 LOCATION: AUDITORIUM EMERGENCY EXIT SIZE: 3'-0" X 6'-8" DOOR SWING: RIGHT HAND (RHOS) FRAME: WOOD THROAT SIZE= 7" (VARY)</p> <p>DOOR: METAL FLUSH FACE INSUL'D THERMA TRU PS-100 6 PANEL BLOCKED FOR PANIC HARDWARE & CLOSER; DO NOT BORE; NO CSG; PAINT OR STAIN FINISH</p> <p>HARDWARE: SARGENT 8888F/32D 713-8 ETL 26D EXIT DEVICE LCN 1370-18PA CLOSER, ALUM FINISH NO OUTSIDE ACCESS; WEATHERSTRIPPING; NRP HINGE;</p> <p>ROUGH OP'G: 38 1/2" x 82 1/2" (VARY EXISTING)</p>	4 11 12 16	<p>QUANTITY: 4 ALIKE LOCATION: CONF. ROOM #1 OFFICE CONF. ROOM #2 MEETING ROOM</p> <p>SIZE: 3'-0" X 6'-8" DOOR SWING: LEFT HAND (LHIS) FRAME: CLEAR PINE, SINGLE RABBETED (1 1/4" THICK) THROAT SIZE= 4 1/2" (SEE A/A6.2)</p> <p>DOOR: SOLID CORE; FLUSH BIRCH LAUAN; PREFINISHED CLEAR; 1 3/4" THICKNESS; 4 1/2" x 4 1/2" US26D BRUSHED CHROME HINGES; NO CSG; BORED;</p> <p>HARDWARE: SARGENT 10U15 LP26D LEVER PASSAGE; ROCKWOOD 8x34 KICKPLATE 32D ROCKWOOD WALL MOUNTED STOP CONCAVE 32D;</p> <p>ROUGH OP'G: 38 1/2" x 82 1/2"</p>
5	<p>QUANTITY: 1 LOCATION: STORAGE IN MENS ROOM SIZE: (2) 2'-2" X 6'-8" DOOR TYPE: BY-PASS DOORS FRAME: SITE BUILT</p> <p>DOOR: HOLLOW CORE; FLUSH BIRCH LAUAN; PREFINISHED CLEAR; 1 3/8" THICKNESS</p> <p>HARDWARE: BY-PASS TRACK (48")</p> <p>ROUGH OP'G: 50 1/2" x 82 1/2"</p>	6	<p>QUANTITY: 1 LOCATION: MENS ROOM SIZE: 3'-0" X 6'-8" DOOR SWING: LEFT HAND (LHIS) FRAME: CLEAR PINE, SINGLE RABBETED (1 1/4" THICK) THROAT SIZE= 4 1/2" (SEE A/A6.2)</p> <p>DOOR: SOLID CORE; FLUSH BIRCH LAUAN; PREFINISHED CLEAR; 1 3/4" THICKNESS; 4 1/2" x 4 1/2" US26D BRUSHED CHROME HINGES; NO CSG;</p> <p>HARDWARE: LCN 1371 (HOLD OPEN) CLOSER, ALUM FINISH ROCKWOOD 8x34 KICKPLATE 32D ROCKWOOD 4x16 PULL PLATE ROCKWOOD 4x16 PUSH PLATE ROCKWOOD WALL MOUNTED STOP CONCAVE 32D;</p> <p>ROUGH OP'G: 38 1/2" x 82 1/2"</p>	7	<p>QUANTITY: 1 LOCATION: HALLWAY STORAGE SIZE: 2'-8" X 6'-8" DOOR SWING: RIGHT HAND (RHIS) FRAME: CLEAR PINE, SINGLE RABBETED (1 1/4" THICK) THROAT SIZE= 4 3/4" (SEE A/A6.2)</p> <p>DOOR: SOLID CORE; FLUSH BIRCH LAUAN; PREFINISHED CLEAR; 1 3/4" THICKNESS; 4 1/2" x 4 1/2" US26D BRUSHED CHROME HINGES; NO CSG; BORED;</p> <p>HARDWARE: SARGENT 10U15 LP26D LEVER PASSAGE; ROCKWOOD 8x34 KICKPLATE 32D</p> <p>ROUGH OP'G: 38 1/2" x 82 1/2"</p>	8	<p>QUANTITY: 1 LOCATION: WHEELCHAIR ACCESSIBLE TOILET SIZE: 3'-0" X 6'-8" DOOR SWING: LEFT HAND (LHIS) FRAME: CLEAR PINE, SINGLE RABBETED (1 1/4" THICK, 20 MIN) THROAT SIZE= 4 3/4" (SEE A/A6.2)</p> <p>DOOR: SOLID CORE; FIRE RATED (20 min door unit) FLUSH BIRCH LAUAN; PREFINISHED CLEAR; 1 3/4" THICKNESS; 4 1/2" x 4 1/2" US26D BRUSHED CHROME HINGES; NO CSG; BORED;</p> <p>HARDWARE: SARGENT 10U15 LP26D LEVER PASSAGE; ROCKWOOD 8x34 KICKPLATE 32D ROCKWOOD WALL MOUNTED STOP CONCAVE 32D;</p> <p>ROUGH OP'G: 38 1/2" x 82 1/2"</p>
9	<p>QUANTITY: 1 LOCATION: WOMENS ROOM SIZE: 2'-8" X 6'-8" DOOR SWING: RIGHT HAND (RHIS) FRAME: CLEAR PINE, SINGLE RABBETED (1 1/4" THICK) THROAT SIZE= 4 1/2" (SEE A/A6.2)</p> <p>DOOR: SOLID CORE; FLUSH BIRCH LAUAN; PREFINISHED CLEAR; 1 3/4" THICKNESS; 4 1/2" x 4 1/2" US26D BRUSHED CHROME HINGES; NO CSG;</p> <p>HARDWARE: ROCKWOOD 8x34 KICKPLATE 32D ROCKWOOD 4x16 PULL PLATE ROCKWOOD 4x16 PUSH PLATE ROCKWOOD WALL MOUNTED STOP CONCAVE 32D;</p> <p>ROUGH OP'G: 38 1/2" x 82 1/2"</p>	10	<p>QUANTITY: 1 LOCATION: MOTHER'S ROOM SIZE: 3'-0" X 6'-8" DOOR SWING: RIGHT HAND (RHIS) FRAME: CLEAR PINE, SINGLE RABBETED (1 1/4" THICK) THROAT SIZE= 4 1/2" (SEE A/A6.2)</p> <p>DOOR: SOLID CORE; FLUSH BIRCH LAUAN; PREFINISHED CLEAR; 1 3/4" THICKNESS; 4 1/2" x 4 1/2" US26D BRUSHED CHROME HINGES; NO CSG; BORED;</p> <p>HARDWARE: SARGENT 10U15 LP26D LEVER PASSAGE; ROCKWOOD 8x34 KICKPLATE 32D ROCKWOOD WALL MOUNTED STOP CONCAVE 32D;</p> <p>ROUGH OP'G: 38 1/2" x 82 1/2"</p>	13	<p>QUANTITY: 1 LOCATION: CONF. ROOM #2 STORAGE SIZE: 2'-0" X 6'-8" DOOR SWING: LEFT HAND (LHIS) FRAME: CLEAR PINE, SINGLE RABBETED (1 1/4" THICK) THROAT SIZE= 4 1/2" (SEE A/A6.2)</p> <p>DOOR: SOLID CORE; FLUSH BIRCH LAUAN; PREFINISHED CLEAR; 1 3/4" THICKNESS; 4 1/2" x 4 1/2" US26D BRUSHED CHROME HINGES; NO CSG; BORED;</p> <p>HARDWARE: SARGENT 10U15 LP26D LEVER PASSAGE; ROCKWOOD 8x34 KICKPLATE 32D</p> <p>ROUGH OP'G: 38 1/2" x 82 1/2"</p>	14 SITE VARY	<p>QUANTITY: 1 LOCATION: ELECT. ROOM SIZE: 2'-6" X 6'-8" DOOR SWING: RIGHT HAND (RHIS) FRAME: CLEAR PINE, SINGLE RABBETED (1 1/4" THICK) THROAT SIZE= 4 1/2" (SEE A/A6.2)</p> <p>DOOR: SOLID CORE; FLUSH BIRCH LAUAN; PREFINISHED CLEAR; 1 3/4" THICKNESS; 4 1/2" x 4 1/2" US26D BRUSHED CHROME HINGES; NO CSG; BORED;</p> <p>HARDWARE: SARGENT 10U15 LP26D LEVER PASSAGE; ROCKWOOD 8x34 KICKPLATE 32D</p> <p>ROUGH OP'G: 32 1/2" x 82 1/2"</p>
15 SITE VARY	<p>QUANTITY: 1 LOCATION: LOBBY STORAGE SIZE: 2'-6" X 6'-8" DOOR SWING: LEFT HAND (LHIS) FRAME: CLEAR PINE, SINGLE RABBETED (1 1/4" THICK) THROAT SIZE= 4 3/4" (SEE A/A6.2)</p> <p>DOOR: SOLID CORE; FLUSH BIRCH LAUAN; PREFINISHED CLEAR; 1 3/4" THICKNESS; 4 1/2" x 4 1/2" US26D BRUSHED CHROME HINGES; NO CSG; BORED;</p> <p>HARDWARE: SARGENT 10U15 LP26D LEVER PASSAGE; ROCKWOOD 8x34 KICKPLATE 32D</p> <p>ROUGH OP'G: 32 1/2" x 82 1/2"</p>	17	<p>QUANTITY: 1 (DOUBLE DOOR UNIT) LOCATION: LOBBY TO AUDITORIUM SIZE: 6'-0" X 6'-8" (2 @ 3'-0" X 6'-8") DOOR SWING: N/A FRAME: CLEAR PINE, SINGLE RABBETED (1 1/4" THICK) THROAT SIZE= 4 1/2" (SEE A/A6.2)</p> <p>DOOR: SOLID CORE; FLUSH BIRCH LAUAN; PREFINISHED CLEAR; REINFORCED FOR CLOSERS; NO BORE; 6"x36" TEMPERED SAFETY GLASS LIGHT EACH DOOR, OPPOSITE HAND CHROME HINGES; NO CSG;</p> <p>HARDWARE: LCN 1371-18 (HOLD OPEN) CLOSER, ALUM FINISH ROCKWOOD 8x34 KICKPLATE 32D (4 REQ'D) ROCKWOOD 3 1/2 x 16 PULL PLATES (2 REQ'D) ROCKWOOD 3 1/2 x 16 PUSH PLATES (2 REQ'D)</p> <p>ROUGH OP'G: 75 1/2" x 82 1/2"</p>	18	<p>QUANTITY: 1 LOCATION: STORAGE (NEXT TO PLATFORM) SIZE: 3'-0" X 6'-8" DOOR SWING: RIGHT HAND (RHIS) FRAME: CLEAR PINE, SINGLE RABBETED (1 1/4" THICK) THROAT SIZE= 4 1/2" (SEE A/A6.2)</p> <p>DOOR: SOLID CORE; FLUSH BIRCH LAUAN; PREFINISHED CLEAR; 1 3/4" THICKNESS; 4 1/2" x 4 1/2" US26D BRUSHED CHROME HINGES; NO CSG; BORED;</p> <p>HARDWARE: SARGENT 10U15 LP26D LEVER PASSAGE; ROCKWOOD 8x34 KICKPLATE 32D ROCKWOOD WALL MOUNTED STOP CONCAVE 32D;</p> <p>ROUGH OP'G: 38 1/2" x 82 1/2"</p>	A B C SITE VARY	<p>QUANTITY: 4 LOCATION: CONF. ROOM #1, #2, OFFICE SIZE: THE 4 NEW WIDOWS REQUIRED IN THE ADDITION SHALL MATCH AS CLOSE AS POSSIBLE TO THE EXISTING WINDOWS, TYPE "B" SHOWN BELOW.</p> <p>QUANTITY: 9 LOCATION: CONF. ROOM #1, #2, OFFICE TYPE: ANDERSON C25W ANDERSON PERMASHIELD GLASS ROUGH OP'G: 4'-0 1/2" x 5'-0 3/8"</p> <p>QUANTITY: 4 LOCATION: BETWEEN MEETING ROOM & AUDITORIUM SIZE: GLASS IN EXISTING NEW WINDOWS SHALL BE SAFELY STORED & THEN BRUSHED IN THE NEW WALL BETWEEN THE MEETING ROOM AND THE AUDITORIUM</p>

NO	DATE	REVISION
6	2-11-12	ISSUED FOR REVIEW
7	2-25-12	DOOR 3 ADDED, NRP HINGE TO EXT DOORS
8	4-1-12	ISSUED FOR APPROVAL

DOOR & WINDOW SCHEDULE

PORTLAND, MAINE - KINGDOM HALL

REMODEL OF EXISTING HALL

UNITED STATES OF AMERICA

SHEET TITLE: DOOR & WINDOW SCHEDULE

DWN BY: JMH CKD BY: JMH

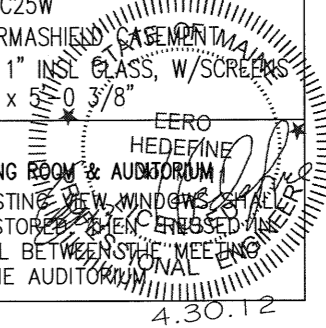
SCALE: NONE

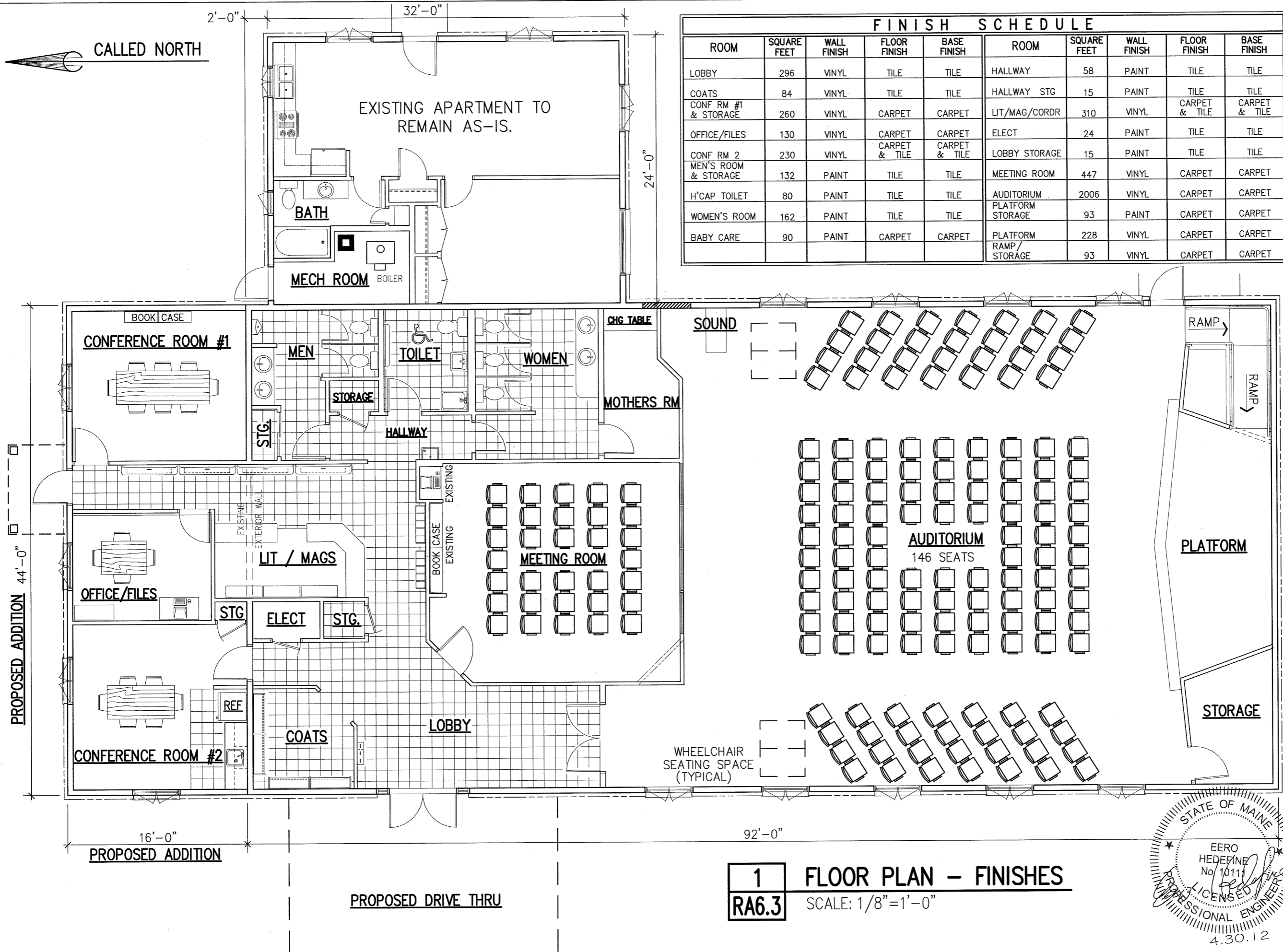
DATE: 2-3-12

CAD #: RA601_R8.dwg

SHEET No. 14

RA6.1



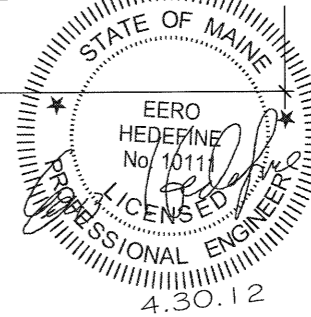


FINISH SCHEDULE									
ROOM	SQUARE FEET	WALL FINISH	FLOOR FINISH	BASE FINISH	ROOM	SQUARE FEET	WALL FINISH	FLOOR FINISH	BASE FINISH
LOBBY	296	VINYL	TILE	TILE	HALLWAY	58	PAINT	TILE	TILE
COATS	84	VINYL	TILE	TILE	HALLWAY STG	15	PAINT	TILE	TILE
CONF RM #1 & STORAGE	260	VINYL	CARPET	CARPET	LIT/MAG/CORDR	310	VINYL	CARPET & TILE	CARPET & TILE
OFFICE/FILES	130	VINYL	CARPET	CARPET	ELECT	24	PAINT	TILE	TILE
CONF RM 2	230	VINYL	CARPET & TILE	CARPET & TILE	LOBBY STORAGE	15	PAINT	TILE	TILE
MEN'S ROOM & STORAGE	132	PAINT	TILE	TILE	MEETING ROOM	447	VINYL	CARPET	CARPET
H'CAP TOILET	80	PAINT	TILE	TILE	AUDITORIUM	2006	VINYL	CARPET	CARPET
WOMEN'S ROOM	162	PAINT	TILE	TILE	PLATFORM STORAGE	93	PAINT	CARPET	CARPET
BABY CARE	90	PAINT	CARPET	CARPET	PLATFORM RAMP/STORAGE	93	VINYL	CARPET	CARPET

NO	DATE	REVISION	BY
6	2-11-12	ISSUED FOR REVIEW	JMH
8	4-1-12	ISSUED FOR APPROVAL	JMH

SHEET TITLE
ROOM FINISH

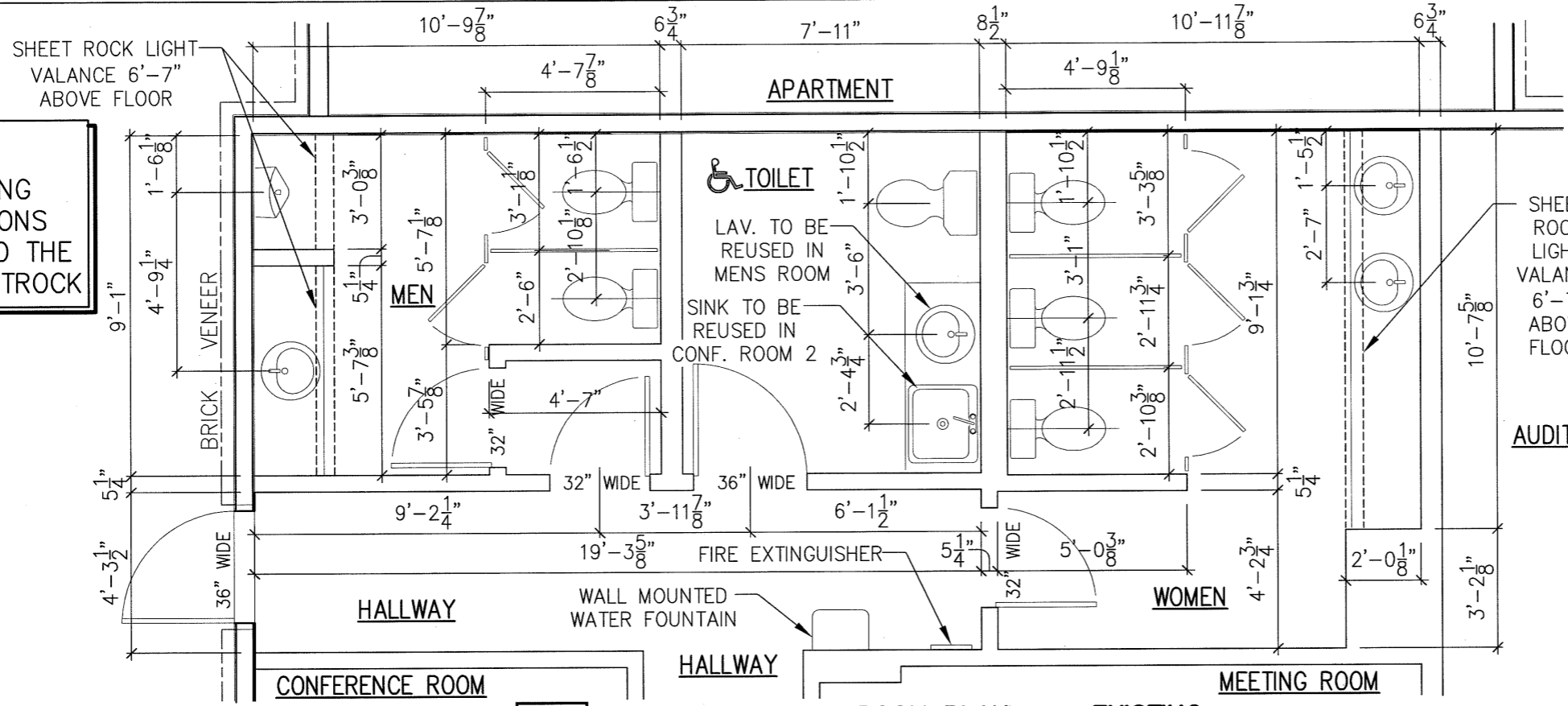
PROJECT TITLE
PORTLAND, ME. - KINGDOM HALL
REMODEL OF EXISTING HALL
UNITED STATES OF AMERICA



1 FLOOR PLAN - FINISHES
RA6.3 SCALE: 1/8"=1'-0"

DWN BY: JMH CKD BY:
SCALE: 1/8"=1'-0"
DATE: 1-15-12
CAD #: RA603_R8.dwg
SHEET No. 15
RA6.3

NOTE:
ON THE EXISTING PLAN, DIMENSIONS SHOWN ARE TO THE FACE OF SHEETROCK

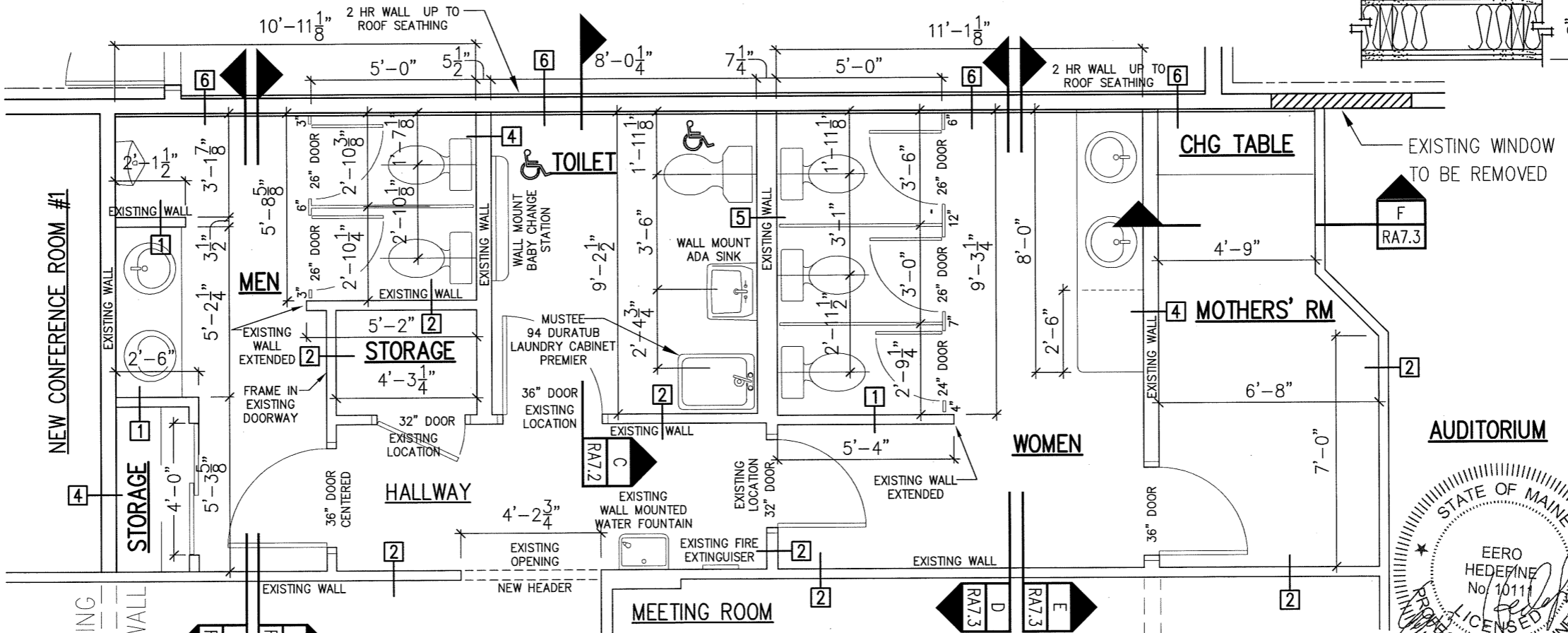


1 ENLARGED TOILET ROOM PLAN - EXISTING
A2.1 SCALE: 1/4"=1'-0"

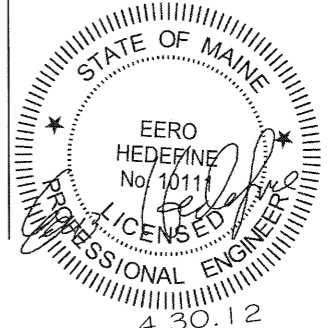
WALL TYPES

- 1 INTERIOR WALL
3 1/2" WOOD STUDS @ 16" O.C.
W/ ONE LAYER 1/2" GYP BD EA SIDE
- 2 INTERIOR WALL W/ INSULATION
3 1/2" WOOD STUDS @ 16" O.C.
W/ 3/8" BATT INSUL
W/ ONE LAYER 1/2" GYP BD EA SIDE
- 4 INTERIOR WALL W/ INSULATION
5 1/2" WOOD STUDS @ 16" O.C.
W/ 3/8" BATT INSUL
W/ ONE LAYER 1/2" GYP BD EA SIDE
- 5 INTERIOR WALL W/ INSULATION
7 1/4" WOOD STUDS @ 16" O.C.
W/ 3/8" BATT INSUL
W/ ONE LAYER 1/2" GYP BD EA SIDE
- 6 INTERIOR WALL (2 HR RATING)
5 1/2" WOOD STUDS @ 16" O.C.
W/ 3/8" BATT INSUL
W/ TWO LAYERS 5/8" GYP BD EA SIDE

NOTE:
ON THE PROPOSED PLAN, DIMENSIONS SHOWN ARE TO THE FRAMED (2xX) WALL



1 ENLARGED TOILET ROOM PLAN - PROPOSED
A2.1 SCALE: 1/4"=1'-0"

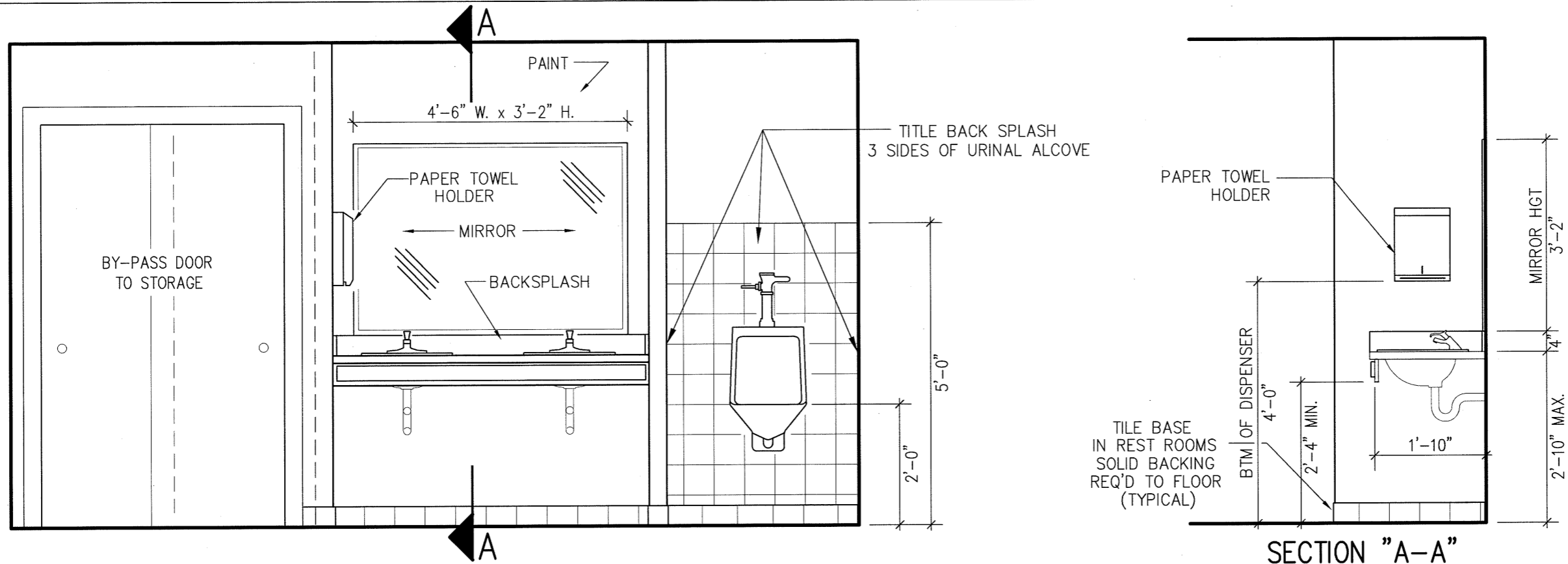


NO	DATE	REVISION
6	2-11-12	ISSUED FOR REVIEW
7a	2-25-12	WALL TYPE 6 ADDED
8	4-1-12	ISSUED FOR APPROVAL

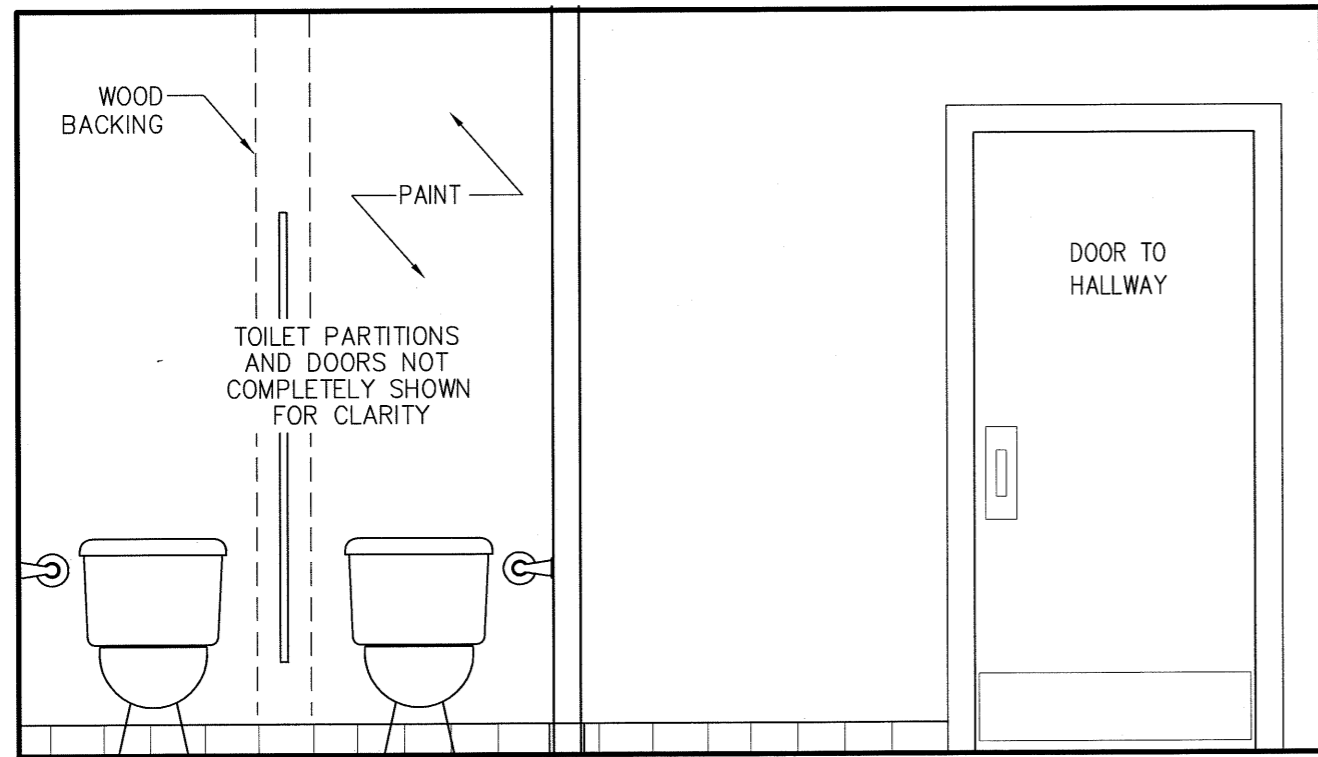
ENLARGED PLAN - EXISTING & PROPOSED TOILET ROOM

PROJECT TITLE
PORTLAND, ME - KINGDOM HALL
REMODEL OF EXISTING HALL
UNITED STATES OF AMERICA

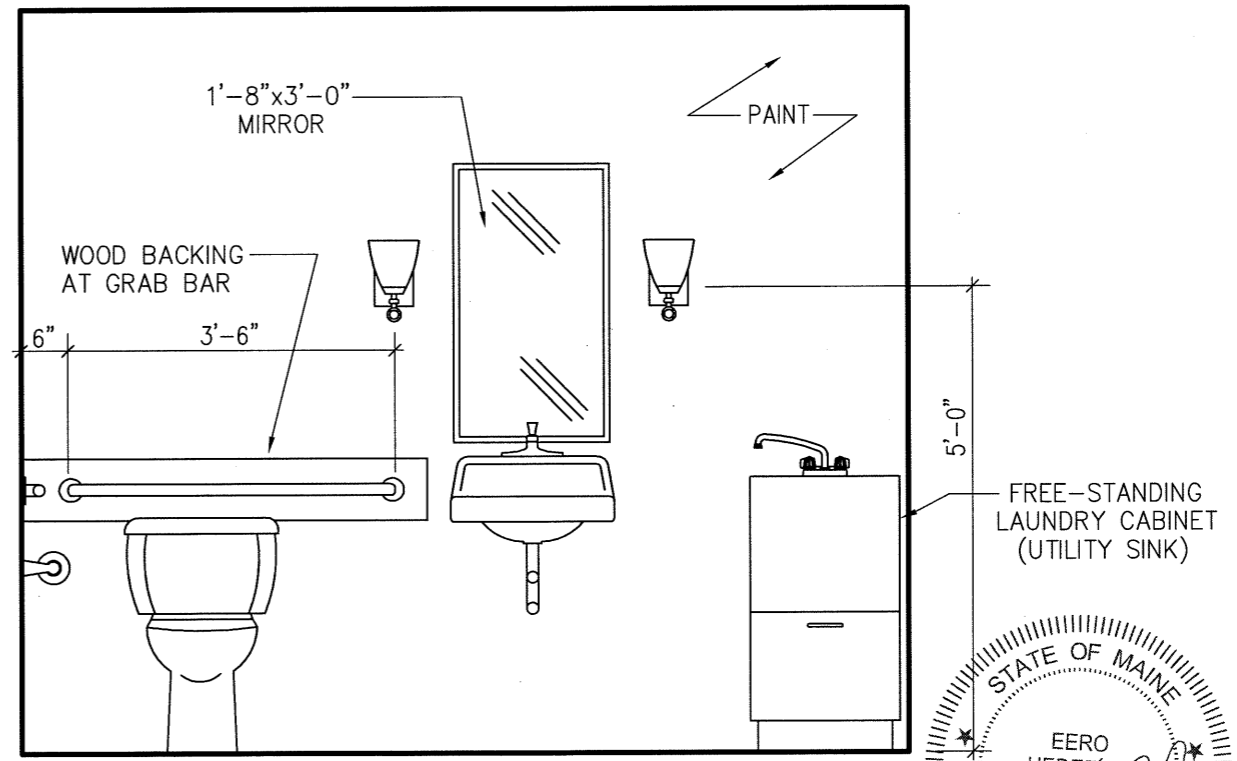
SHEET TITLE	ENLARGED PLAN - EXISTING & PROPOSED TOILET ROOM
DWN BY:	JMH CKD BY: JMH
SCALE:	1/4"=1'-0"
DATE:	1-15-12
CAD #:	RA701_R8.dwg
SHEET No.	16
RA7.1	



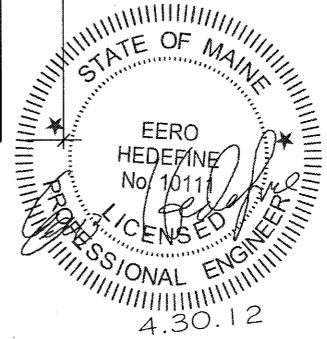
A MENS ROOM - ELEVATION & SECTION
A7.1 SCALE: 1/2"=1'-0"



B MENS ROOM - ELEVATION
A7.1 SCALE: 1/2"=1'-0"



C TOILET ELEVATION
A7.1 SCALE: 1/2"=1'-0"

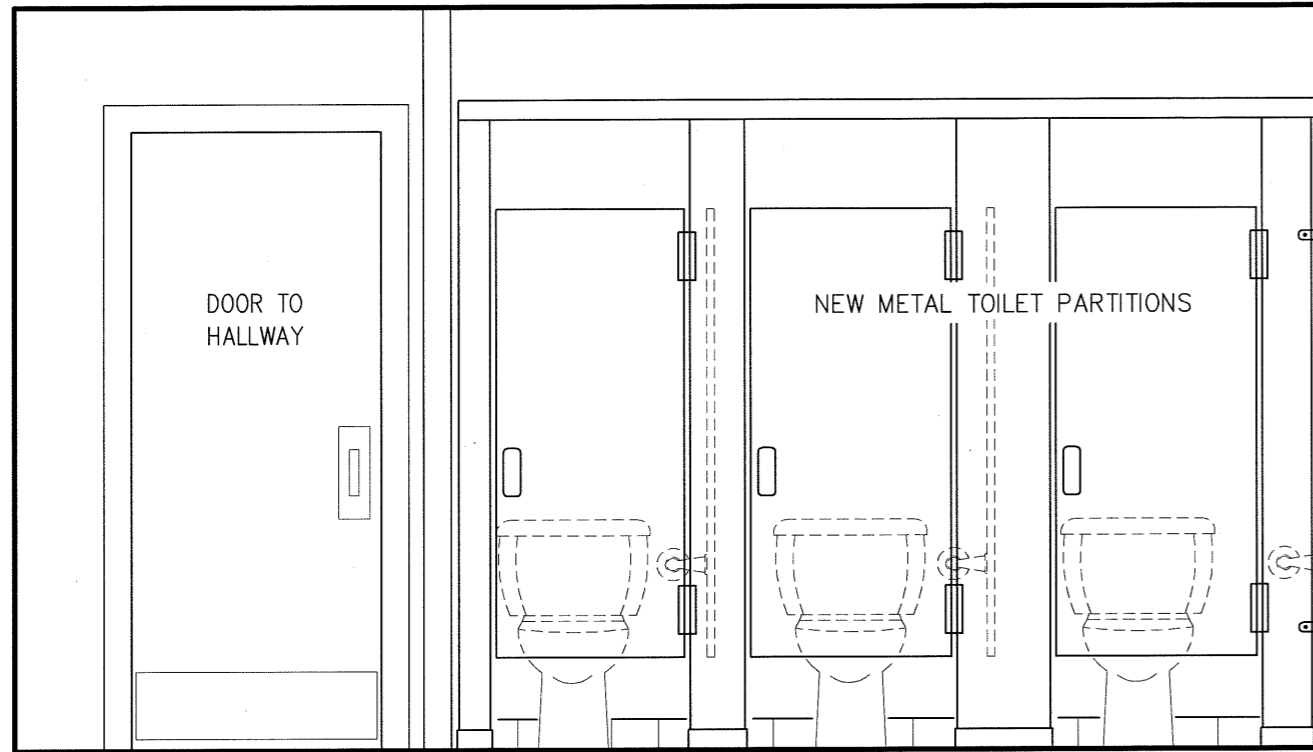


NO	DATE	REVISION
6	2-11-12	ISSUED FOR REVIEW
8	4-1-12	ISSUED FOR APPROVAL

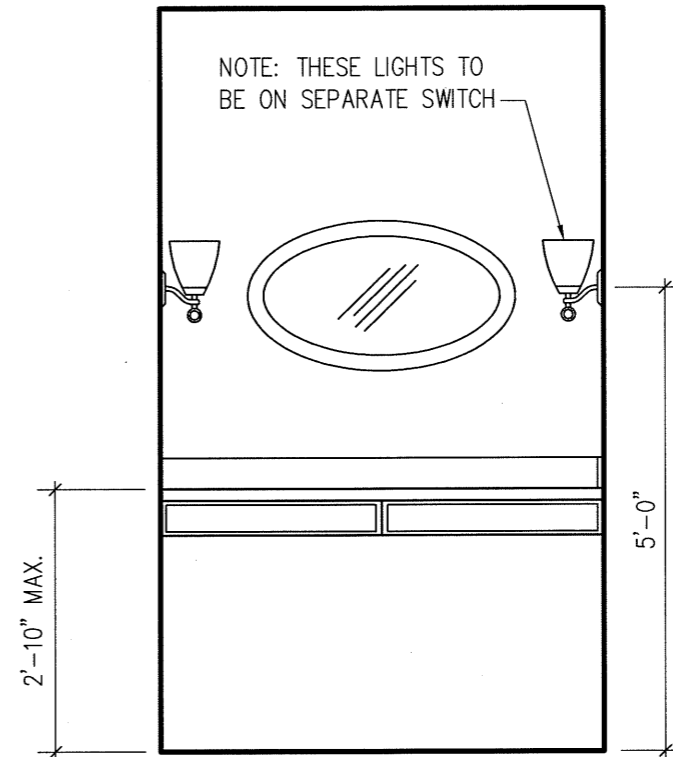
SHEET TITLE
**INTERIOR ELEVATIONS
 MENS ROOM AND HANDICAP TOILET**

PROJECT TITLE
**PORTLAND, ME - KINGDOM HALL
 REMODEL OF EXISTING HALL
 UNITED STATES OF AMERICA**

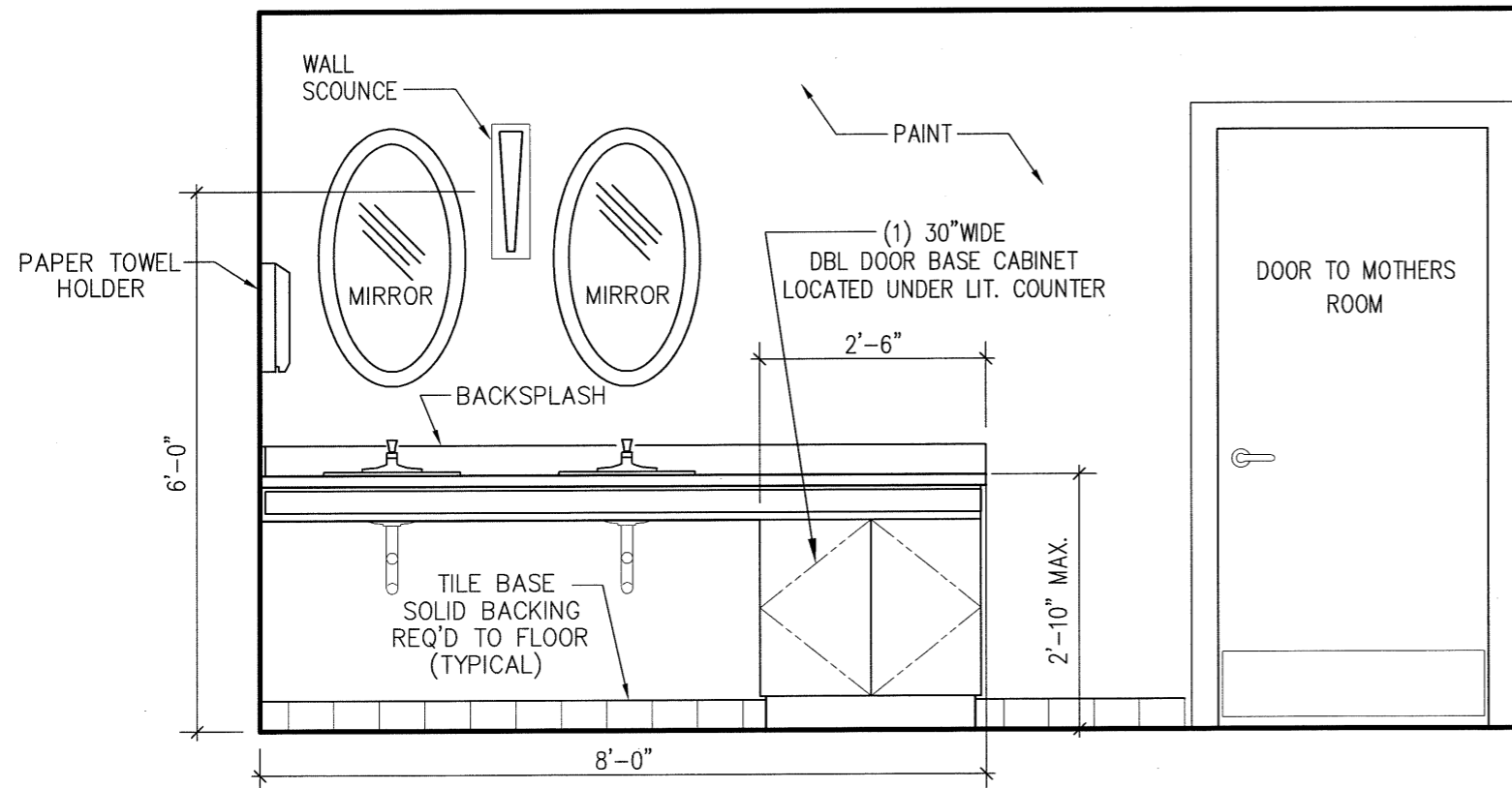
DWN BY: WEM	CKD BY: JMH
SCALE: 1/2"=1'-0"	
DATE: 2-2-12	
CAD #: RA702_R8.dwg	
SHEET No. 17	
RA7.2	



D **WOMENS ROOM - ELEVATION**
RA7.1 SCALE: 1/2"=1'-0"



RA **MOTHERS ROOM - ELEVATION**
RA7.1 SCALE: 1/2"=1'-0"

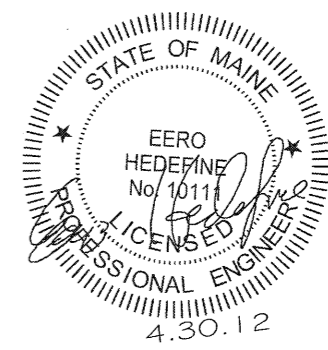


A **WOMENS ROOM - ELEVATION**
RA7.1 SCALE: 1/2"=1'-0"

NO	DATE	REVISION	BY
6	2-11-12	ISSUED FOR REVIEW	WEM
8	4-1-12	ISSUED FOR APPROVAL	WEM

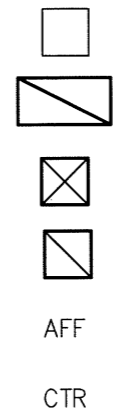
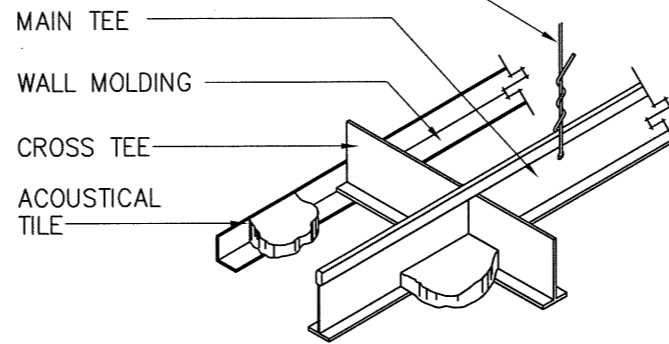
SHEET TITLE
**INTERIOR ELEVATIONS
 WOMENS AND MOTHERS ROOMS**

PROJECT TITLE
**PORTLAND, ME - KINGDOM HALL
 REMODEL OF EXISTING HALL
 UNITED STATES OF AMERICA**

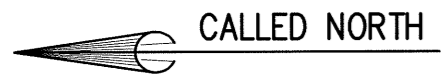


DWN BY: WEM	CKD BY: JMH
SCALE: 1/2"=1'-0"	
DATE: 2-3-12	
CAD #: RA703_R8.dwg	
SHEET No. 18	
RA7.3	

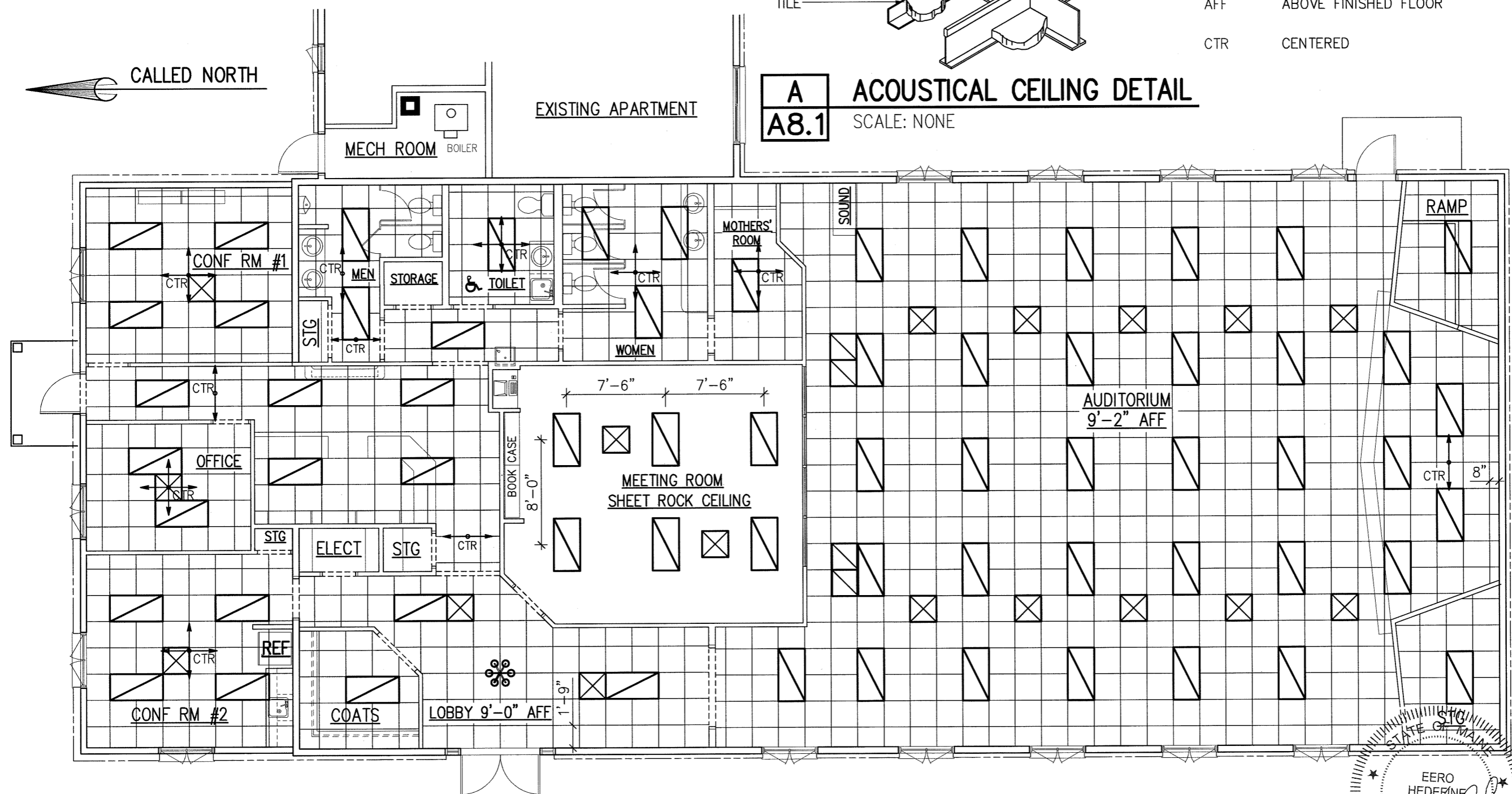
#8-#12 HANGING WIRE @ 4'-0" O.C.
EACH WAY AND AT EACH CORNER
OF LIGHT FIXTURES



- SYMBOLS LIST**
- 2' x 2' ACOUSTICAL CEILING TILE
 - ▤ 2' x 4' LIGHT FIXTURE
 - ⊗ SUPPLY AIR DIFFUSER
 - ▥ RETURN AIR GRILLE
 - AFF ABOVE FINISHED FLOOR
 - CTR CENTERED

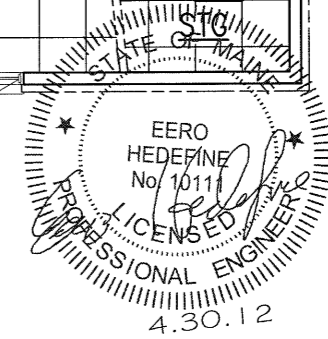


A ACOUSTICAL CEILING DETAIL
A8.1 SCALE: NONE



1 REFLECTED CEILING PLAN
RA8.1 SCALE: 1/8"=1'-0"

NOTE:
ALL SUSPENDED CEILING ARE 8'-0" AFF,
EXCEPT AUDITORIUM AND LOBBY, AS NOTED.

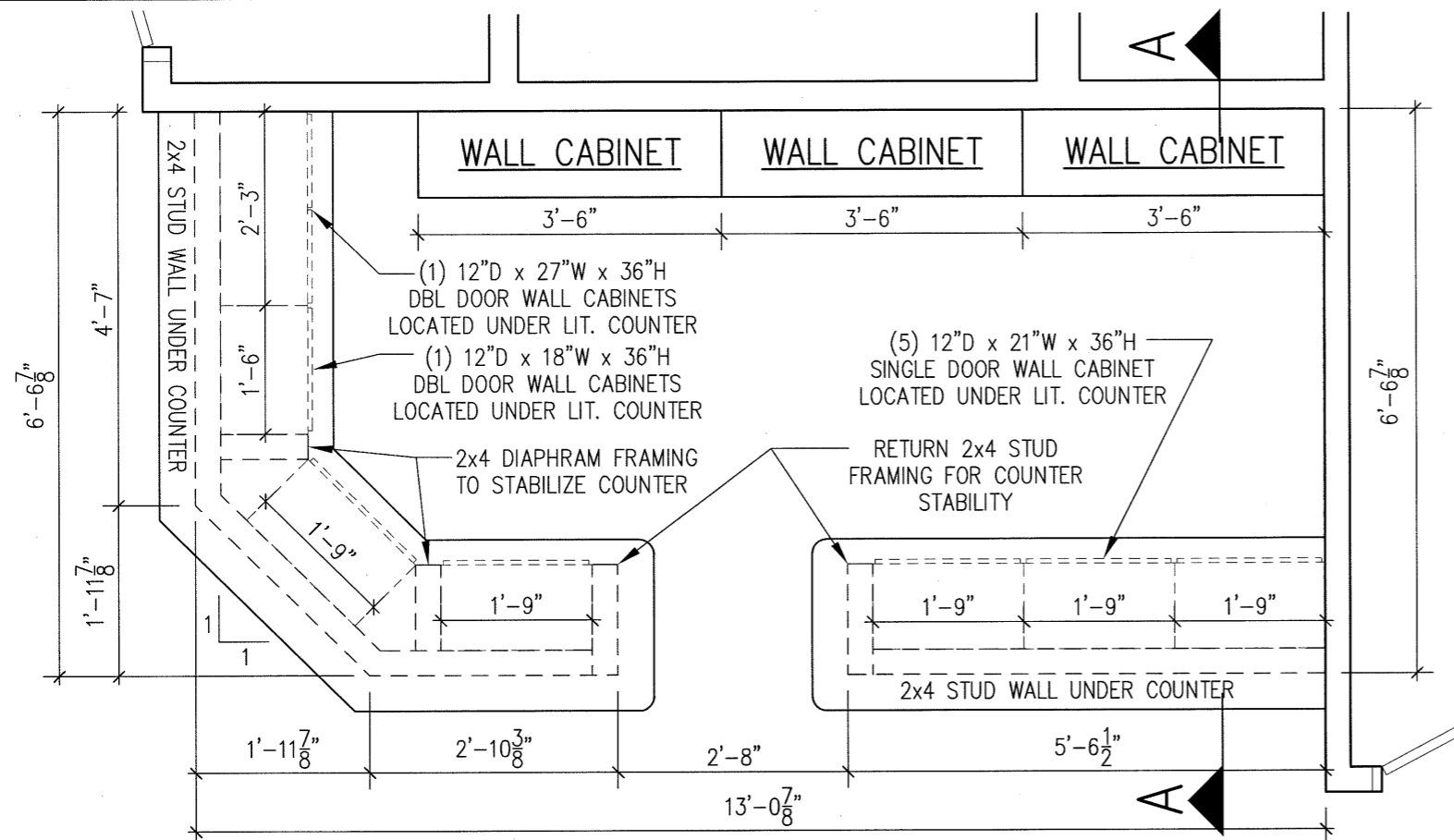


NO	DATE	REVISION	BY
6	2-11-12	ISSUED FOR REVIEW	WEM
8	4-1-12	ISSUED FOR APPROVAL	WEM

SHEET TITLE
**REFLECTED CEILING PLAN
ADDITIONS & RENOVATION**

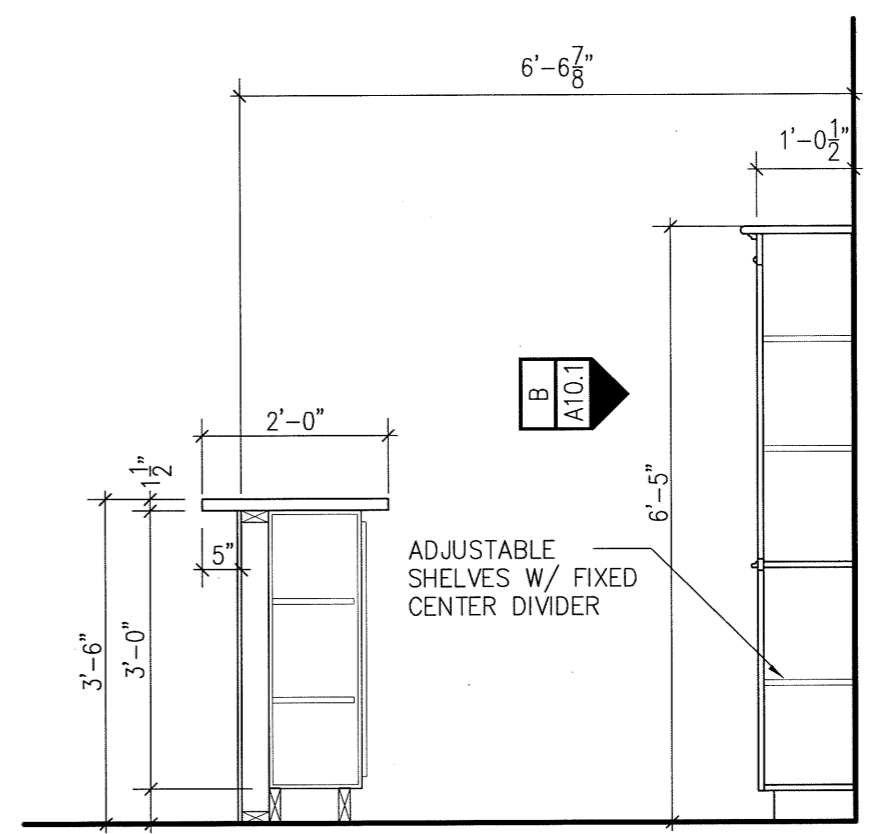
PROJECT TITLE
**PORTLAND, ME. - KINGDOM HALL
REMODEL OF EXISTING HALL
UNITED STATES OF AMERICA**

DWN BY: WEM CKD BY:
SCALE: 1/8"=1'-0"
DATE: 12-16-2011
CAD #: RA801_R8.dwg
SHEET No. 19
RA8.1

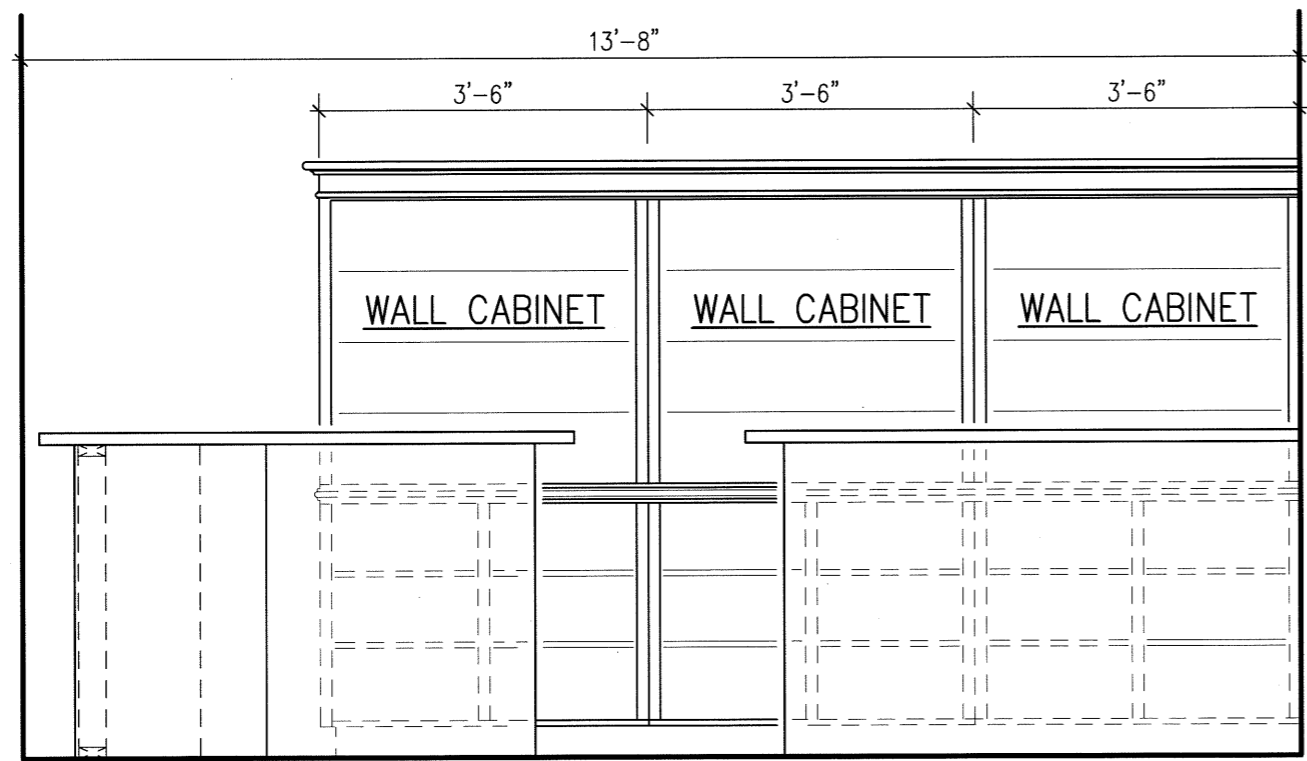


NOTE:
FRAMING MAY BE ADJUSTED TO ACCOMADATE ACTUAL CABINET SIZES UNDER COUNTER

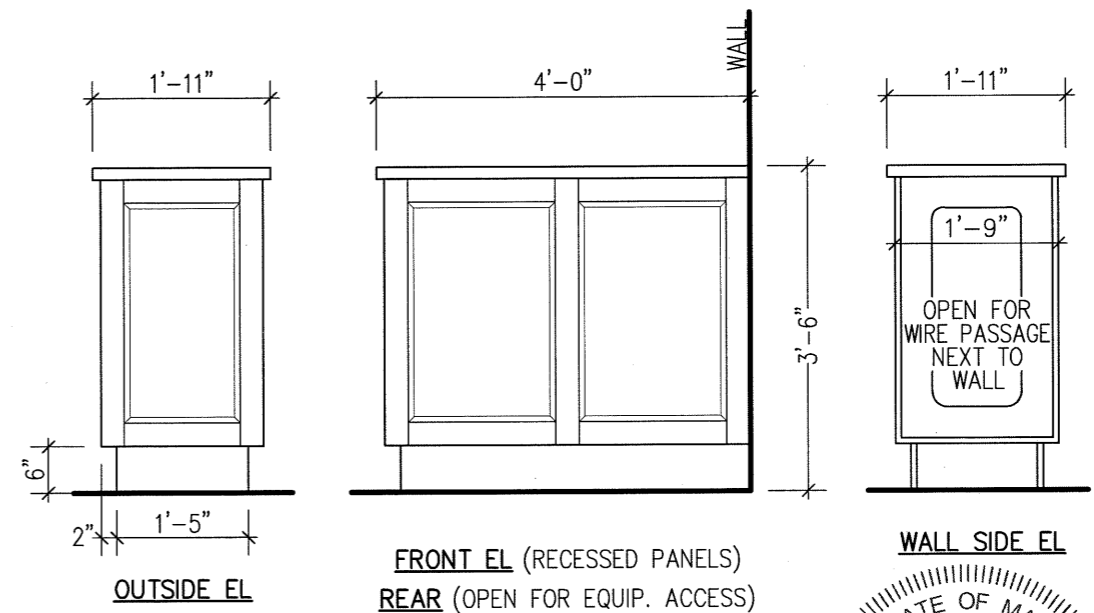
A PLAN VIEW OF LIT/MAG AREA
A2.1 SCALE: 1/2"=1'-0"



COUNTER & CABINET SECTION "A-A"

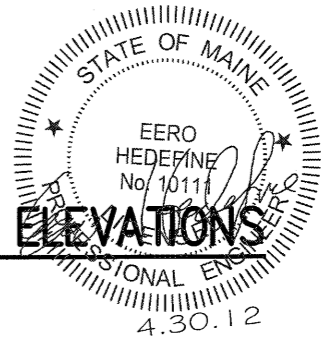


B LITERATURE AREA - WALL CABINET
A2.1 SCALE: 1/2"=1'-0"



NOTES:
1. ONE ADJUSTABLE SHELF IS PROVIDED

C SOUND CABINET PLAN & ELEVATIONS
A2.1 SCALE: 1/2"=1'-0"

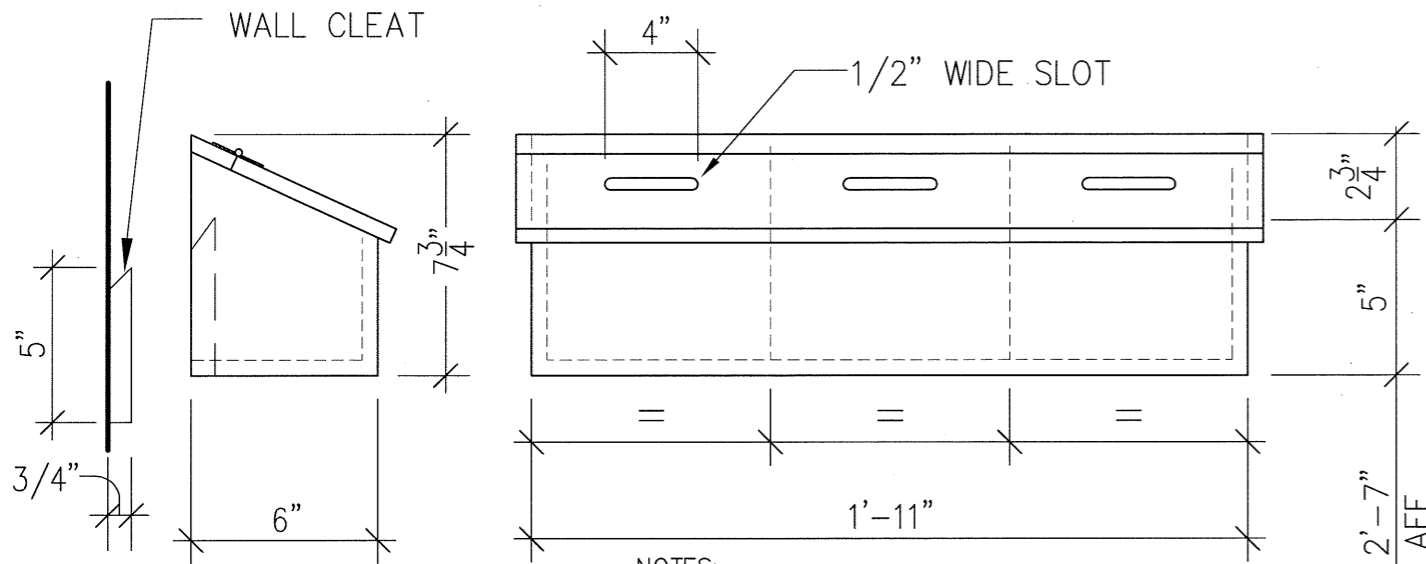


NO	DATE	REVISION
6	2-11-12	ISSUED FOR REVIEW
8	4-1-12	ISSUED FOR APPROVAL

SHEET TITLE
CABINET DETAILS
LITERATURE AREA & SOUND CABINET

PROJECT TITLE
PORTLAND, MAINE - KINGDOM HALL
REMODEL OF EXISTING HALL
UNITED STATES OF AMERICA

DWN BY: JMH	CKD BY: JMH
SCALE: 1/2"=1'-0"	
DATE: 2-1-12	
CAD #: RA101_R8.dwg	
SHEET No. 20	
RA10.1	

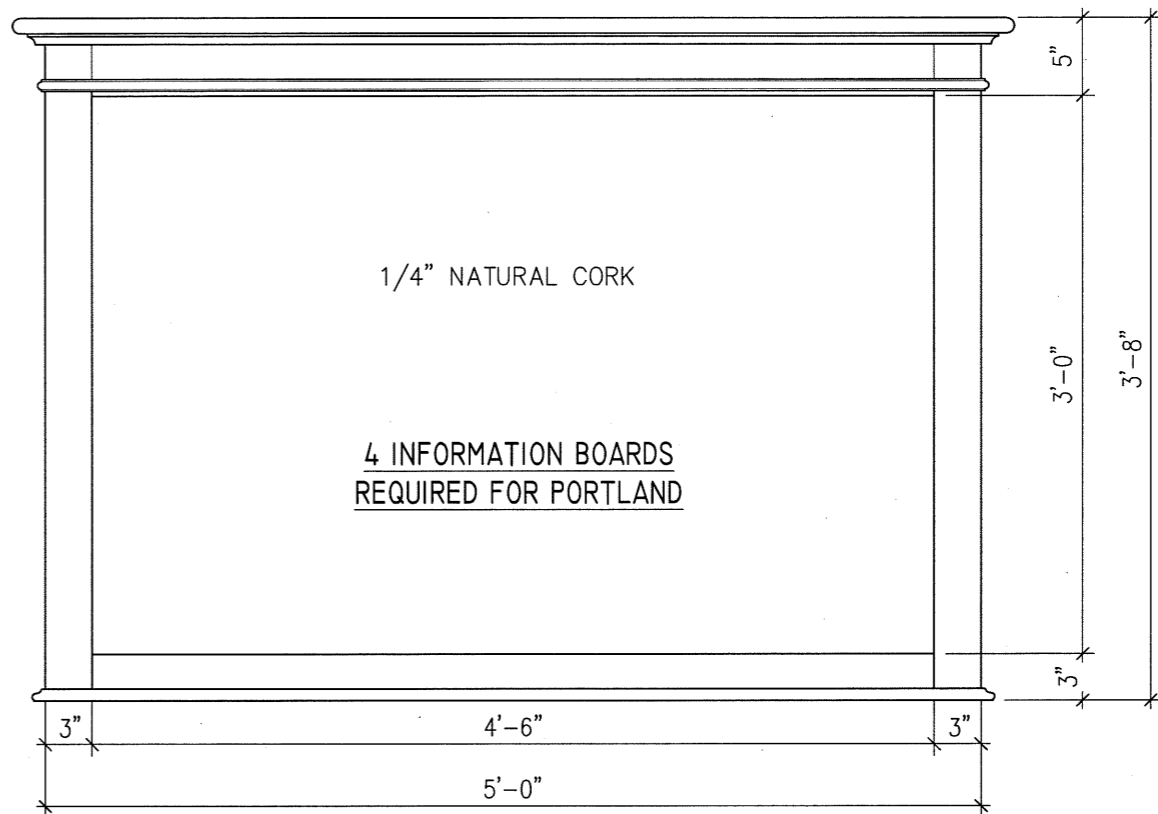


1 CONTRIBUTION BOX
REQUIRED FOR PORTLAND

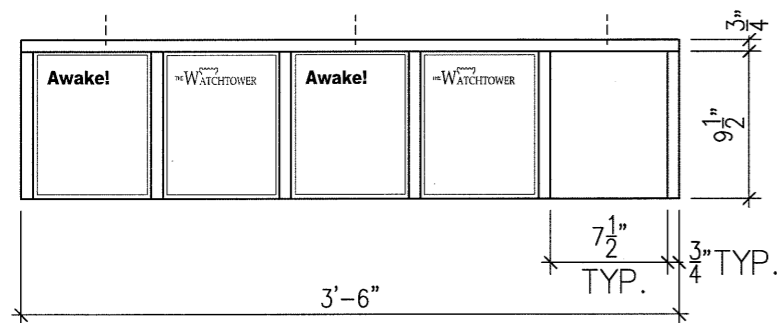
NOTES:

1. PROVIDE HINGED OPENING AT TOP

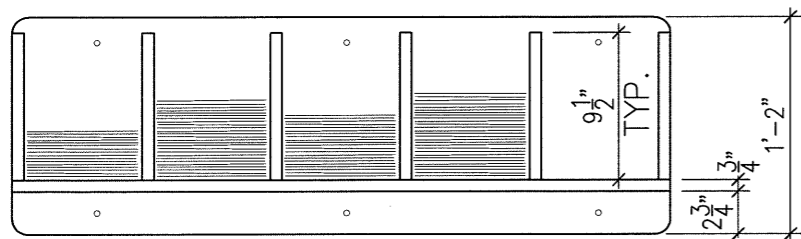
C
A2.1 CONTRIBUTION BOXES
SCALE: 1" = 1'-0"



A
A2.1 INFORMATION BOARD DETAIL
SCALE: 1/2" = 1'-0"



PLAN VIEW

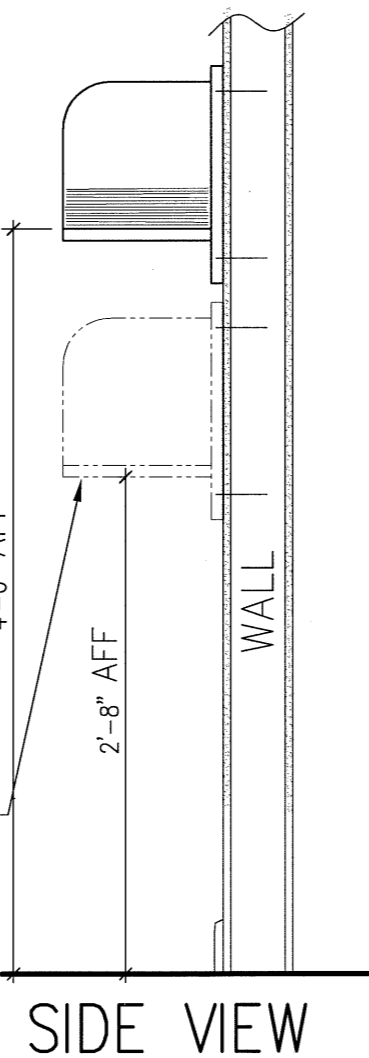


ELEVATION

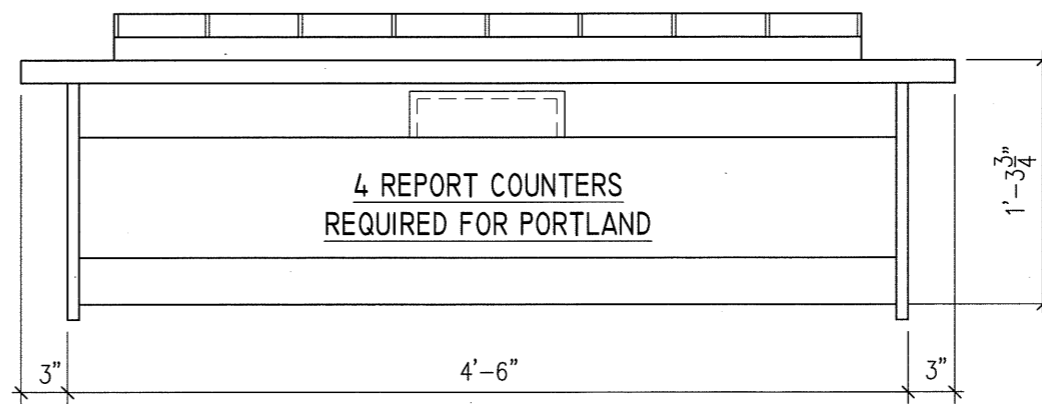
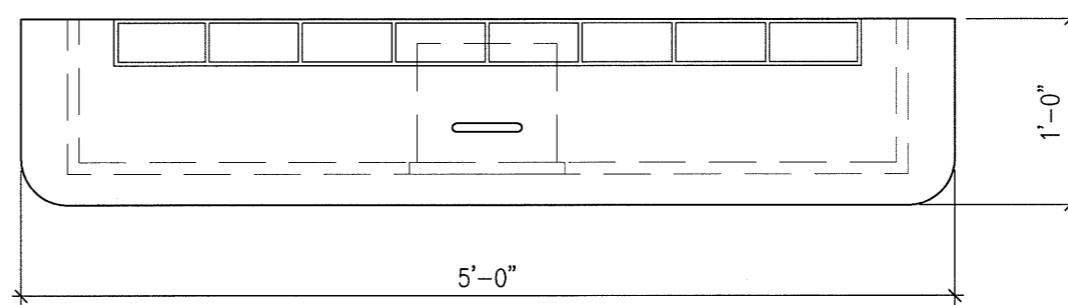
3 MAGAZINE BOXES
REQUIRED FOR PORTLAND

SECOND MAGAZINE BOX
AT THE REQUEST OF THE
CONGREGATION

D
A2.1 MAGAZINE BOX - WALL MOUNT
SCALE: 1/2" = 1'-0"

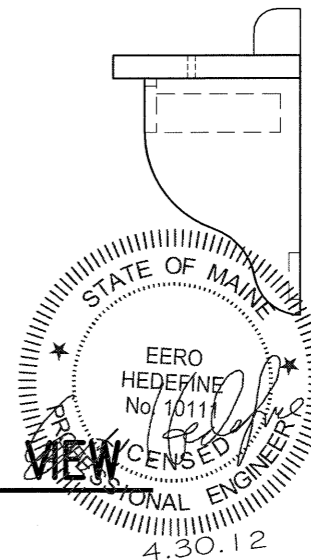


SIDE VIEW



4 REPORT COUNTERS
REQUIRED FOR PORTLAND

B
A2.1 REPORT COUNTER - PLAN, ELEV. & END VIEW
SCALE: 1/2" = 1'-0"

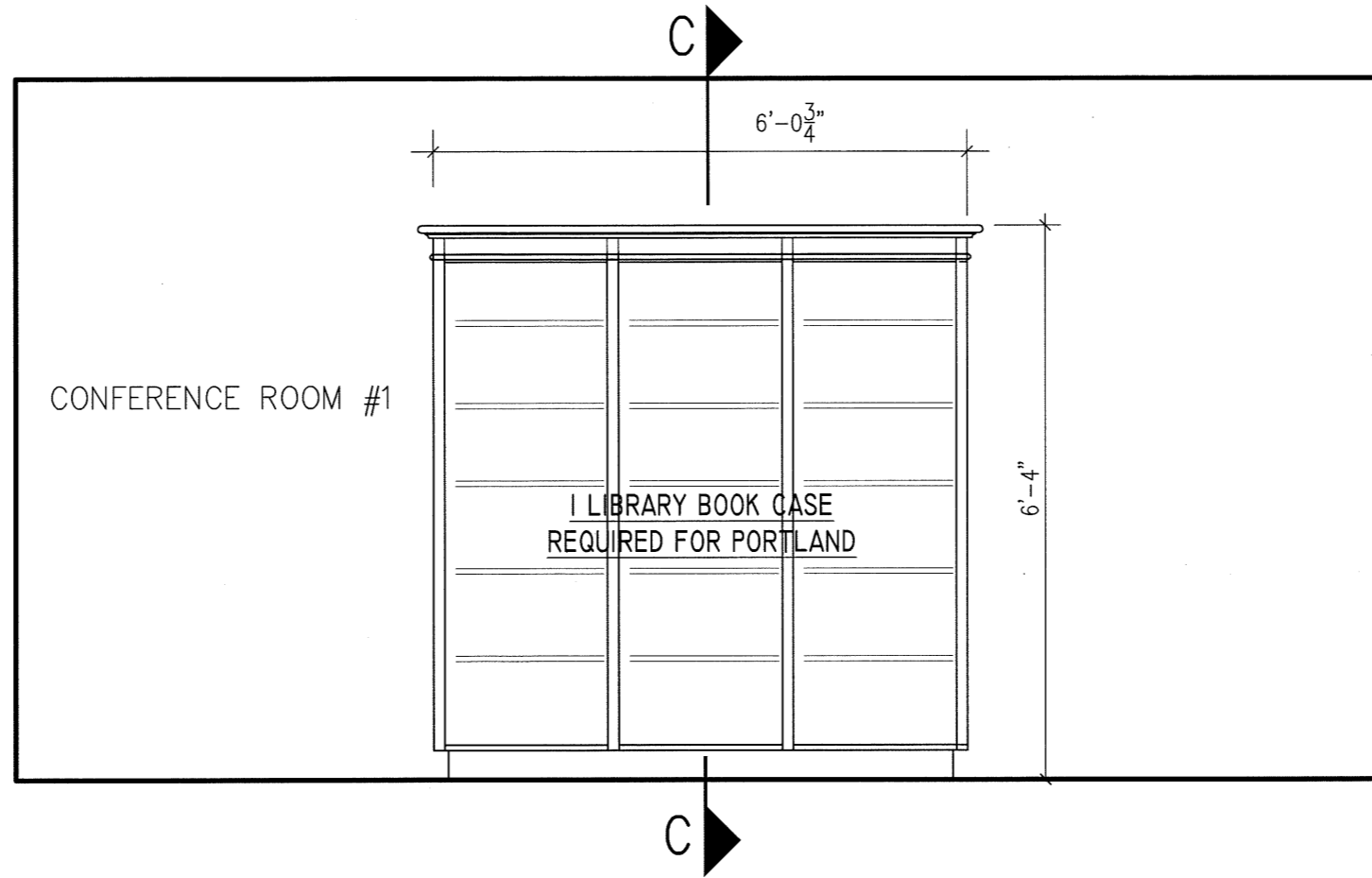
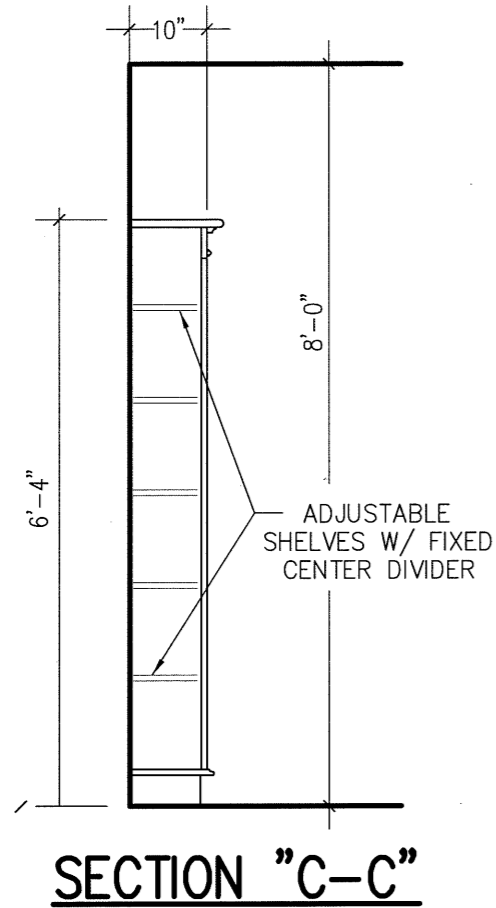


NO	DATE	REVISION	BY
6	2-11-12	ISSUED FOR REVIEW	JMH
8	4-1-12	ISSUED FOR APPROVAL	JMH

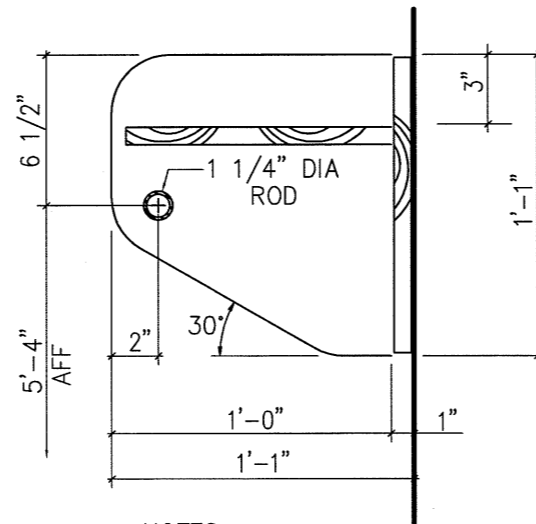
SHEET TITLE
CABINET DETAILS
INFO BOARD, REPORT CTR & CONT. BOX

PROJECT TITLE
PORTLAND, MAINE - KINGDOM HALL
REMODEL OF EXISTING HALL
UNITED STATES OF AMERICA

DWN BY: JMH CKD BY: JMH
SCALE: AS NOTED
DATE: 2-2-12
CAD #: RA102_R8.dwg
SHEET No. 21
RA10.2



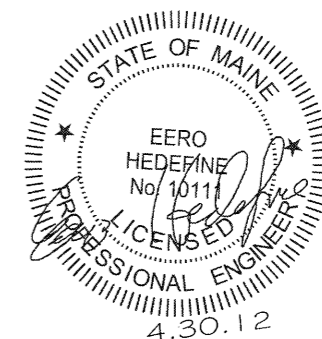
A LIBRARY BOOK CASE - ELEVATION
A2.1 SCALE: 1/2"=1'-0"



FOR THE PORTLAND PROJECT
 (4) UNITS @ 3'-8" LG.
 VERIFY WITH PROJECT COORDINATOR

- NOTES:
 1. COAT RACKS TO BE PREFABRICATED UNITS (MAXIMUM OF 60" LONG)

B COAT RACK (WALL HUNG)
A2.1 SCALE: 3"=1'-0"



NO	DATE	REVISION	BY
6	2-11-12	ISSUED FOR REVIEW	JMH
8	4-1-12	ISSUED FOR APPROVAL	JMH

SHEET TITLE
CABINET DETAILS
LIB. BOOK CASE & COAT RACK

PROJECT TITLE
PORTLAND, MAINE - KINGDOM HALL
 REMODEL OF EXISTING HALL
 UNITED STATES OF AMERICA

DWN BY: WEM	CKD BY: JMH
SCALE: AS NOTED	
DATE: 2-3-12	
CAD #: RA103_R8.dwg	
SHEET No. 22	
RA10.3	

VERTICAL DIAG. BRACING REQUIRED AT VERTIACL (OR NEAR VERT.) CORD MEMBERS OF TRUSSES, MUST RUN FULL LENGHT OF BUILDING, AND ADJUSTED AT REQUIRED AT MECH. ROOM TRUSSES.

NOTES:

1. 6/12 GABLE END ROOF
2. 2'-0" OVERHANG TYPICAL TO MATCH EXISTING (VERIFY)

3. ALL MANUFACTURED TRUSSES SHALL BE CERTIFIED FOR THE FOLLOWING MINIMUMS:
DESIGNED TO MEET IBC 2009 LOADING:
GROUND SNOW LOAD: 60 PSF
BASIC WIND SPEED: 90 MPH
EXPOSURE CATEGORY: C
SEISMIC DESIGN CATEGORY: B
4. CONSULT TRUSS MFR'S SHOP DRAWINGS FOR DETAILS.

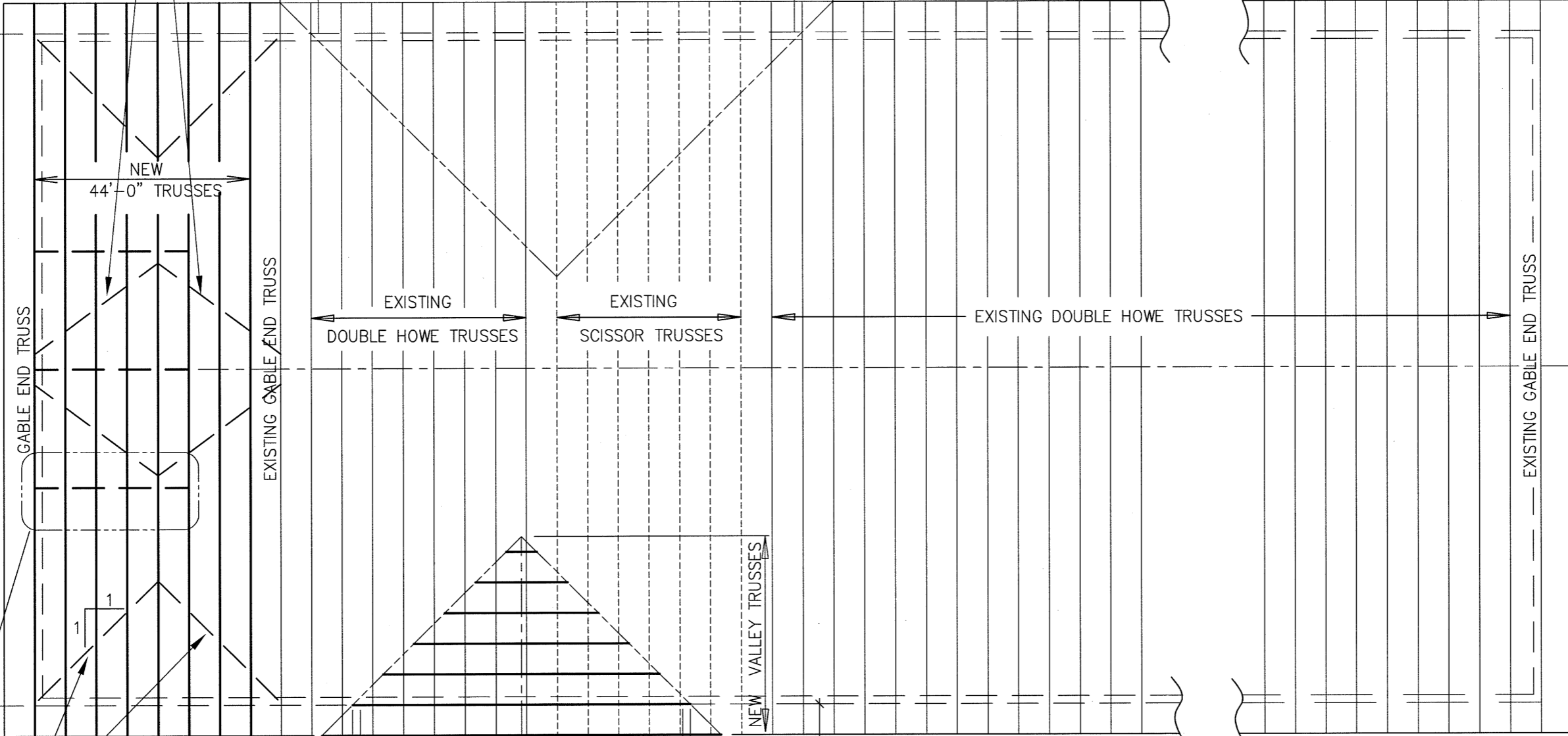
← CALLED NORTH



(SEE NOTE 2)

2'-0"

EXISTING APARTMENT



NEW 44'-0" TRUSSES

EXISTING DOUBLE HOWE TRUSSES

EXISTING SCISSOR TRUSSES

EXISTING DOUBLE HOWE TRUSSES

EXISTING GABLE END TRUSS

16'-0" ADDITION NEW TRUSSES

92'-0" EXISTING

DRIVE THRU

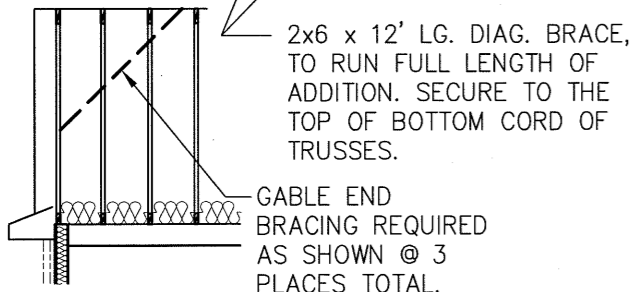
NEW DRIVE THRU TRUSSES

20'-0"

DIAG. BRACING REQUIRED IN CARPORT ROOF TRUSSES. SEE SHEET A3.3 FOR TRUSS BRACING NOTES.

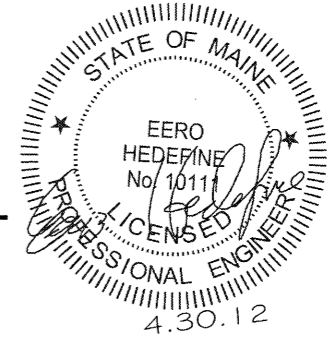
GABLE END TRUSS

22'-0" C to C LVL's 2'-0" (SEE NOTE 2)



BRACING DETAIL TYP.

1 **ROOF FRAMING PLAN**
RS2.1 SCALE: 1/8"=1'-0"



NO	DATE	REVISION	BY
6	2-11-12	ISSUED FOR REVIEW	WEM
8	4-1-12	DRIVE THRU TRUSSES REVISED	JMH

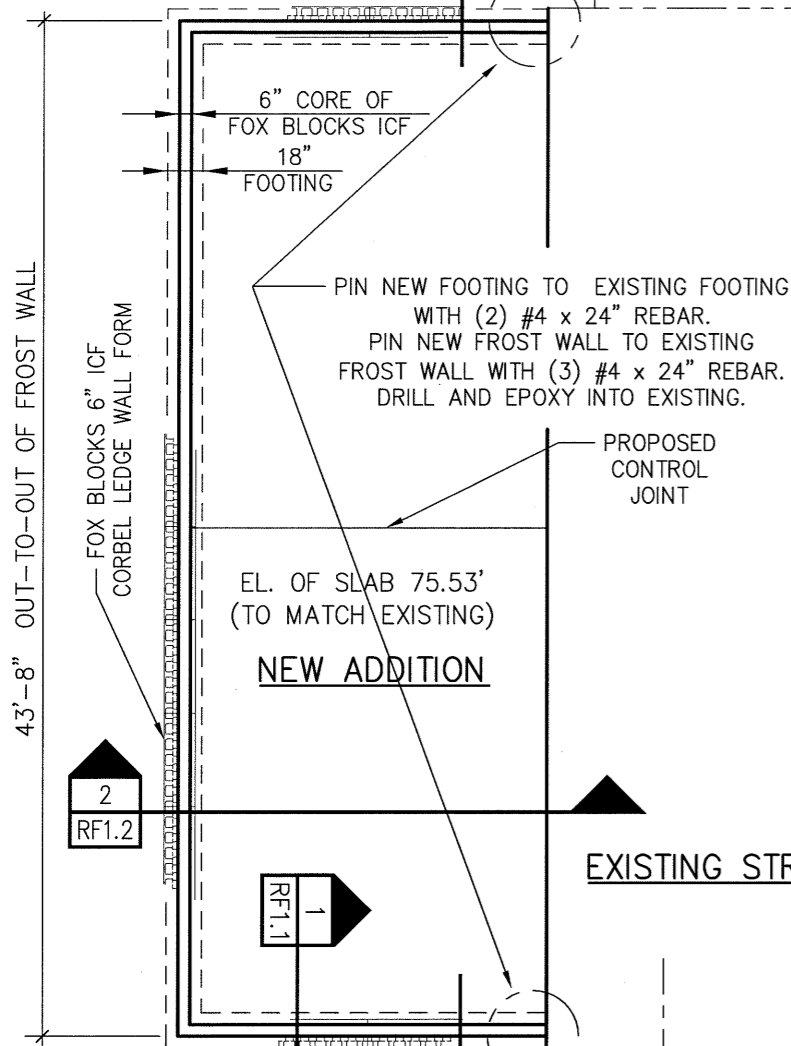
ROOF FRAMING PLAN
PORTLAND, ME. - KINGDOM HALL
REMODEL OF EXISTING HALL
UNITED STATES OF AMERICA

DWN BY: WEM CKD BY:
SCALE: 1/8"=1'-0"
DATE: 2-3-12
CAD #: RS201_R8.dwg
SHEET No. 23
RS2.1

2'x7' CONCRETE SLAB FOR A/C UNITS

EXTERIOR FACE OF EXISTING FROST WALL

EXISTING APARTMENT



NOTE:

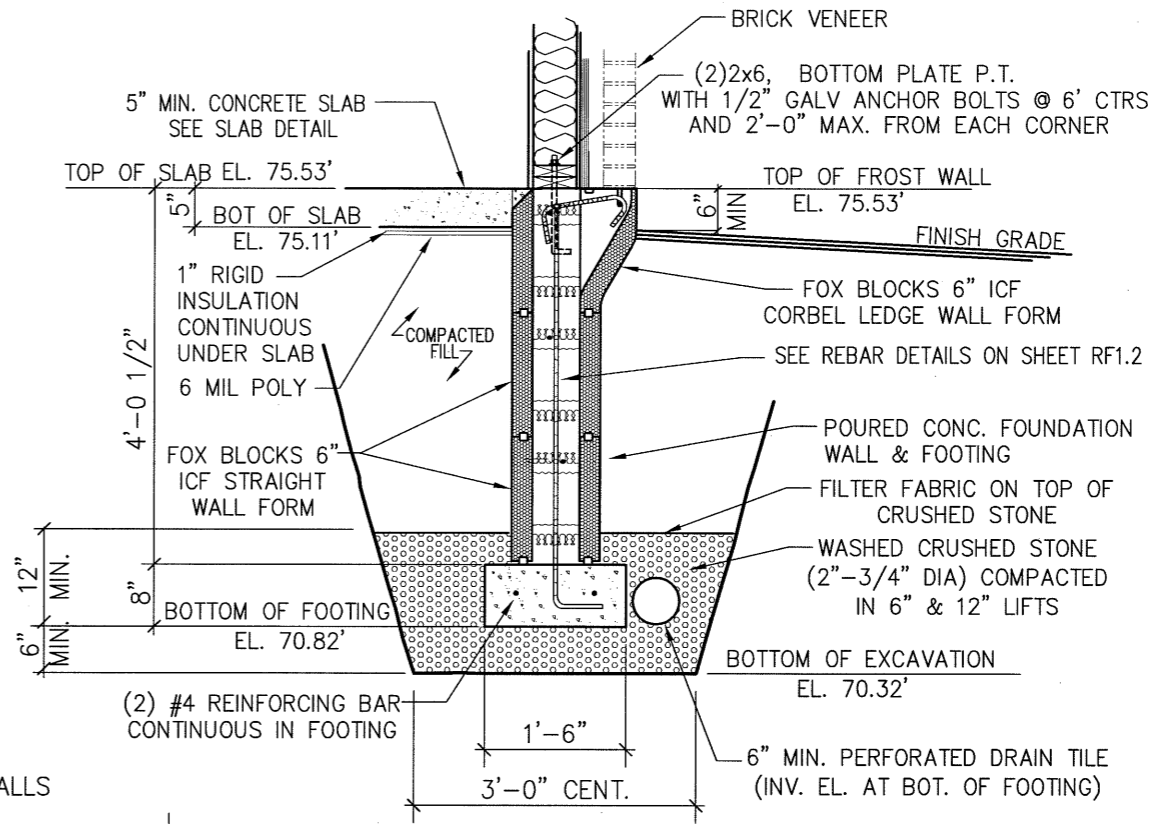
BEFORE POURING THE CONCRETE SLAB CHECK WITH THE FOLLOWING DEPARTMENT OVERSEERS TO BE SURE THAT ALL NECESSARY ITEMS HAVE BEEN INSTALLED IN THE COMPACTED FILL:

- PLUMBING
- HEATING & AIR CONDITIONING
- ELECTRICAL

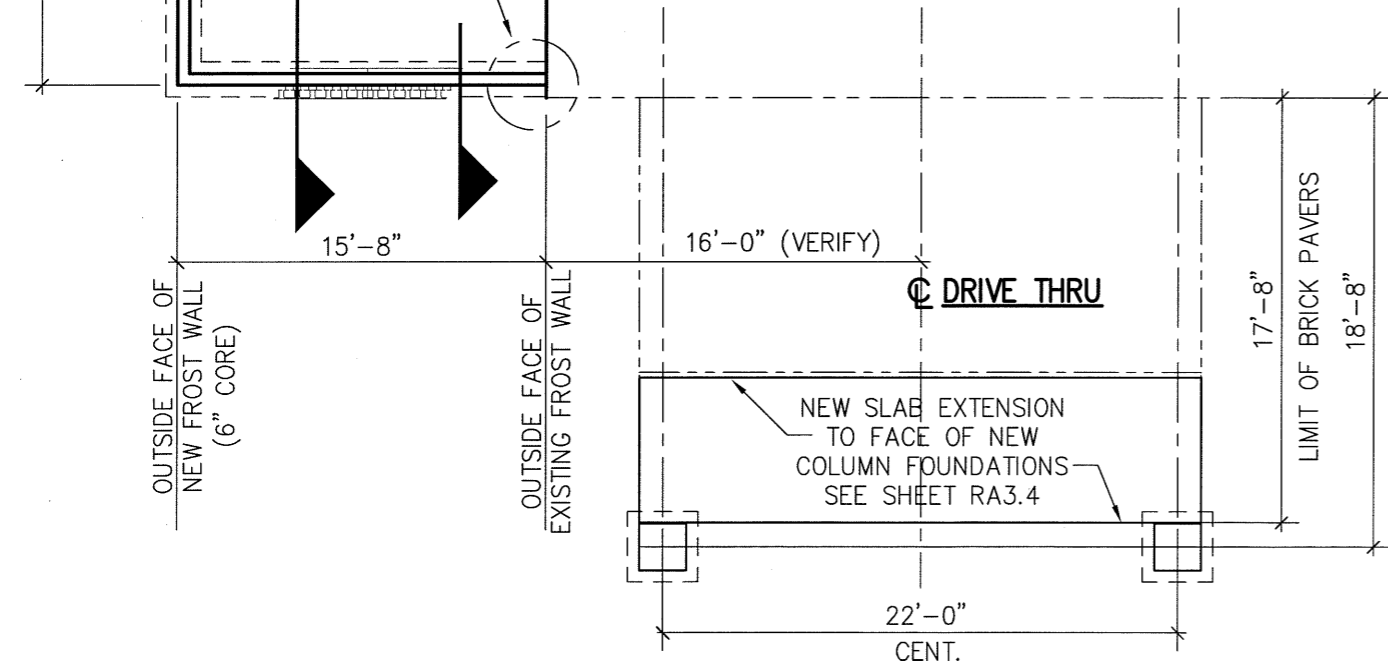
NOTE:

BEFORE POURING THE FOOTINGS OR FROST WALLS CHECK TO BE SURE THAT ALL NECESSARY BONDOUTS OR SLEEVES HAVE BEEN INSTALLED FOR THE FOLLOWING ITEMS:

- DRAINAGE
- PLUMBING
- ELECTRICAL



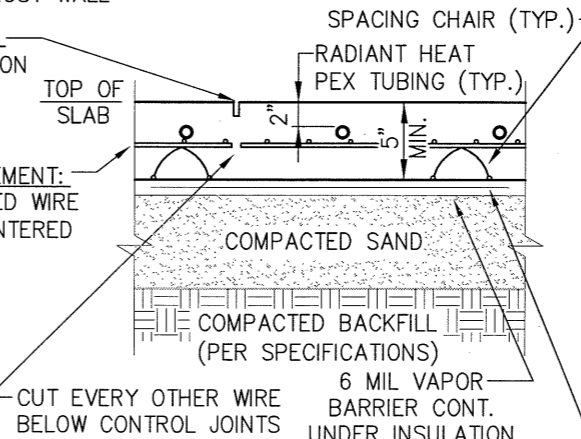
1 SECTION
RF1.1 SCALE: 1/2"=1'



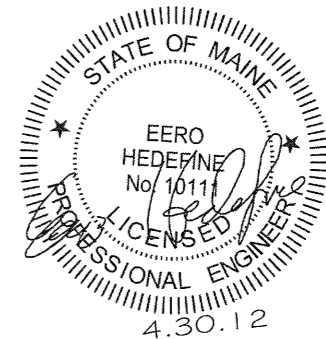
EXTERIOR FACE OF EXISTING FROST WALL

1 1/4" DEEP CONTROL JOINT AS SHOWN ON FOUNDATION PLAN

STEEL REINFORCEMENT: 6x6 - W1.4 WELDED WIRE FABRIC (WWF) CENTERED IN SLAB



SLAB DETAIL
SCALE: 1/2"=1'-0"



NO	DATE	REVISION	BY
6	2-11-12	ISSUED FOR REVIEW	JMH
8	4-1-12	PIN DETAIL ADDED, 6" STONE BELOW FOOTING ADDED, AND ICF BLOCKS	JMH

FOUNDATION PLAN

PORTLAND, ME. - KINGDOM HALL
REMODEL OF EXISTING HALL
UNITED STATES OF AMERICA

SHEET TITLE

DWN BY: JMH CKD BY: JMH

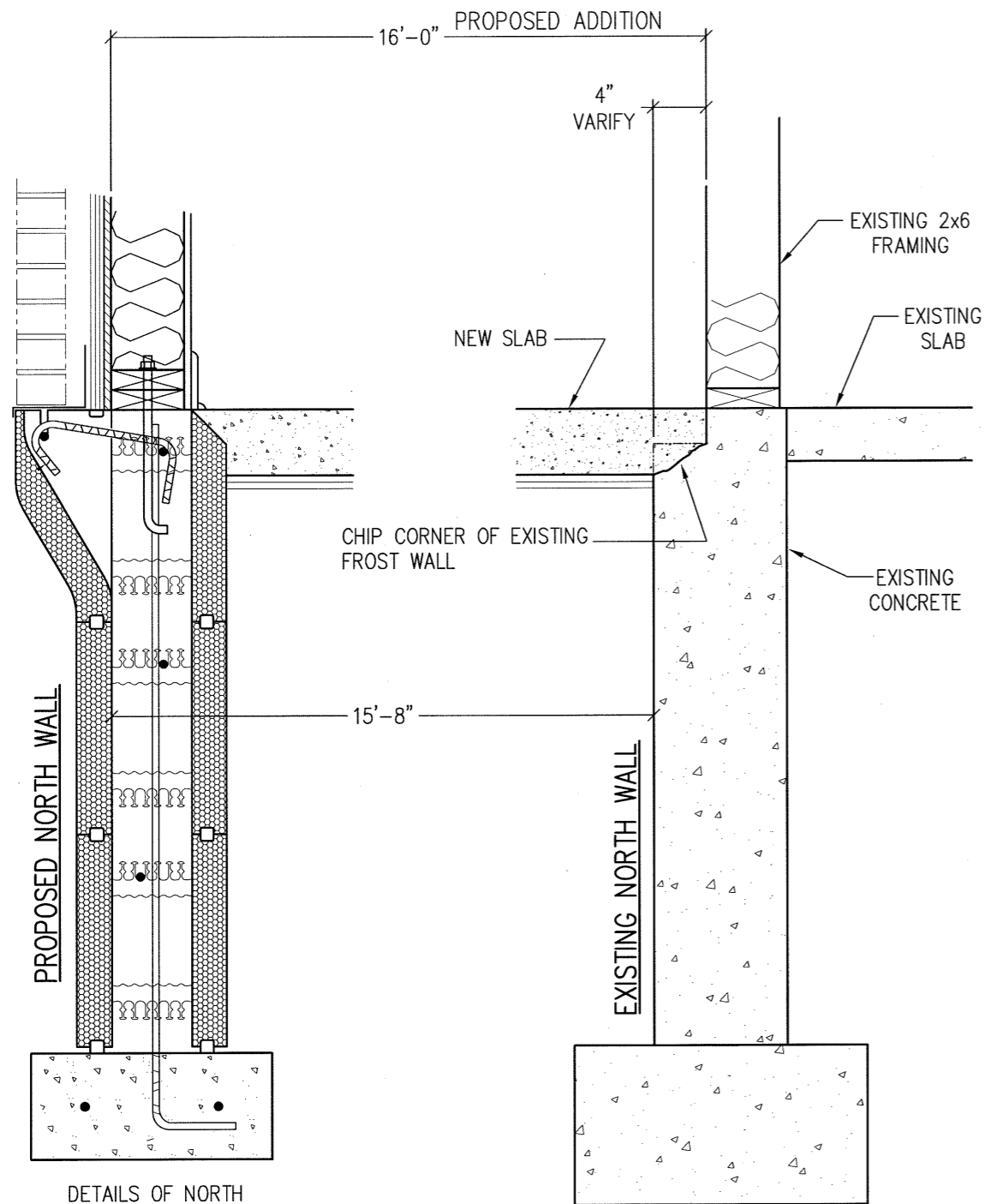
SCALE: 1/8"=1' UNO

DATE: 10-30-11

CAD #RF101_R8.dwg

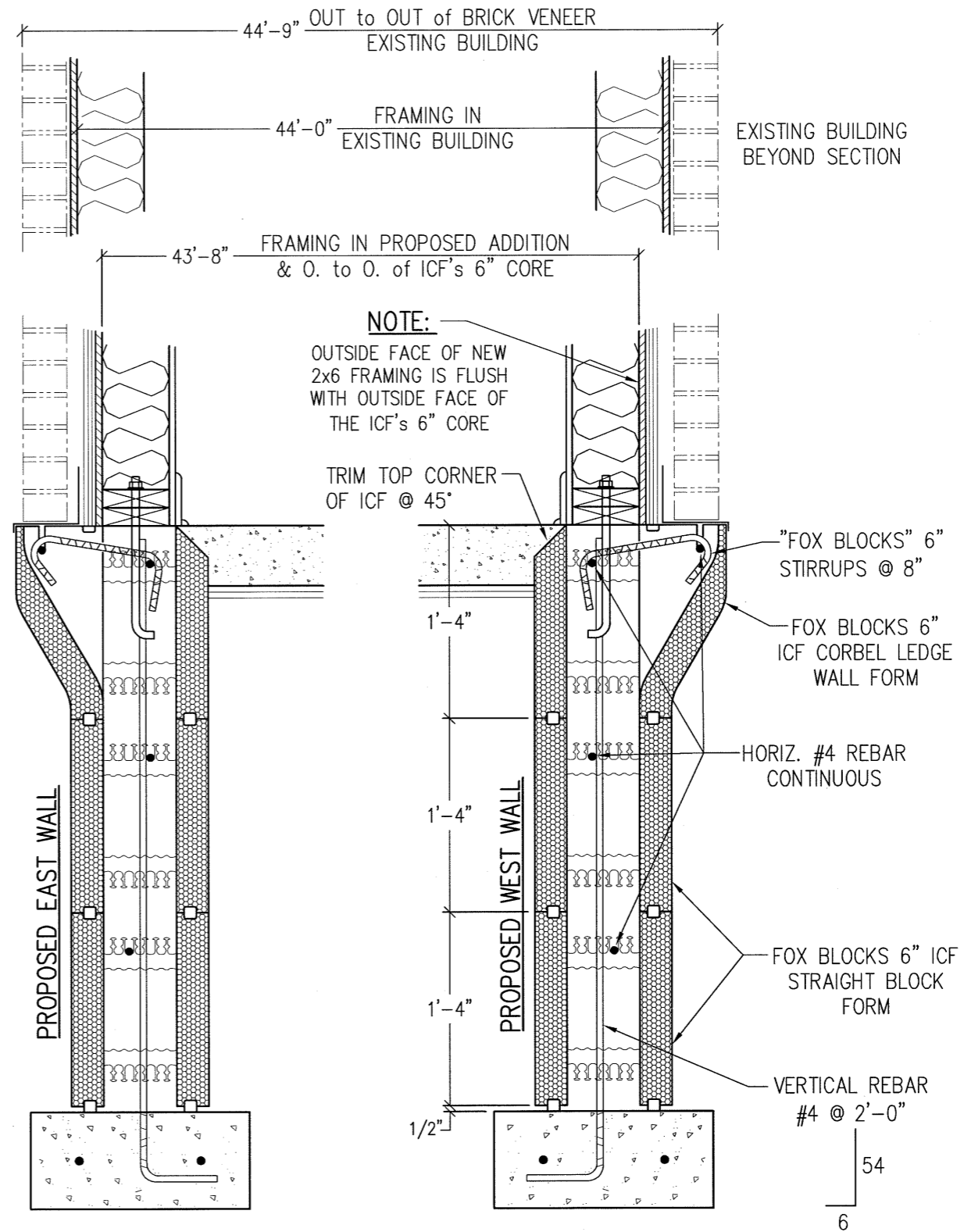
SHEET No. 24

RF1.1



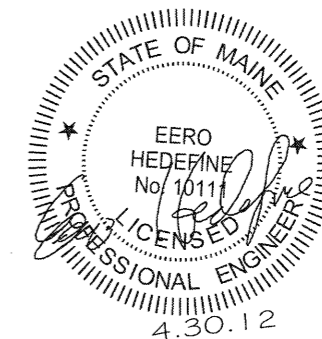
DETAILS OF NORTH WALL ARE SIMILAR TO THE EAST AND WEST WALLS

2 FOUNDATION SECTION (NORTH-SOUTH)
RF1.1 SCALE: 1"=1'-0"



DETAILS OF EAST WALL ARE SIMILAR TO THE WEST WALL

3 FOUNDATION SECTION (EAST-WEST)
RF1.1 SCALE: 1"=1'-0"



NO	DATE	REVISION	BY
8	4-1-12	THIS SHEET ADDED	WEM

SHEET TITLE
**FOUNDATION SECTIONS
 DETAILS**

PROJECT TITLE
**PORTLAND, MAINE - KINGDOM HALL
 REMODEL OF EXISTING HALL
 UNITED STATES OF AMERICA**

DWN BY: WEM	CKD BY: JMH
SCALE: 1 1/2"=1'-0"	
DATE: 4-15-2012	
CAD #: RF102_R8.dwg	
SHEET No.	25
RF1.2	