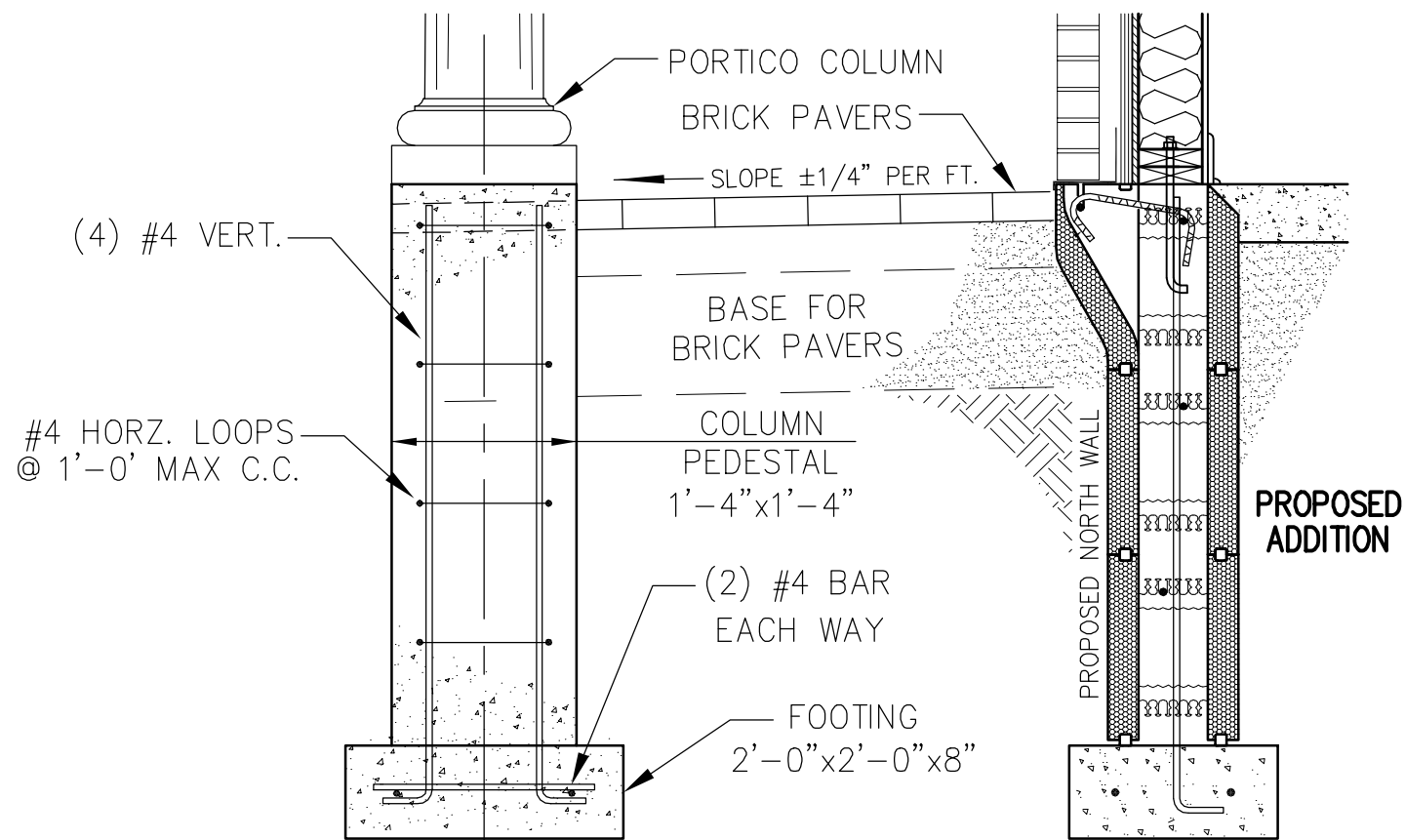
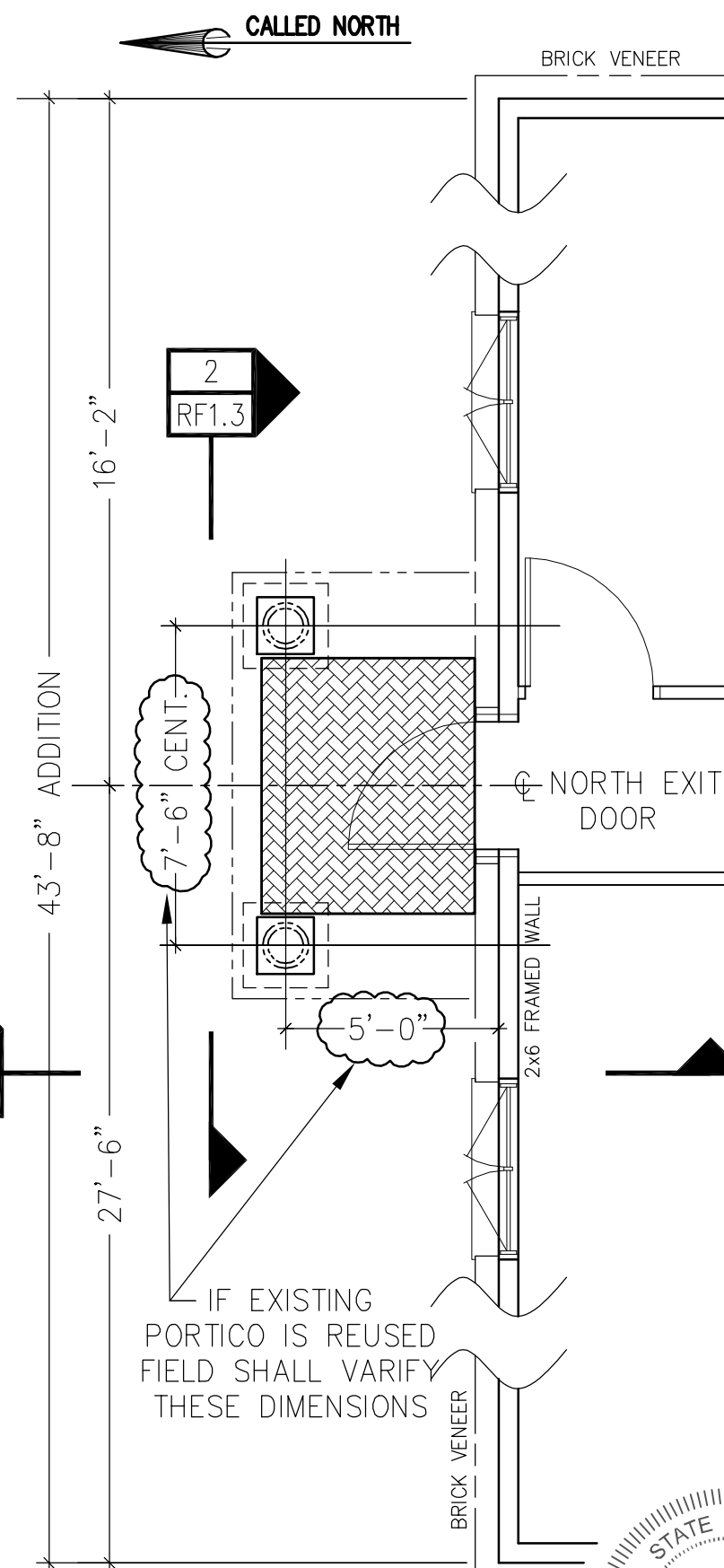


REUSE EXISTING STRUCTURAL COLUMNS, IF REPLACED USE TURNCRFT POLY-CLASSIC FIBERGLASS COLUMNS 10"Ø TUSCAN TAPERED SHAFT WITH "E-Z LOCK" TUSCAN CAP AND BASE

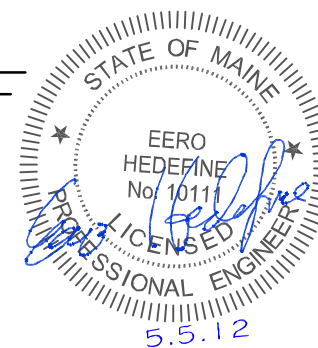
1 ELEVATION of NORTH PROTICO
RF1.3 SCALE: 1/4" = 1'-0"



3 SECTION of NORTH PROTICO FOUNDATION
RF1.3 SCALE: 3/4" = 1'-0"



1 PLAN VIEW of NORTH PROTICO
RF1.3 SCALE: 1/4" = 1'-0"



NO	DATE	REVISION	BY
8	5-5-12	THIS SHEET ADDED	JMH

FOUNDATION DETAILS
NORTH PROTICO

PORTLAND, ME. - KINGDOM HALL
REMODEL OF EXISTING HALL
UNITED STATES OF AMERICA

DWN BY: JMH CKD BY: JMH

SCALE: AS NOTED

DATE: 5-5-12

CAD #: RF103_R8.dwg

SHEET No.

RF1.3