

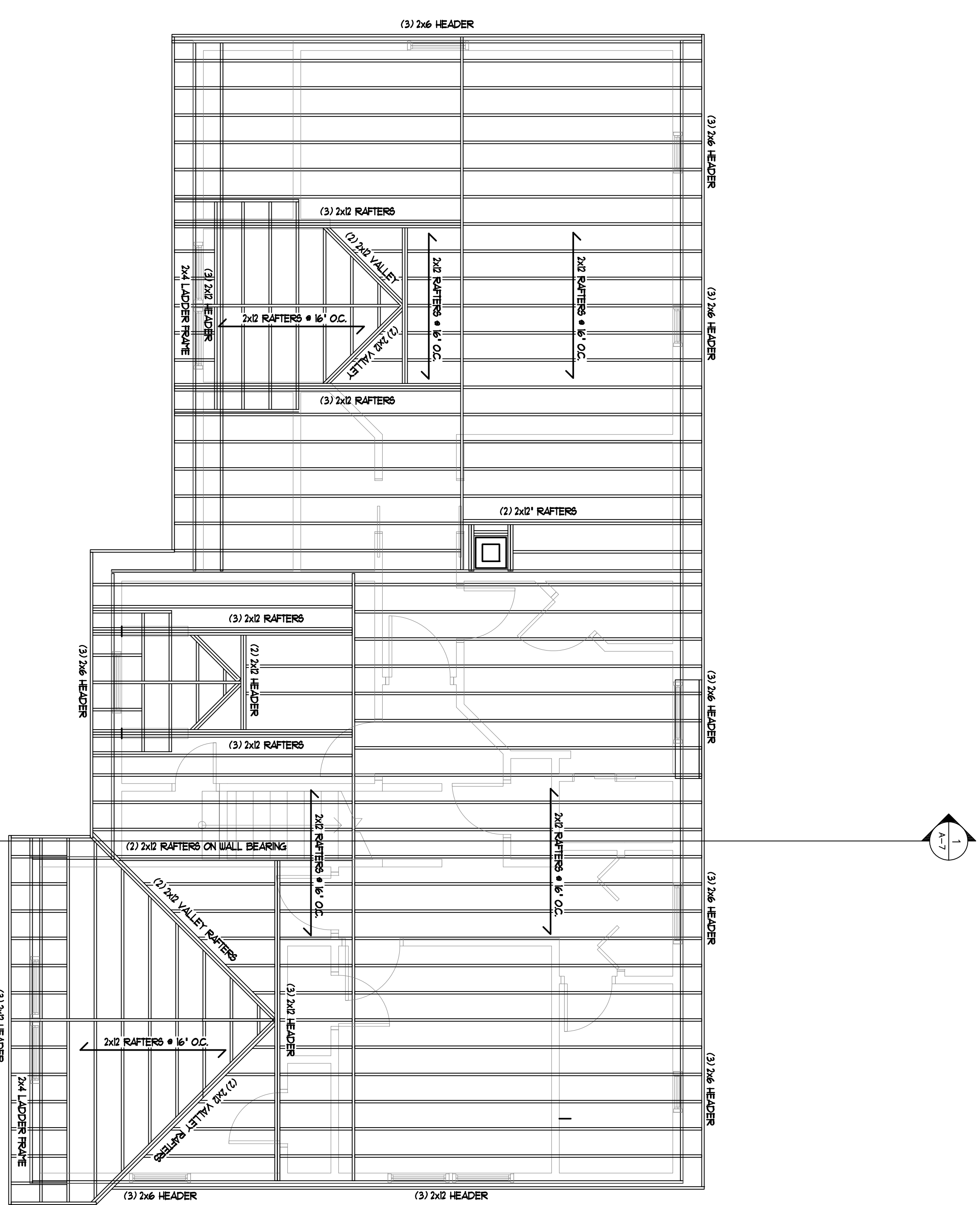
NEW RESIDENCE
KINEO STREET, PORTLAND, ME
MIKE MICHAUD

BY: JJO

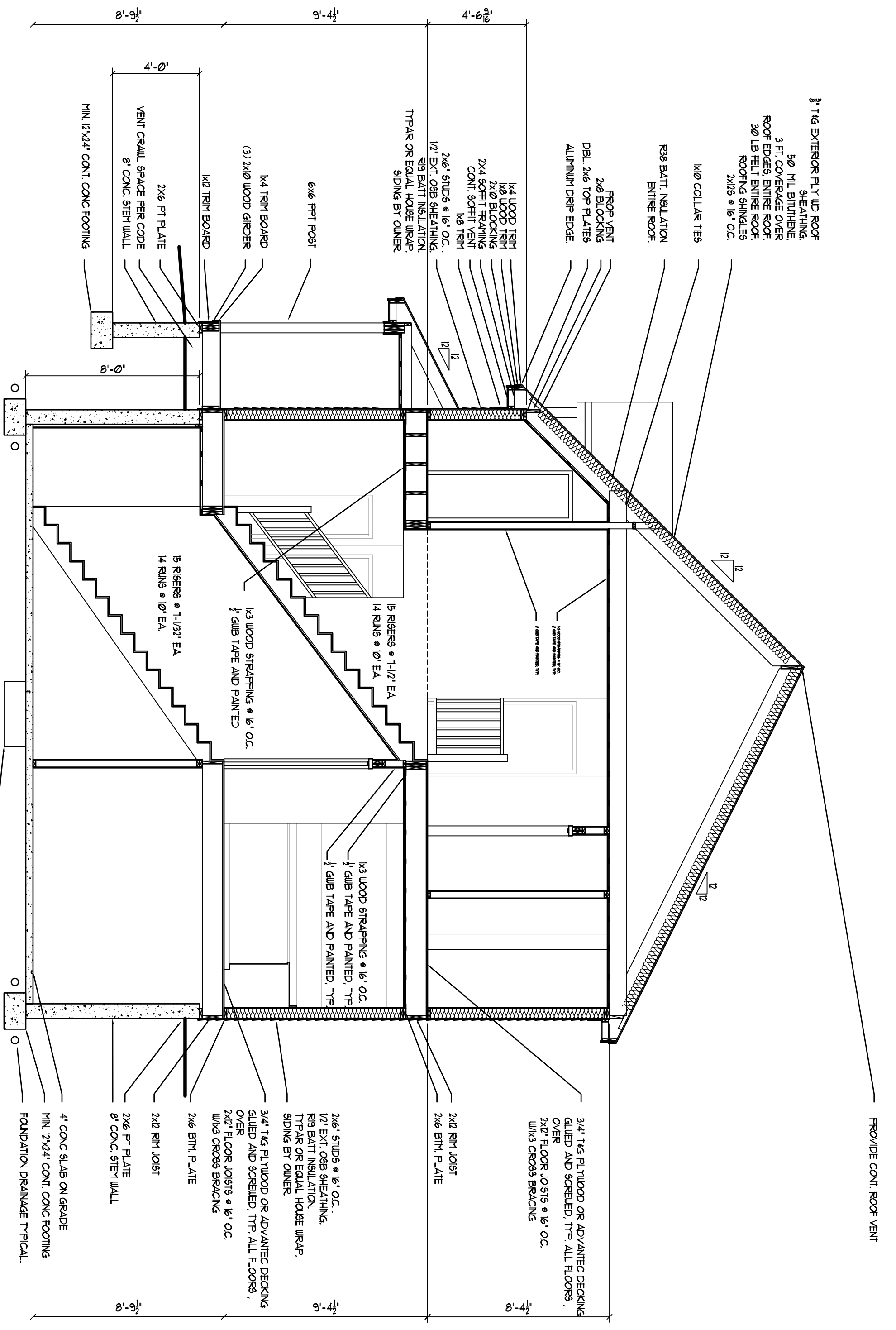
NO	REMARKS
A	ISSUED FOR PERMIT

DATE: 06/06/08
 CODE: IRC 2006
 TOWN: PORTLAND
 DATE: 06/06/08
 SCALE: AS NOTED
 DRAWN: JJO

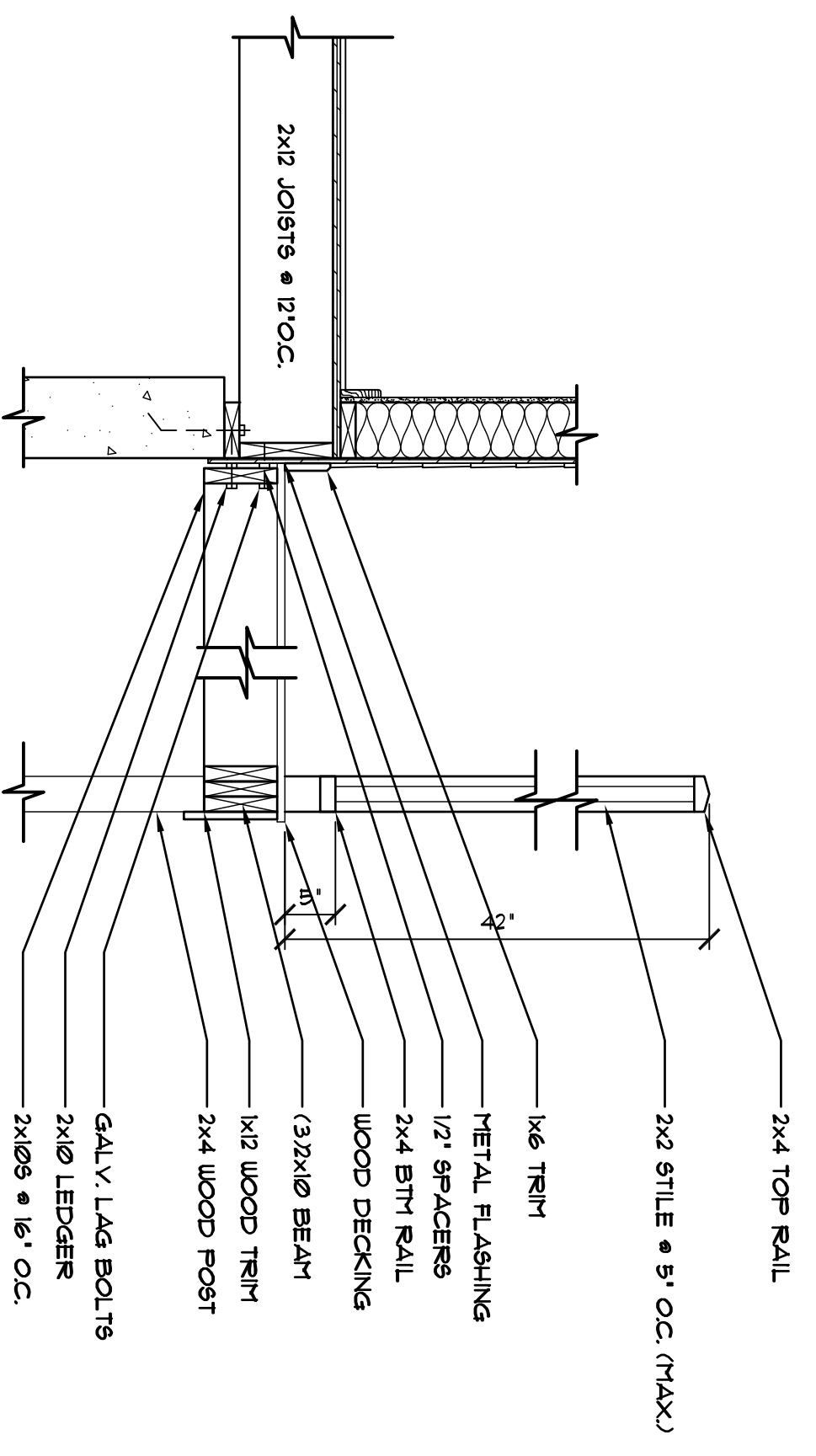
TITLE: ROOF FRAMING PLAN SECTION
 FILE: A-7
 SHEET: A-7



ROOF FRAMING PLAN
SCALE 1/4" = 1'-0"



BUILDING SECTION
SCALE 1/4" = 1'-0"



DECK FRAME DETAIL
SCALE 1/4" = 1'-0"

NOTE:

THE CONTRACTOR/OWNER ASSUMES ALL RESPONSIBILITY FOR LOCAL CODE COMPLIANCE. THIS DRAWING IS NOT TO BE USED FOR PERMITS OR OTHER REGULATORY AGENCIES. CLIENT'S BASED UPON INFORMATION PROVIDED BY THE CLIENT AND LOCAL CODES. NONE OF THE ENGINEER'S OR ARCHITECT'S RESPONSIBILITIES OR LIABILITY ARE ASSUMED BY THE CONTRACTOR/OWNER. THIS DRAWING IS NOT TO BE USED FOR PERMITS OR OTHER REGULATORY AGENCIES. CLIENT'S BASED UPON INFORMATION PROVIDED BY THE CLIENT AND LOCAL CODES. NONE OF THE ENGINEER'S OR ARCHITECT'S RESPONSIBILITIES OR LIABILITY ARE ASSUMED BY THE CONTRACTOR/OWNER. THIS DRAWING IS NOT TO BE USED FOR PERMITS OR OTHER REGULATORY AGENCIES. CLIENT'S BASED UPON INFORMATION PROVIDED BY THE CLIENT AND LOCAL CODES. NONE OF THE ENGINEER'S OR ARCHITECT'S RESPONSIBILITIES OR LIABILITY ARE ASSUMED BY THE CONTRACTOR/OWNER.

1. Contractor/owner responsible for securing all necessary permits.
2. Contractor/owner will comply with all applicable codes and ordinances.
3. Contractor/owner to verify all site grades and dimensions.