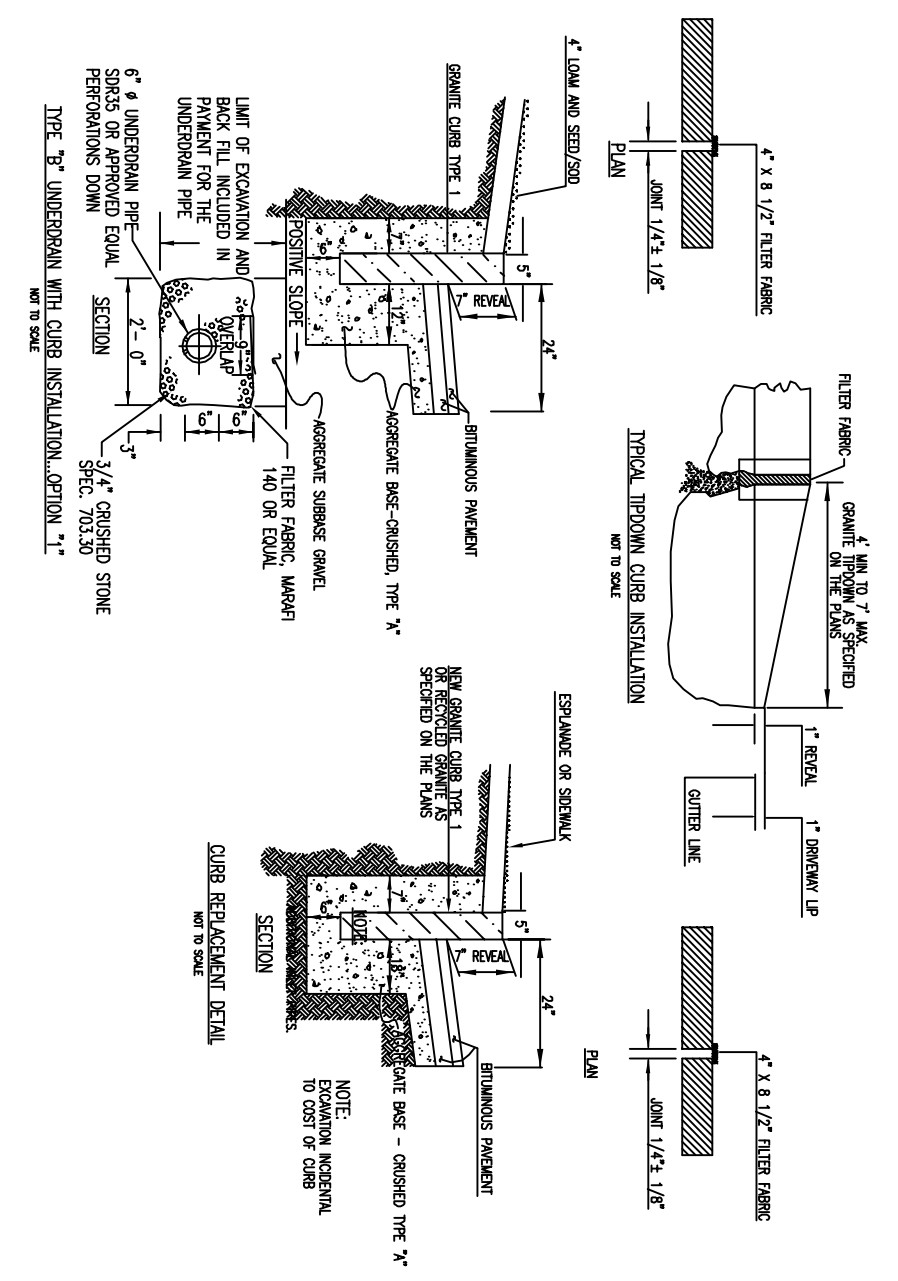


- INSTALLATION:**
1. EXCAVATE A 6" X 6" TRENCH ALONG THE LINE OF PLACEMENT FOR THE FILTER BARRIER.
 2. UNROLL A SECTION AT A TIME AND POSITION THE POSTS AGAINST THE BACK (DOWNSTREAM) WALL OF THE TRENCH.
 3. DRIVE POSTS INTO THE GROUND UNTIL APPROXIMATELY 2" OF FABRIC IS LYING ON THE SURFACE OF THE GROUND.
 4. LAY THE TRENCH AND FABRIC INTO THE UNEXCAVATED BOTTOM OF THE TRENCH. BACKFILL THE TRENCH AND TAMP THE SOIL. (ICE-IN CAN ALSO BE ACCOMPLISHED BY TAMPING THE FABRIC TO THE GROUND SURFACE AND TAMPING FILL AT THE SURFACE.)
 5. BARRIER SHALL BE WASH SILT FENCE OR EQUAL.

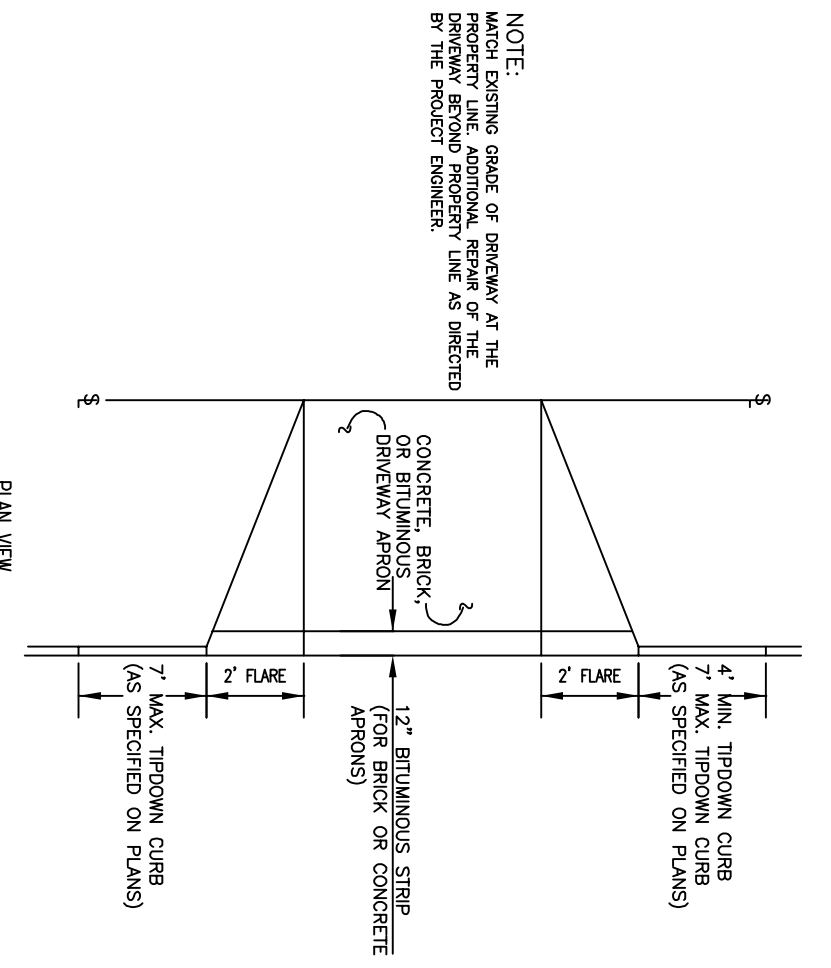
FILTER BARRIER
NOT TO SCALE

SILT FENCE DETAIL
NOT TO SCALE

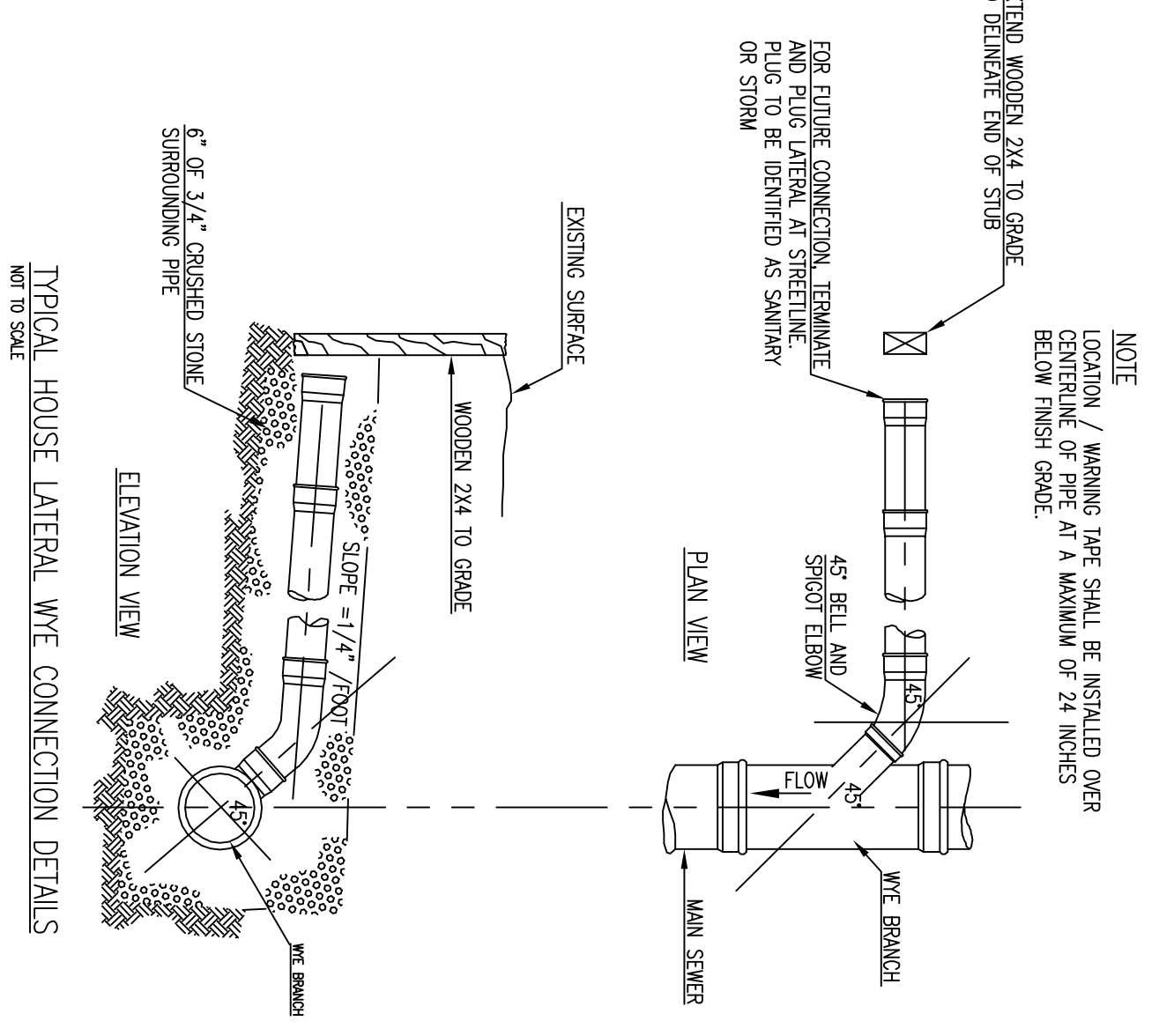


TYPICAL INSTALLATION OF CURB
NOT TO SCALE

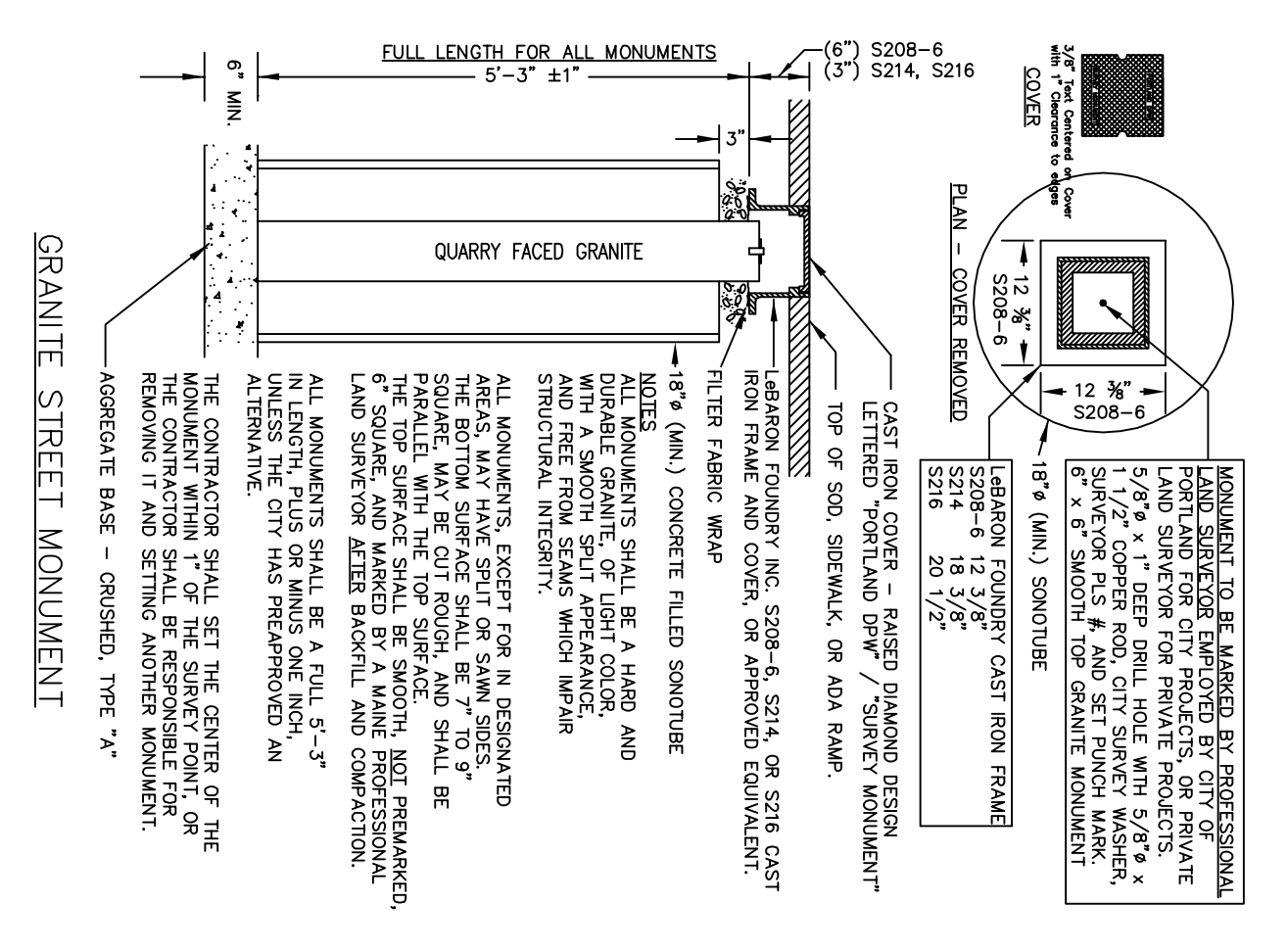
TYPICAL DRAINAGE APRON LAYOUT
NOT TO SCALE



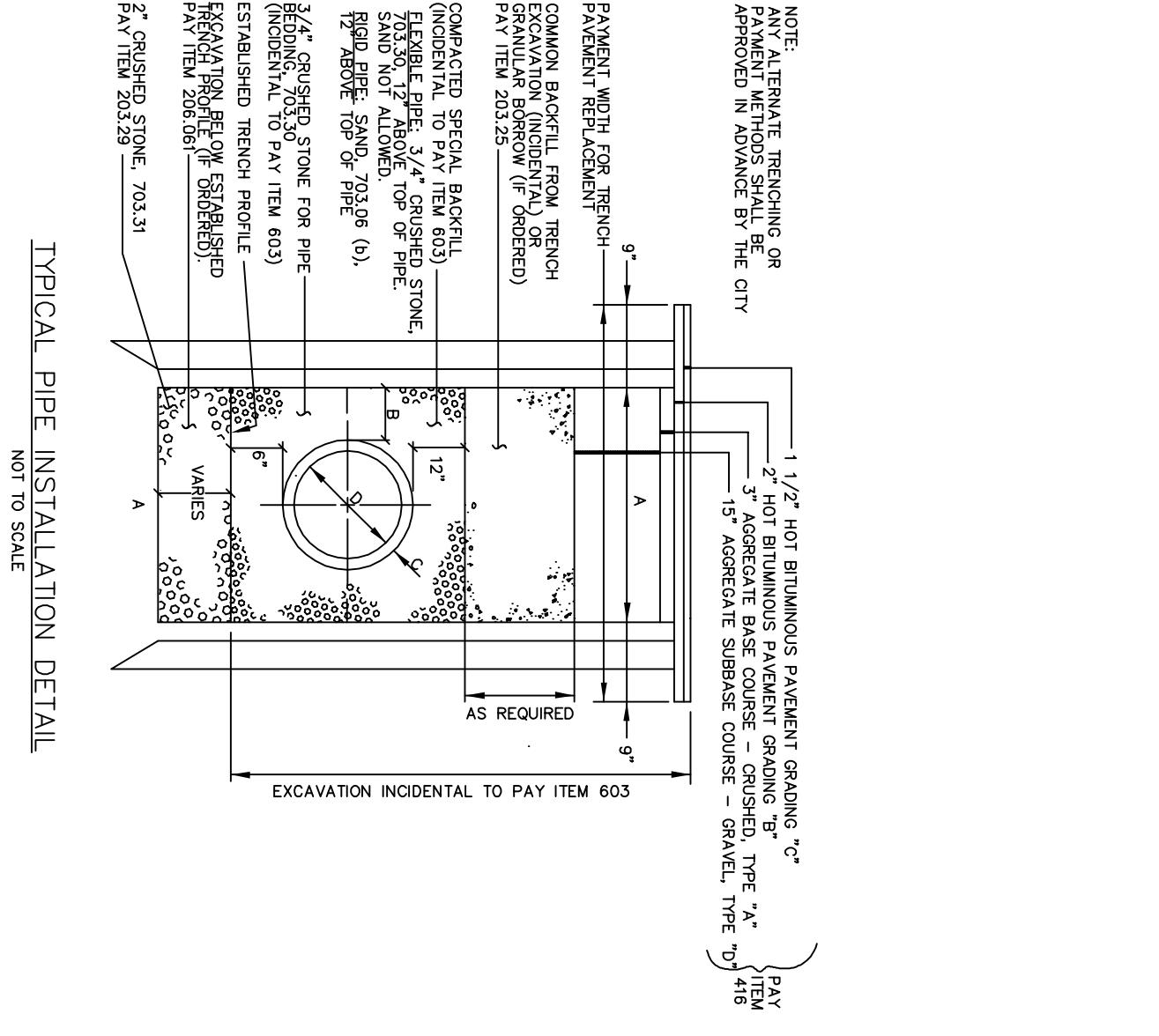
TYPICAL DRAINAGE SECTION
NOT TO SCALE



TYPICAL HOUSE LATERAL PIPE CONNECTION DETAILS
NOT TO SCALE

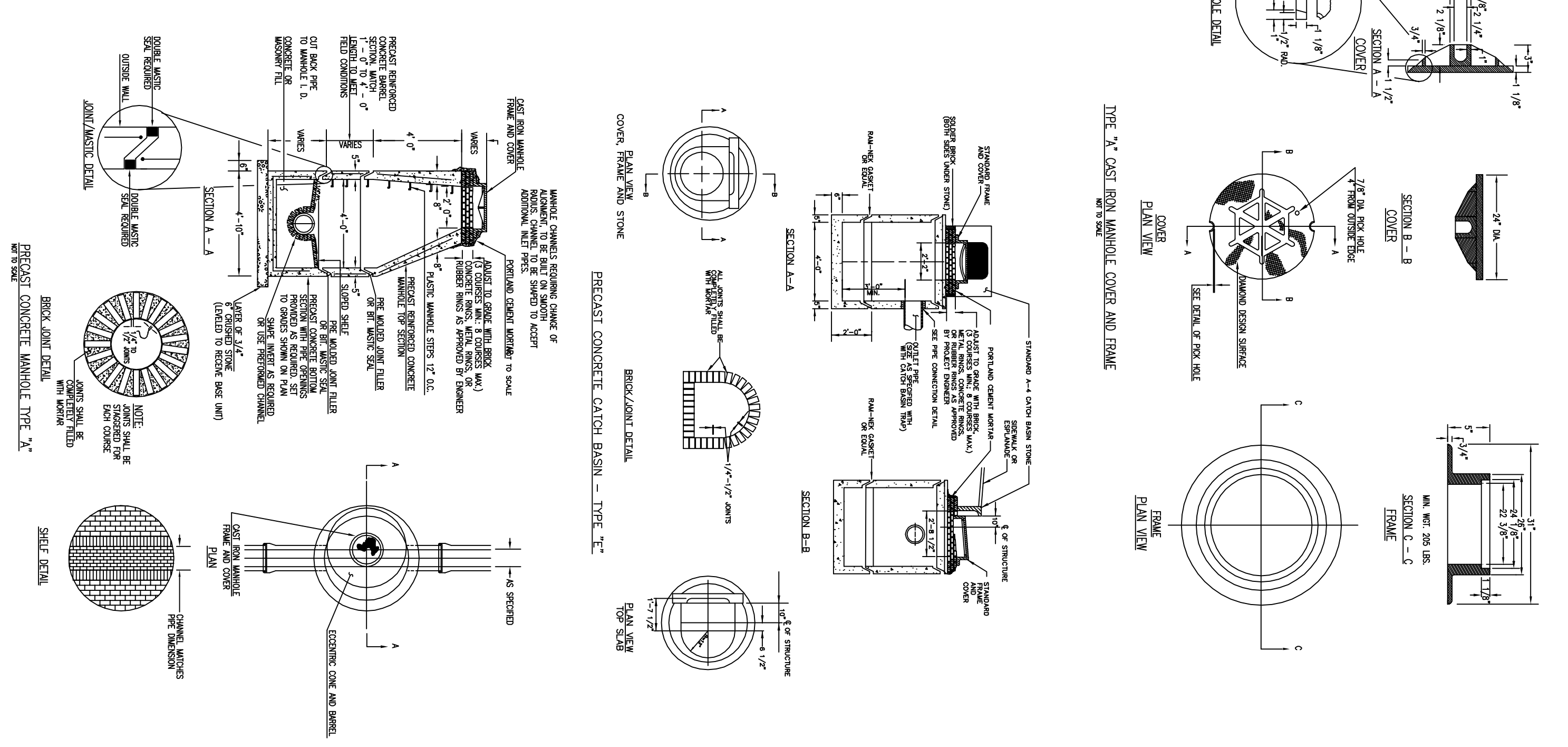


GRANITE STREET MONUMENT
NOT TO SCALE



TYPICAL PIPE INSTALLATION DETAIL
NOT TO SCALE

- GENERAL NOTES FOR MANHOLES AND CATCH BASINS**
1. ALL CONCRETE SHALL BE CLASS "C" AND SHALL BE CAST AND CURED IN ACCORDANCE WITH THE LATEST CONCRETE SPECIFICATION OF 4000 PSI. (SEE 901.00)
 2. PROJECT MANHOLE COVER SHALL BE MANUFACTURED PER ASTM A536.
 3. ALL PARTS OF CONCRETE EXCEPT FINISHED SURFACE SHALL RECEIVE A COARSE SAND FINISH.
 4. ALL MANHOLES SHALL HAVE A RINGSIDE INTERLOCKING APRON TO THE EXISTING SURFACE. IT IS THE RESPONSIBILITY OF THE CONTRACTOR TO VERIFY THE EXISTING SURFACE. THE SURFACE SHALL BE FINISHED TO THE FINISH GRADE. THE SURFACE SHALL BE FINISHED TO THE FINISH GRADE.
 5. 3/4" CRUSHED STONE FOR PERFORATED MANHOLE COVER SHALL BE 12" ABOVE THE FINISHED GRADE.
 6. 1/2" CRUSHED STONE FOR PERFORATED MANHOLE COVER SHALL BE 12" ABOVE THE FINISHED GRADE.
 7. ALL PROJECT MANHOLES AND CATCH BASINS SHALL BE EXCAVATED TO THE FINISHED GRADE.
 8. 3/4" CRUSHED STONE FOR PERFORATED MANHOLE COVER SHALL BE 12" ABOVE THE FINISHED GRADE.
 9. EXISTING MANHOLES, CATCH BASINS, RINGS, AND COVERS SHALL BE REPAIRED TO THE FINISHED GRADE.



PREPARED BY:
BACK BAY BOUNDARY, INC.
LAND SURVEYING
643 FOREST AVE.
PORTLAND, MAINE 04101
207-774-2855 FAX 207-347-4346

DRAWN BY: RTG
CHECKED BY: PJM
SCALE: NOT TO SCALE
SURVEY DATE: 01-04-06
JOB NUMBER: 2005147
SHEET: 5 OF 6
REV 7 DATE 04/05/2007

DETAIL SHEET
KINEO STREET, PORTLAND, MAINE
FOR:
MICHAEL MICHAUD

DRAWER: 2005 NO: 147