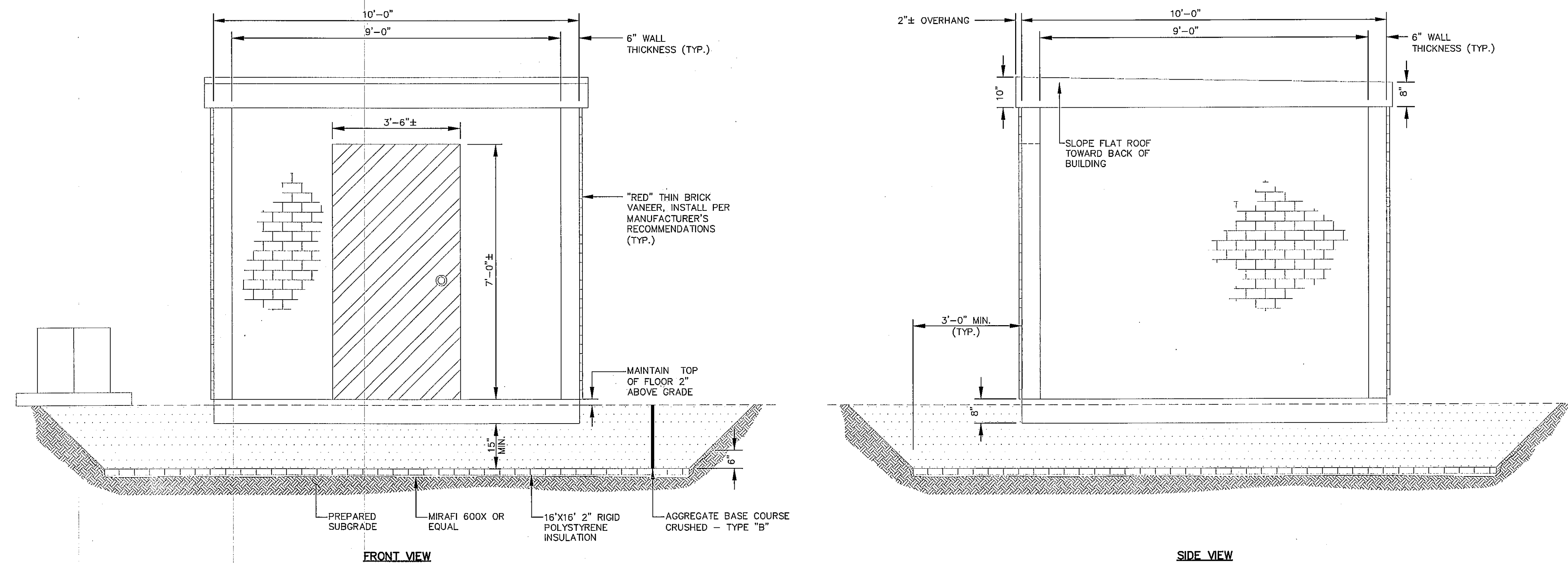


- NOTES:
1. INSTALL PRECAST CONCRETE BUILDING PER MANUFACTURER'S RECOMMENDATIONS.
  2. COORDINATE KNOCKOUT LOCATIONS FOR HYDRAULIC LINES, TELECOMMUNICATION CABLES & ELECTRIC LINES WITH PRECAST CONCRETE BUILDING MANUFACTURER.
  3. REMOVE ONLY ENOUGH VEGETATION NEEDED TO INSTALL THE PRECAST CONCRETE BUILDING. PROTECT ADJACENT TREES, PAYING CAREFUL ATTENTION TO THE 38" TREE SOUTH OF THE BUILDING AND ALONG BAXTER BOULEVARD. FINISHED GRADE AT PERIMETER OF BUILDING SHALL MATCH EXISTING GRADE.



CSO CONTROL ROOM  
NOT TO SCALE

LDD PROJECT NAME:  
BAXTER BOULEVARD  
NORTH STORAGE CONDUIT  
DRAWING NAME:  
09006D  
FIELD BOOK USED:  
N/A

REFERENCES:

DESIGNED BY:  
CAB  
DRAWN BY:  
CAB  
CHECKED BY:  
CAB  
SCALE:  
AS NOTED  
DATE:  
08-10-2012

BAXTER BOULEVARD  
NORTH STORAGE CONDUIT  
CSO CONTROL ROOM  
CONSTRUCTION DETAILS

NOT FOR CONSTRUCTION

CITY OF PORTLAND, MAINE  
PUBLIC WORKS DEPARTMENT  
ENGINEERING DIVISION



SHEET #  
31 OF #PGS  
PLAN NUMBER  
VPLAN#