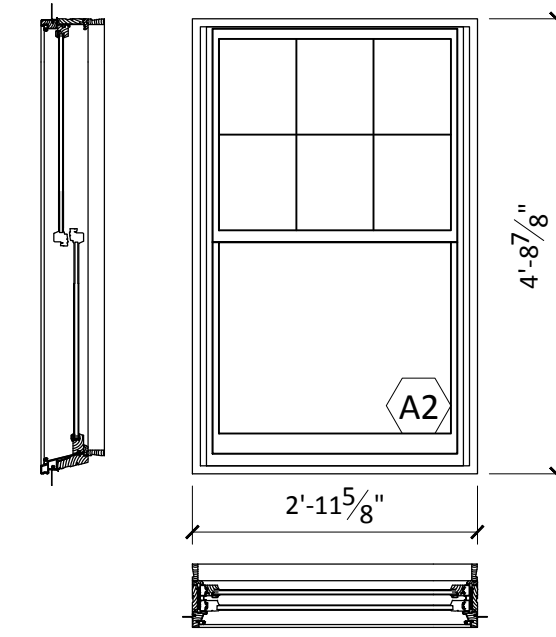
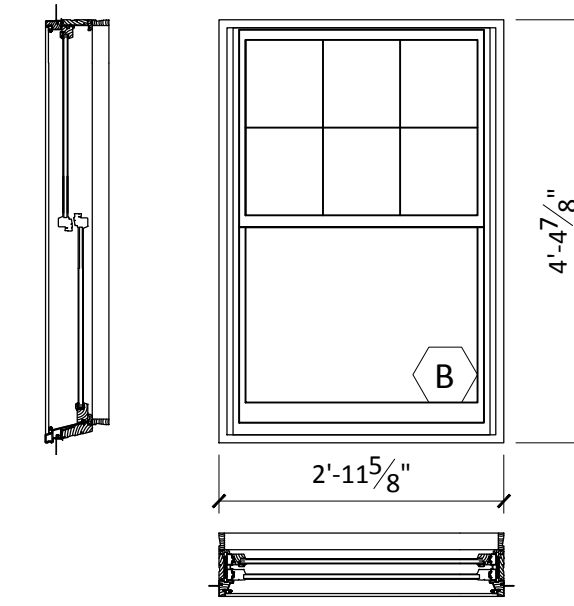


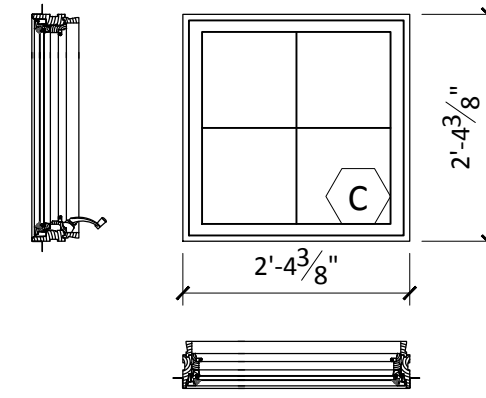
TW21046
DBL HUNG
1ST FL
FRAME SIZE 2'-11 5/8"W X 4'-8 7/8"H
GLASS SIZE 29"W X 23 15/16"H
R.O. 2'-10 1/2"W X 4'-8 7/8"H
TEMPERED GLASS
U: 0.29 BTU/H•FT²•F°
SHGC: 0.28
VT: 0.47
QTY: 3



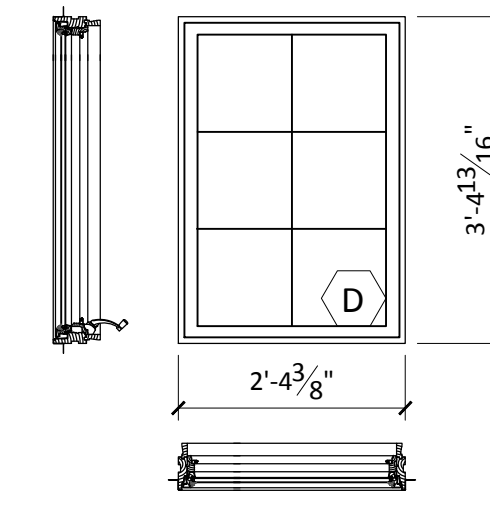
TW21046
DBL HUNG
1ST FL
FRAME SIZE 2'-11 5/8"W X 4'-8 7/8"H
GLASS SIZE 29"W X 23 15/16"H
R.O. 2'-10 1/2"W X 4'-8 7/8"H
U: 0.3 BTU/H•FT²•F°
SHGC: 0.28
VT: 0.48
QTY: 4



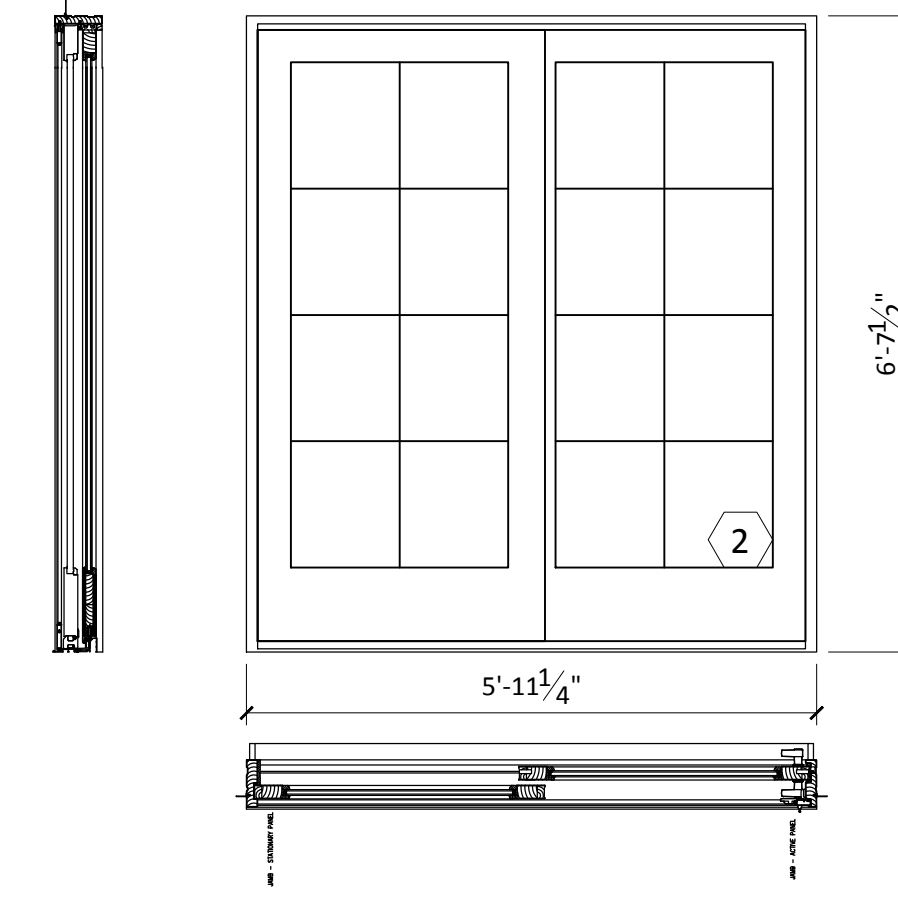
TW21042
DBL HUNG
2ND FL
FRAME SIZE 2'-11 5/8"W X 4'-4 7/8"H
GLASS SIZE 29"W X 21 15/16"H
R.O. 3'-0 1/2"W X 4'-4 7/8"H
U: 0.3 BTU/H•FT²•F°
SHGC: 0.28
VT: 0.48
QTY: 5



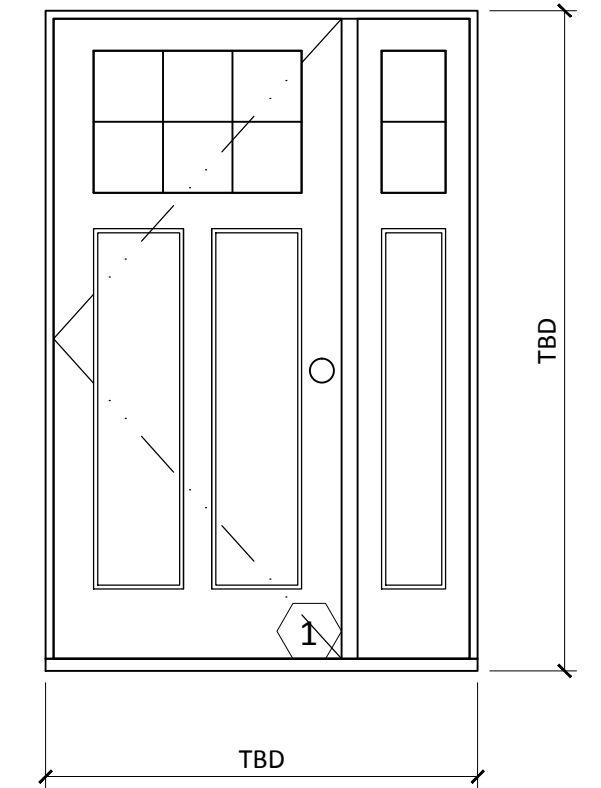
AW251
AWNING (FIXED)
FRAME SIZE 2'-4 3/8"W X 2'-4 3/8"H
GLASS SIZE 23 3/16"W X 24"H
R.O. 2'-4 7/8"W X 2'-4 7/8"H
U: 0.28 BTU/H•FT²•F°
SHGC: 0.28
VT: 0.48
QTY: 4



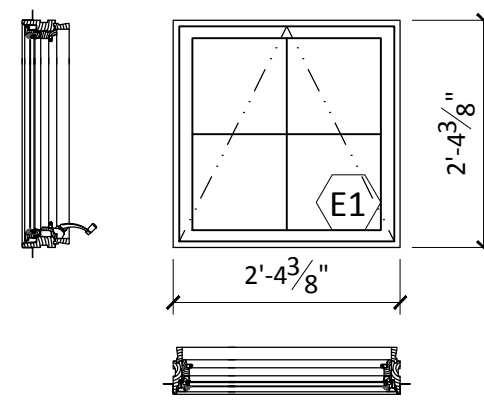
CW135
CASEMENT (FIXED)
GARAGE DORMER
FRAME SIZE 2'-4 3/8"W X 3'-4 13/16"H
GLASS SIZE 24"W X 36"H
R.O. 2'-4 7/8"W X 3'-5 3/8"H
U: 0.28 BTU/H•FT²•F°
SHGC: 0.29
VT: 0.49
QTY: 1



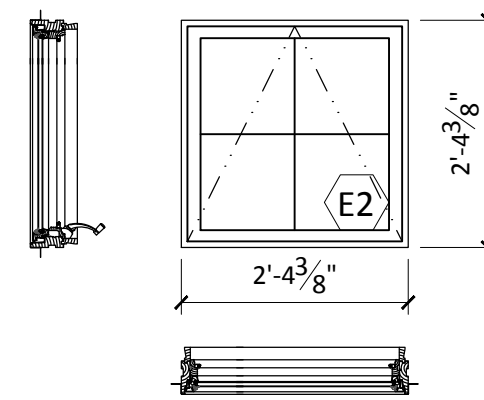
ANDERSEN FWG6068L
SLIDING DOOR
OFFICE
FRAME SIZE 5'-11 1/4"W X 6'-7 1/2"H
GLASS SIZE 27 3/8" X 63 3/8"
R.O. 6'-0"W X 6'-8"H
U: 0.3 BTU/H•FT²•F°
SHGC: 0.23
VT: 0.38
QTY: 1



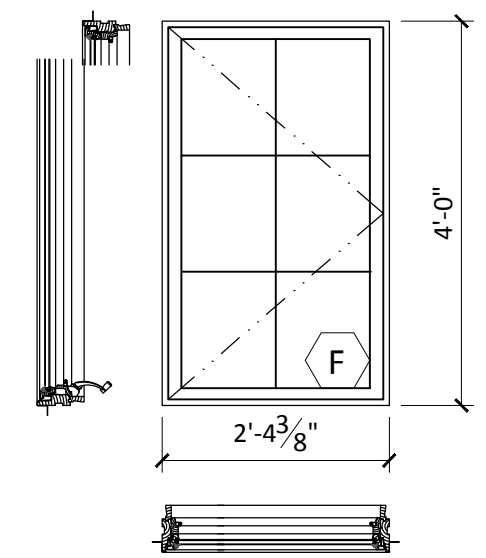
SIMPSON 7662 DOOR WITH
(1) 7663 14" SIDE LIGHT
FRONT ENTRY
THERMAL SASH WITH ARGON
TRUE DIVIDED LIGHT
SIDE LIGHT PANES TO BE
SAME WIDTH AS DOOR PANES
DOOR 3'-0 X 6'-8
LEFT HAND INSWING
FRAME SIZE AND R.O. TBD BY MANUFACTURER
U: 0.43 BTU/H•FT²•F°
SHGC: 0.07
VT: N/A
QTY: 1



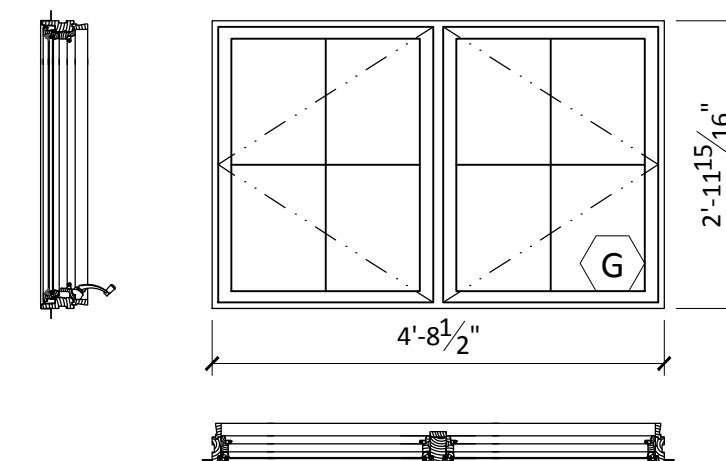
AW251
AWNING
FRAME SIZE 2'-4 3/8"W X 2'-4 3/8"H
GLASS SIZE 23 3/16"W X 24"H
R.O. 2'-4 7/8"W X 2'-4 7/8"H
TEMPERED GLASS
U: 0.29 BTU/H•FT²•F°
SHGC: 0.28
VT: 0.48
QTY: 4



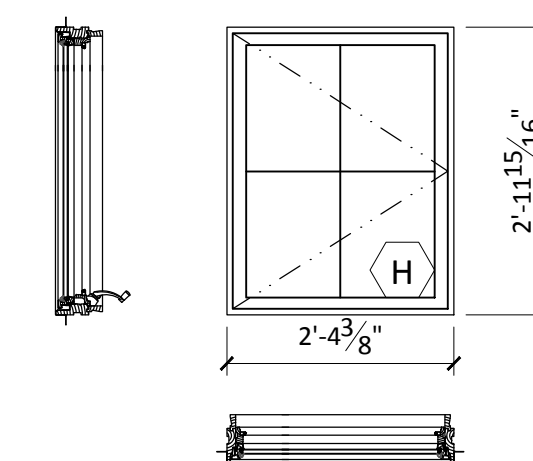
AW251
AWNING
FRAME SIZE 2'-4 3/8"W X 2'-4 3/8"H
GLASS SIZE 23 3/16"W X 24"H
R.O. 2'-4 7/8"W X 2'-4 7/8"H
U: 0.28 BTU/H•FT²•F°
SHGC: 0.28
VT: 0.48
QTY: 4



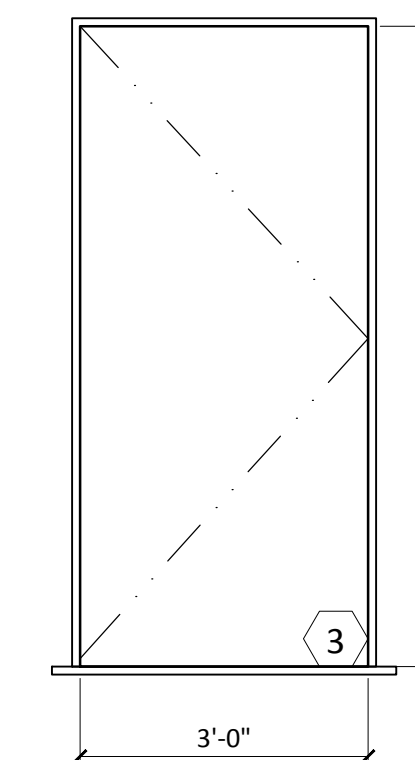
CW14
CASEMENT (EGRESS)
2ND FL
FRAME SIZE 2'-4 3/8"W X 4'-0"H
GLASS SIZE 24"W X 43 3/16"H
R.O. 2'-4 7/8"W X 4'-0 1/2"H
U: 0.28 BTU/H•FT²•F°
SHGC: 0.29
VT: 0.49
QTY: 2



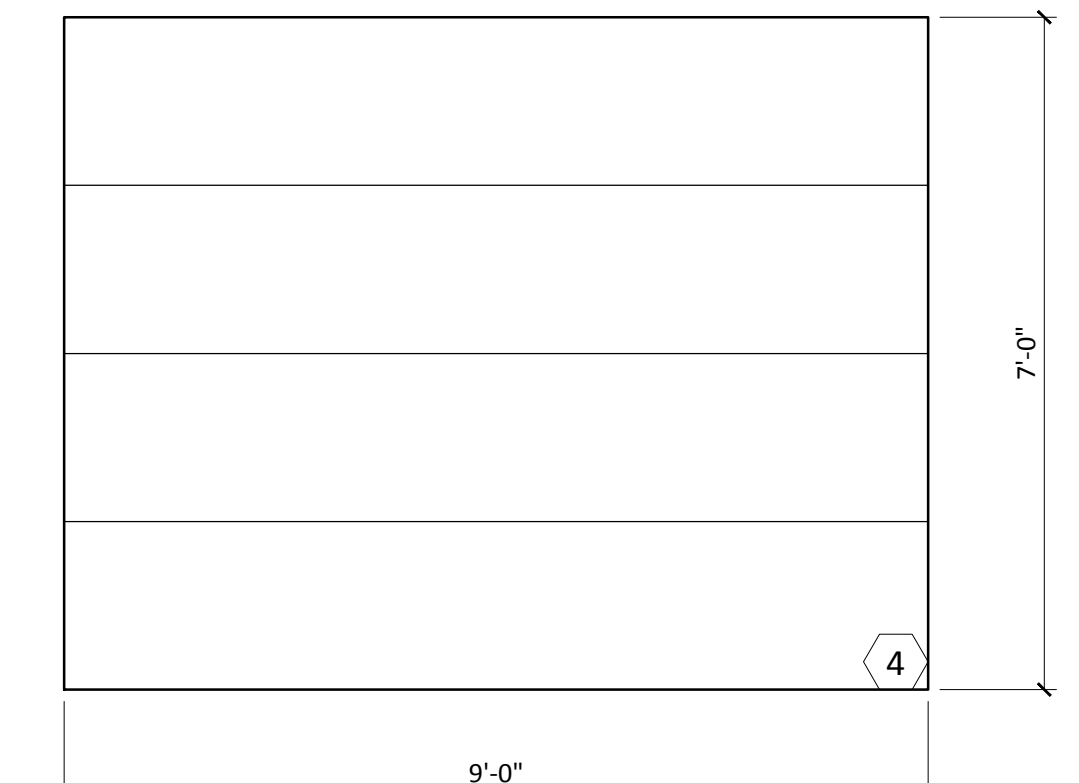
CW23
CASEMENT
KITCHEN
FRAME SIZE 4'-8 1/2"W X 2'-11 15/16"H
GLASS SIZE 24"W X 31 1/8"H
R.O. 4'-9"W X 3'-0 1/2"H
U: 0.28 BTU/H•FT²•F°
SHGC: 0.29
VT: 0.49
QTY: 1



CW13
CASEMENT
OFFICE
FRAME SIZE 2'-4 3/8"W X 2'-11 15/16"H
GLASS SIZE 24"W X 31 1/8"H
R.O. 2'-4 7/8"W X 3'-0 1/2"H
U: 0.28 BTU/H•FT²•F°
SHGC: 0.29
VT: 0.49
QTY: 1



THERMATRU SMOOTH STAR S100
GARAGE
FLUSH INSULATED DOOR
3'-0 X 6'-8
LEFT HAND OUTSWING
NRFC INFO: N/A
QTY: 1



OVERHEAD DOOR
GARAGE
9'-0 X 7'-0
FLUSH PANELS
DETAILS TBD
NRFC INFO: N/A
QTY: 2

WINDOWS: ANDERSEN 400 SERIES
7/8" SIMULATED DIVIDED LIGHTS WITH SPACER
CUSTOM LIGHT CUTS AS SHOWN
LOWE-4 COATING, ALL WINDOWS
WHITE EXTERIOR
PREFINISHED WHITE INTERIOR
4 9/16" JAMBS
CASE ON SITE WITH 5/4 X 4 SIDES AND HEAD, 1 1/2" SILL
SITE MULLED UNITS SPACED 4" FRAME TO FRAME WITH
DOUBLE STUDS FOR FLANGE NAILING

1 WINDOW AND DOOR SCHEDULE
1/2" = 1'-0"

